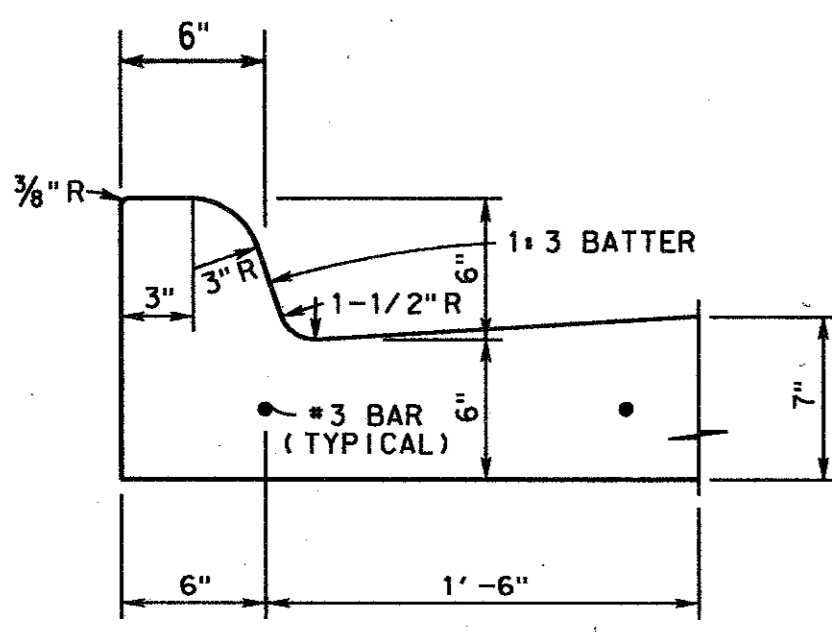


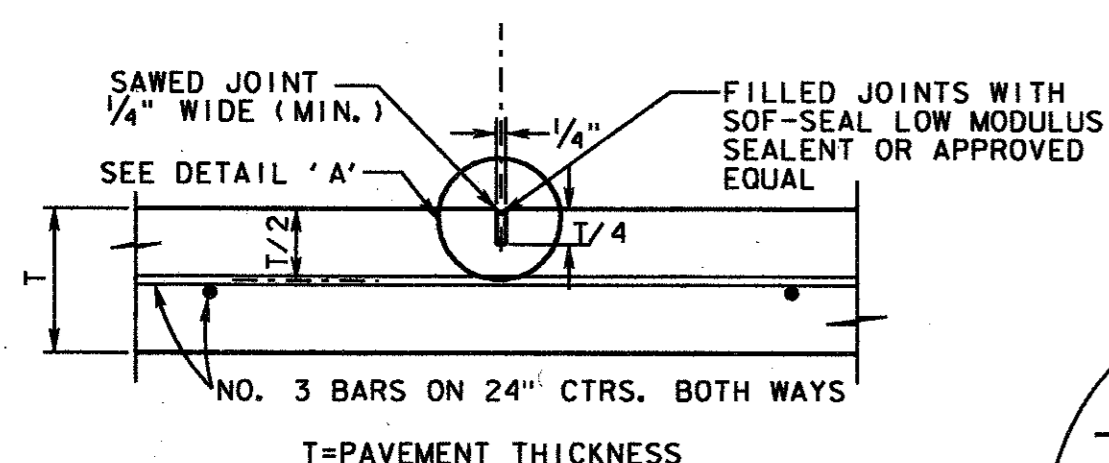
1. AND, FOR USE IN THE STATE OF TEXAS, THE ENGINEER'S SEAL AND SIGNATURE SHALL BE PLACED IN THE SPACE PROVIDED HEREON.
 2. THE ENGINEER'S SEAL AND SIGNATURE SHALL BE PLACED IN THE SPACE PROVIDED HEREON.
 3. THE ENGINEER'S SEAL AND SIGNATURE SHALL BE PLACED IN THE SPACE PROVIDED HEREON.
 4. THE ENGINEER'S SEAL AND SIGNATURE SHALL BE PLACED IN THE SPACE PROVIDED HEREON.
 5. THE ENGINEER'S SEAL AND SIGNATURE SHALL BE PLACED IN THE SPACE PROVIDED HEREON.
 6. THE ENGINEER'S SEAL AND SIGNATURE SHALL BE PLACED IN THE SPACE PROVIDED HEREON.
 7. THE ENGINEER'S SEAL AND SIGNATURE SHALL BE PLACED IN THE SPACE PROVIDED HEREON.
 8. THE ENGINEER'S SEAL AND SIGNATURE SHALL BE PLACED IN THE SPACE PROVIDED HEREON.
 9. THE ENGINEER'S SEAL AND SIGNATURE SHALL BE PLACED IN THE SPACE PROVIDED HEREON.
 10. THE ENGINEER'S SEAL AND SIGNATURE SHALL BE PLACED IN THE SPACE PROVIDED HEREON.
 11. THE ENGINEER'S SEAL AND SIGNATURE SHALL BE PLACED IN THE SPACE PROVIDED HEREON.
 12. THE ENGINEER'S SEAL AND SIGNATURE SHALL BE PLACED IN THE SPACE PROVIDED HEREON.
 13. THE ENGINEER'S SEAL AND SIGNATURE SHALL BE PLACED IN THE SPACE PROVIDED HEREON.
 14. THE ENGINEER'S SEAL AND SIGNATURE SHALL BE PLACED IN THE SPACE PROVIDED HEREON.
 15. THE ENGINEER'S SEAL AND SIGNATURE SHALL BE PLACED IN THE SPACE PROVIDED HEREON.
 16. THE ENGINEER'S SEAL AND SIGNATURE SHALL BE PLACED IN THE SPACE PROVIDED HEREON.
 17. THE ENGINEER'S SEAL AND SIGNATURE SHALL BE PLACED IN THE SPACE PROVIDED HEREON.
 18. THE ENGINEER'S SEAL AND SIGNATURE SHALL BE PLACED IN THE SPACE PROVIDED HEREON.
 19. THE ENGINEER'S SEAL AND SIGNATURE SHALL BE PLACED IN THE SPACE PROVIDED HEREON.
 20. THE ENGINEER'S SEAL AND SIGNATURE SHALL BE PLACED IN THE SPACE PROVIDED HEREON.
 21. THE ENGINEER'S SEAL AND SIGNATURE SHALL BE PLACED IN THE SPACE PROVIDED HEREON.
 22. THE ENGINEER'S SEAL AND SIGNATURE SHALL BE PLACED IN THE SPACE PROVIDED HEREON.
 23. THE ENGINEER'S SEAL AND SIGNATURE SHALL BE PLACED IN THE SPACE PROVIDED HEREON.
 24. THE ENGINEER'S SEAL AND SIGNATURE SHALL BE PLACED IN THE SPACE PROVIDED HEREON.
 25. THE ENGINEER'S SEAL AND SIGNATURE SHALL BE PLACED IN THE SPACE PROVIDED HEREON.
 26. THE ENGINEER'S SEAL AND SIGNATURE SHALL BE PLACED IN THE SPACE PROVIDED HEREON.
 27. THE ENGINEER'S SEAL AND SIGNATURE SHALL BE PLACED IN THE SPACE PROVIDED HEREON.
 28. THE ENGINEER'S SEAL AND SIGNATURE SHALL BE PLACED IN THE SPACE PROVIDED HEREON.
 29. THE ENGINEER'S SEAL AND SIGNATURE SHALL BE PLACED IN THE SPACE PROVIDED HEREON.
 30. THE ENGINEER'S SEAL AND SIGNATURE SHALL BE PLACED IN THE SPACE PROVIDED HEREON.
 31. THE ENGINEER'S SEAL AND SIGNATURE SHALL BE PLACED IN THE SPACE PROVIDED HEREON.
 32. THE ENGINEER'S SEAL AND SIGNATURE SHALL BE PLACED IN THE SPACE PROVIDED HEREON.
 33. THE ENGINEER'S SEAL AND SIGNATURE SHALL BE PLACED IN THE SPACE PROVIDED HEREON.
 34. THE ENGINEER'S SEAL AND SIGNATURE SHALL BE PLACED IN THE SPACE PROVIDED HEREON.
 35. THE ENGINEER'S SEAL AND SIGNATURE SHALL BE PLACED IN THE SPACE PROVIDED HEREON.
 36. THE ENGINEER'S SEAL AND SIGNATURE SHALL BE PLACED IN THE SPACE PROVIDED HEREON.
 37. THE ENGINEER'S SEAL AND SIGNATURE SHALL BE PLACED IN THE SPACE PROVIDED HEREON.
 38. THE ENGINEER'S SEAL AND SIGNATURE SHALL BE PLACED IN THE SPACE PROVIDED HEREON.
 39. THE ENGINEER'S SEAL AND SIGNATURE SHALL BE PLACED IN THE SPACE PROVIDED HEREON.
 40. THE ENGINEER'S SEAL AND SIGNATURE SHALL BE PLACED IN THE SPACE PROVIDED HEREON.
 41. THE ENGINEER'S SEAL AND SIGNATURE SHALL BE PLACED IN THE SPACE PROVIDED HEREON.
 42. THE ENGINEER'S SEAL AND SIGNATURE SHALL BE PLACED IN THE SPACE PROVIDED HEREON.
 43. THE ENGINEER'S SEAL AND SIGNATURE SHALL BE PLACED IN THE SPACE PROVIDED HEREON.
 44. THE ENGINEER'S SEAL AND SIGNATURE SHALL BE PLACED IN THE SPACE PROVIDED HEREON.
 45. THE ENGINEER'S SEAL AND SIGNATURE SHALL BE PLACED IN THE SPACE PROVIDED HEREON.
 46. THE ENGINEER'S SEAL AND SIGNATURE SHALL BE PLACED IN THE SPACE PROVIDED HEREON.
 47. THE ENGINEER'S SEAL AND SIGNATURE SHALL BE PLACED IN THE SPACE PROVIDED HEREON.
 48. THE ENGINEER'S SEAL AND SIGNATURE SHALL BE PLACED IN THE SPACE PROVIDED HEREON.
 49. THE ENGINEER'S SEAL AND SIGNATURE SHALL BE PLACED IN THE SPACE PROVIDED HEREON.
 50. THE ENGINEER'S SEAL AND SIGNATURE SHALL BE PLACED IN THE SPACE PROVIDED HEREON.
 51. THE ENGINEER'S SEAL AND SIGNATURE SHALL BE PLACED IN THE SPACE PROVIDED HEREON.
 52. THE ENGINEER'S SEAL AND SIGNATURE SHALL BE PLACED IN THE SPACE PROVIDED HEREON.
 53. THE ENGINEER'S SEAL AND SIGNATURE SHALL BE PLACED IN THE SPACE PROVIDED HEREON.
 54. THE ENGINEER'S SEAL AND SIGNATURE SHALL BE PLACED IN THE SPACE PROVIDED HEREON.
 55. THE ENGINEER'S SEAL AND SIGNATURE SHALL BE PLACED IN THE SPACE PROVIDED HEREON.
 56. THE ENGINEER'S SEAL AND SIGNATURE SHALL BE PLACED IN THE SPACE PROVIDED HEREON.
 57. THE ENGINEER'S SEAL AND SIGNATURE SHALL BE PLACED IN THE SPACE PROVIDED HEREON.
 58. THE ENGINEER'S SEAL AND SIGNATURE SHALL BE PLACED IN THE SPACE PROVIDED HEREON.
 59. THE ENGINEER'S SEAL AND SIGNATURE SHALL BE PLACED IN THE SPACE PROVIDED HEREON.
 60. THE ENGINEER'S SEAL AND SIGNATURE SHALL BE PLACED IN THE SPACE PROVIDED HEREON.
 61. THE ENGINEER'S SEAL AND SIGNATURE SHALL BE PLACED IN THE SPACE PROVIDED HEREON.
 62. THE ENGINEER'S SEAL AND SIGNATURE SHALL BE PLACED IN THE SPACE PROVIDED HEREON.
 63. THE ENGINEER'S SEAL AND SIGNATURE SHALL BE PLACED IN THE SPACE PROVIDED HEREON.
 64. THE ENGINEER'S SEAL AND SIGNATURE SHALL BE PLACED IN THE SPACE PROVIDED HEREON.
 65. THE ENGINEER'S SEAL AND SIGNATURE SHALL BE PLACED IN THE SPACE PROVIDED HEREON.
 66. THE ENGINEER'S SEAL AND SIGNATURE SHALL BE PLACED IN THE SPACE PROVIDED HEREON.
 67. THE ENGINEER'S SEAL AND SIGNATURE SHALL BE PLACED IN THE SPACE PROVIDED HEREON.
 68. THE ENGINEER'S SEAL AND SIGNATURE SHALL BE PLACED IN THE SPACE PROVIDED HEREON.
 69. THE ENGINEER'S SEAL AND SIGNATURE SHALL BE PLACED IN THE SPACE PROVIDED HEREON.
 70. THE ENGINEER'S SEAL AND SIGNATURE SHALL BE PLACED IN THE SPACE PROVIDED HEREON.
 71. THE ENGINEER'S SEAL AND SIGNATURE SHALL BE PLACED IN THE SPACE PROVIDED HEREON.
 72. THE ENGINEER'S SEAL AND SIGNATURE SHALL BE PLACED IN THE SPACE PROVIDED HEREON.
 73. THE ENGINEER'S SEAL AND SIGNATURE SHALL BE PLACED IN THE SPACE PROVIDED HEREON.
 74. THE ENGINEER'S SEAL AND SIGNATURE SHALL BE PLACED IN THE SPACE PROVIDED HEREON.
 75. THE ENGINEER'S SEAL AND SIGNATURE SHALL BE PLACED IN THE SPACE PROVIDED HEREON.
 76. THE ENGINEER'S SEAL AND SIGNATURE SHALL BE PLACED IN THE SPACE PROVIDED HEREON.
 77. THE ENGINEER'S SEAL AND SIGNATURE SHALL BE PLACED IN THE SPACE PROVIDED HEREON.
 78. THE ENGINEER'S SEAL AND SIGNATURE SHALL BE PLACED IN THE SPACE PROVIDED HEREON.
 79. THE ENGINEER'S SEAL AND SIGNATURE SHALL BE PLACED IN THE SPACE PROVIDED HEREON.
 80. THE ENGINEER'S SEAL AND SIGNATURE SHALL BE PLACED IN THE SPACE PROVIDED HEREON.
 81. THE ENGINEER'S SEAL AND SIGNATURE SHALL BE PLACED IN THE SPACE PROVIDED HEREON.
 82. THE ENGINEER'S SEAL AND SIGNATURE SHALL BE PLACED IN THE SPACE PROVIDED HEREON.
 83. THE ENGINEER'S SEAL AND SIGNATURE SHALL BE PLACED IN THE SPACE PROVIDED HEREON.
 84. THE ENGINEER'S SEAL AND SIGNATURE SHALL BE PLACED IN THE SPACE PROVIDED HEREON.
 85. THE ENGINEER'S SEAL AND SIGNATURE SHALL BE PLACED IN THE SPACE PROVIDED HEREON.
 86. THE ENGINEER'S SEAL AND SIGNATURE SHALL BE PLACED IN THE SPACE PROVIDED HEREON.
 87. THE ENGINEER'S SEAL AND SIGNATURE SHALL BE PLACED IN THE SPACE PROVIDED HEREON.
 88. THE ENGINEER'S SEAL AND SIGNATURE SHALL BE PLACED IN THE SPACE PROVIDED HEREON.
 89. THE ENGINEER'S SEAL AND SIGNATURE SHALL BE PLACED IN THE SPACE PROVIDED HEREON.
 90. THE ENGINEER'S SEAL AND SIGNATURE SHALL BE PLACED IN THE SPACE PROVIDED HEREON.
 91. THE ENGINEER'S SEAL AND SIGNATURE SHALL BE PLACED IN THE SPACE PROVIDED HEREON.
 92. THE ENGINEER'S SEAL AND SIGNATURE SHALL BE PLACED IN THE SPACE PROVIDED HEREON.
 93. THE ENGINEER'S SEAL AND SIGNATURE SHALL BE PLACED IN THE SPACE PROVIDED HEREON.
 94. THE ENGINEER'S SEAL AND SIGNATURE SHALL BE PLACED IN THE SPACE PROVIDED HEREON.
 95. THE ENGINEER'S SEAL AND SIGNATURE SHALL BE PLACED IN THE SPACE PROVIDED HEREON.
 96. THE ENGINEER'S SEAL AND SIGNATURE SHALL BE PLACED IN THE SPACE PROVIDED HEREON.
 97. THE ENGINEER'S SEAL AND SIGNATURE SHALL BE PLACED IN THE SPACE PROVIDED HEREON.
 98. THE ENGINEER'S SEAL AND SIGNATURE SHALL BE PLACED IN THE SPACE PROVIDED HEREON.
 99. THE ENGINEER'S SEAL AND SIGNATURE SHALL BE PLACED IN THE SPACE PROVIDED HEREON.
 100. THE ENGINEER'S SEAL AND SIGNATURE SHALL BE PLACED IN THE SPACE PROVIDED HEREON.



6" CONCRETE CURB

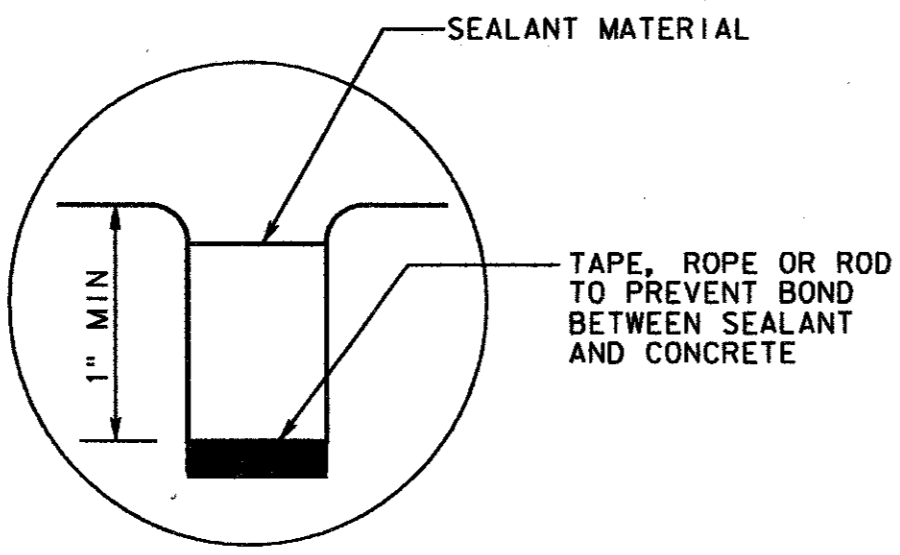
NOTE:
CURB TO BE CONSTRUCTED MONOLITHIC WITH THE CONCRETE PAVEMENT AND PLACED ON THE SAME GRADE AND ELEVATION AS THE EXISTING CURB.

MATCH EXISTING PAVEMENT THICKNESS IF MORE THAN 7" THICK.

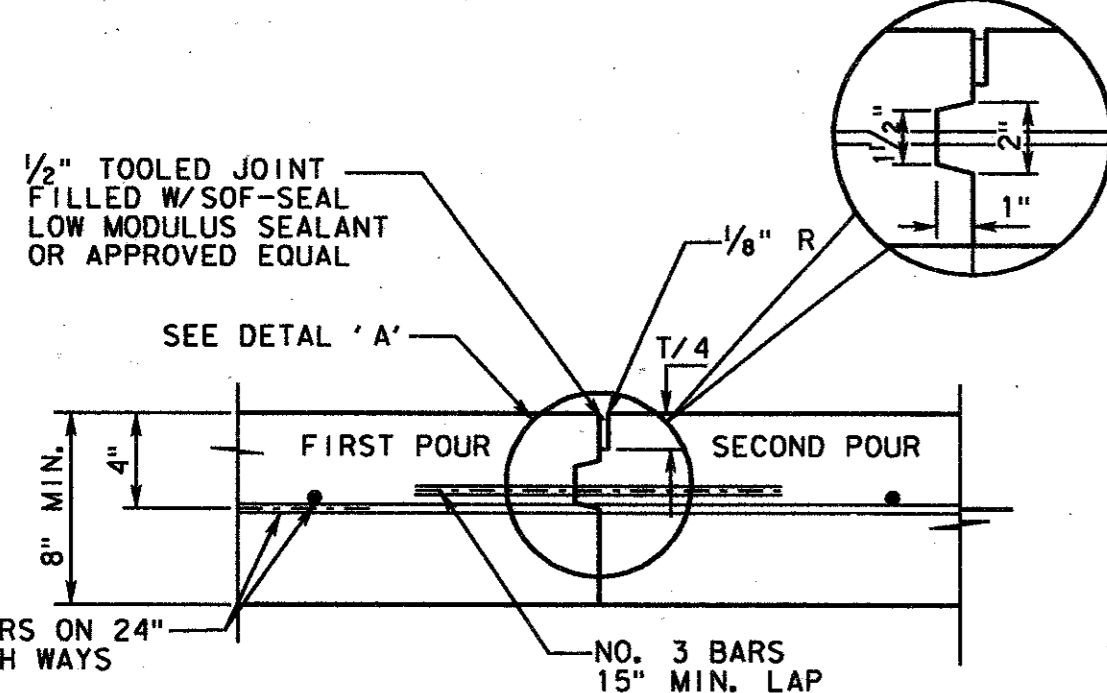


SAWED DUMMY JOINT

(TRANSVERSE DUMMY JOINT TO BE SPACED 16' MIN. & 22' MAX.)



DETAIL 'A'

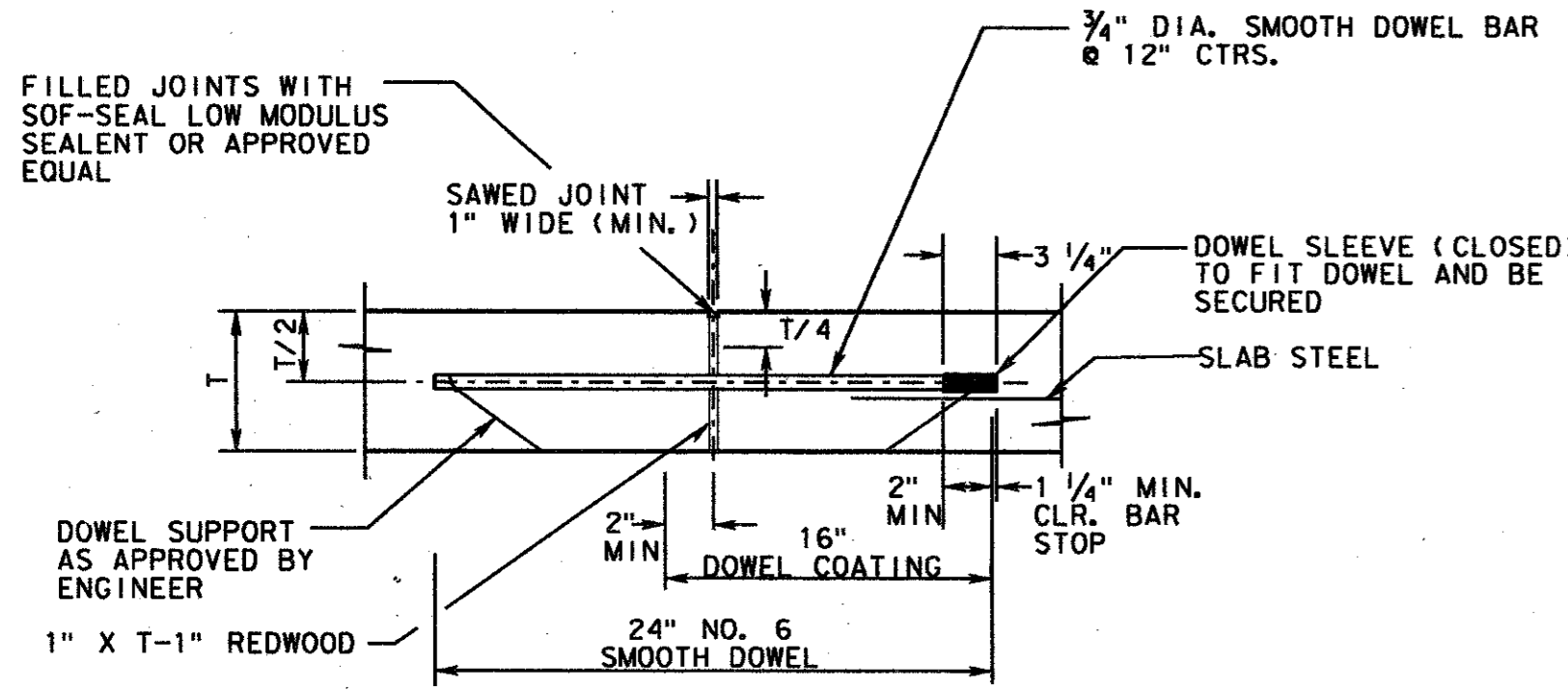


CONSTRUCTION JOINT FOR PAVEMENTS

FOR 8" THICKNESS PAVEMENT AND LONGITUDINAL JOINTS

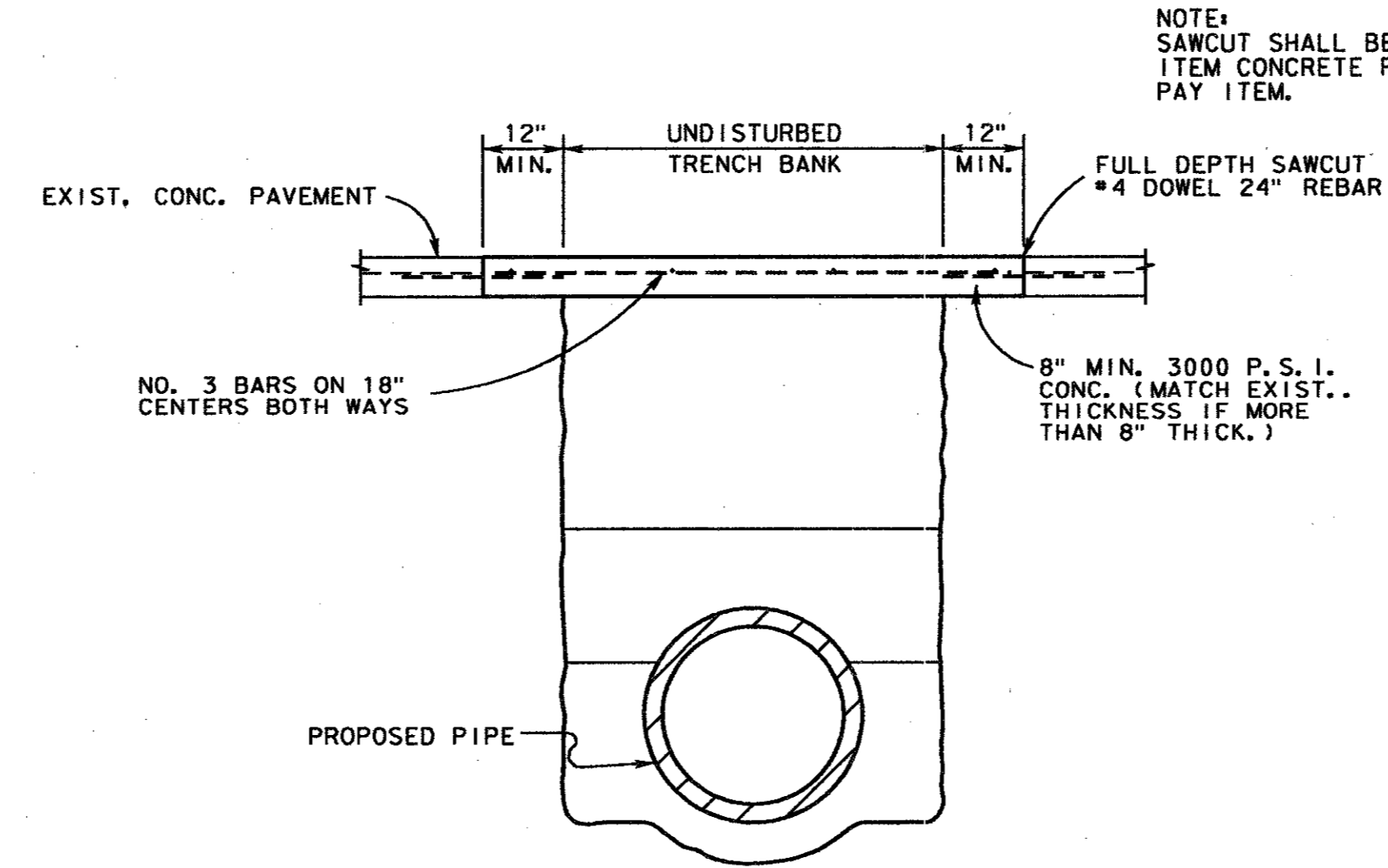
NOTE:
CONTRACTOR SHALL PROTECT KEYWAY PRIOR TO SECOND POUR. IF LONGITUDINAL KEYWAY IS DAMAGED, CONTRACTOR SHALL REPAIR WITH THE USE OF LONGITUDINAL BUTT JOINT. DRILL DOWELS INTO FIRST POUR.

T=PAVEMENT THICKNESS
THICKENED EDGES ARE REQUIRED FOR FUTURE WIDENING ONLY.



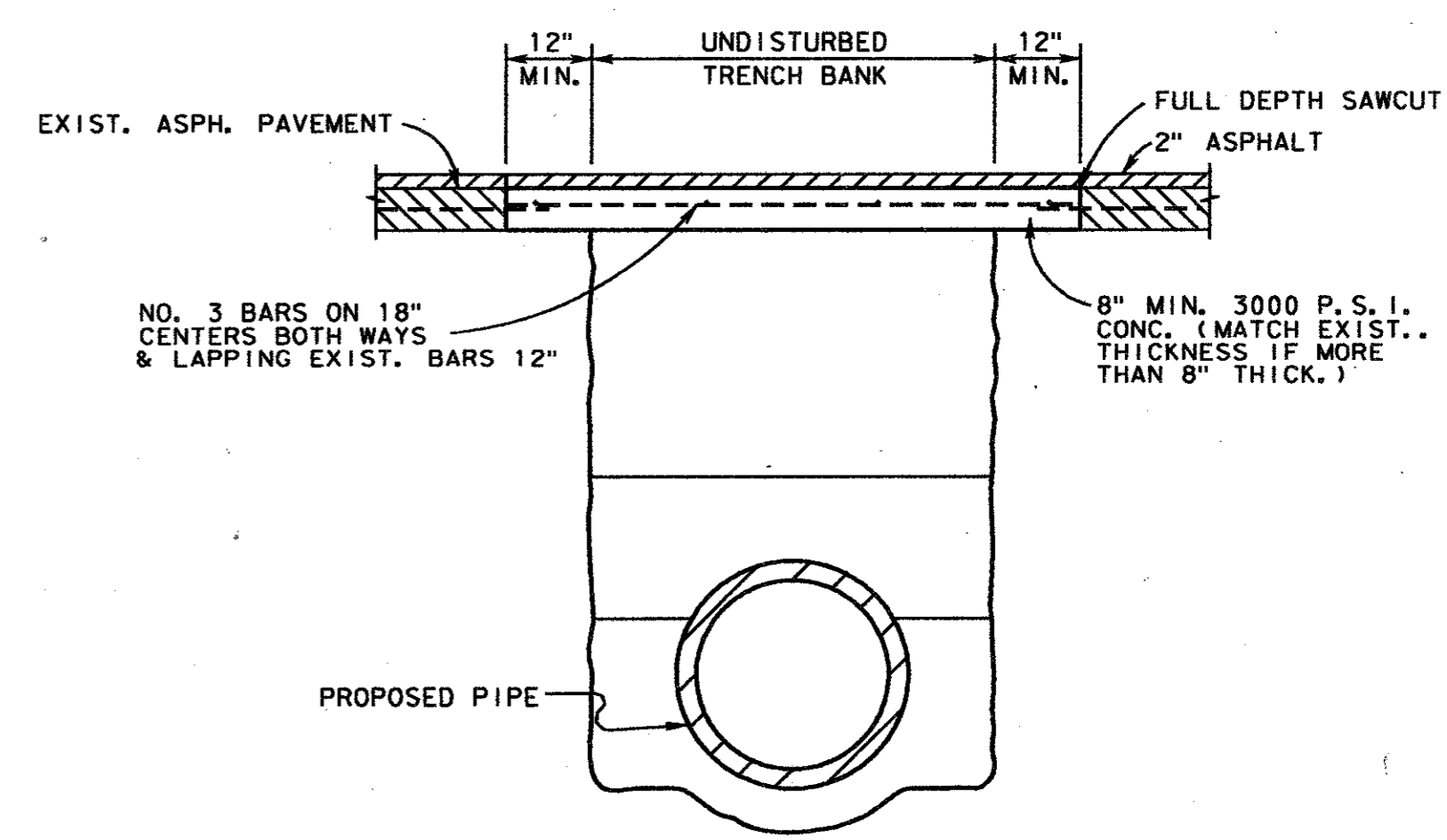
TRANSVERSE EXPANSION JOINT

- NOTES:
1. DOWEL SPACER TO BE PLACED ON FIRST Poured SIDE OF DOWELS.
 2. SPACER SHALL BE ALIGNED SUCH THAT DOWELS ARE PARALLEL TO EACH OTHER, AND PERPENDICULAR TO REDWOOD.

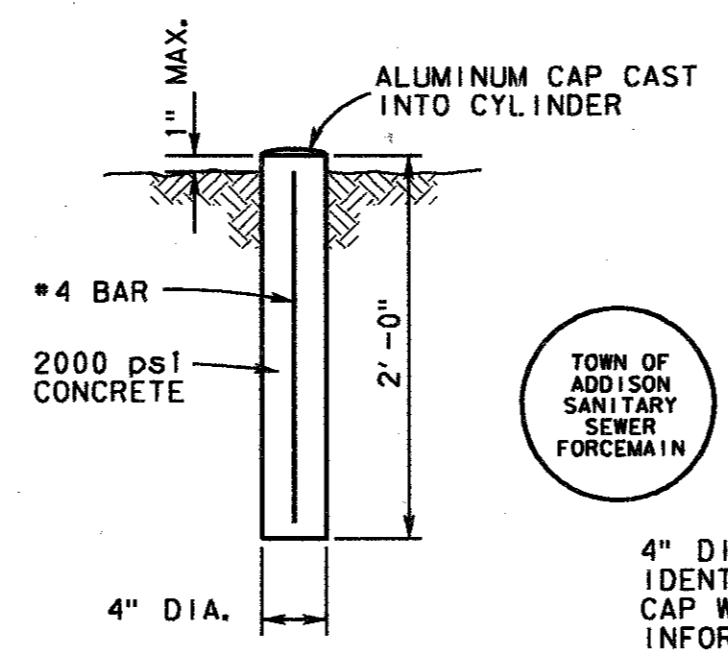


CONCRETE STREET OR DRIVEWAY REPAIR

NOTE:
SAWCUT SHALL BE SUBSIDIARY TO THE BID ITEM CONCRETE PAVEMENT. NO SEPERATE PAY ITEM.



ASPHALT STREET OR DRIVEWAY REPAIR



FORCE MAIN MARKER DETAIL

LOCATE FORCE MAIN MARKERS ON CENTERLINE AT 300 FEET MAXIMUM SPACING AND AS SHOWN ON PLANS. NOT A SEPERATE PAY ITEM.

STATE OF TEXAS
 JOHN H. LINDNER
 64694
 REGISTERED PROFESSIONAL ENGINEER
 3/24/95

4			
3			
2			
1			
NO.	DATE	REVISION	APPROV.
TOWN OF ADDISON, TEXAS			
MIDWAY/BELTLINE SANITARY SEWER			
PAVING DETAILS ()			
 Carter & Burgess <small>Consultants in Engineering, Architecture, Planning and the Environment.</small> CARTER & BURGESS, INC. <small>7950 ELMBROOK DRIVE, SUITE 250 DALLAS, TX 75247-4061</small>			
Unit#	Scale	1" = 2"	Date
03-23-95			
Designed	D. Moore	Checked	J. Lindner
Job No.	93327601D	Drawn	B. Sowels
Approved	J. Lindner	Sheet	11 of 11