

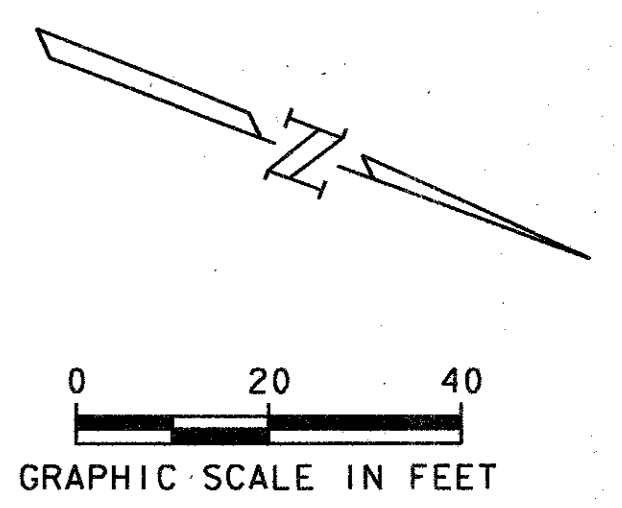
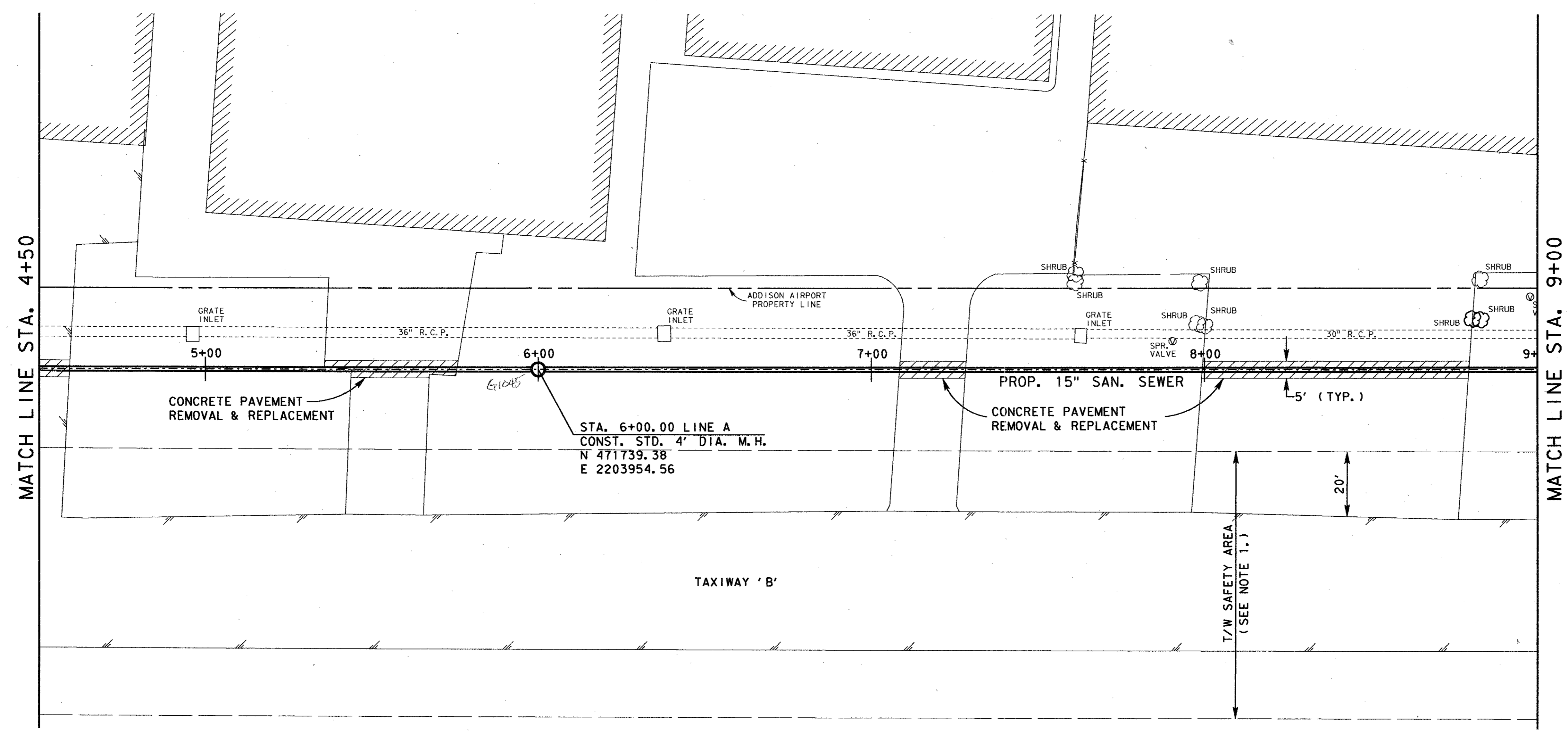
DESIGNED BY: J. LINDNER  
 DRAWN BY: B. SOWELS  
 CHECKED BY: J. LINDNER  
 DATE: 3/24/95

DATE: 3/24/95  
 TIME: 1:22:08  
 USER: J. LINDNER

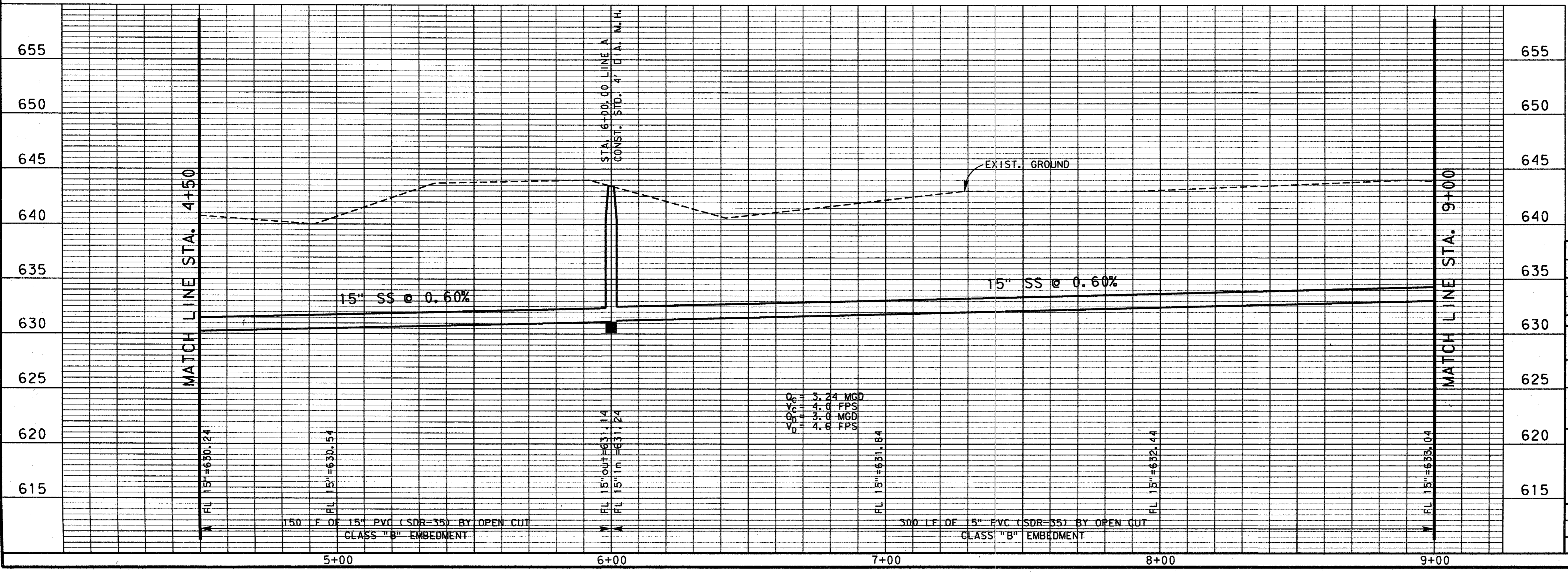
REF: 3276822.DGN  
 REF: 3276822.DGN  
 REF: 3276822.DGN

LEVELS ON: 0.82  
 : 0.81  
 : 0.80  
 : 0.79  
 : 0.78  
 : 0.77

DATE: 3/24/95  
 TIME: 1:22:08  
 USER: J. LINDNER

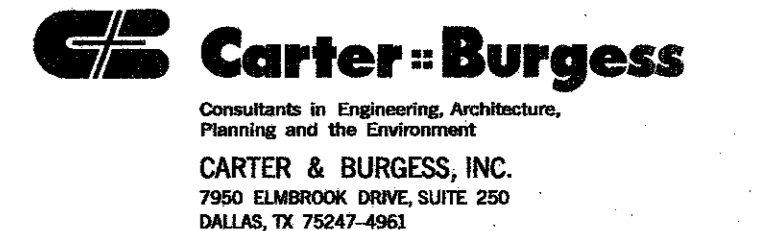


- NOTES:
1. CONTRACTOR SHALL BE PROHIBITED FROM ACCESSING OR CONDUCTING ANY ACTIVITIES WITHIN THE T/W SAFETY AREA.
  2. CONTRACTOR SHALL RESTRICT ACCESS TO CONSTRUCTION AREA FROM WILEY POST RD.



NO.	DATE	REVISION	APPROV.
4			
3			
2			
1			

TOWN OF ADDISON, TEXAS  
 MIDWAY/BELTLINE SANITARY SEWER  
 SANITARY SWR. PLAN & PROFILE  
 FROM STATION 4+50 TO STATION 9+00



Unit	Scale	Hor 1/2" = 20'	Ver 1" = 5'	Date	03-23-95
Designed	D. Moore	Checked	J. Lindner	Job No.	933276010
Drawn	B. Sowels	Approved	J. Lindner	Sheet	4 of 11

