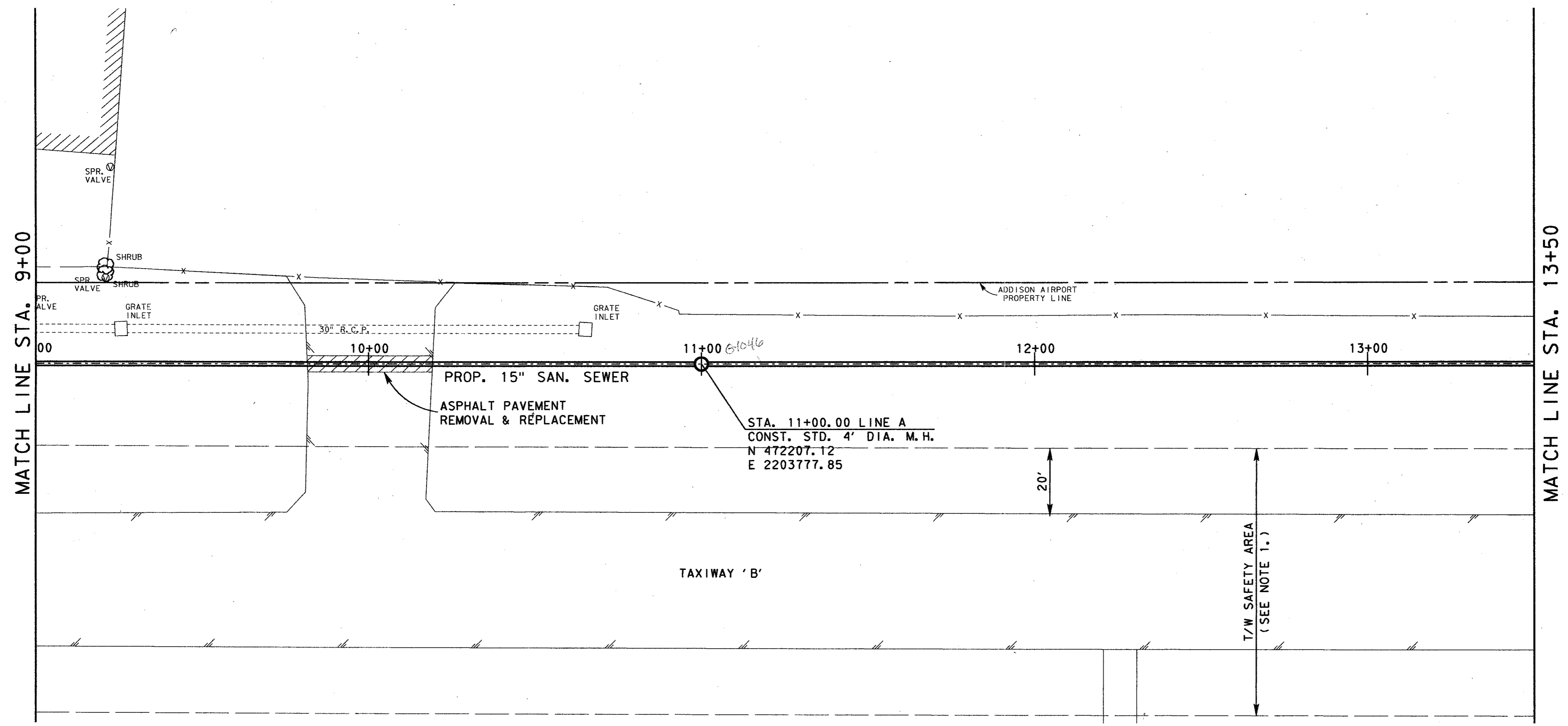
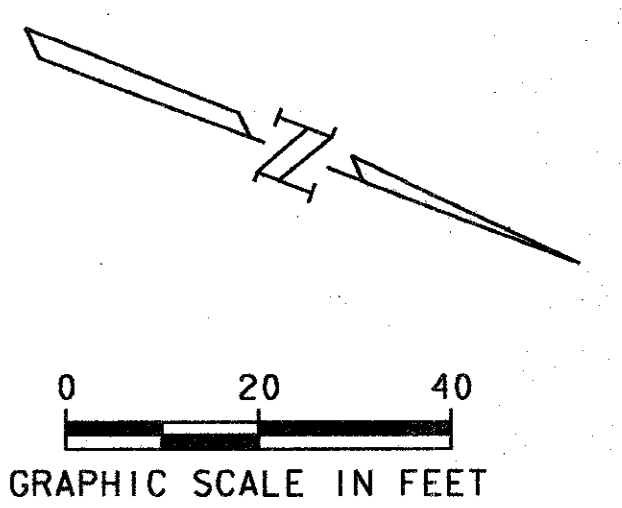
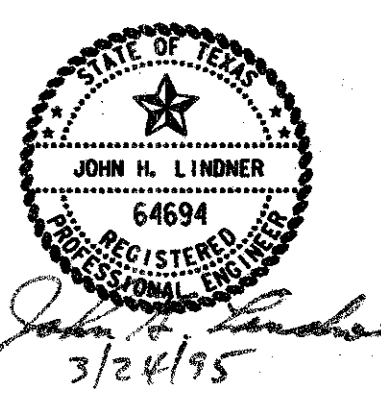
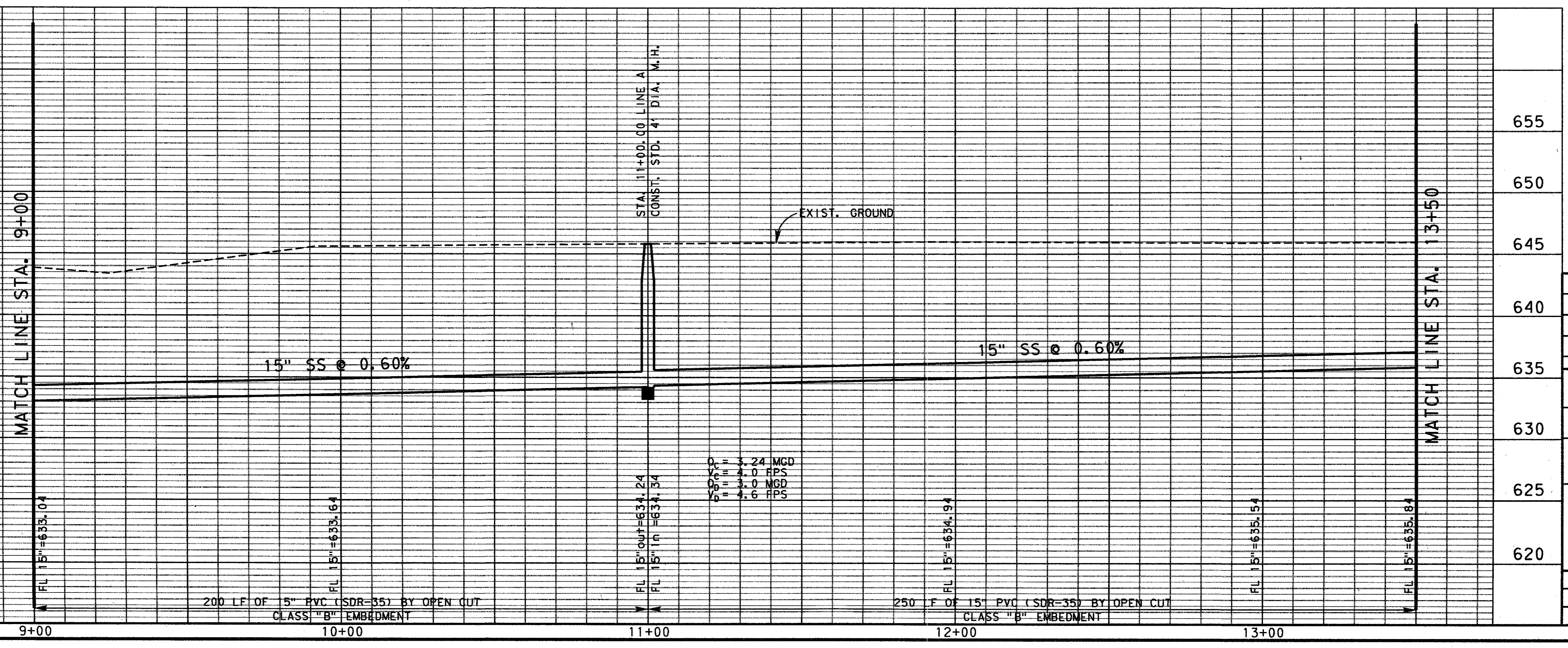


DESIGNED BY: J. MOORE
 CHECKED BY: J. LINDNER
 APPROVED BY: J. LINDNER
 DATE: 03-23-95
 SHEET NO.: 5 OF 11
 PROJECT NO.: 93327601D
 TOWN OF ADDISON, TEXAS
 MIDWAY/BELTLINE SANITARY SEWER



- NOTES:
1. CONTRACTOR SHALL BE PROHIBITED FROM ACCESSING OR CONDUCTING ANY ACTIVITIES WITHIN THE T/W SAFETY AREA.
 2. CONTRACTOR SHALL RESTRICT ACCESS TO CONSTRUCTION AREA FROM WILEY POST RD.



NO.	DATE	REVISION	APPROV.
4			
3			
2			
1			

TOWN OF ADDISON, TEXAS

MIDWAY/BELTLINE SANITARY SEWER

SANITARY SWR. PLAN & PROFILE
FROM STATION 9+00 TO STATION 13+50

Carter & Burgess
Consultants in Engineering, Architecture,
Planning and the Environment
CARTER & BURGESS, INC.
7950 EMBROOK DRIVE, SUITE 250
DALLAS, TX 75247-4961

Unit	Scale	Hor. 1" = 20' Ver. 1" = 5'	Date	03-23-95	
Designed	D. Moore	Checked	J. Lindner	Job No.	93327601D
Drawn	B. Sowell	Approved	J. Lindner	Sheet	5 of 11

3276e23.dgn