

DESIGN AND PREPARED BY: J. LINDNER
 DATE: 03-23-95
 PROJECT NO.: 93327601D
 SHEET NO.: 6 OF 11

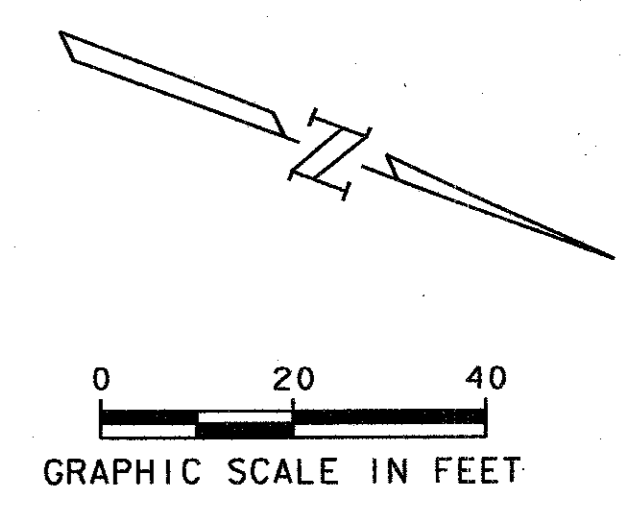
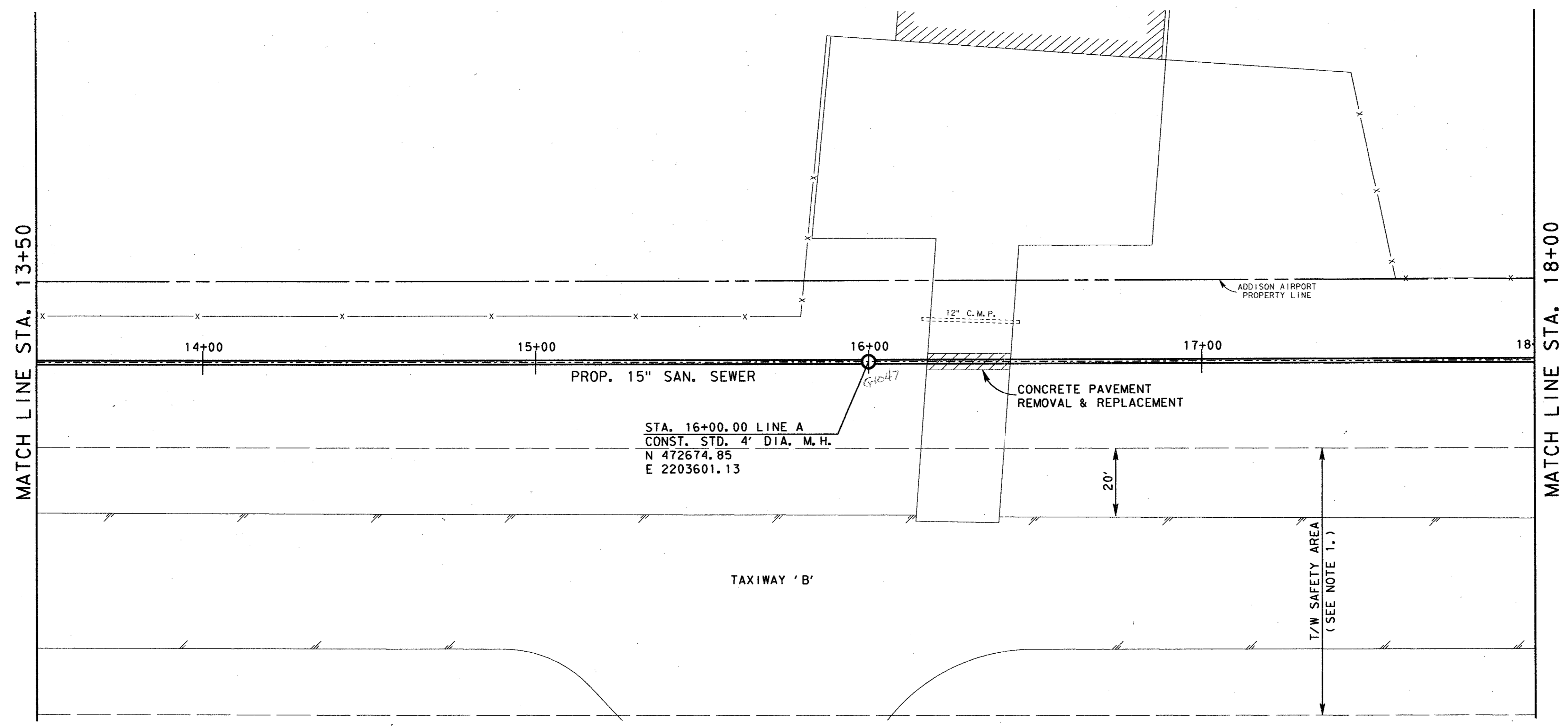
DATE: 03-23-95
 DRAWN BY: B. SOWLES
 CHECKED BY: J. LINDNER
 APPROVED BY: J. LINDNER

ALIGNMENT
 PROFILE

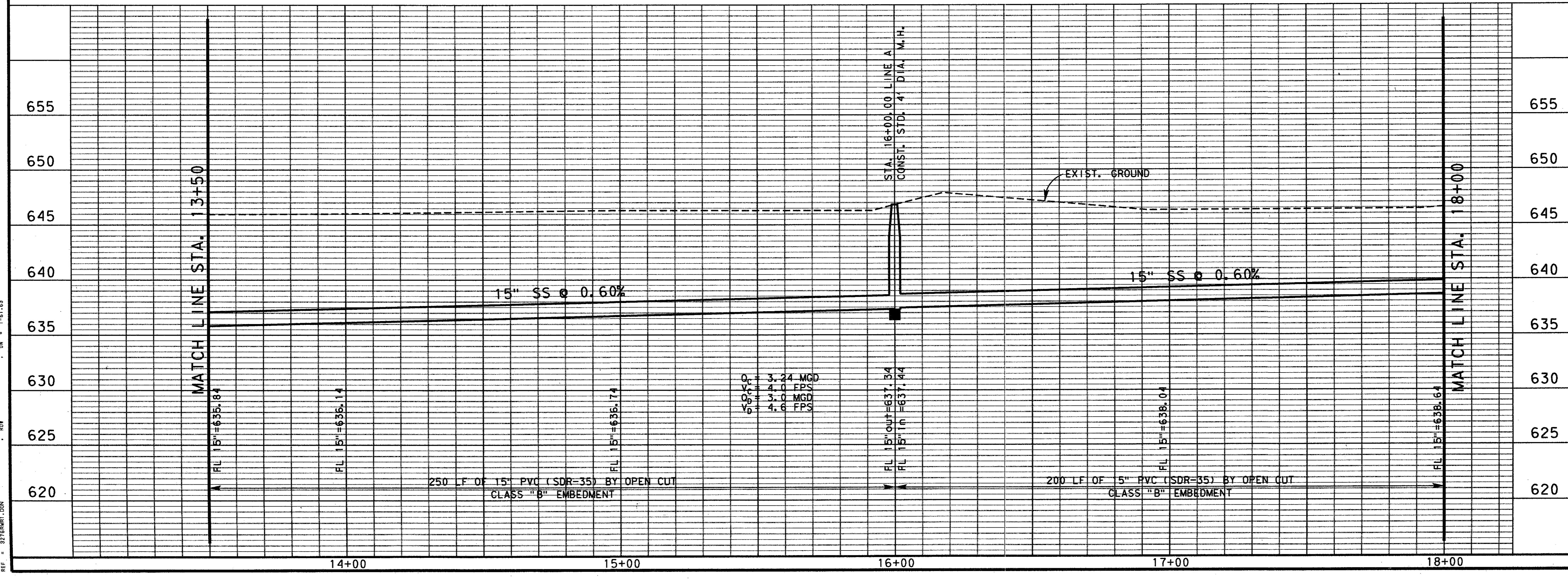
REF: 327601.DGN
 REF: 327601.DGN
 REF: 327601.DGN

LEVELS ON: 1"=2'
 HORIZ. SCALE: 1"=40'

DATE: 03-23-95
 DRAWN BY: B. SOWLES
 CHECKED BY: J. LINDNER
 APPROVED BY: J. LINDNER



- NOTES:
1. CONTRACTOR SHALL BE PROHIBITED FROM ACCESSING OR CONDUCTING ANY ACTIVITIES WITHIN THE T/W SAFETY AREA.
 2. CONTRACTOR SHALL RESTRICT ACCESS TO CONSTRUCTION AREA FROM WILEY POST RD.



NO.	DATE	REVISION	APPROV.
4			
3			
2			
1			

TOWN OF ADDISON, TEXAS
 MIDWAY/BELTLINE SANITARY SEWER
 SANITARY SWR. PLAN & PROFILE
 FROM STATION 13+50 TO STATION 18+00

Carter Burgess
 Consultants in Engineering, Architecture,
 Planning and the Environment
 CARTER & BURGESS, INC.
 7550 EMBROOK DRIVE, SUITE 250
 DALLAS, TX 75247-4961

John H. Lindner
 3/24/95

Unit	Scale	Hor 1" = 40'	Ver 1" = 5'	Date	03-23-95
Designed	D. Moore	Checked	J. Lindner	Job No.	93327601D
Drawn	B. Sowles	Approved	J. Lindner	Sheet	6 of 11

327601.DGN