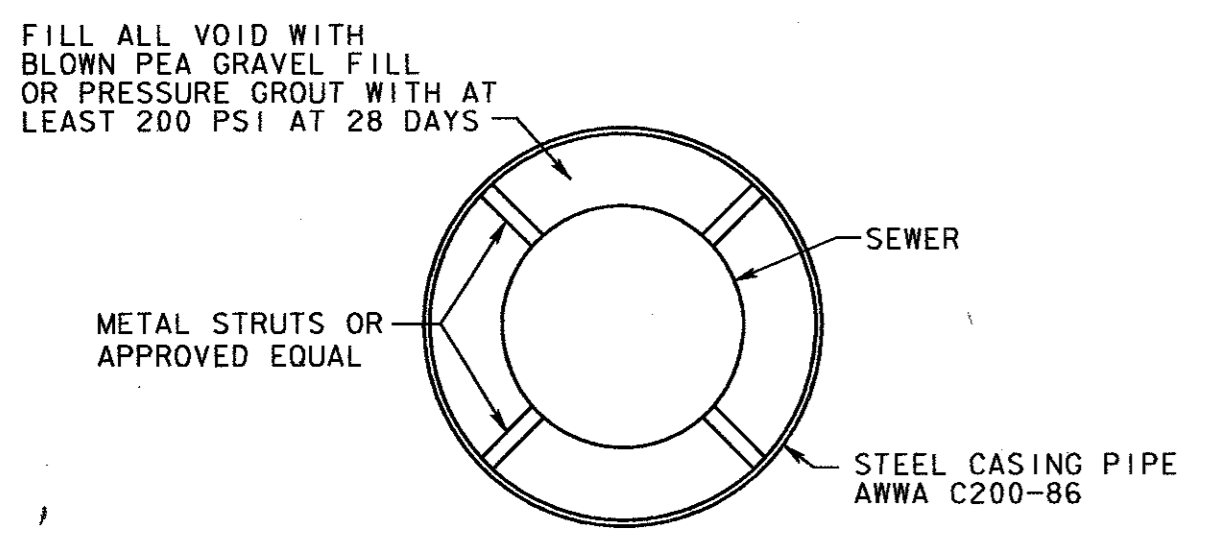


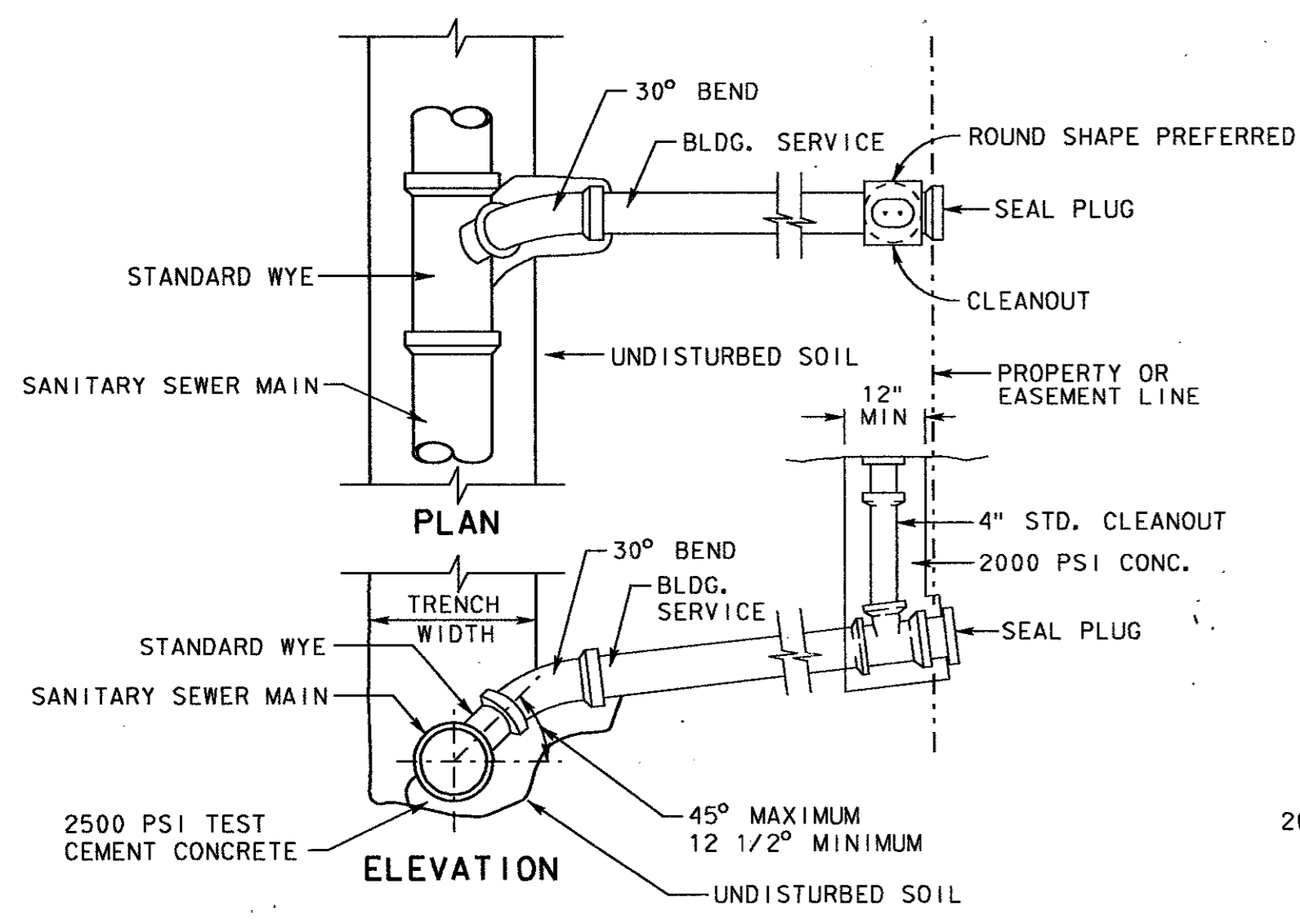
**MANHOLE COVER AND FRAME STANDARD**



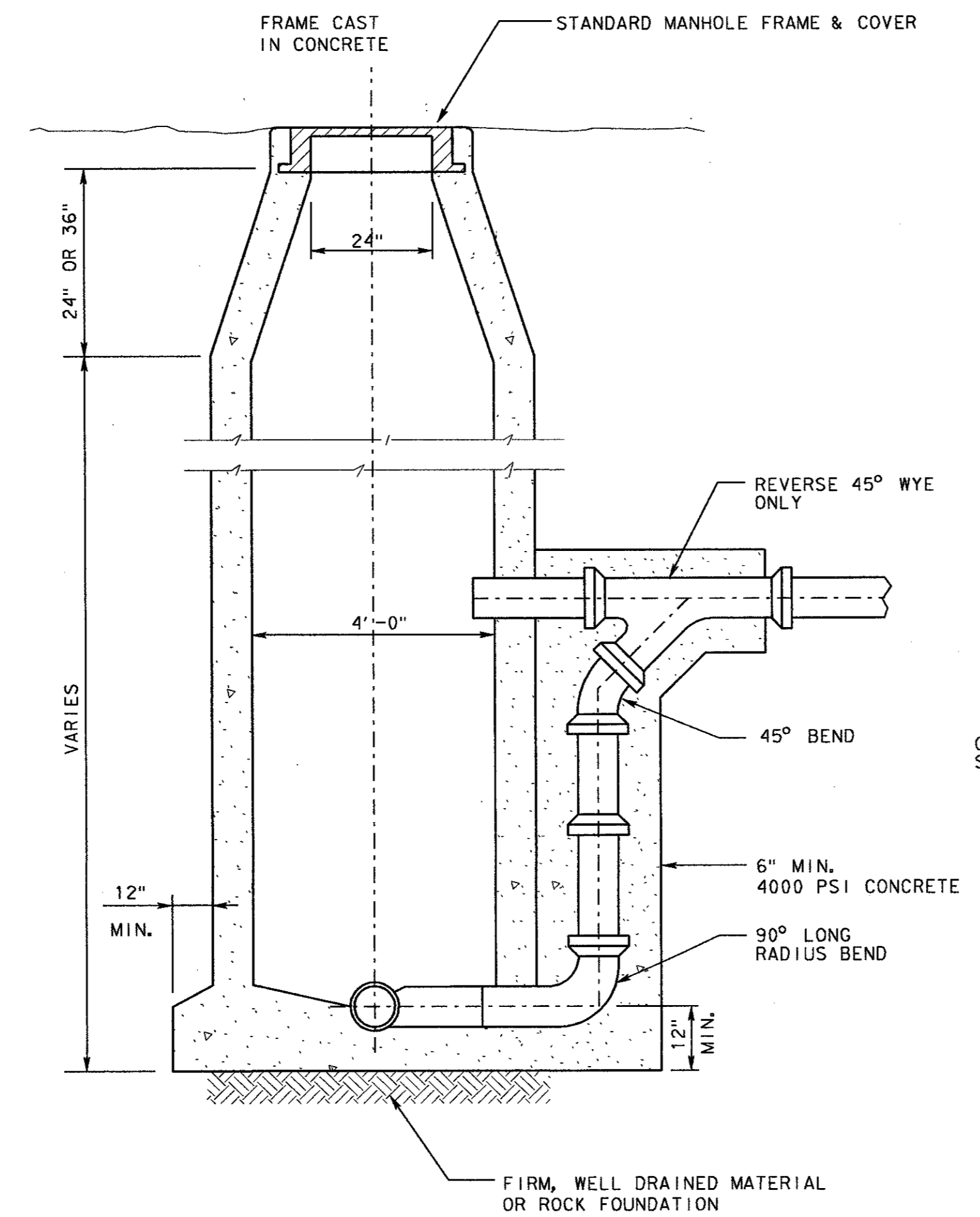
CARRIER PIPE (DIA.)	CASING PIPE (DIA.)	MIN. STEEL PIPE WALL THICKNESS
8"	16"	1/4"
12"	18"	1/4"
15"	24"	5/8"
18"	28"	5/8"
21"	30"	5/8"
24"	34"	5/8"
21"*	36"	5/8"

\* UNDER RAILROAD

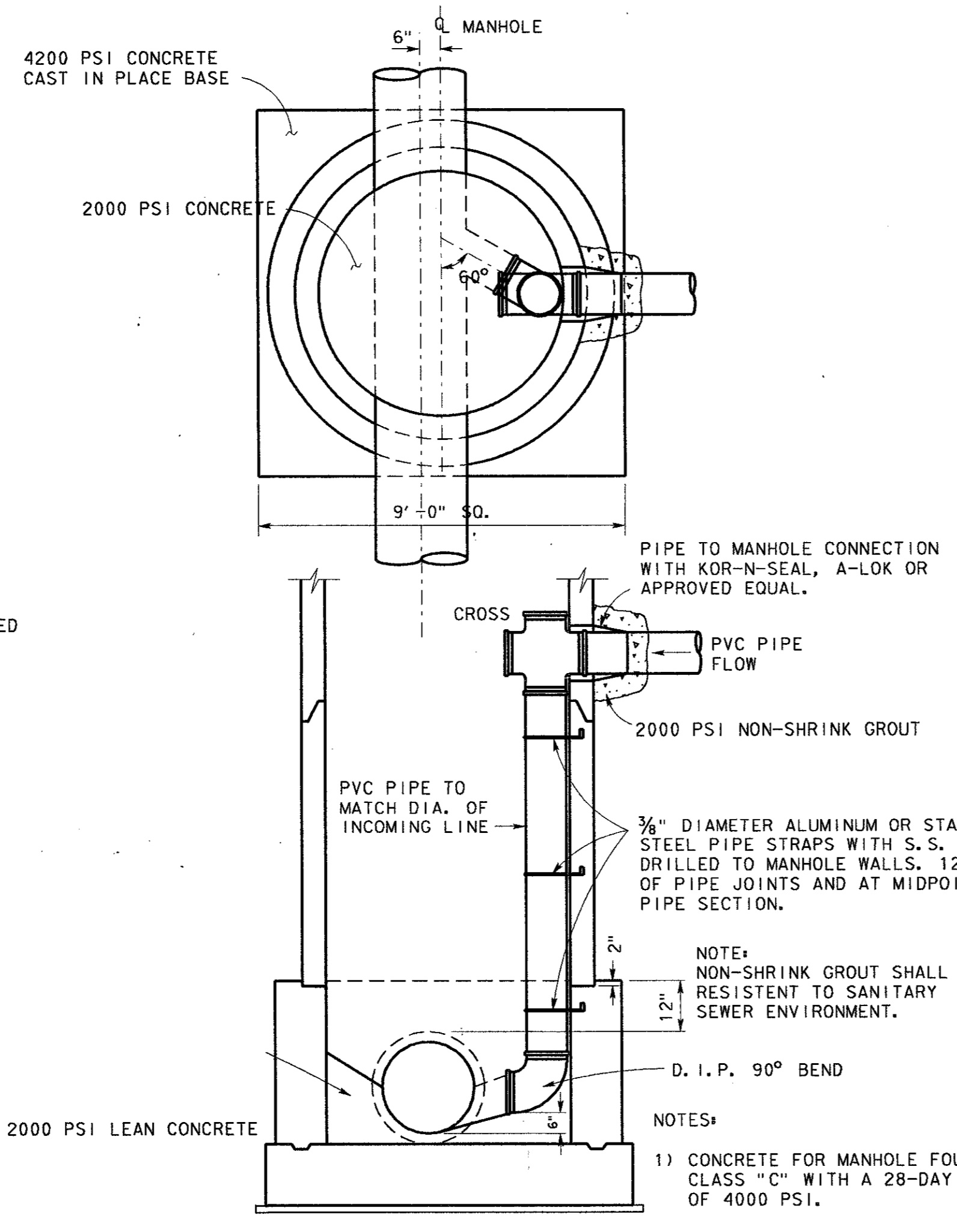
**CASING DETAIL FOR BORING**



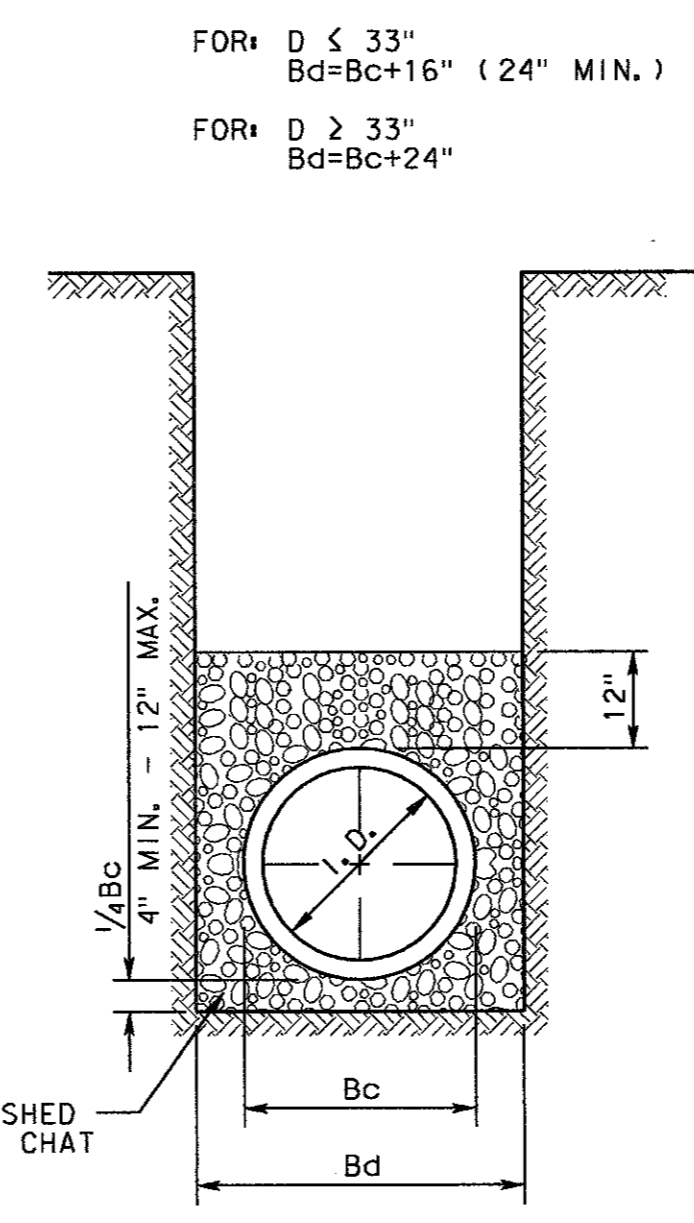
**SERVICE CONNECTION STANDARD**



**STANDARD 4' DROP CONNECTION MANHOLE**

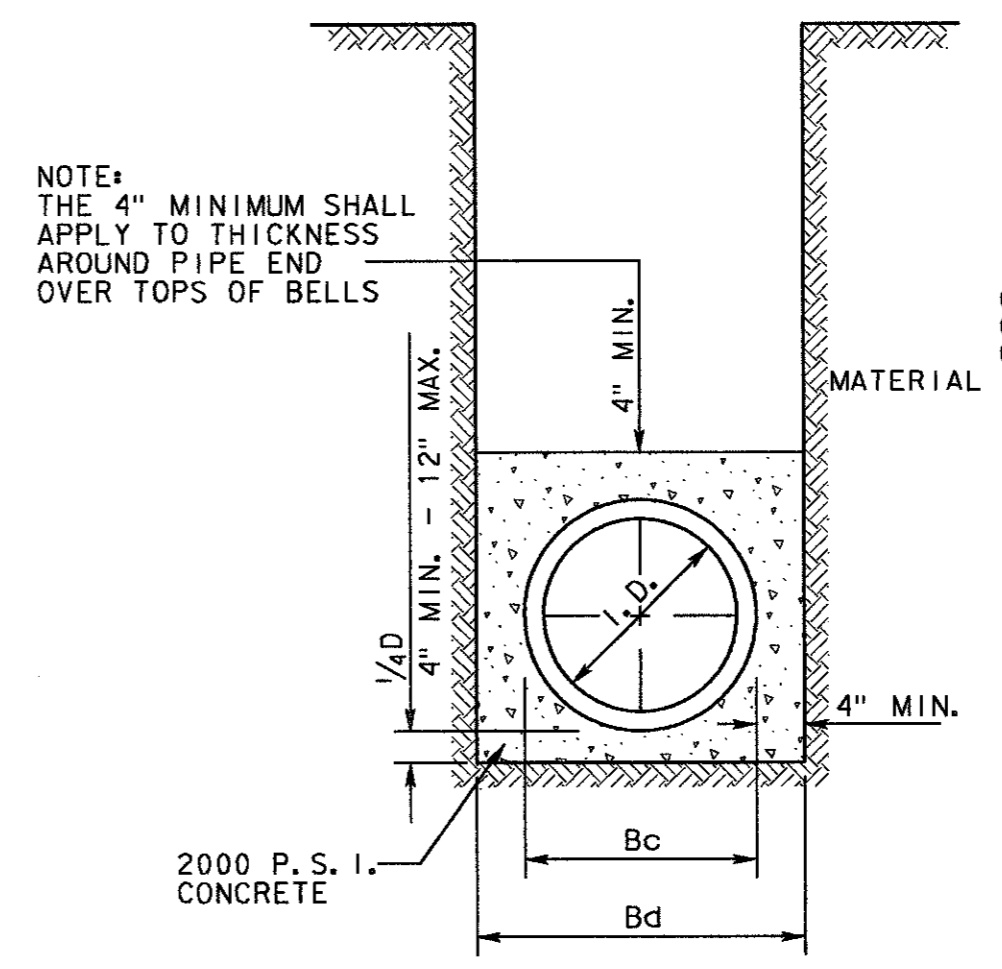


**6' DIA. DROP MANHOLE CONNECTION**

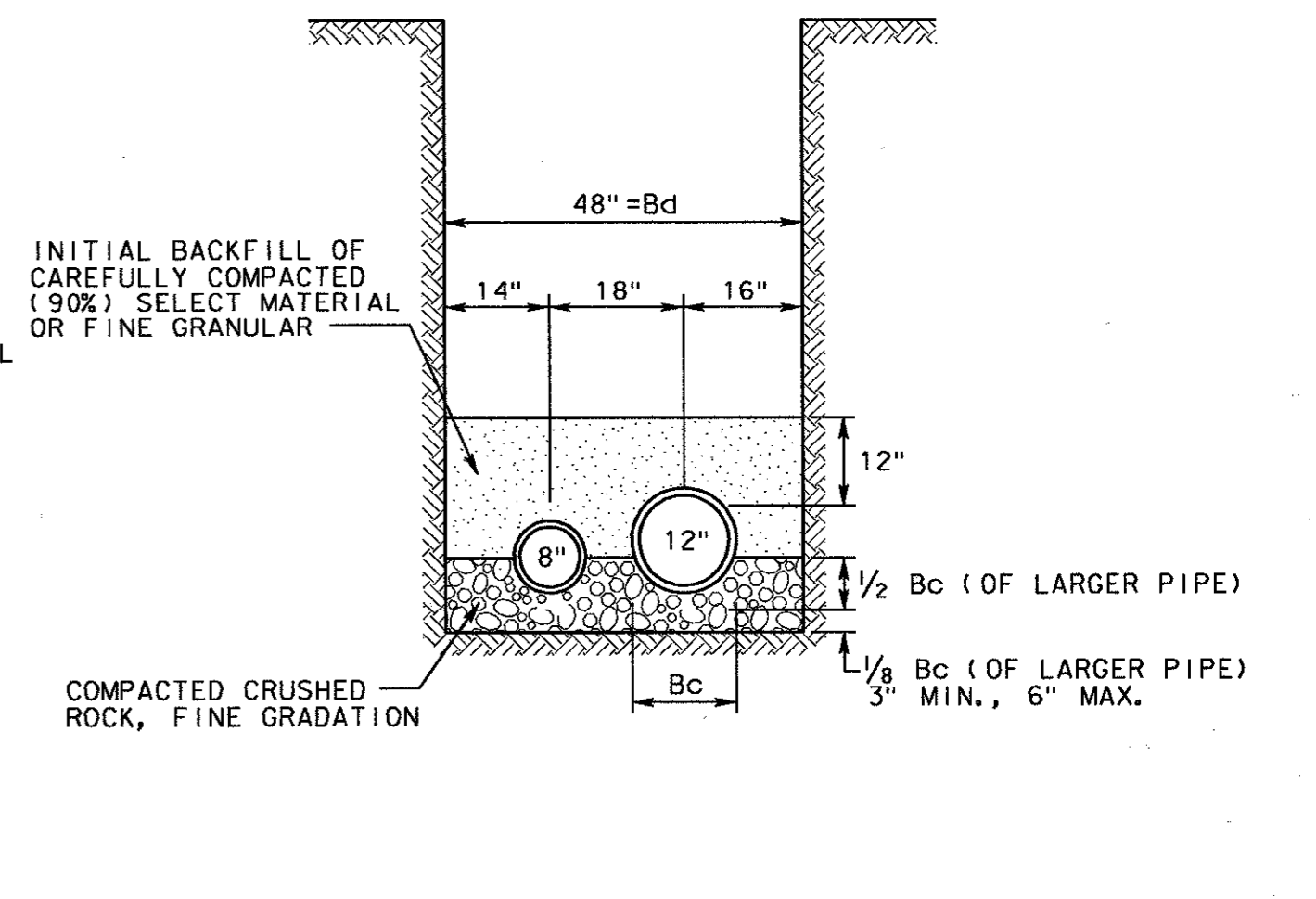


**BEDDING DETAIL CLASS "B"**

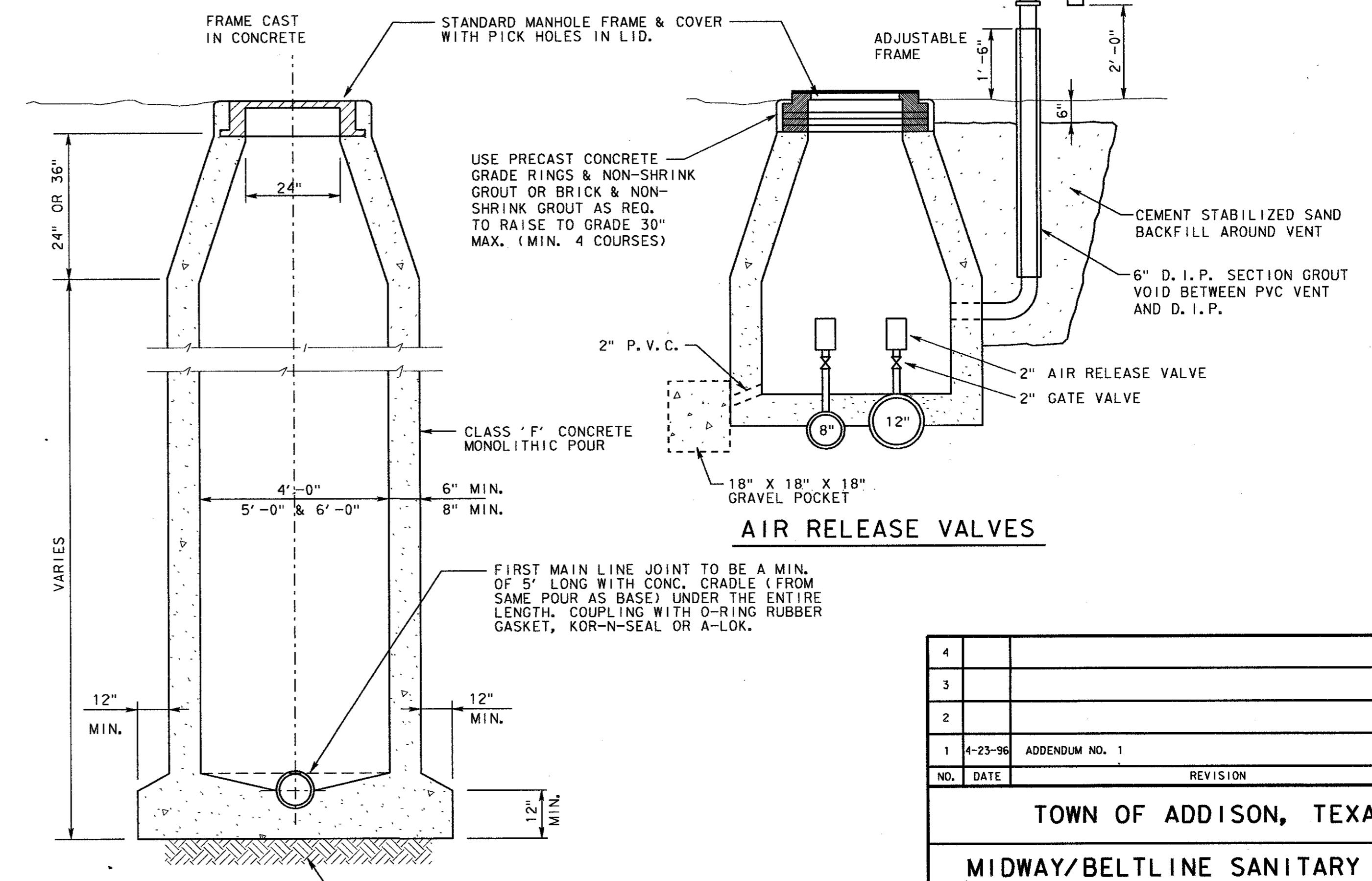
\* ALL SANITARY SEWER EMBEDMENT SHALL BE CLASS "B" UNLESS OTHERWISE SHOWN ON PLANS.



**BEDDING DETAIL CLASS "C"**



**PVC FORCEMAIN EMBEDMENT DETAIL**



**STANDARD CAST-IN-PLACE CONCRETE MANHOLE**

THE BOTTOMS OF ALL MANHOLES ARE TO BE CAST-IN-PLACE.

4			
3			
2			
1	4-23-96	ADDENDUM NO. 1	J. H. L.
NO.	DATE	REVISION	APPROV.

**TOWN OF ADDISON, TEXAS**

**MIDWAY/BELTLINE SANITARY SEWER PHASE II**

**SANITARY SEWER DETAILS SHEET 1**

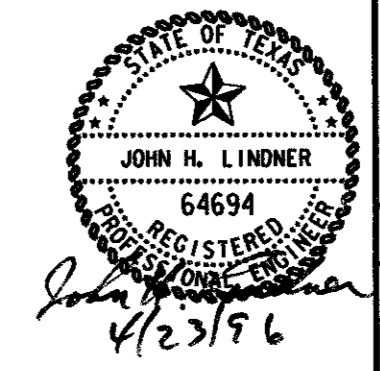
**Carter Burgess**

Consultants in Engineering, Architecture, Planning and the Environment

CARTER & BURGESS, INC.

7950 ELMBROOK DRIVE, SUITE 250

DALLAS, TX 75247-4961



Unit	Scale	Date	04-05-96
Designed	J. Lindner	Checked	J. Lindner
Drawn	R. Howman	Approved	J. Lindner
		Job No.	93327601D
		Sheet	36 of 63