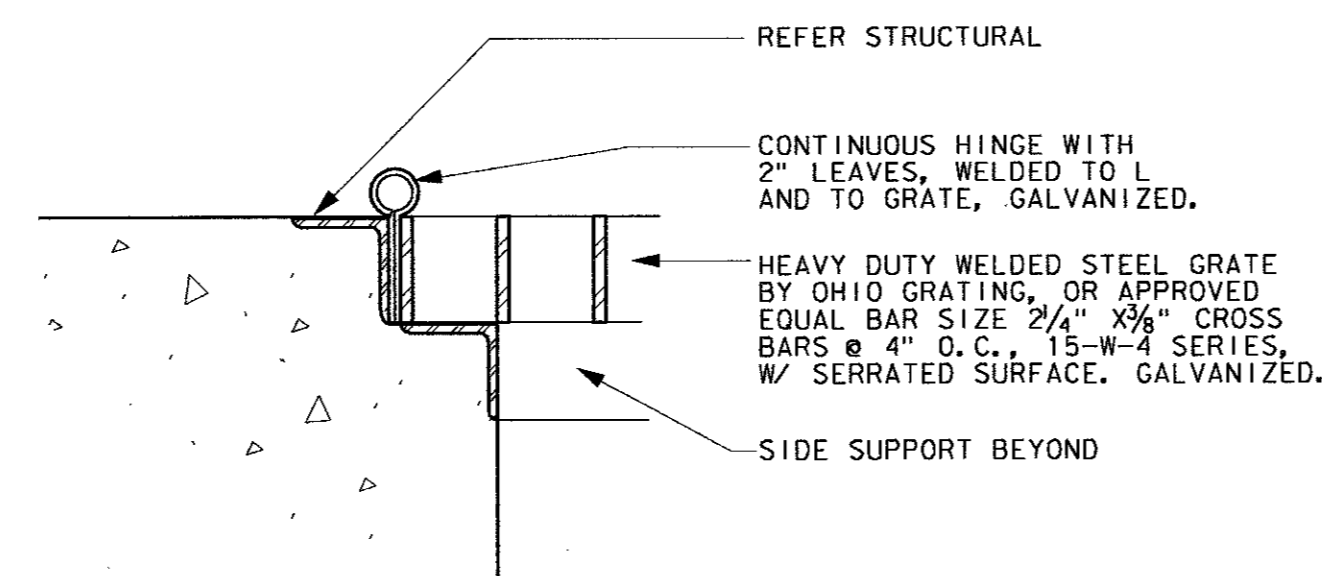
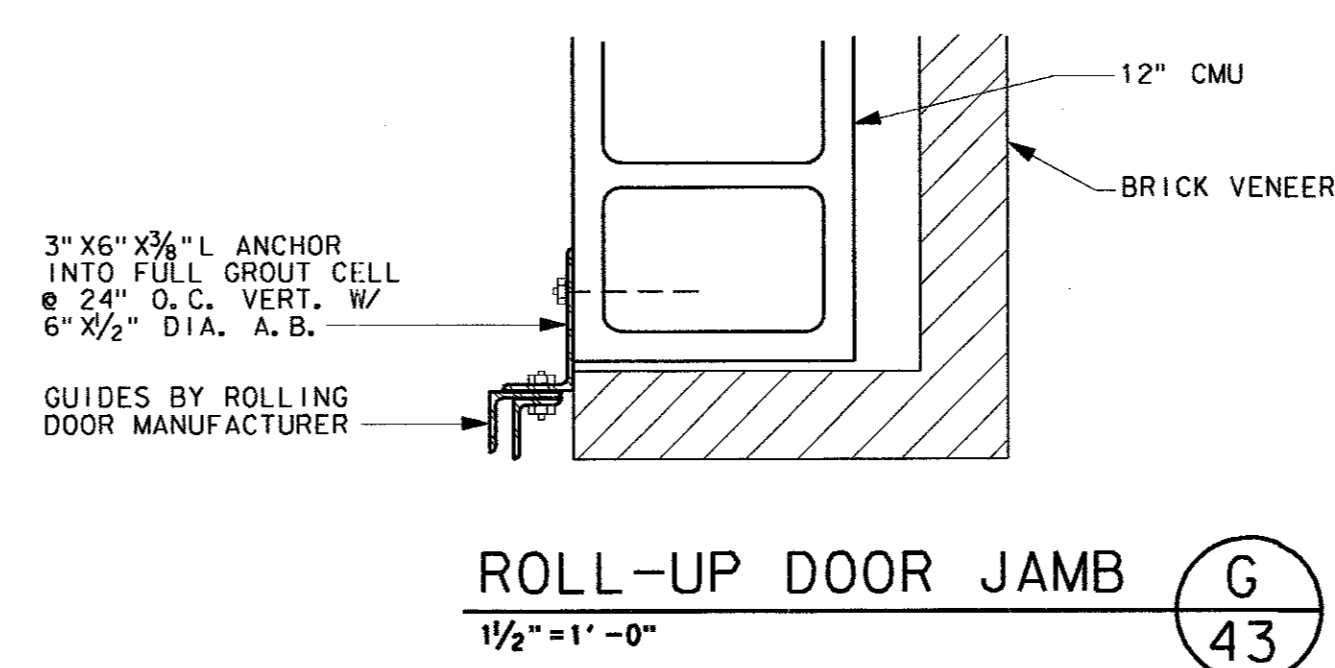


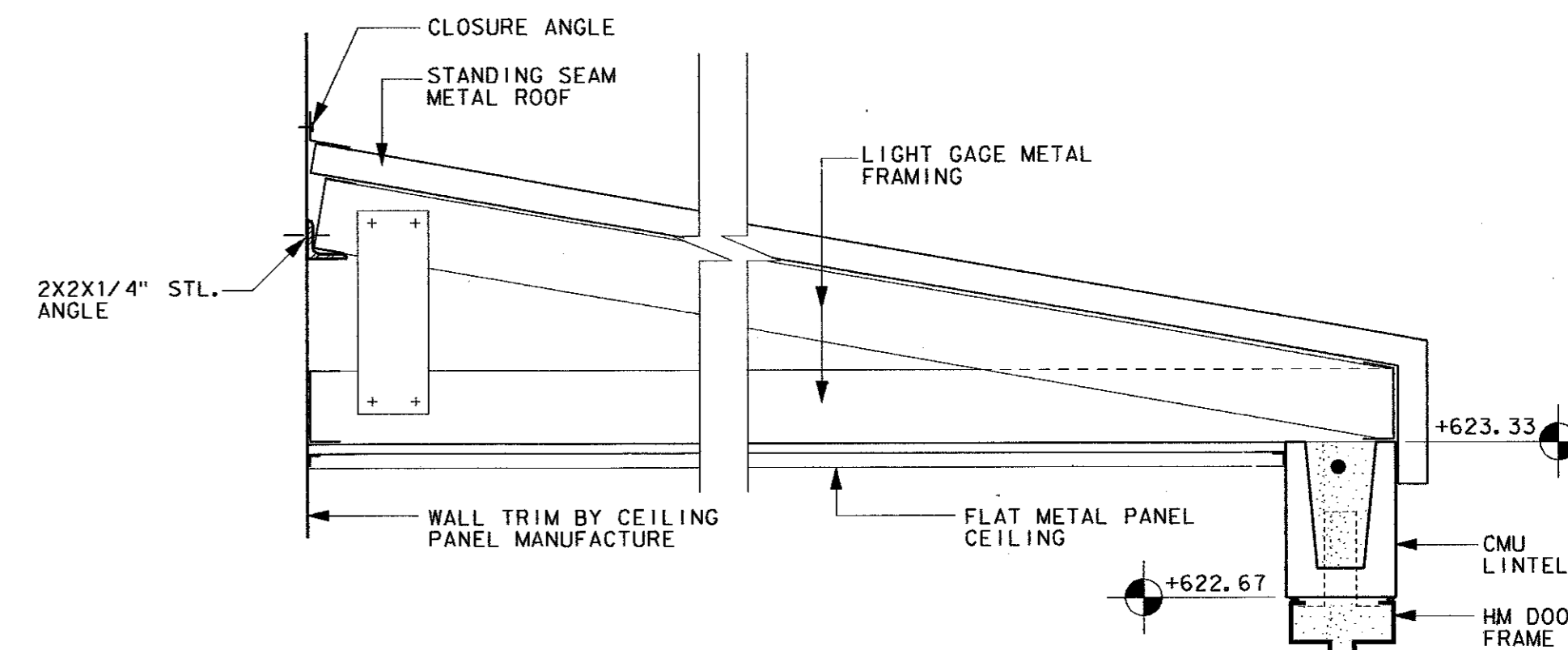
**LOUVER HEAD** (A) 43  
1/2" = 1'-0"



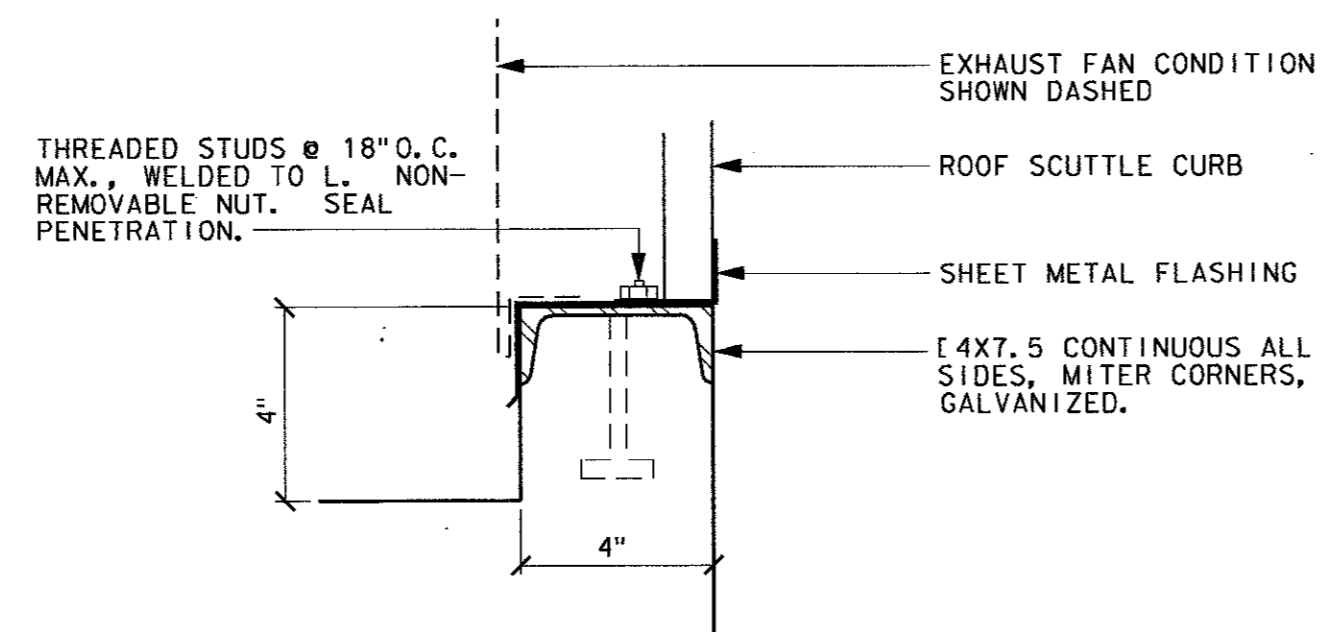
**SECTION** (D) 43  
3" = 1'-0"



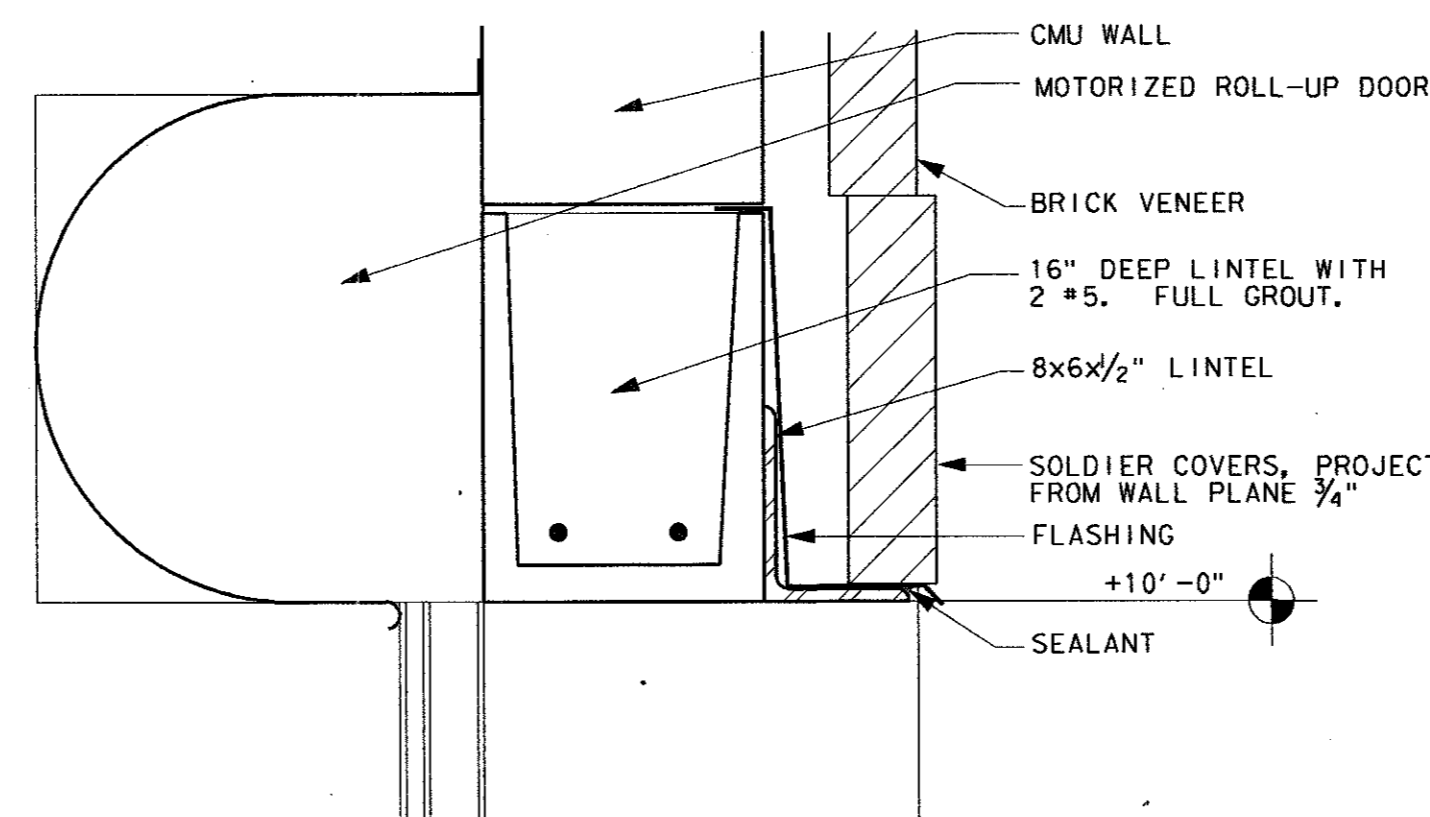
**ROLL-UP DOOR JAMB** (G) 43  
1/2" = 1'-0"



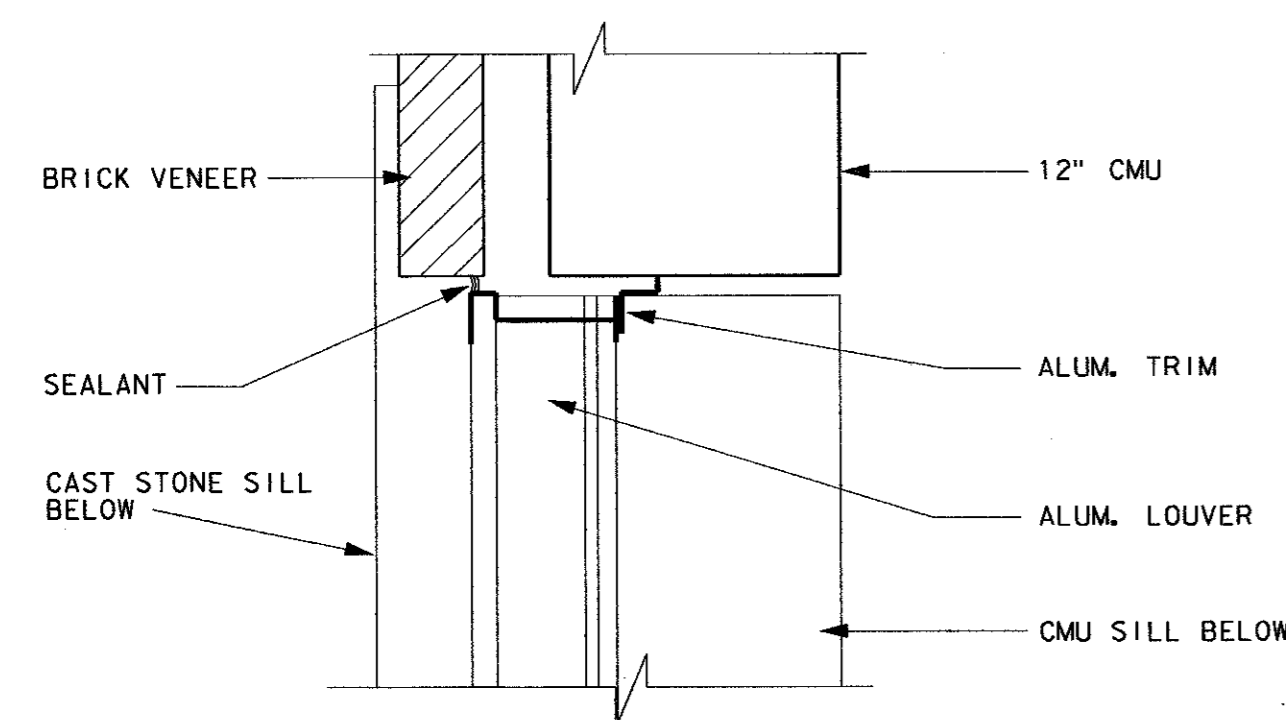
**ROOF SECTION** (K) 43  
1/2" = 1'-0"



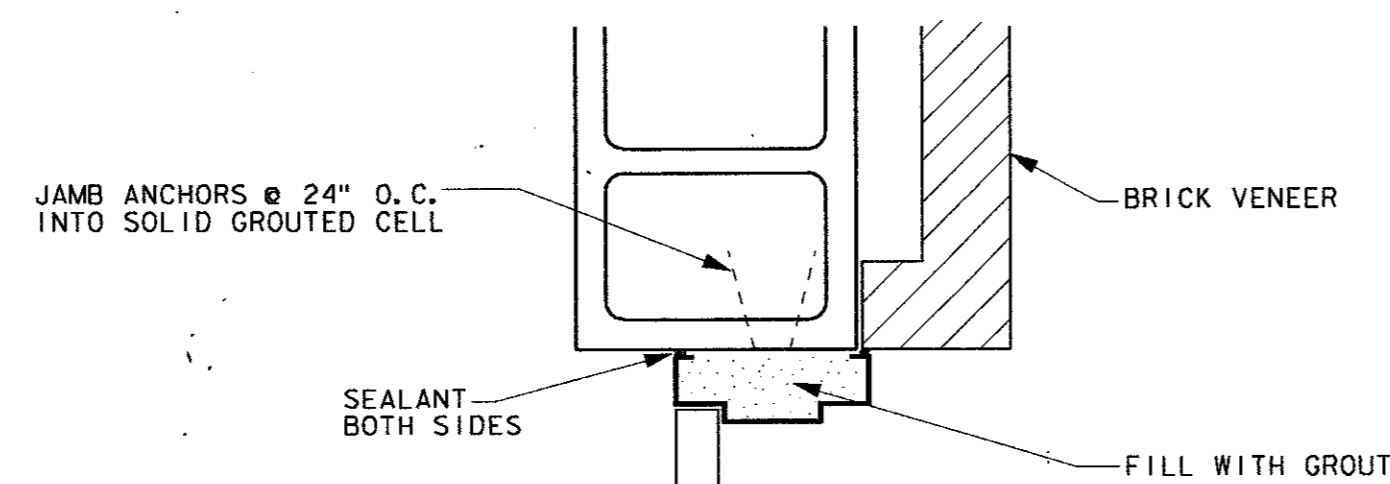
**TYPICAL EQUIPMENT CURB** (E) 43  
3" = 1'-0"



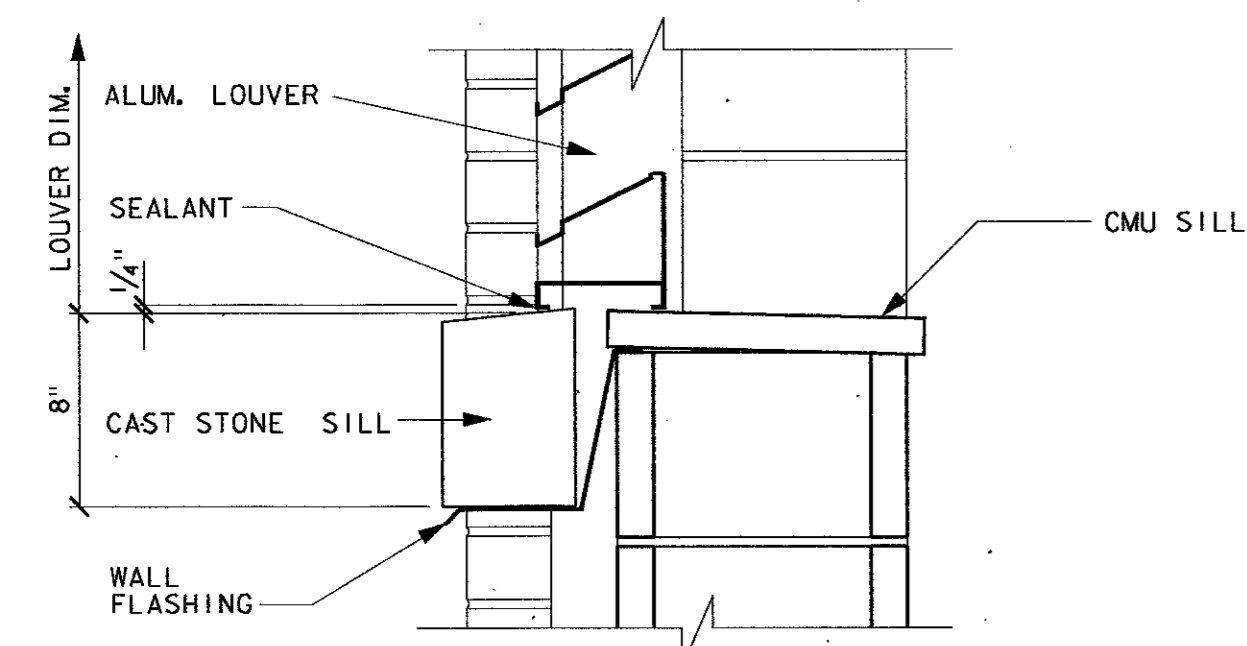
**ROLL-UP DOOR HEAD** (H) 43  
1/2" = 1'-0"



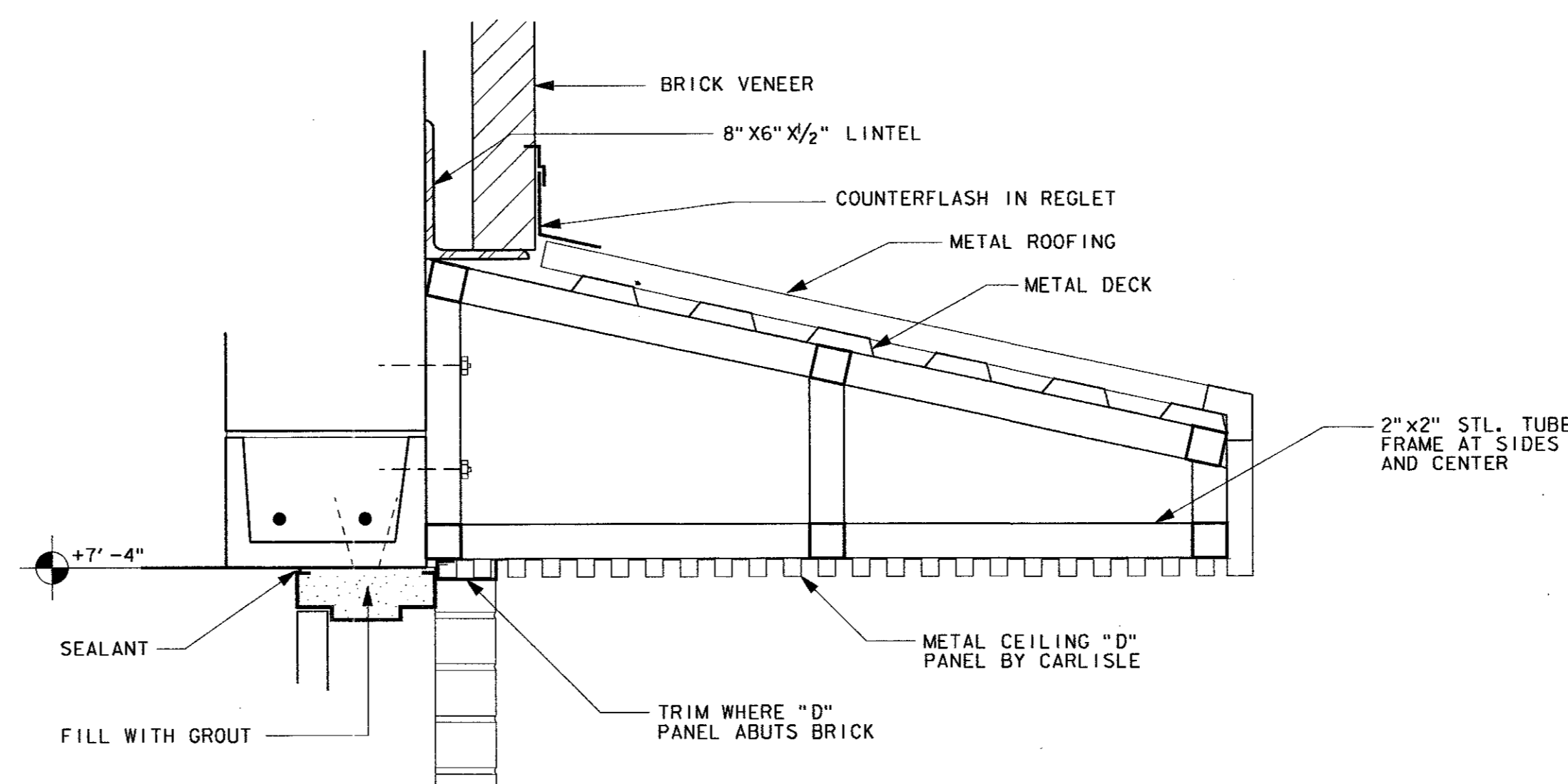
**LOUVER JAMB** (B) 43  
1/2" = 1'-0"



**HM DOOR JAMB** (F) 43  
1/2" = 1'-0"



**LOUVER SILL** (C) 43  
1/2" = 1'-0"



**HM DOOR HEAD** (J) 43  
1/2" = 1'-0"

4			
3			
2			
1			
NO.	DATE	REVISION	APPROV.

TOWN OF ADDISON, TEXAS  
MIDWAY/BELTLINE SANITARY SEWER  
PHASE II  
LIFT STATION -  
ARCHITECTURAL DETAILS - SHEET 1

**Carter Burgess**  
Consultants in Engineering, Architecture,  
Planning and the Environment  
CARTER & BURGESS, INC.  
7950 EMBROOK DRIVE, SUITE 250  
DALLAS, TX 75247-4961



Unit	Scale	Date	04-05-96
Designed	R. WRIGHT	Checked	R. WRIGHT
Drawn	R. WRIGHT	Approved	J. Lindner
		Job No.	933276010
		Sheet	43 of 63