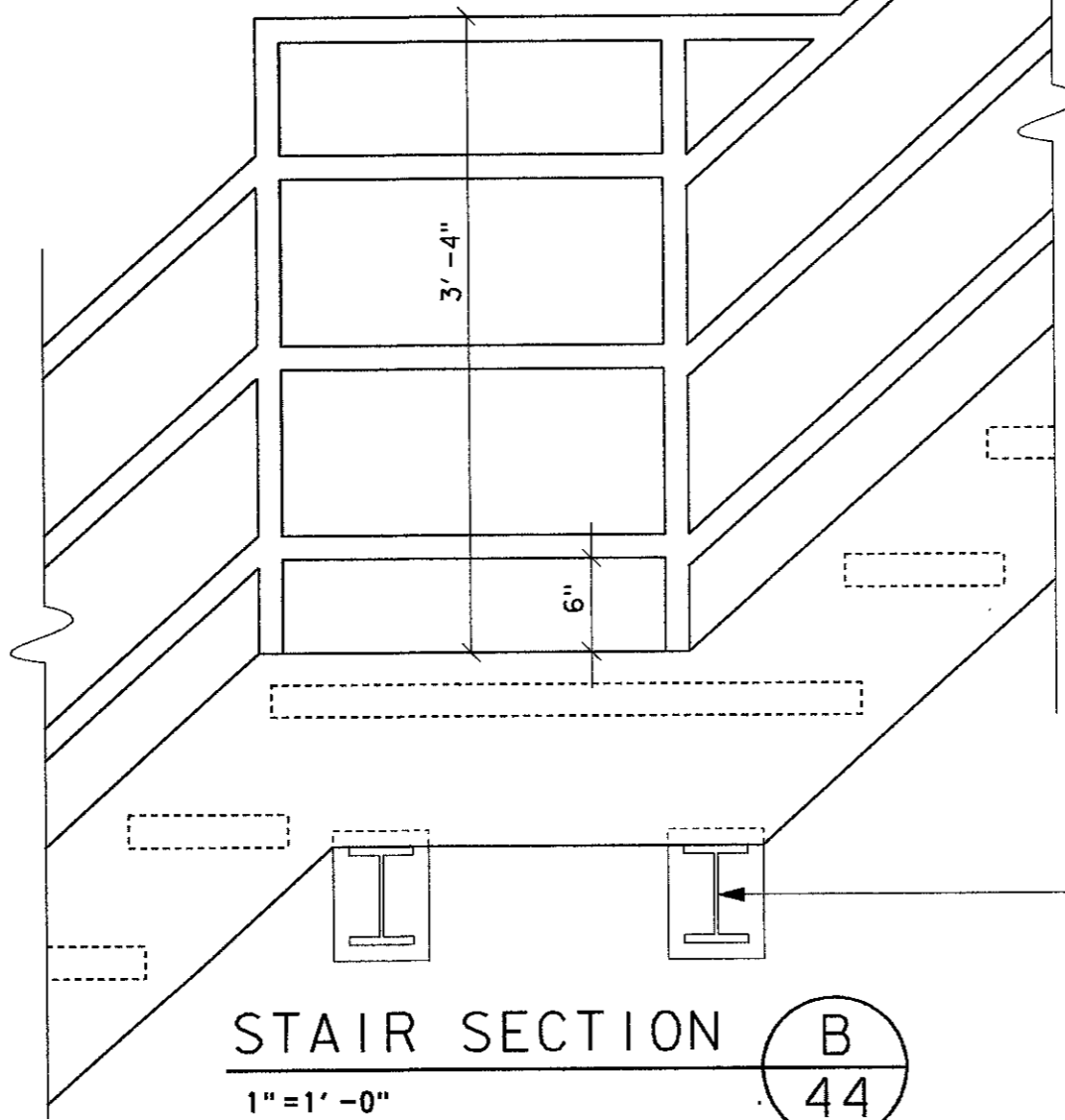
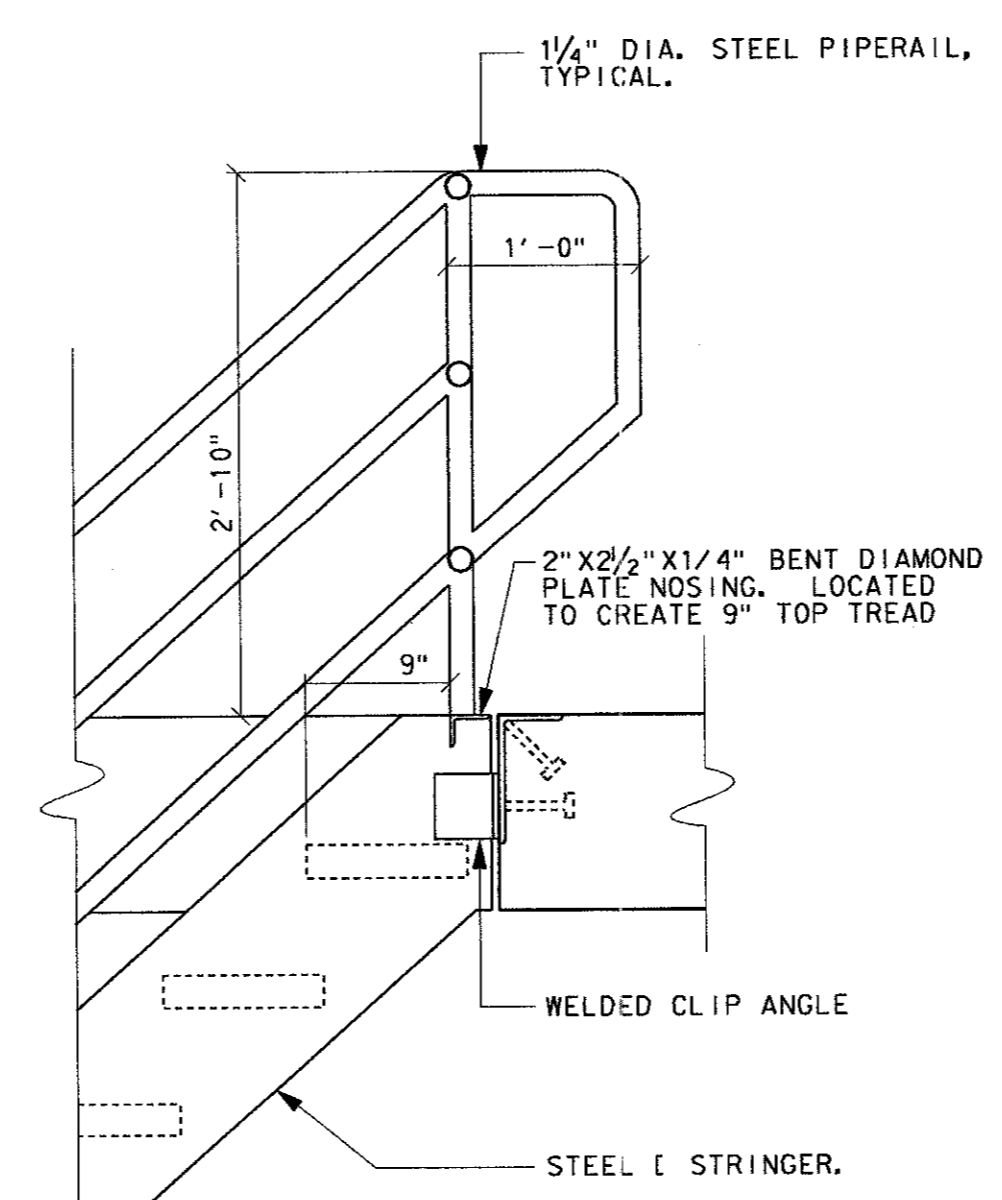


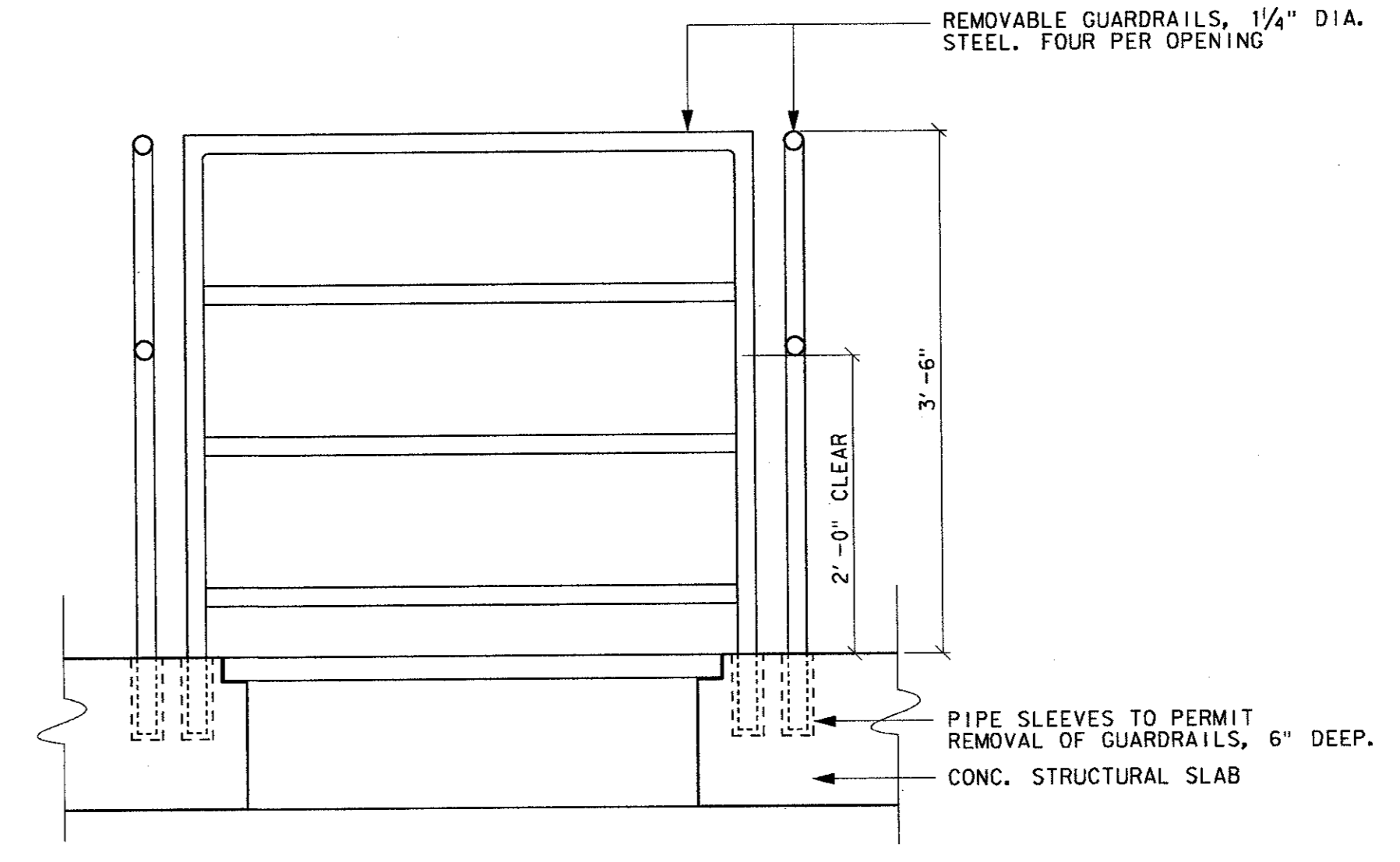
GUARDRAIL AT STAIR OPENING
1"=1'-0" (A) 44



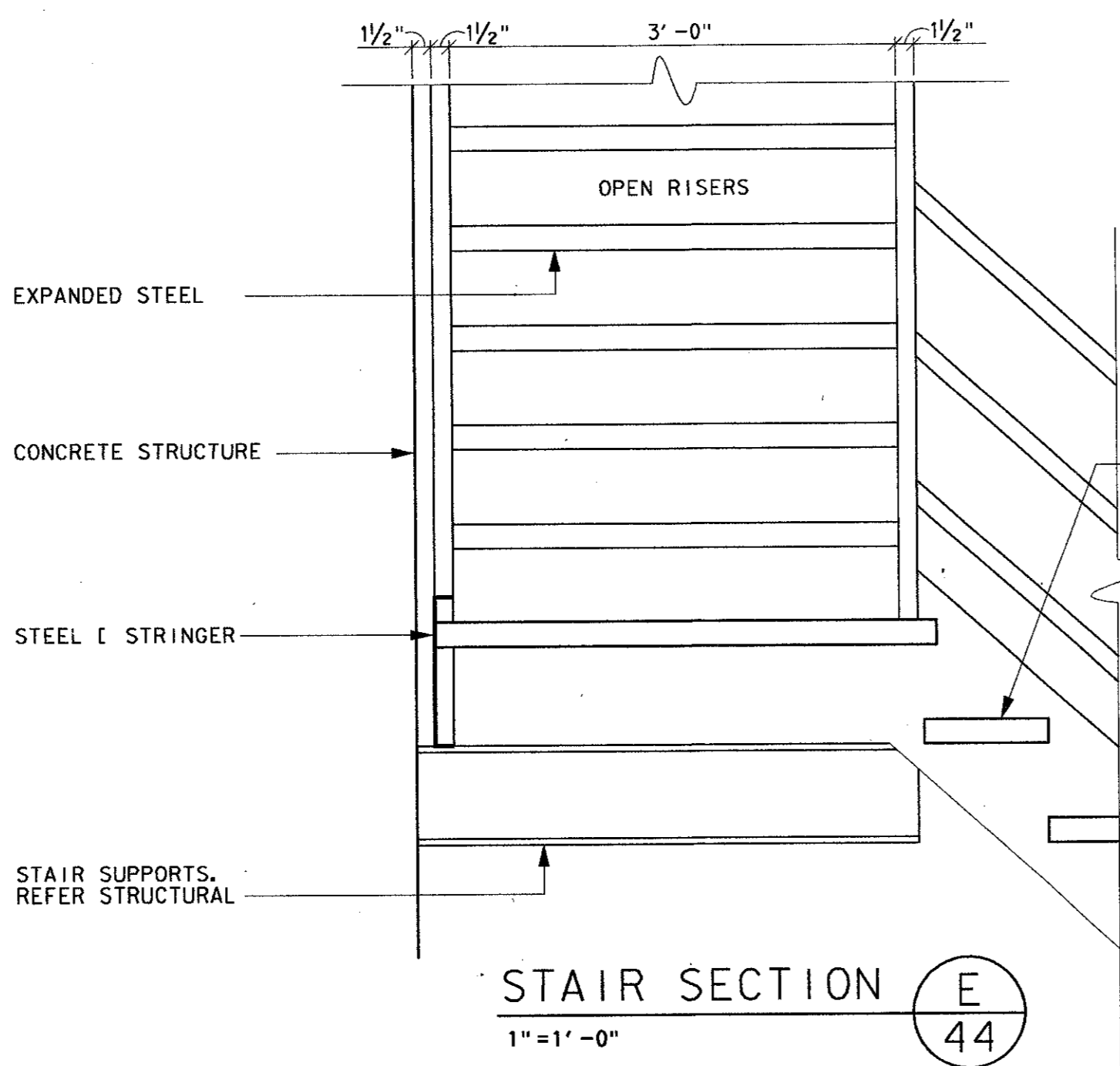
STAIR SECTION B
1"=1'-0" (B) 44



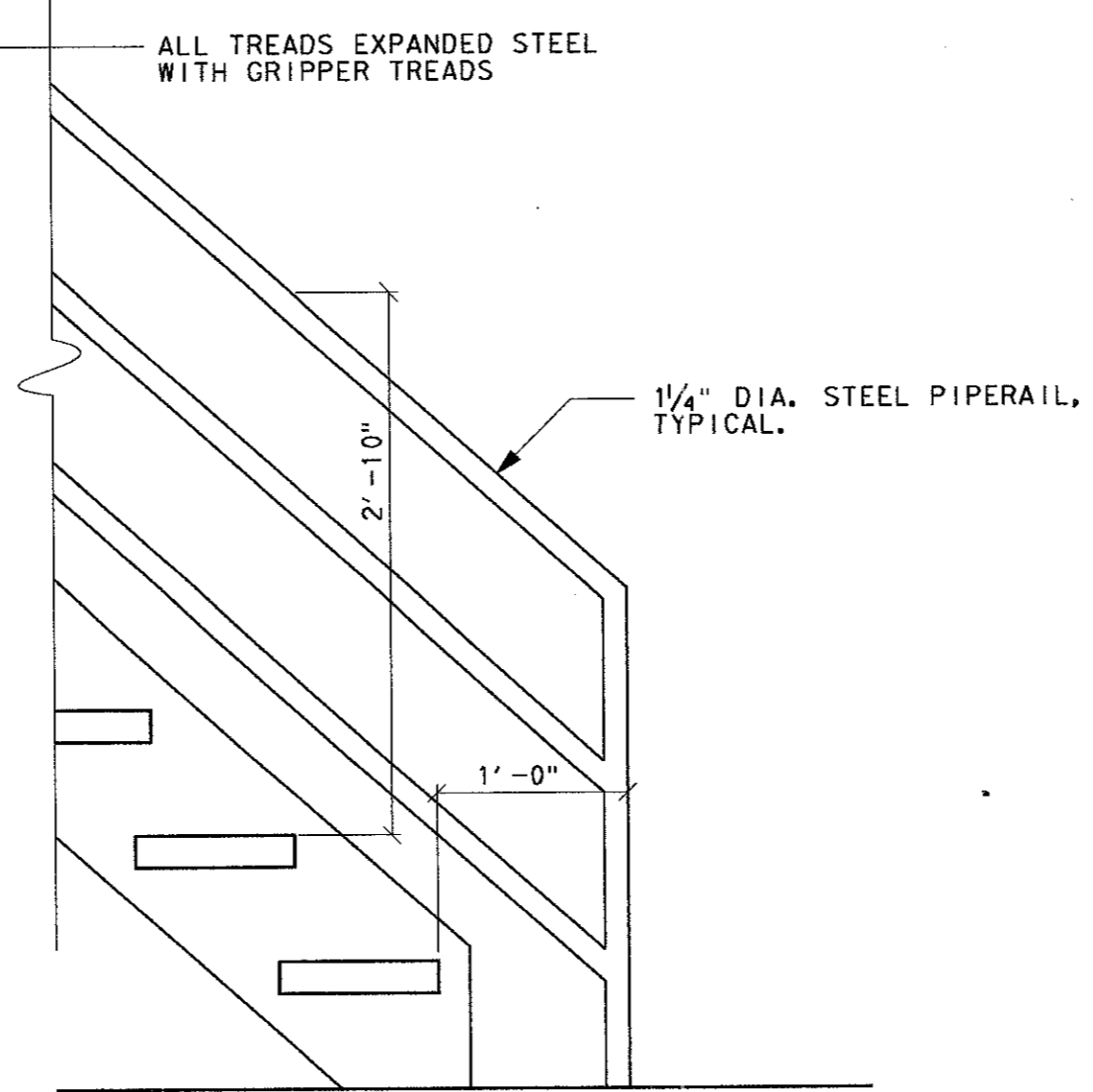
STAIR SECTION C
1"=1'-0" (C) 44



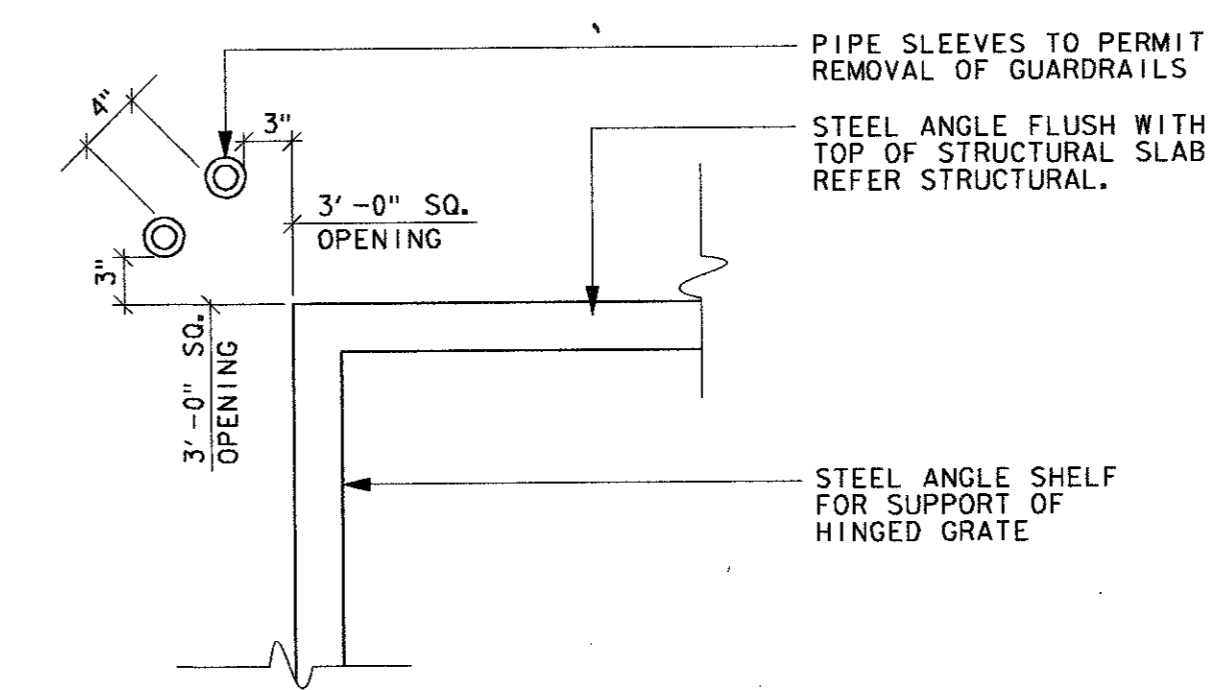
GUARDRAIL AT ACCESS HOLE
1"=1'-0" (D) 44



STAIR SECTION E
1"=1'-0" (E) 44



STAIR SECTION G
1"=1'-0" (G) 44

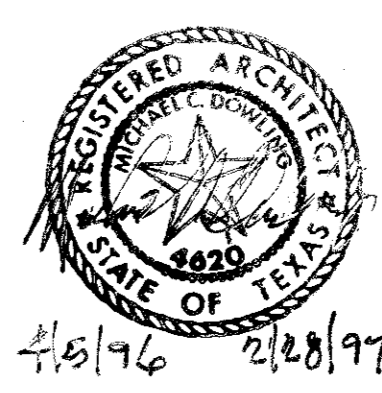


PLAN DETAIL AT ACCESS HOLE
1"=1'-0" (F) 44

4			
3			
2			
1			
NO.	DATE	REVISION	APPROV.

TOWN OF ADDISON, TEXAS
MIDWAY/BELTLINE SANITARY SEWER
PHASE II
LIFT STATION -
ARCHITECTURAL DETAILS - SHEET 2

Carter Burgess
Consultants in Engineering, Architecture,
Planning and the Environment
CARTER & BURGESS, INC.
7950 ELMBROOK DRIVE, SUITE 250
DALLAS, TX 75247-4963



Unit:	Scale:	Date:	04-05-96
Designed:	R. WRIGHT	Checked:	R. WRIGHT
Drawn:	R. WRIGHT	Approved:	J. Lindner
Job No.:	93327601D	Sheet:	44 of 63