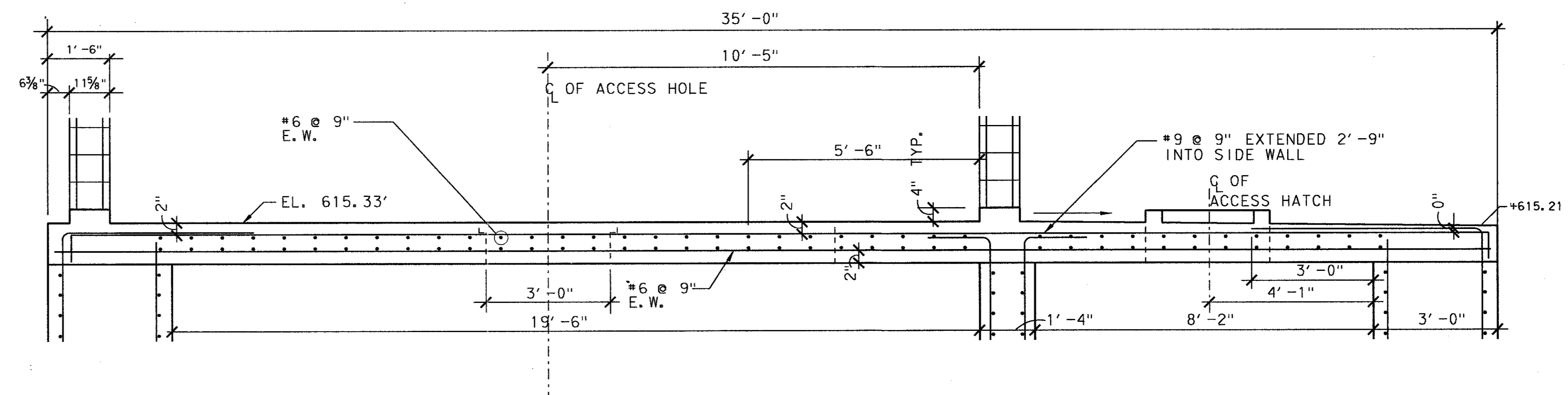
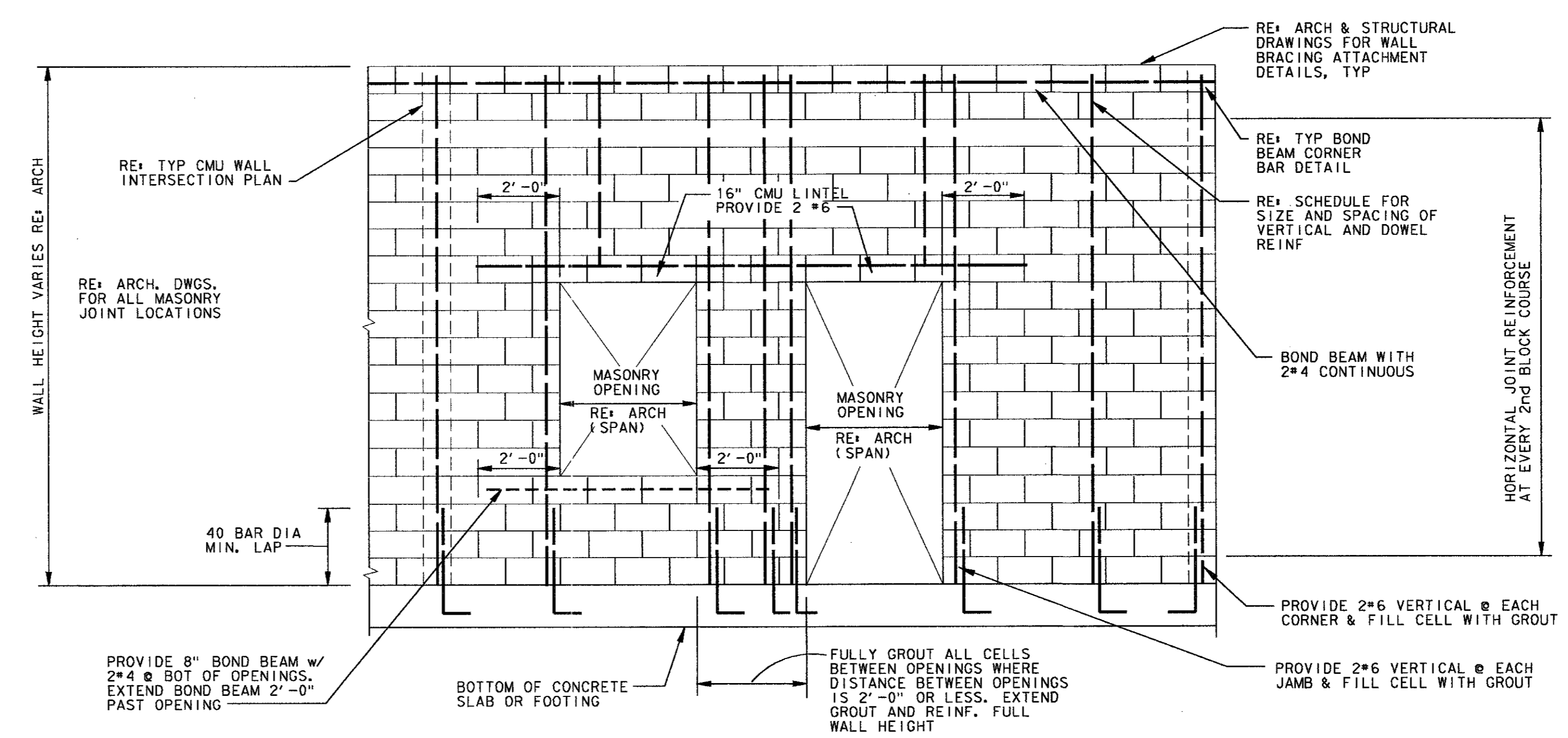


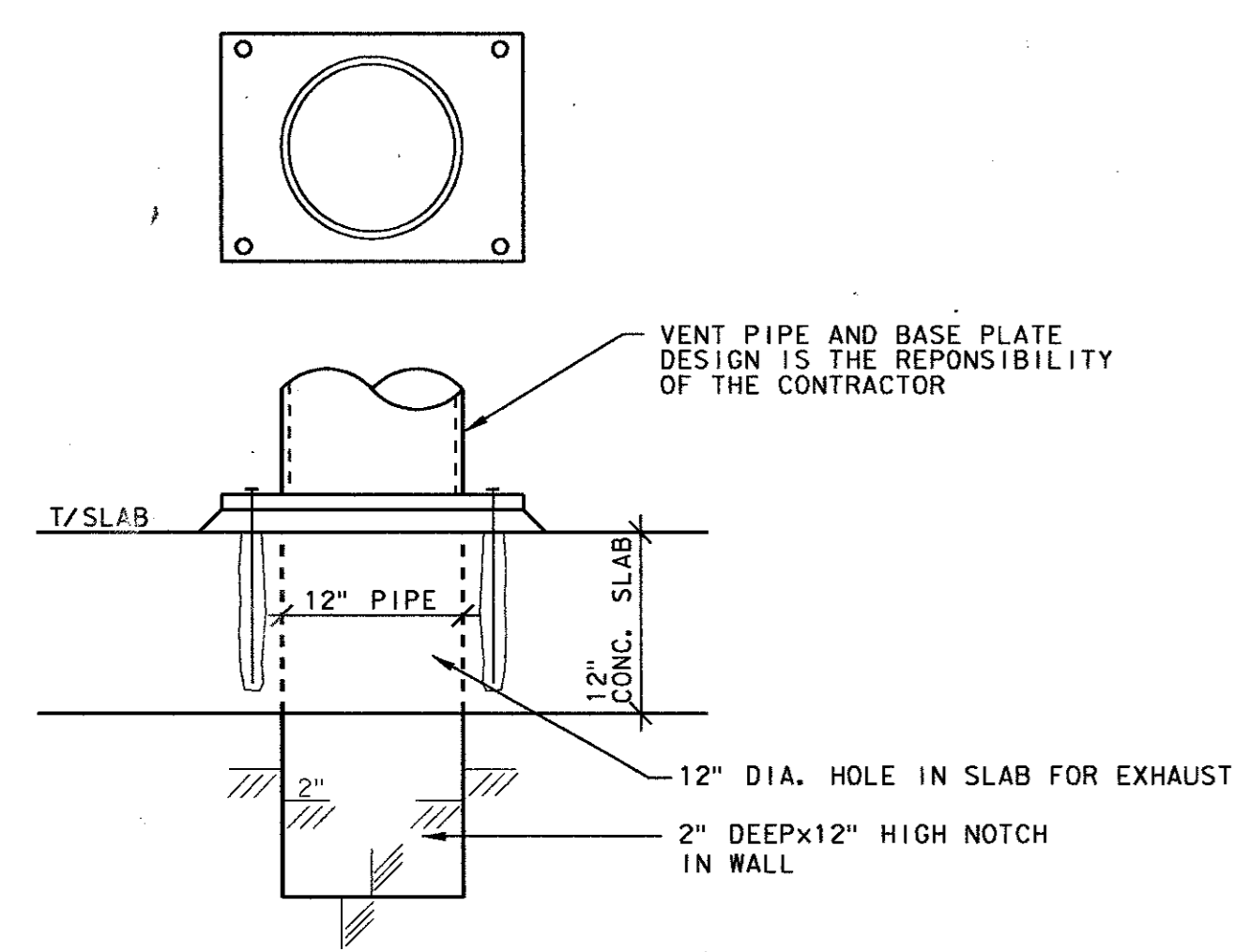
SECTION A  
1/4" = 1'-0"



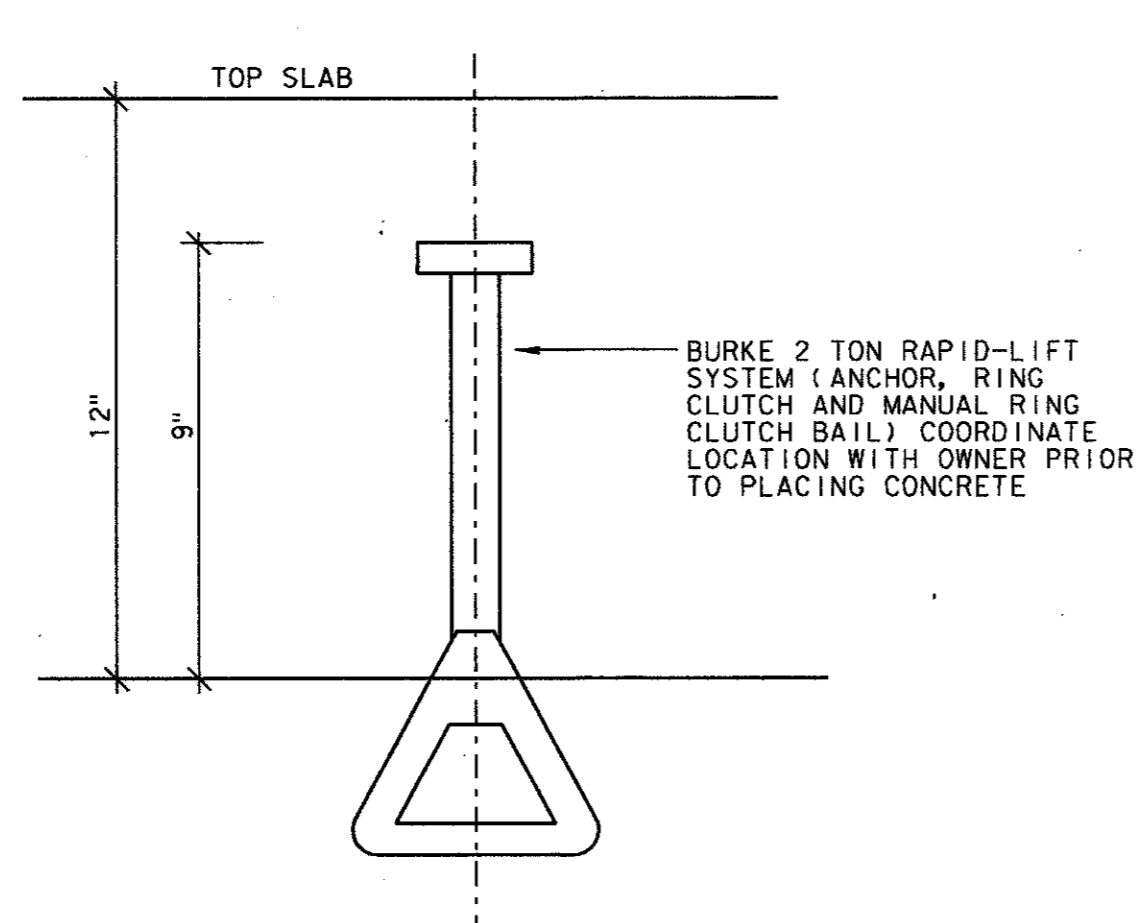
UPPER SLAB REINFORCEMENT B  
1/2" = 1'-0"



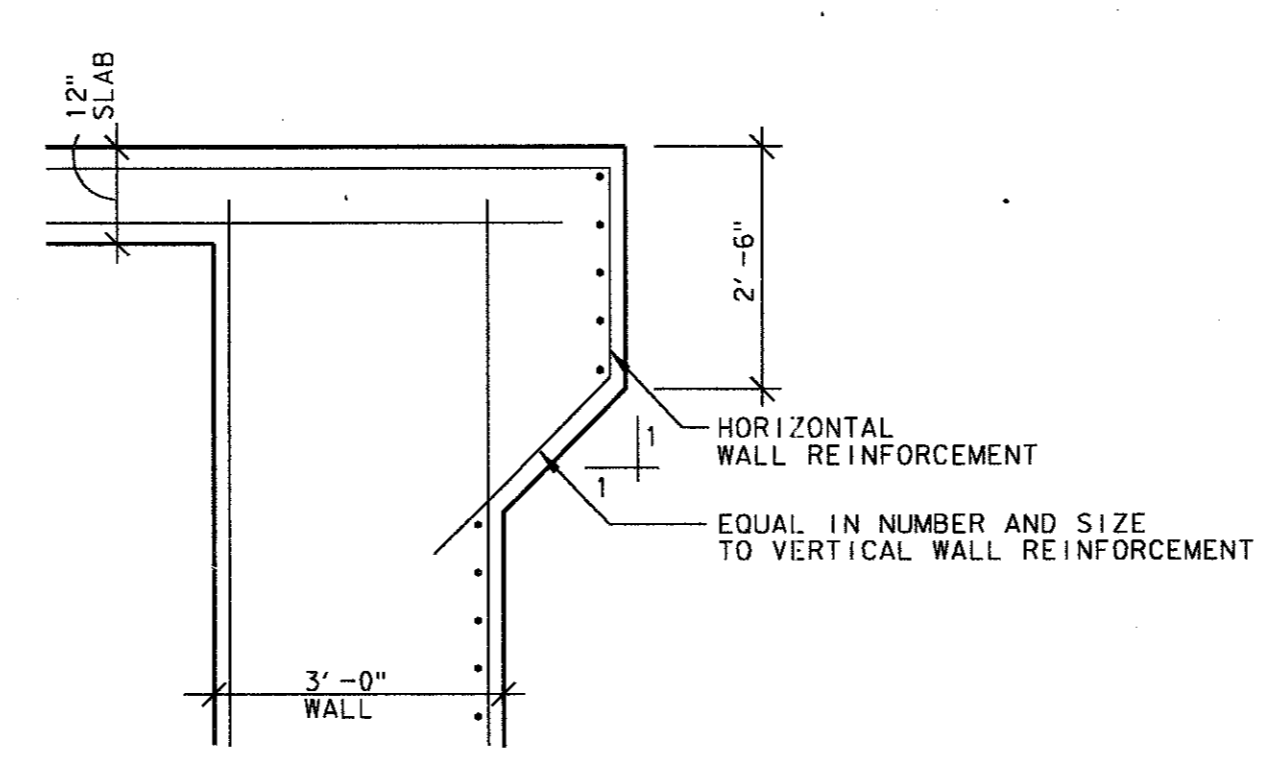
TYPICAL CMU WALL ELEVATION C  
NTS



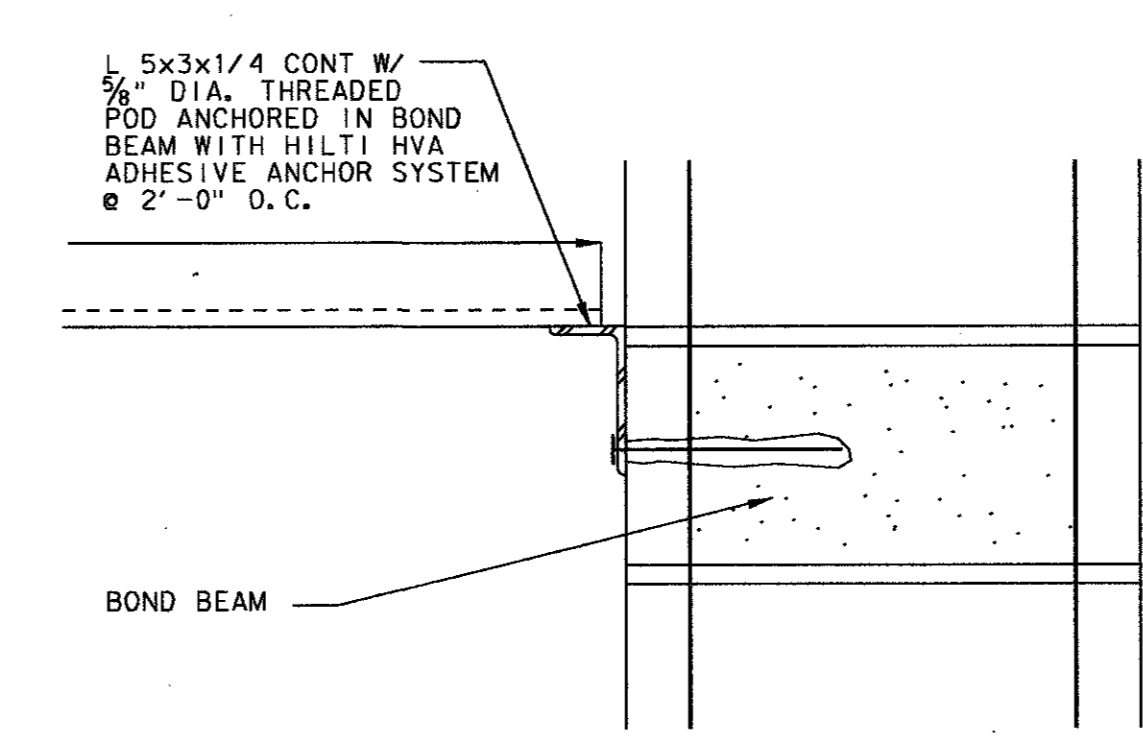
ANCHOR BOLT LAYOUT FOR VENT PIPE D  
1" = 1'-0"



EYE BOLT HANGER E  
3" = 1'-0"



DETAIL AT SLAB BRACKET F  
1/2" = 1'-0"



ROOF DECK WALL SUPPORT G  
NTS

4			
3			
2			
1			
NO.	DATE	REVISION	APPROV.
<b>TOWN OF ADDISON, TEXAS</b> <b>MIDWAY/BELTLINE SANITARY SEWER</b> <b>PHASE II</b> <b>LIFT STATION - STRUCTURAL</b> <b>BUILDING SECTIONS AND DETAILS</b>			
<b>Carter &amp; Burgess</b> <small>Consultants in Engineering, Architecture, Planning and the Environment</small> <b>CARTER &amp; BURGESS, INC.</b> <small>7950 ELMBROOK DRIVE, SUITE 250 DALLAS, TX 75247-4951</small>			
Unit	Scale	Date	04-05-96
Designed	K. Houghton	Checked	K. Houghton
Drawn	C. Sommons	Approved	J. Lindner
		Job No.	93327601D
		Sheet	47 of 63

