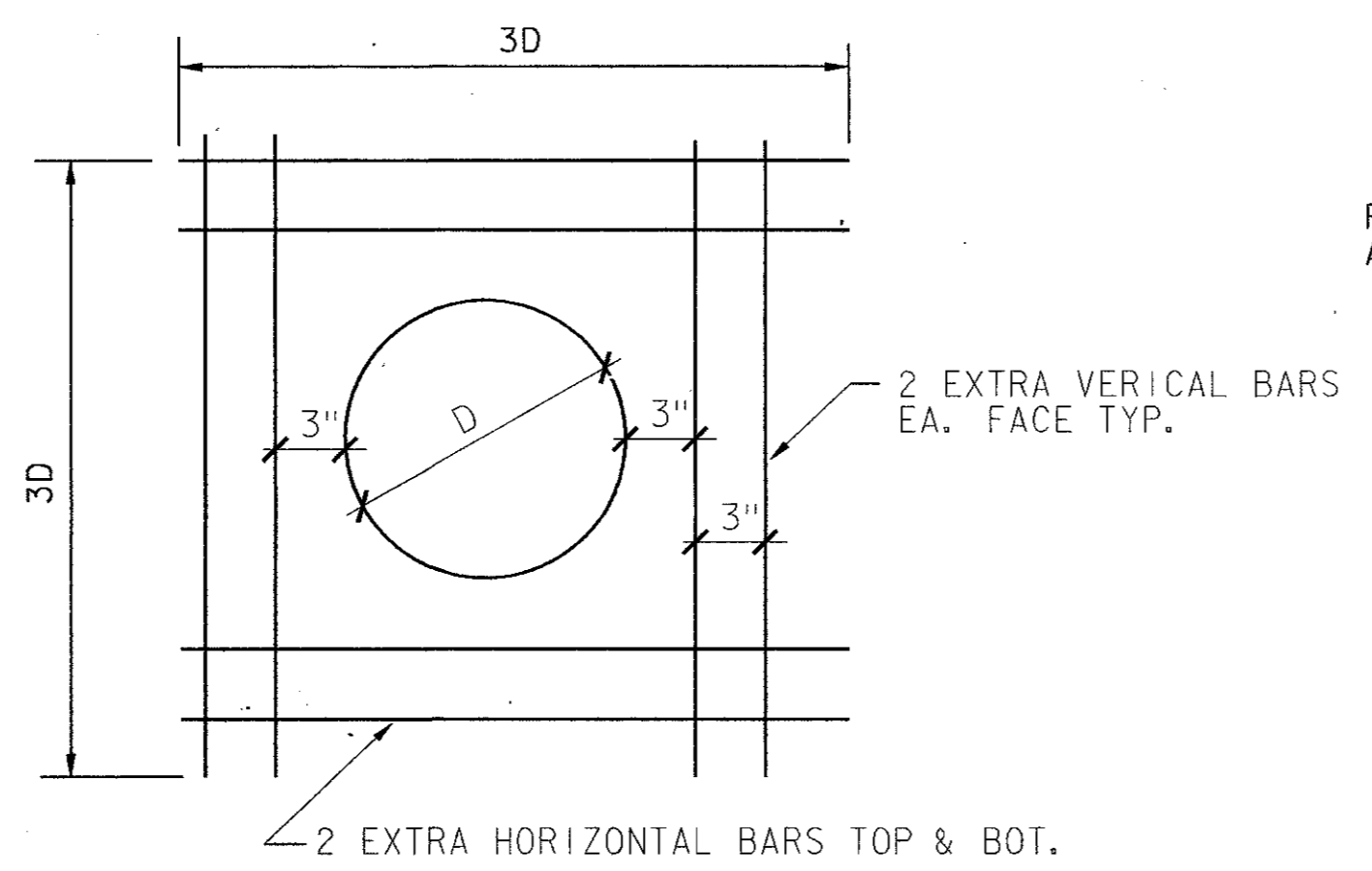
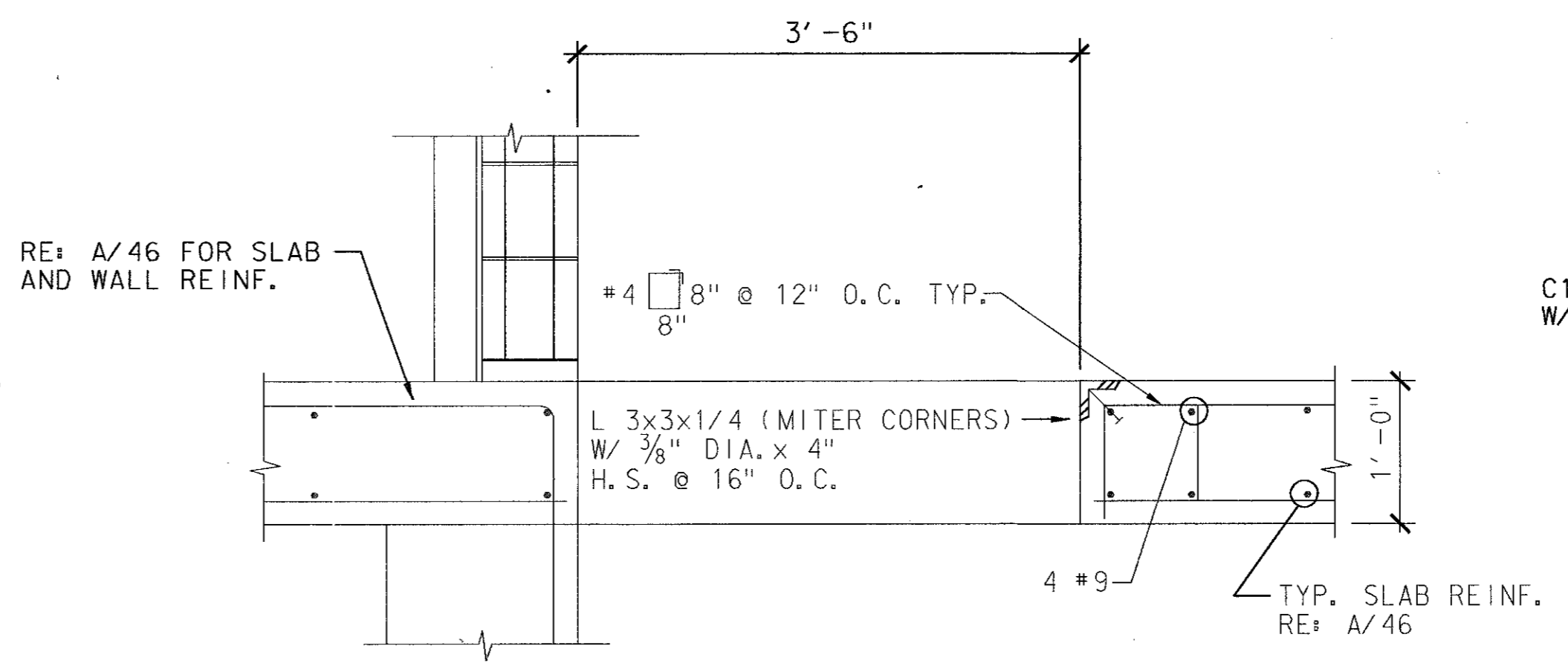


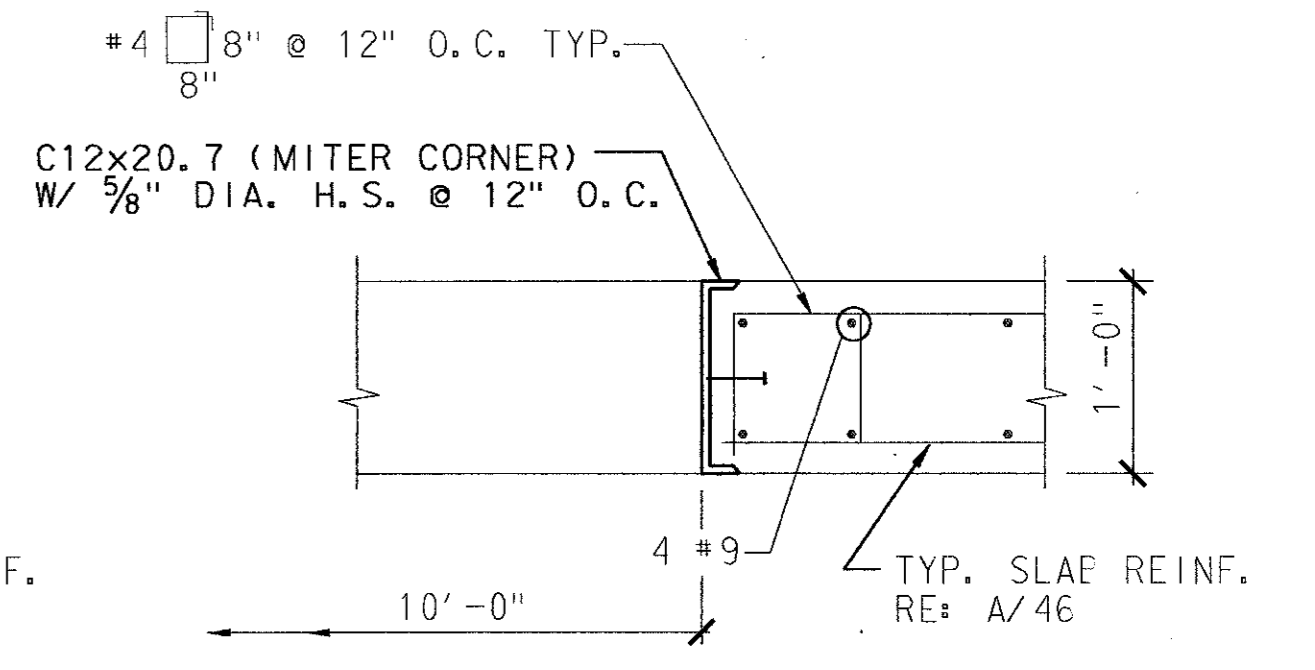
TYPICAL DETAIL **A**
1" = 1'-0"



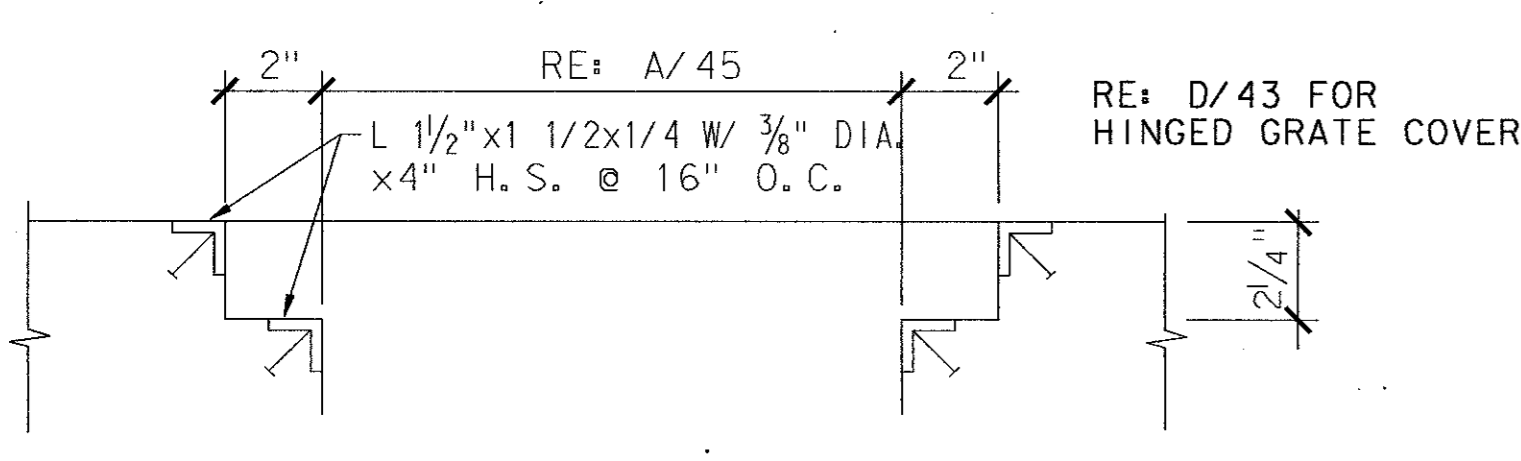
REINFORCEMENT AROUND WALL OPENINGS **B**
1/2" = 1'-0"



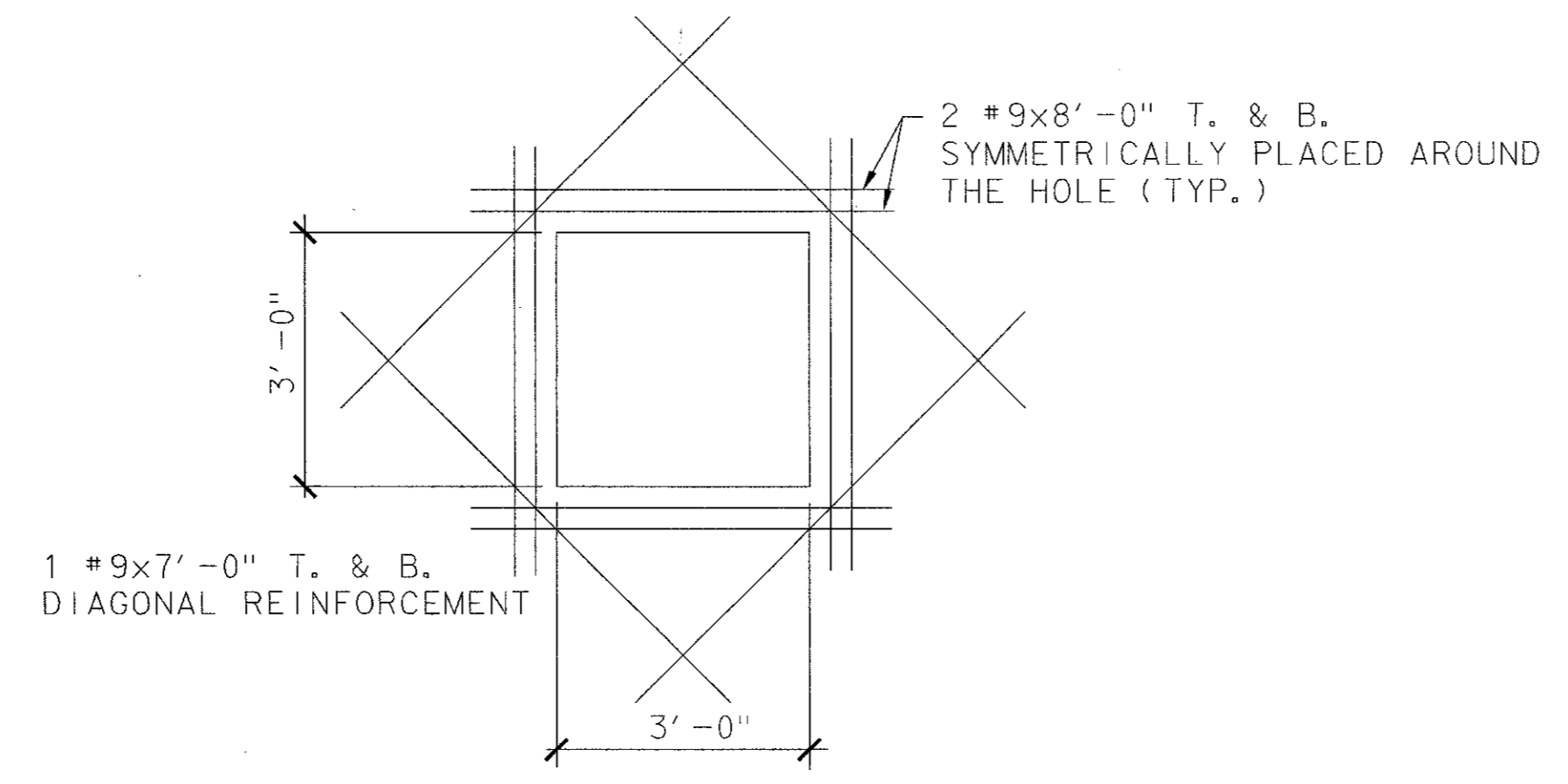
SECTION AT STAIR OPENINGS **C**
1" = 1'-0"



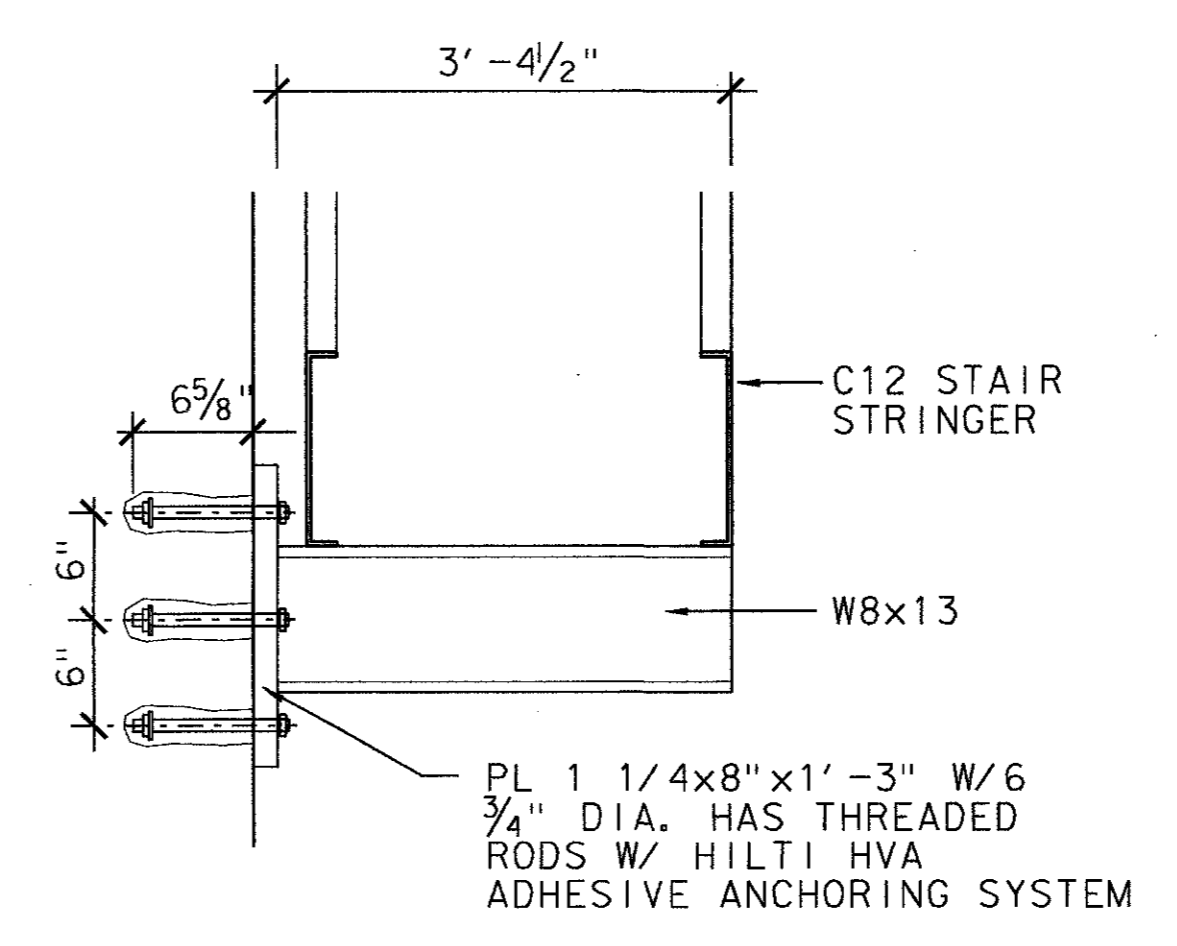
LONG SECTION AT STAIR OPENING **D**
1" = 1'-0"



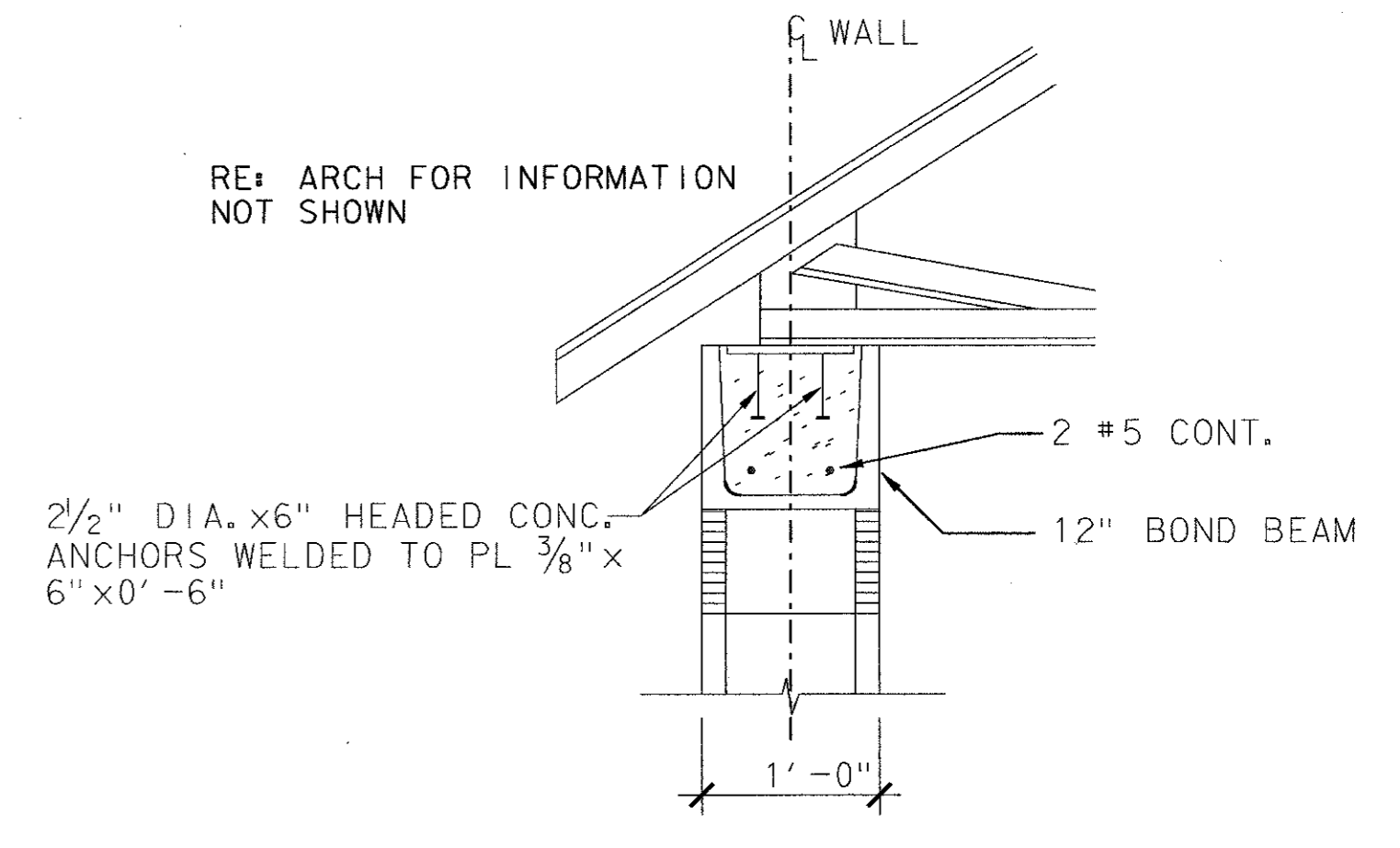
SECTION AT ACCESS HOLE **E**
1" = 1'-0"



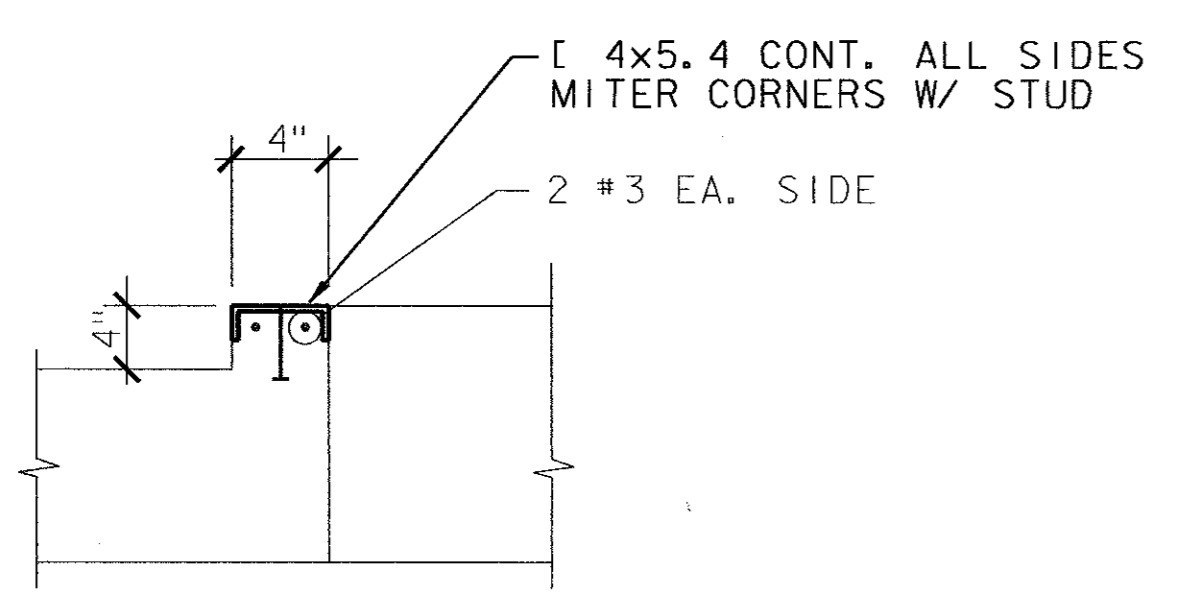
DETAIL - 3'-0" SQ. OPENINGS **F**
1/2" = 1'-0"



TYPICAL STAIR SUPPORT **G**
1" = 1'-0"



TRUSS SEAT AT BOND BEAM **H**
1" = 1'-0"

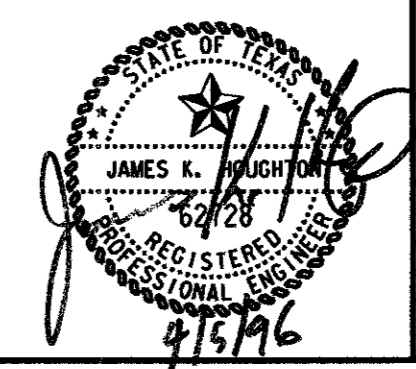


HATCH AND FAN OPENING DETAIL **I**
1" = 1'-0"

4			
3			
2			
1			
NO.	DATE	REVISION	APPROV.

TOWN OF ADDISON, TEXAS
MIDWAY/BELTLINE SANITARY SEWER
PHASE II
LIFT STATION
STRUCTURAL DETAILS

Carter Burgess
Consultants in Engineering, Architecture,
Planning and the Environment
CARTER & BURGESS, INC.
7950 ELMBROOK DRIVE, SUITE 250
DALLAS, TX 75247-4961



Unit	Scale	Date	04-05-96
Designed	K. Houghton	Checked	K. Houghton
Drawn	C. Sammons	Approved	J. Lindner
		Job No.	93327601D
		Sheet	48 of 63