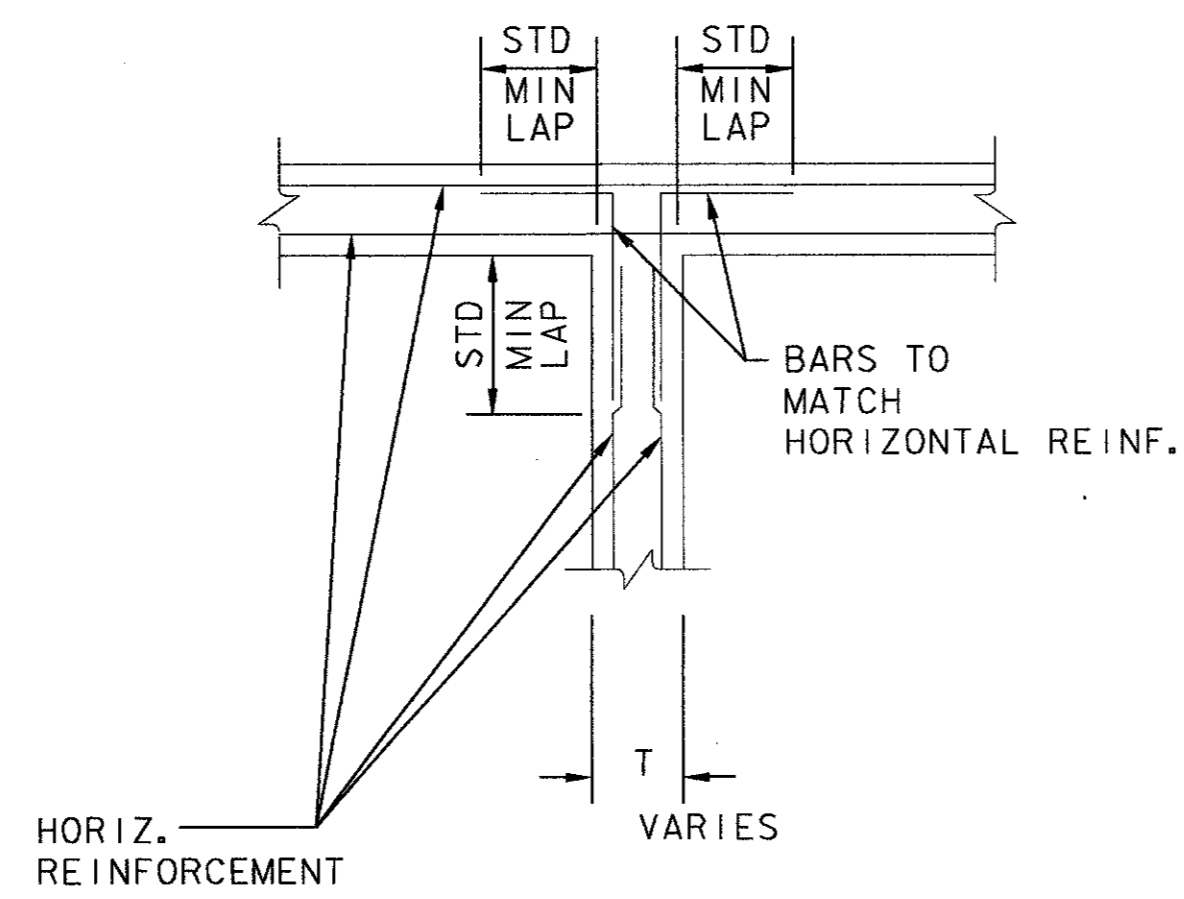


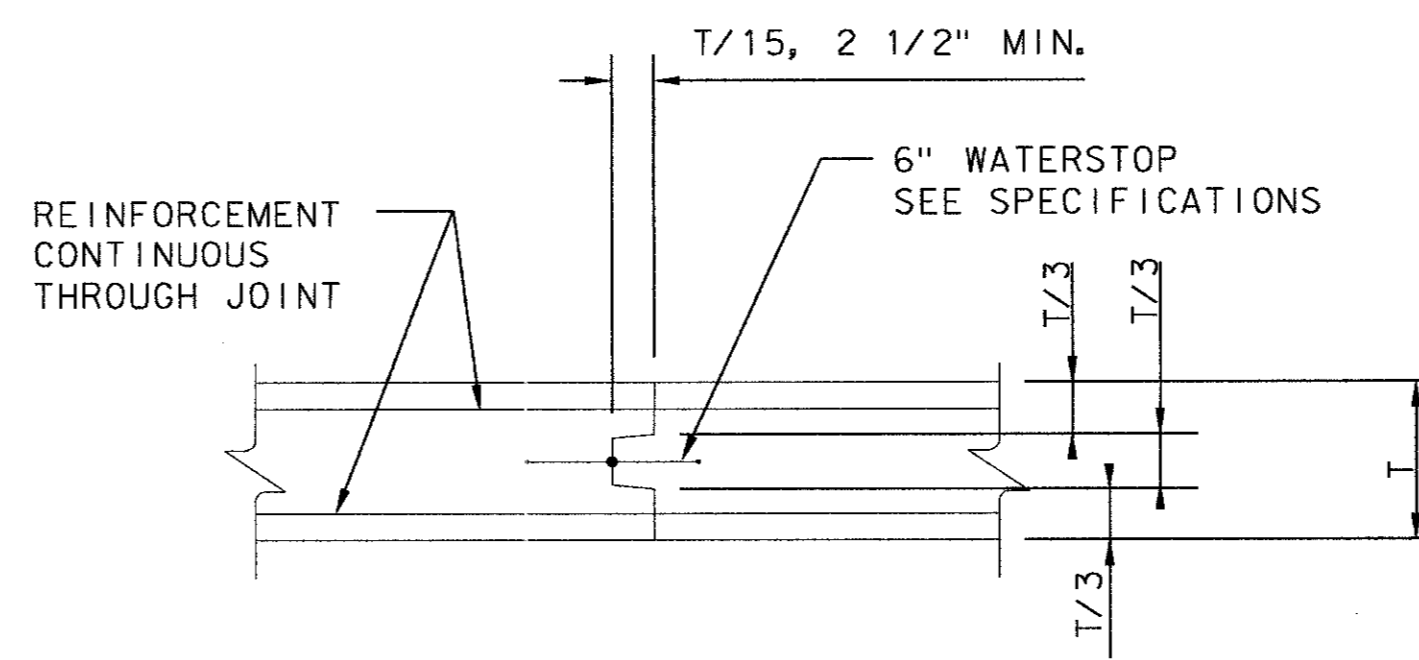
TYPICAL CORNER DETAIL (A)

NTS



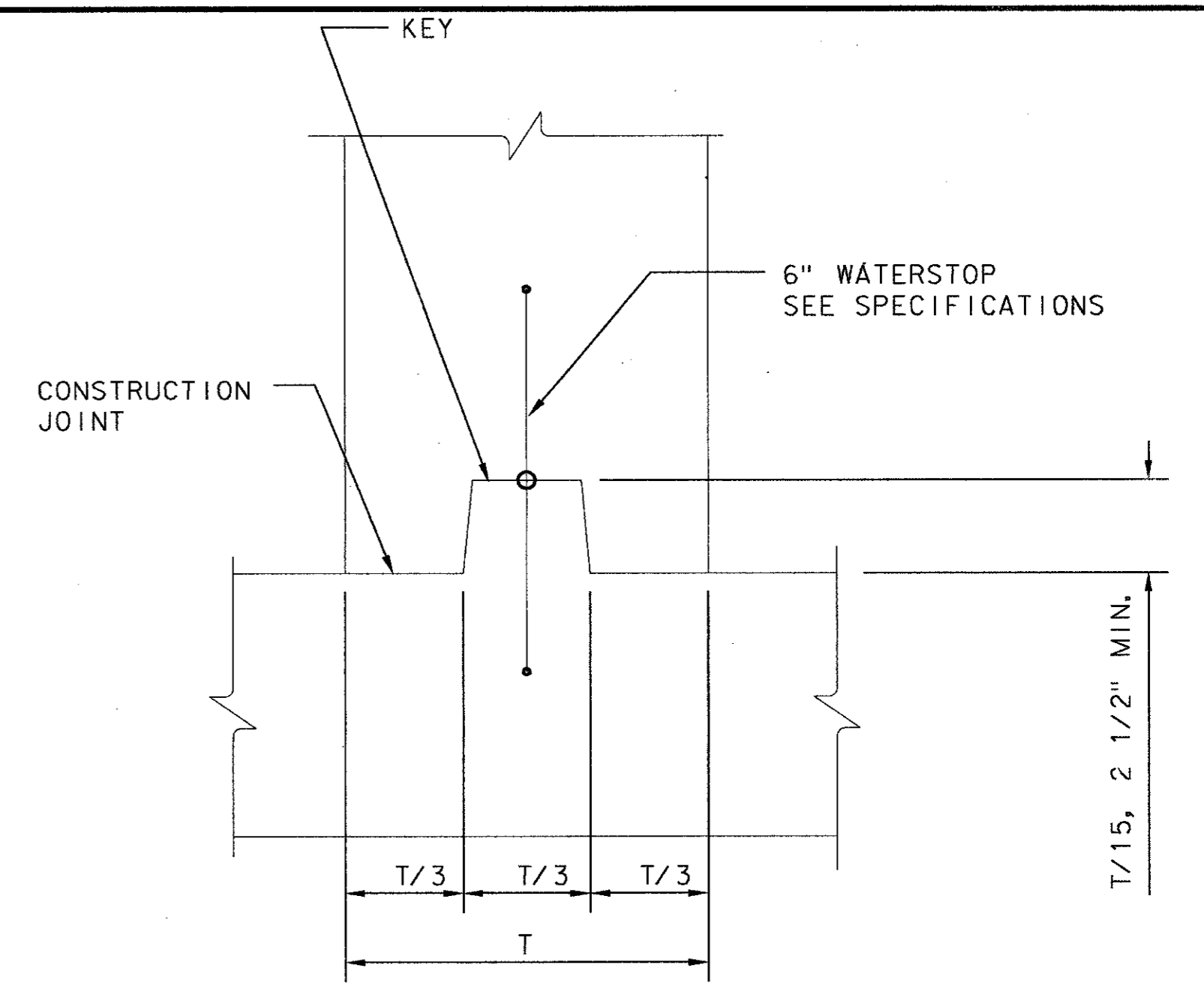
TYPICAL WALL TO WALL DETAIL (B)

NTS



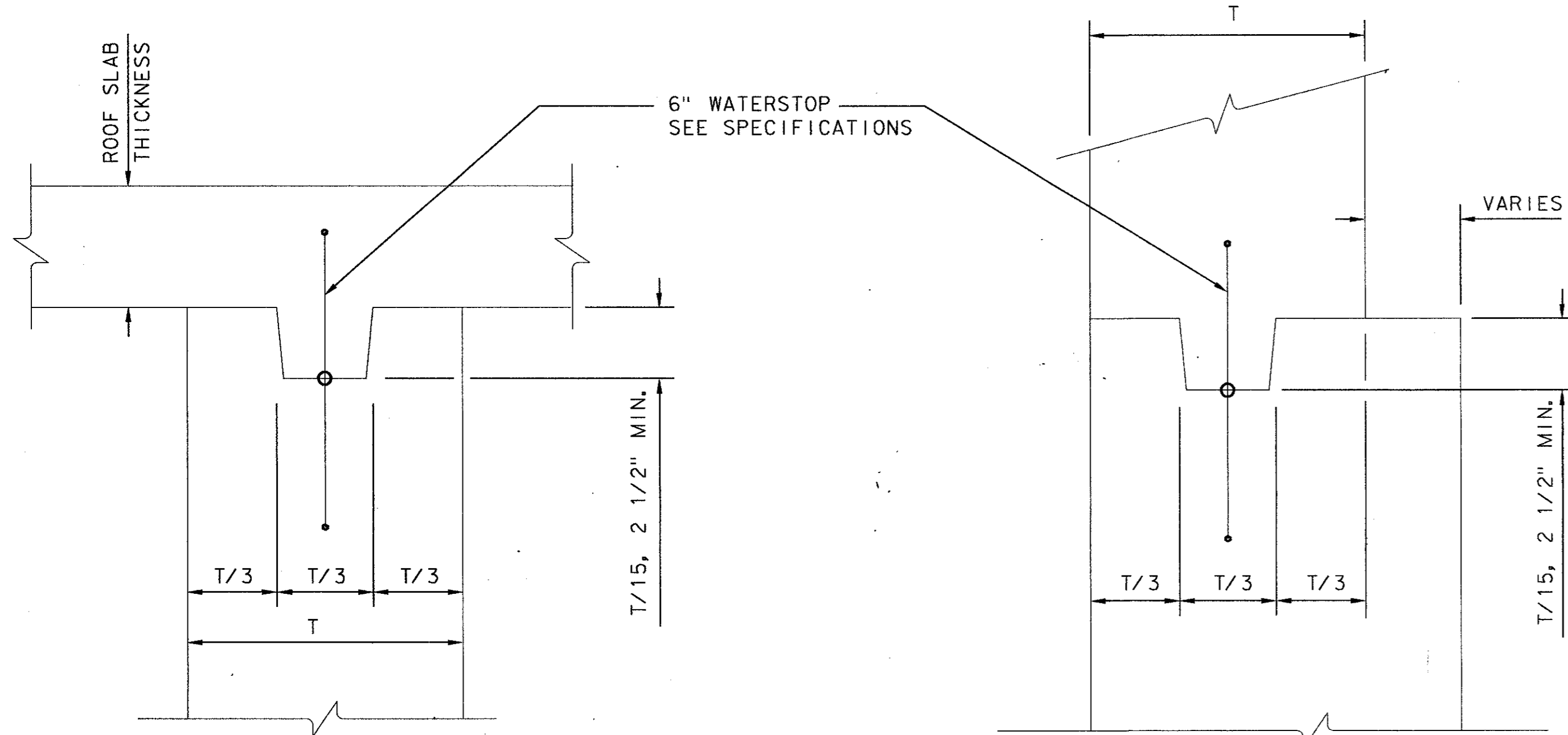
CONSTRUCTION JOINT AT SLAB (C)

NTS



CONSTRUCTION JOINT LOWER SLAB TO WALL (D)

NTS

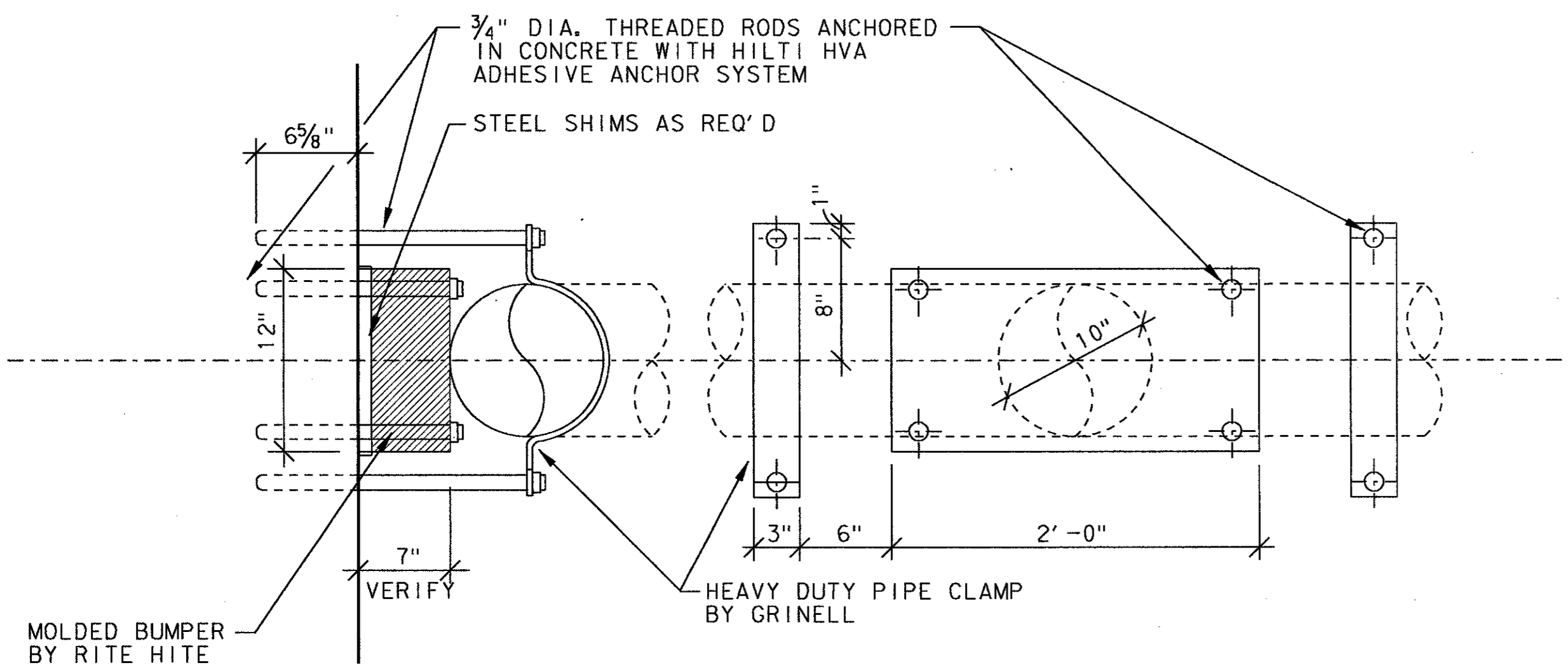


CONSTRUCTION JOINT UPPER SLAB TO WALL (E)

NTS

HORIZ. OR VERT. CONSTRUCTION JOINT AT WALL (F)

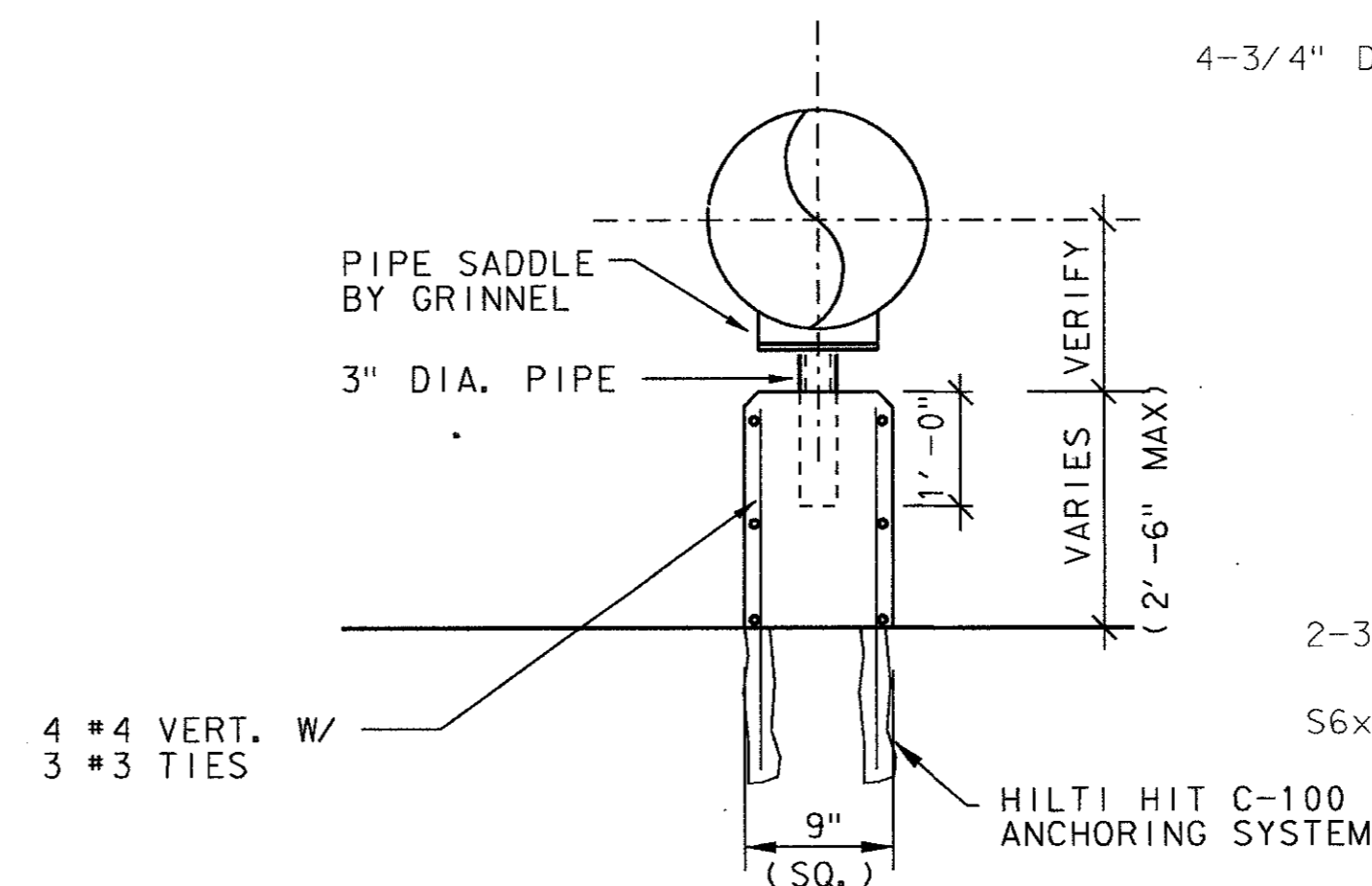
NTS



REF TO MECH DWGS FOR PIPE SIZE AND THRUST BLOCK LOCATIONS

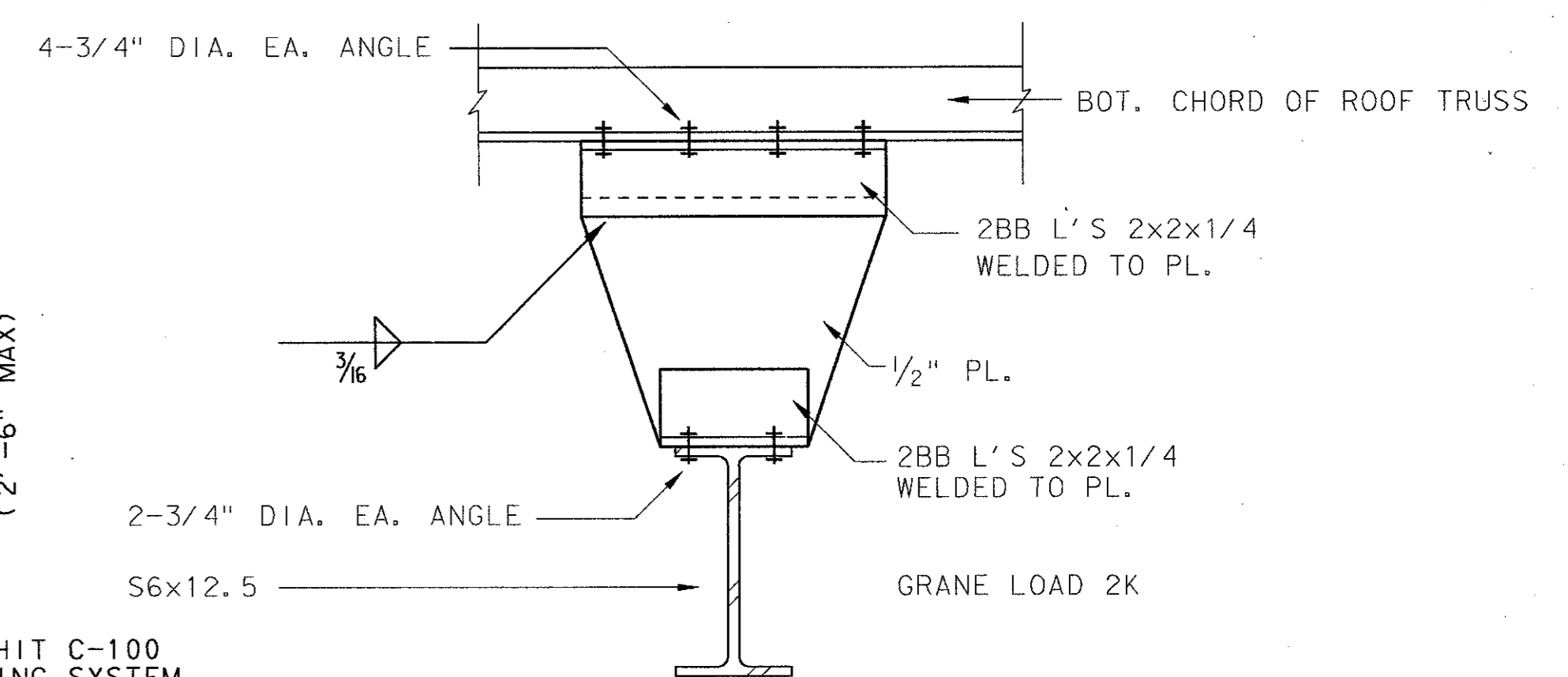
THRUST BLOCK DETAIL (I)

1/2" = 1'-0"



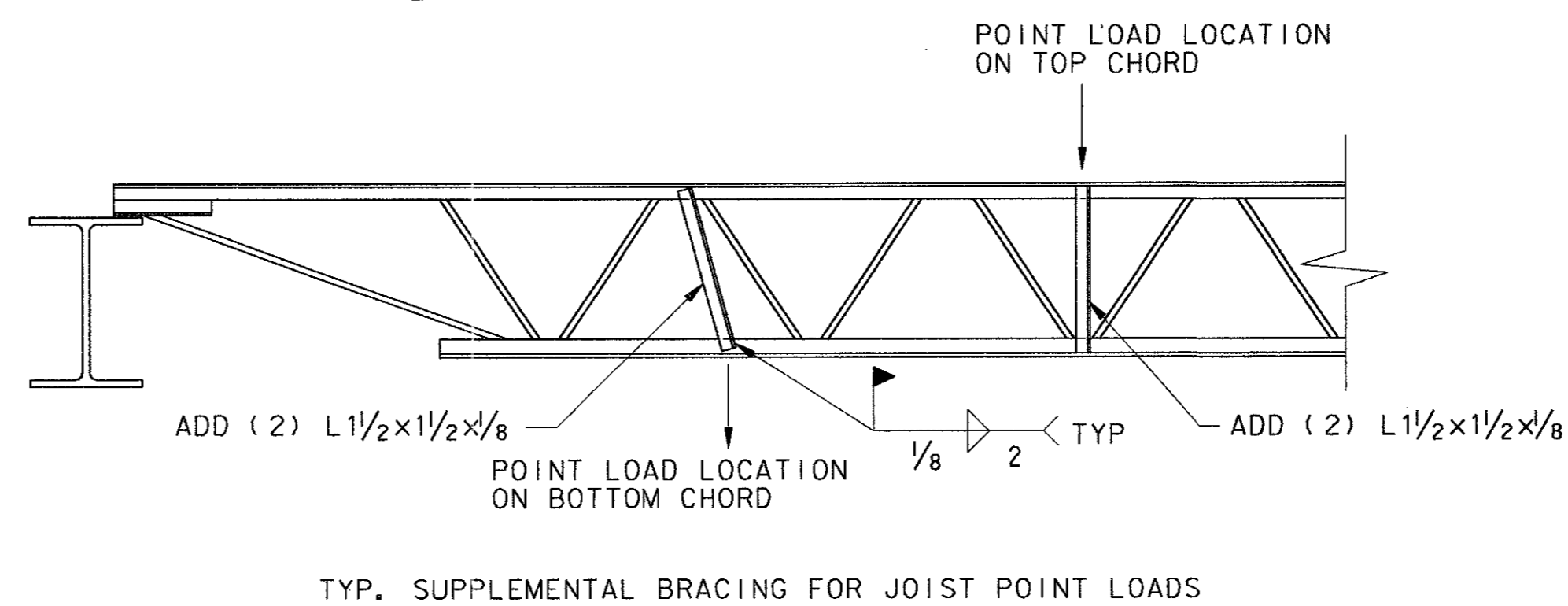
TYPICAL PUMP SUPPORT (G)

1" = 1'-0"



MONORAIL HOIST BEAM HANGER (H)

3" = 1'-0"



NOTE: USE THIS DETAIL WHEN POINT LOAD EXCEEDS 20 LBS. AND IS 6" OR MORE AWAY FROM PANEL POINT. ANGLES TO BE IN PLACE PRIOR TO APPLICATION OF LOAD. CONTRACTOR SHALL COORDINATE ALL SUPERIMPOSED LOADS WITH THE JOIST MANUFACTURER PRIOR TO JOIST FABRICATION. LOCATIONS OF THESE LOADS SHALL BE ON THE SUBMITTED JOIST SHOP DRAWINGS.

TYP. JOIST CHORD BRACING DETAIL (J)

1" = 1'-0"

4			
3			
2			
1			
NO.	DATE	REVISION	APPROV.
TOWN OF ADDISON, TEXAS			
MIDWAY/BELTLINE SANITARY SEWER PHASE II			
LIFT STATION STRUCTURAL DETAILS			
Carter & Burgess <small>Consultants in Engineering, Architecture, Planning and the Environment</small> CARTER & BURGESS, INC. <small>7350 EMBROOK DRIVE, SUITE 250 DALLAS, TX 75247-4960</small>			
Unit	Scale	Date	04-05-96
Designed	K. Houghton	Checked	K. Houghton
Drawn	C. Sammons	Approved	J. Lindner
		Job No.	93327601D
		Sheet	49 of 63

415196