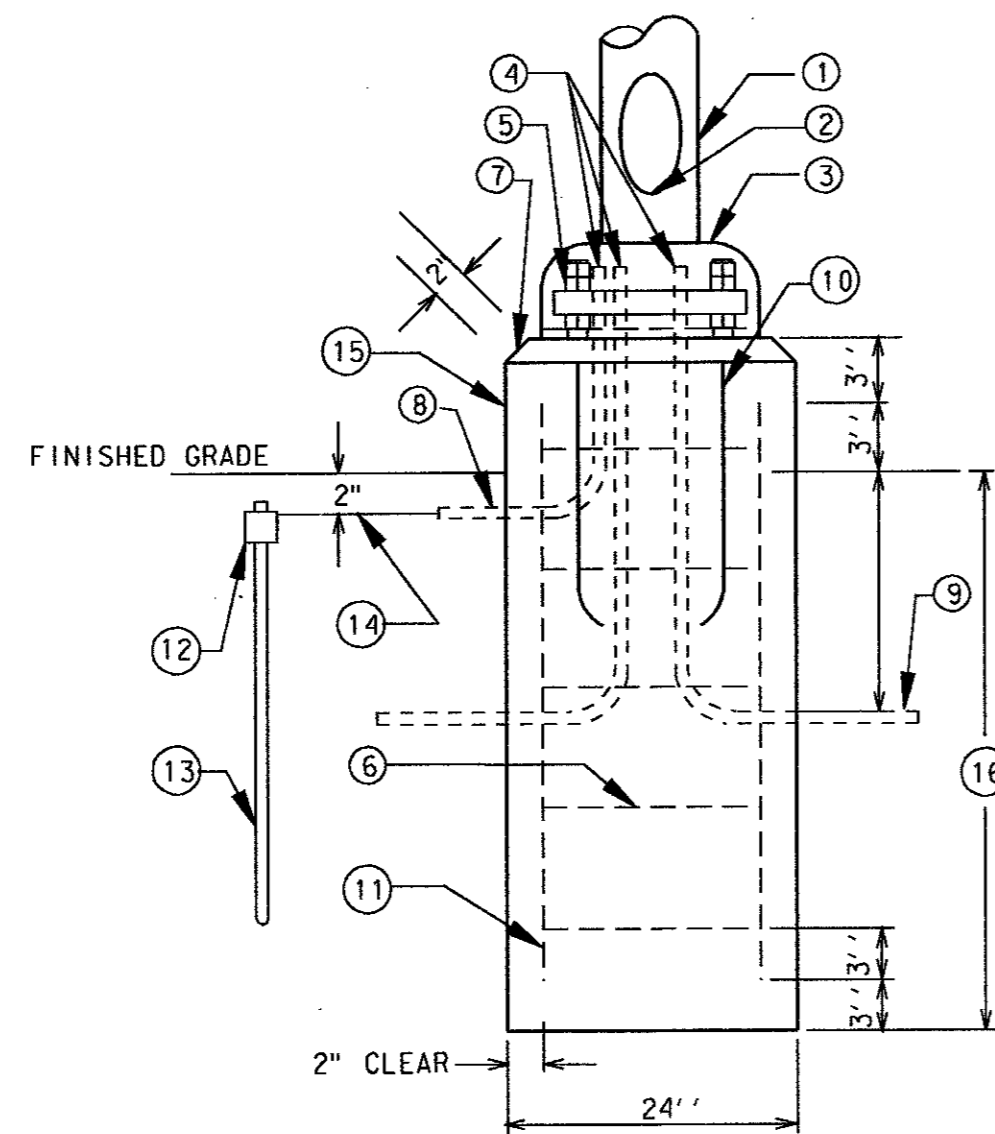
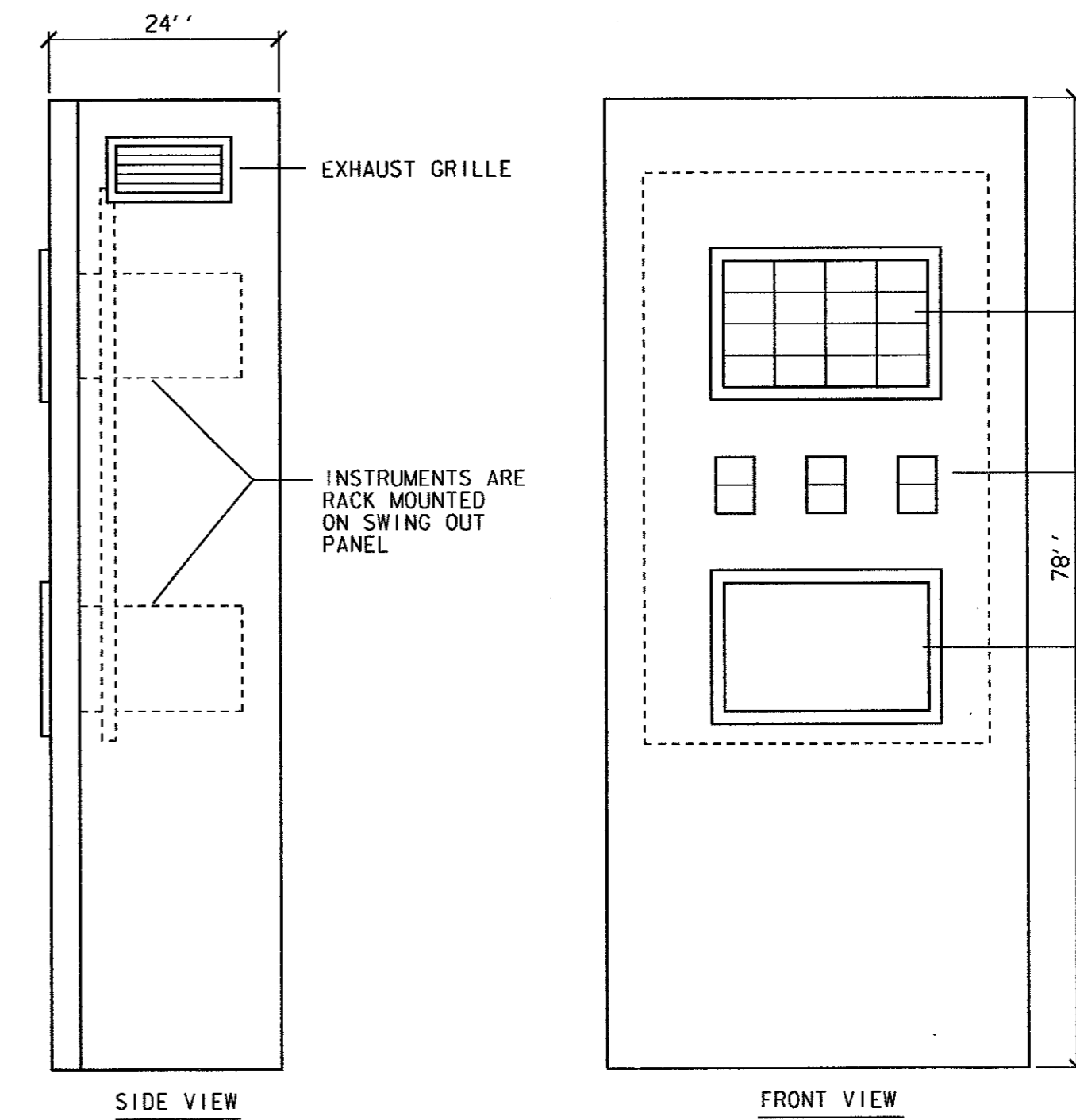


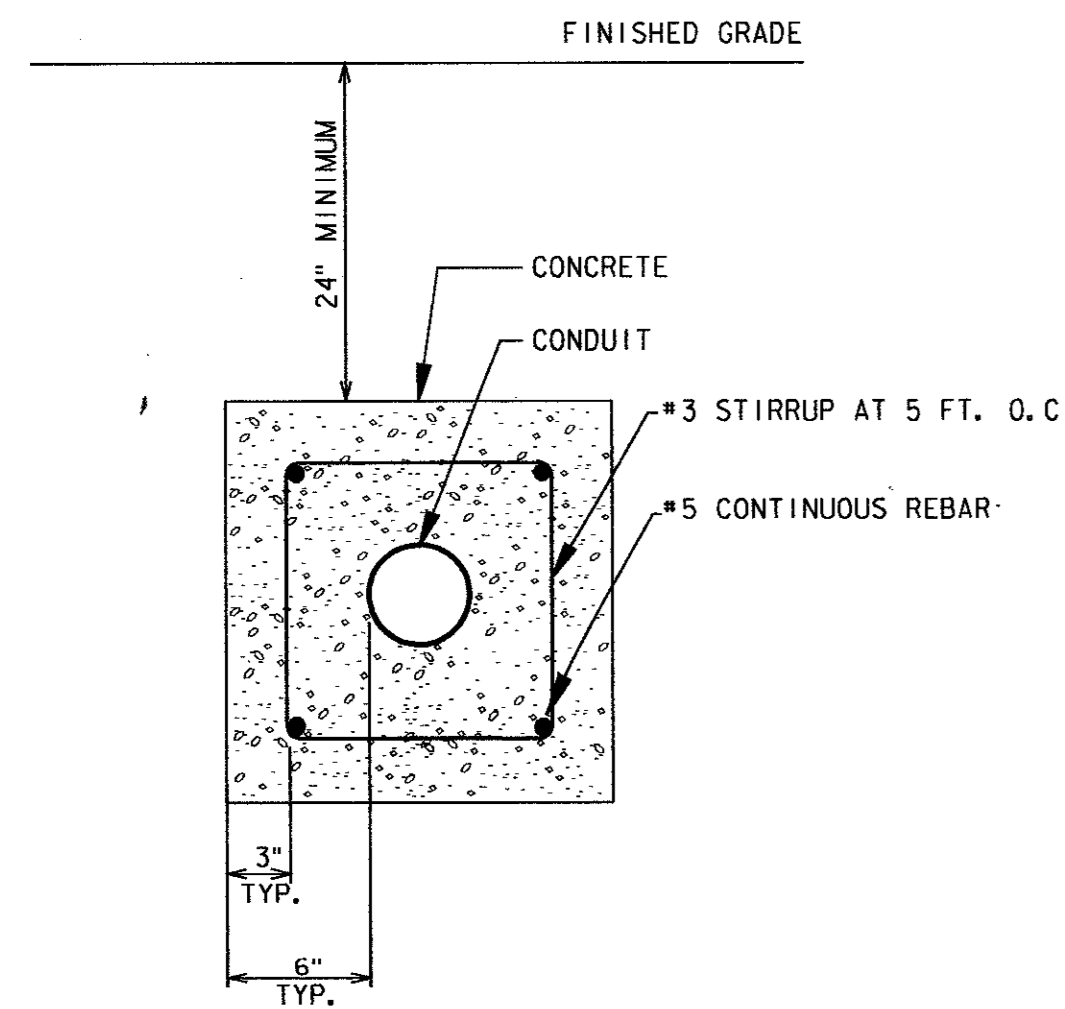
1 2E4 DUCT BANK
58 SCALE: NO SCALE



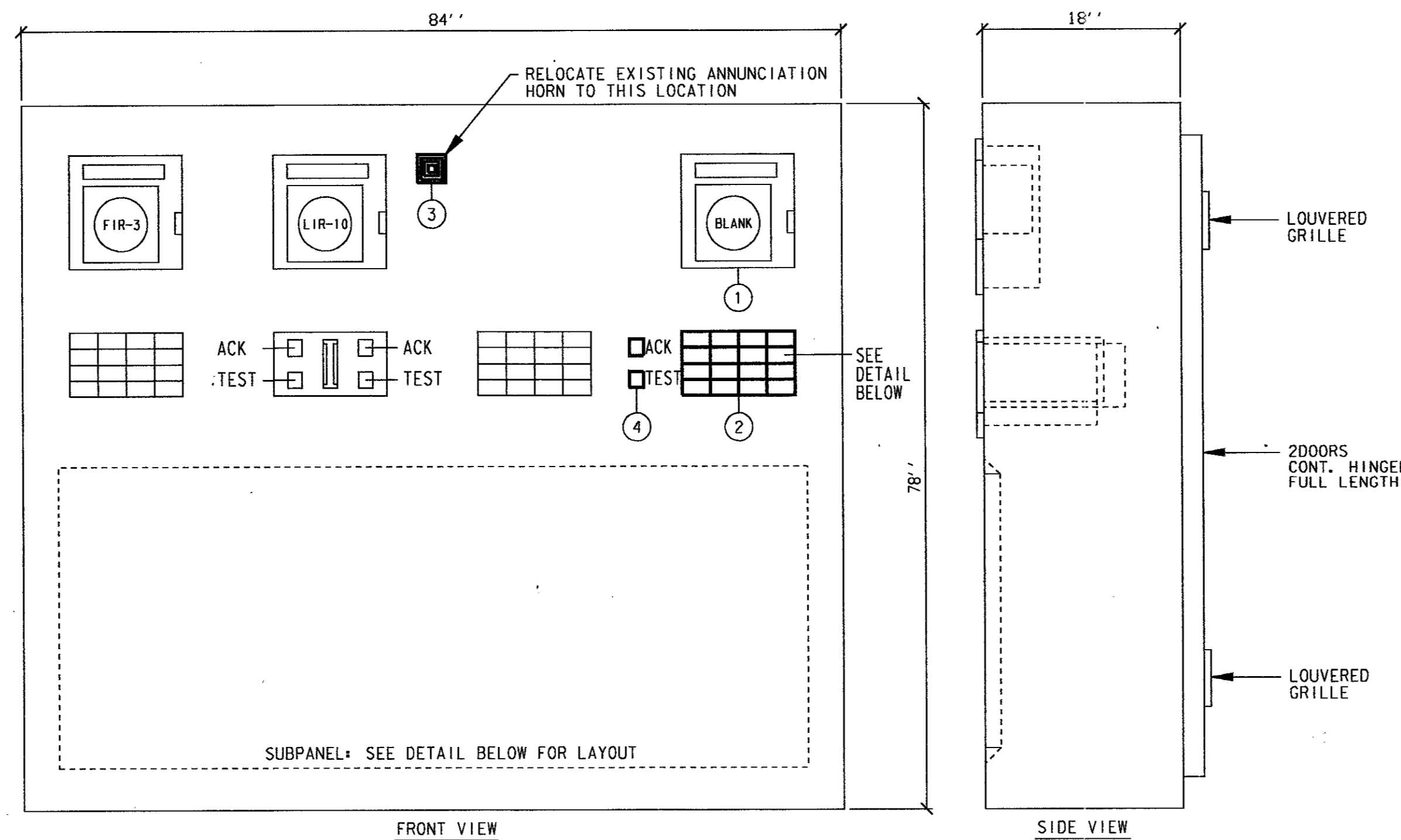
4 POLE BASE DETAIL
58 SCALE: NO SCALE



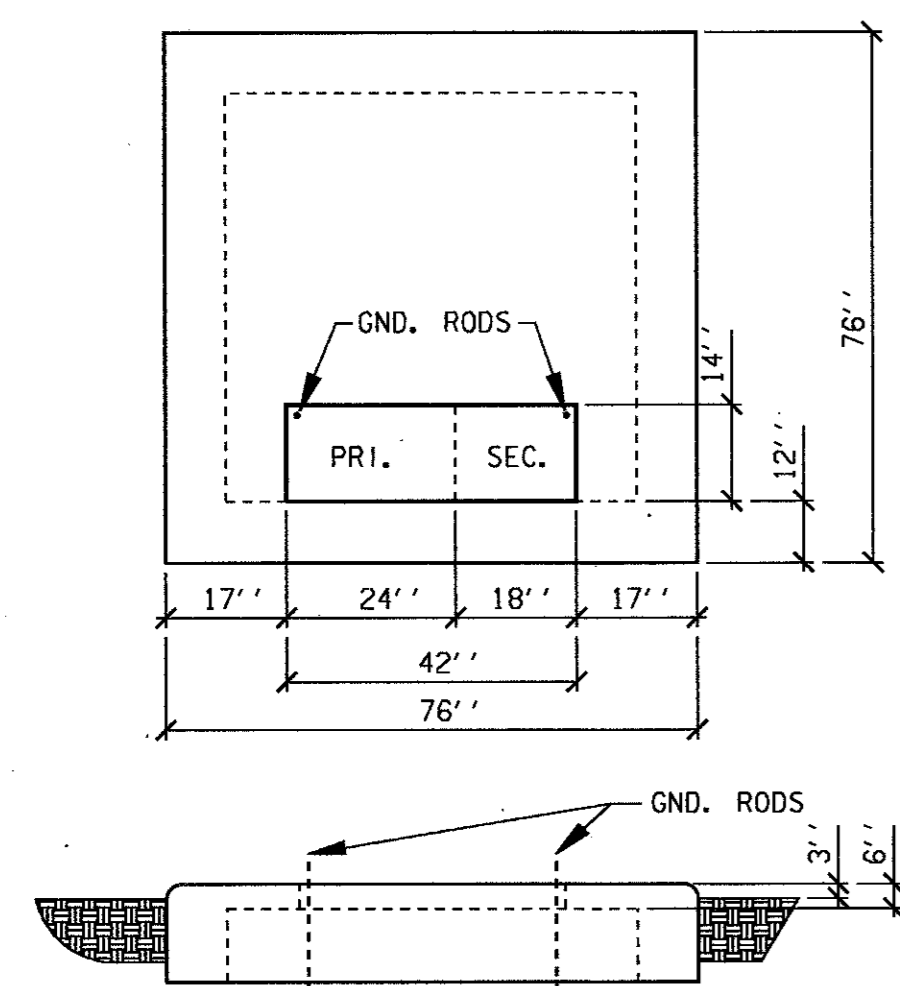
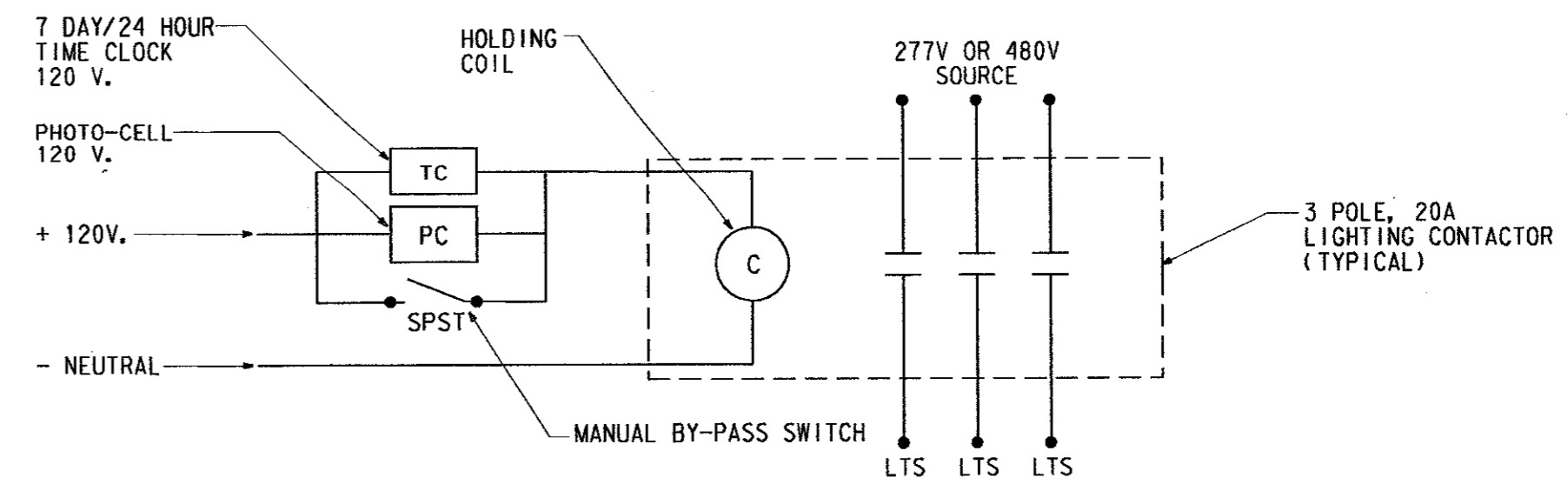
6 LEVEL CONTROL/TELEMETRY PANEL DETAIL
58 SCALE: NO SCALE



2 1E2 DUCT BANK
58 SCALE: NO SCALE

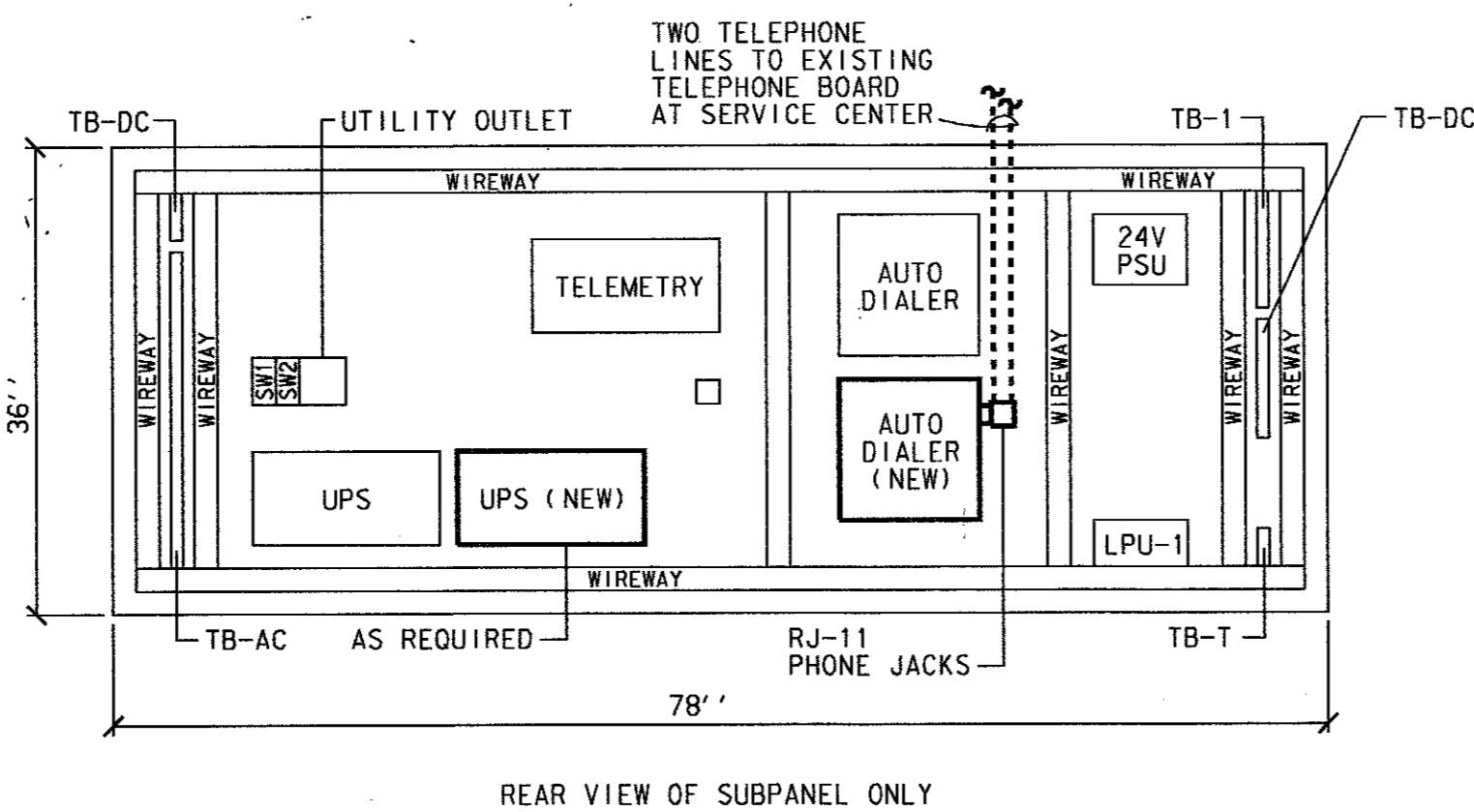


7 SITE LIGHTING CONTROL SCHEMATIC
58 SCALE: NO SCALE



3 PADMOUNT TRANSFORMER PAD DETAIL
58 SCALE: NO SCALE

CONTRACTOR CONFIRM FINAL TRANSFORMER SIZE AND REQUIREMENTS WITH TU ELECTRIC PRIOR TO INSTALLATION AND CONSTRUCTION. TU ELECTRIC REPRESENTATIVE (JOEL PORTER, 214-888-1313)



5 MODIFICATIONS TO EXISTING SERVICE CENTER MONITOR PANEL (GARYCO)
58 SCALE: NO SCALE

- NOTES BY SYMBOL ○
- ADD NEW CHESSELL, MODEL 390, RECORDER IN EXISTING BLANK LOCATION. PROVIDE NEW ANALOG TONE RECEIVER - DAO MODEL DAR 36-1X AND DR 38.
 - ADD NEW MIDWAY/BELTLINE LIFT STATION ANNUNCIATOR IN LOCATION UTILIZED BY EXISTING ANNUNCIATOR HORN. SEE DETAIL BELOW.
 - NEW LOCATION OF EXISTING ANNUNCIATOR HORN.
 - NEW ANNUNCIATOR TEST PUSHBUTTON / ACK TO MATCH EXISTING.

PUMP #1 FAILURE	HIGH LEVEL ALARM	POWER FAILURE	SPARE (ALARM MOD)
PUMP #2 FAILURE	LOW LEVEL ALARM	PHASE LOSS	MIDWAY/BELTLINE L. S. INTRUSION
FUTURE-PUMP #3 FAILURE	DRY WELL HIGH LEVEL	TELEMETRY FAIL	MIDWAY/BELTLINE L. S. FIRE
SPARE (ALARM MOD)	SPARE (ALARM MOD)	SPARE (ALARM MOD)	SPARE (ALARM MOD)

MIDWAY/BELTLINE LIFT STATION ANNUNCIATION DETAIL

4			
3			
2			
1			
NO.	DATE	REVISION	APPROV.
TOWN OF ADDISON, TEXAS			
MIDWAY/BELTLINE SANITARY SEWER PHASE II			
LIFT STATION ELECTRICAL DETAILS			
 Carter & Burgess Consultants in Engineering, Architecture, Planning and the Environment CARTER & BURGESS, INC. 7950 ELMBROOK DRIVE, SUITE 250 DALLAS, TX 75247-4961			
Unit	Scale	Date	04-05-96
Designed	J. Webb	Checked	R. Porter
Drawn	J. Webb	Approved	J. Lindner
		Job No.	93327601D
		Sheet	58 of 63

