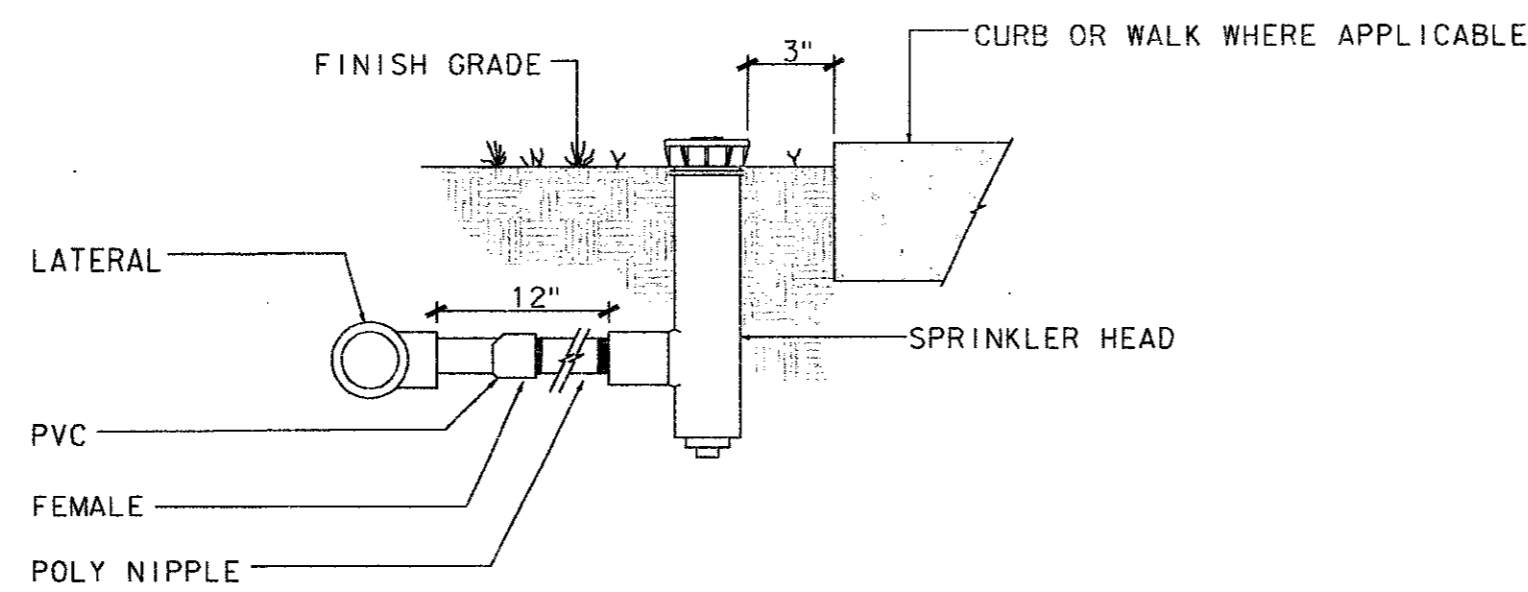


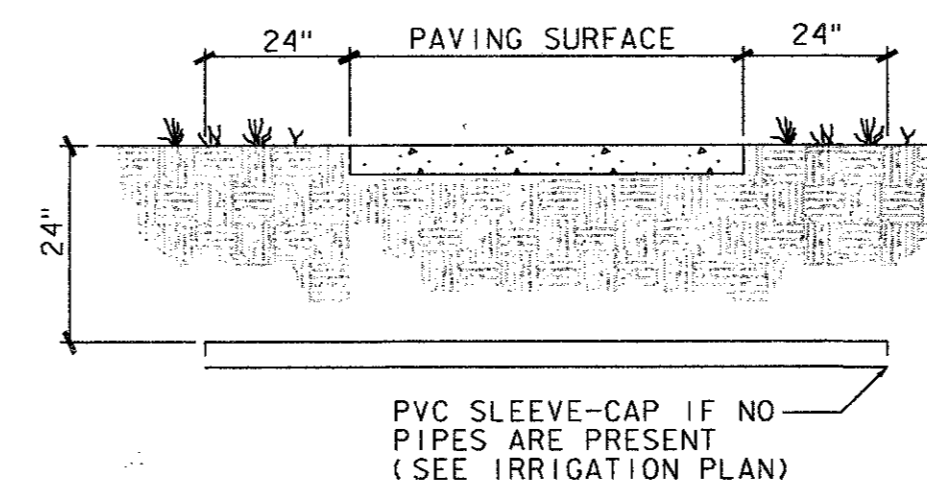
TURF POP-UP SPRAY AND ROTOR HEAD DETAIL

NOT TO SCALE



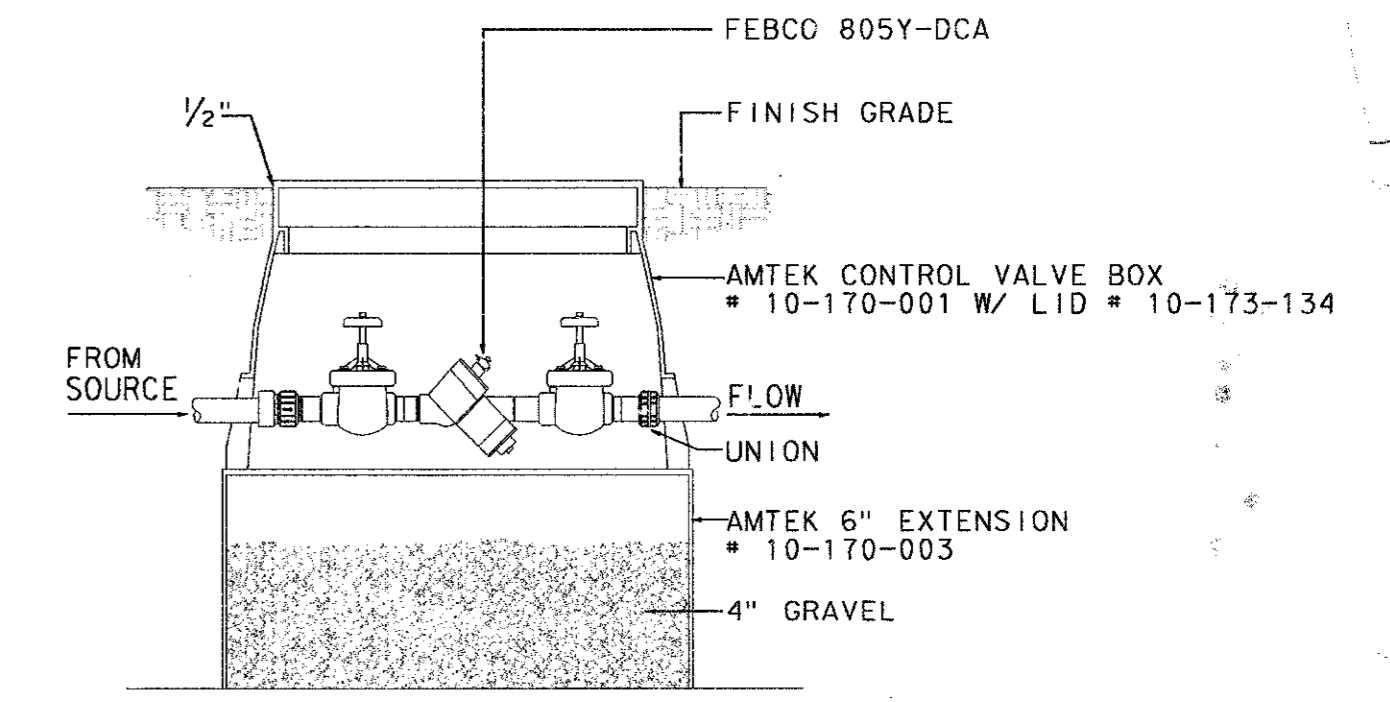
HIGH POP-UP SPRAY HEAD DETAIL

NOT TO SCALE



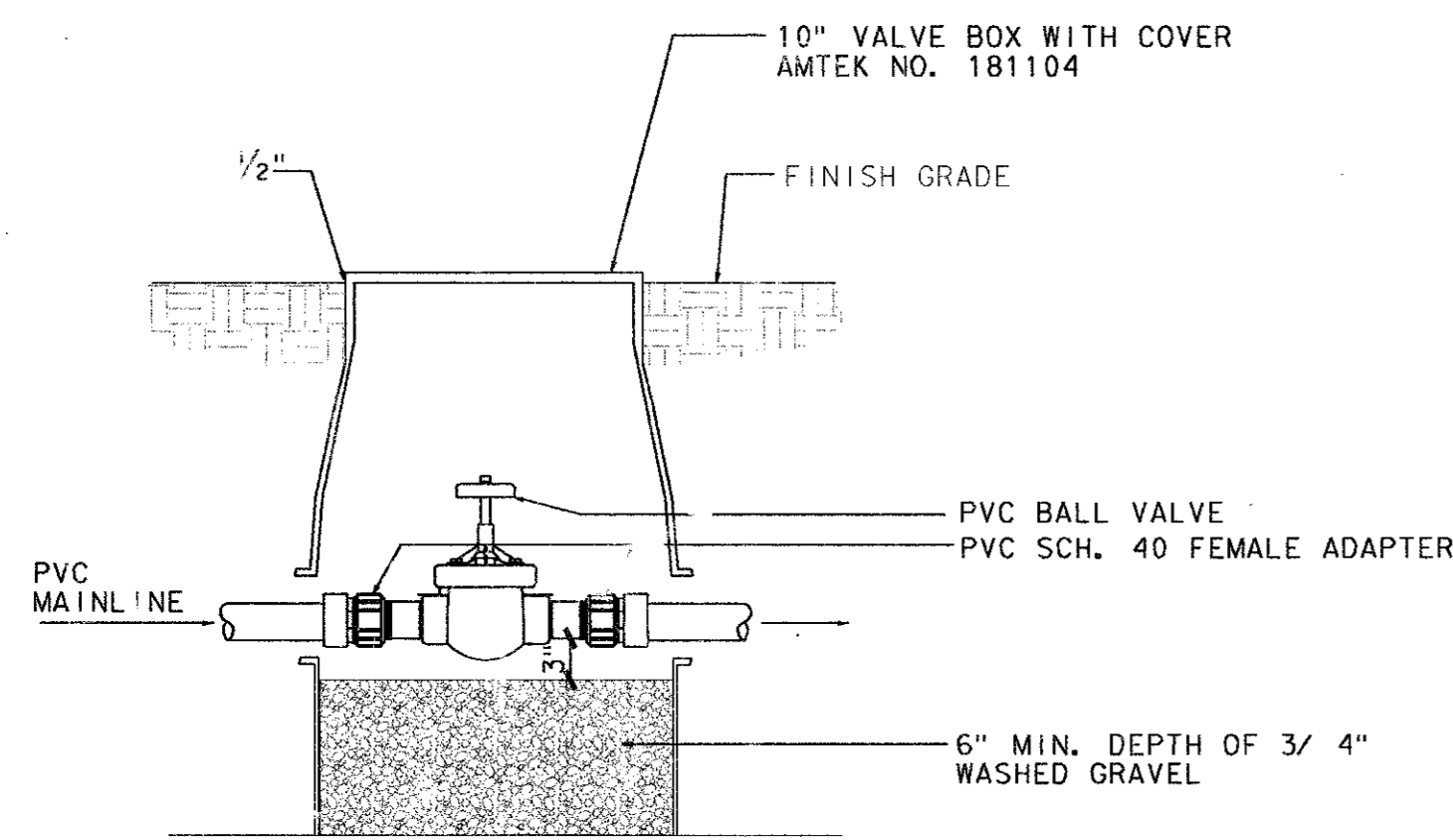
SLEEVE DETAIL

NOT TO SCALE



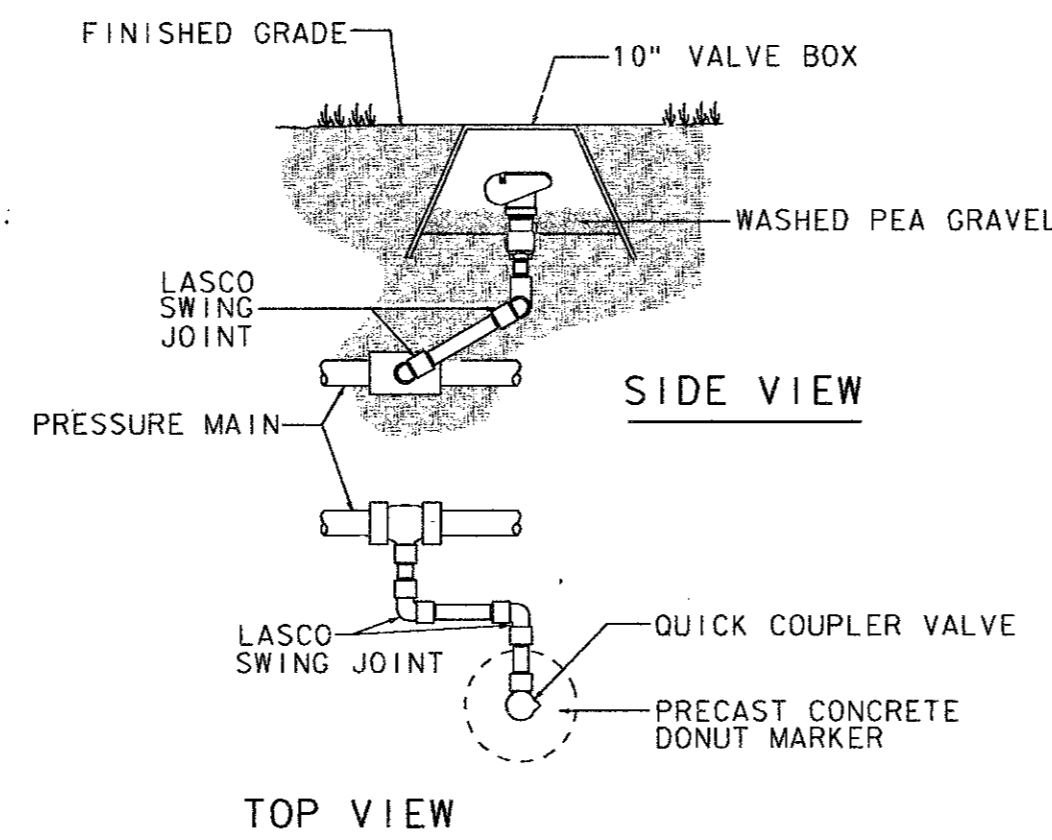
BACKFLOW PREVENTION DETAIL

NOT TO SCALE



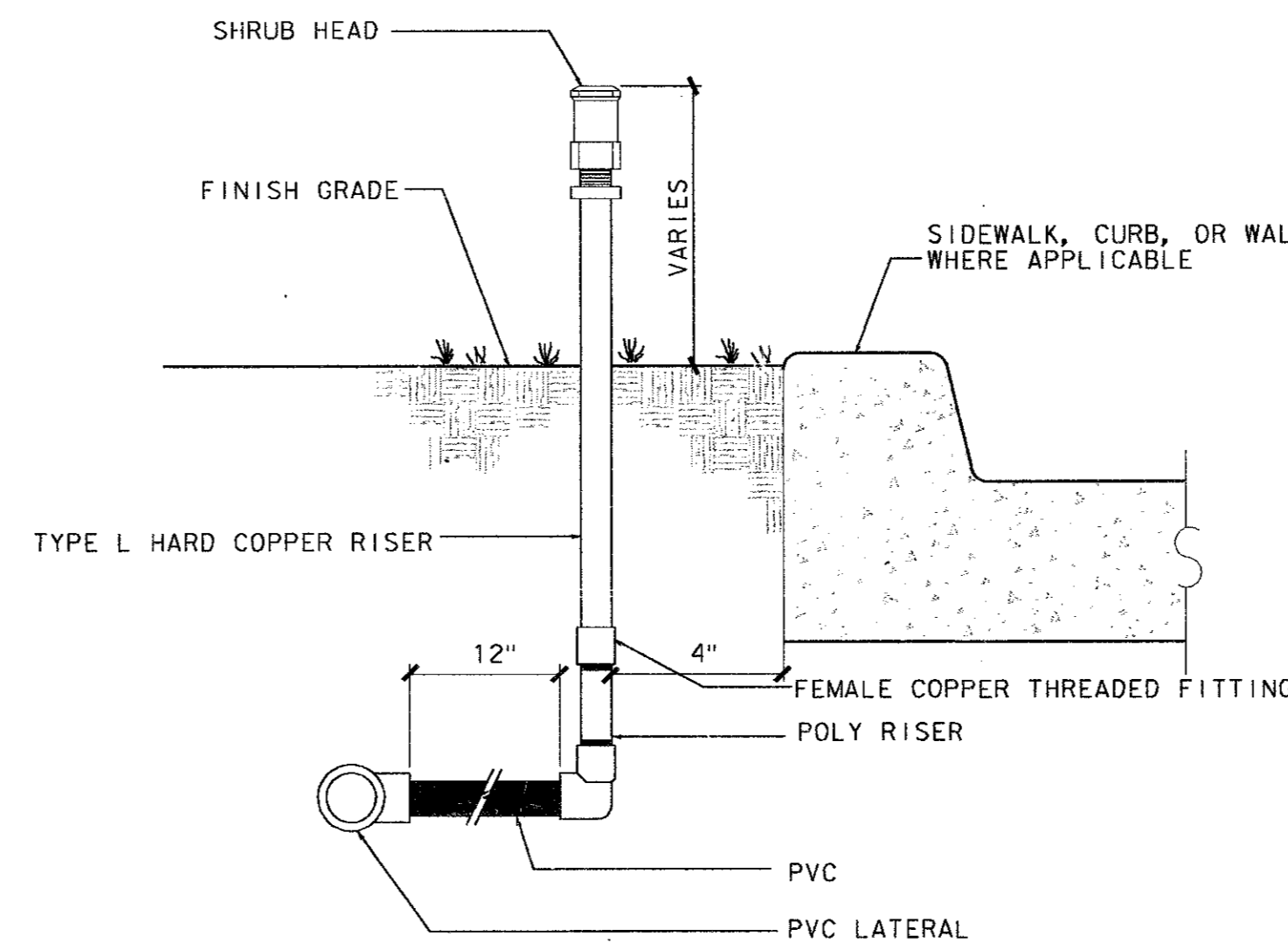
ISOLATION GATE VALVE DETAIL

NOT TO SCALE



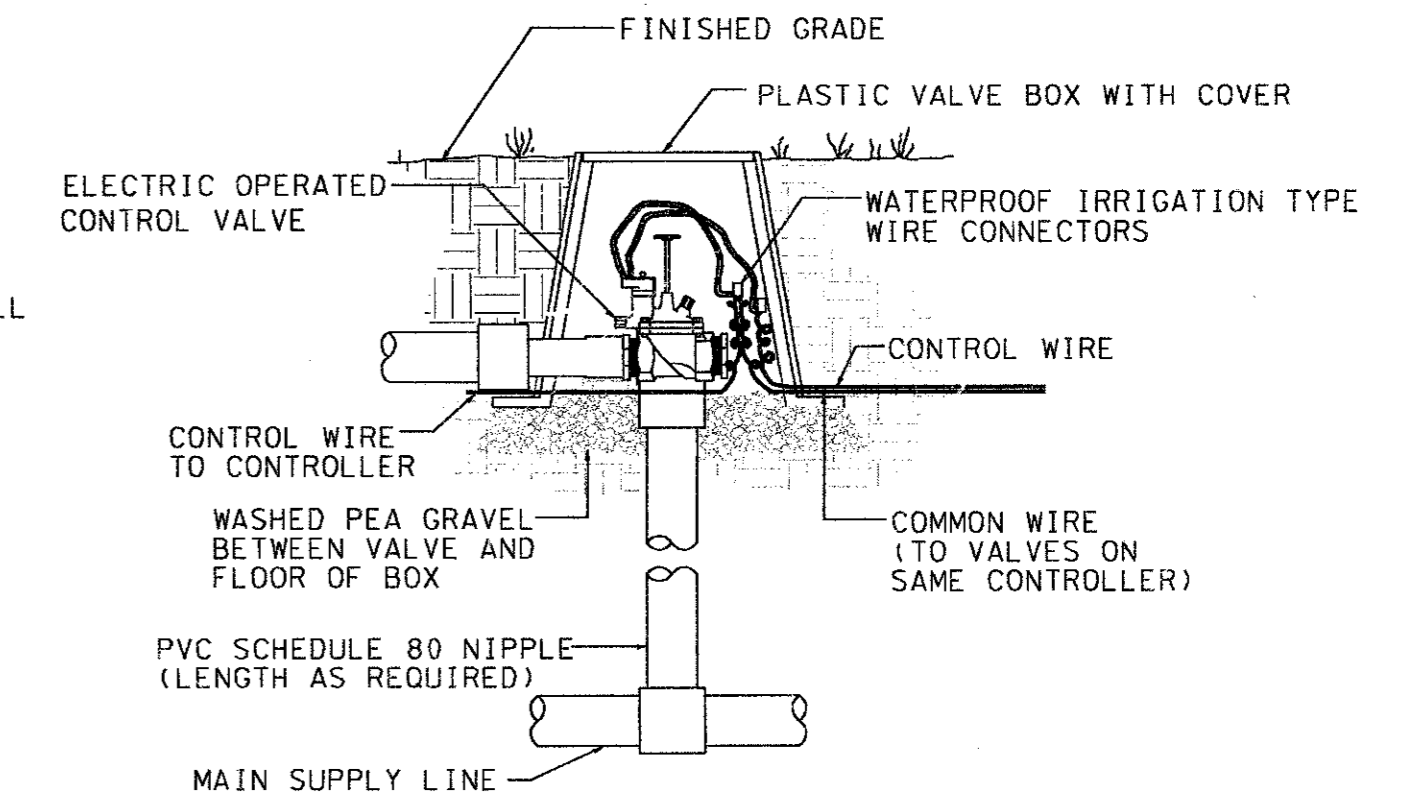
QUICK COUPLING VALVE DETAIL

NOT TO SCALE



SHRUB HEAD DETAIL

NOT TO SCALE

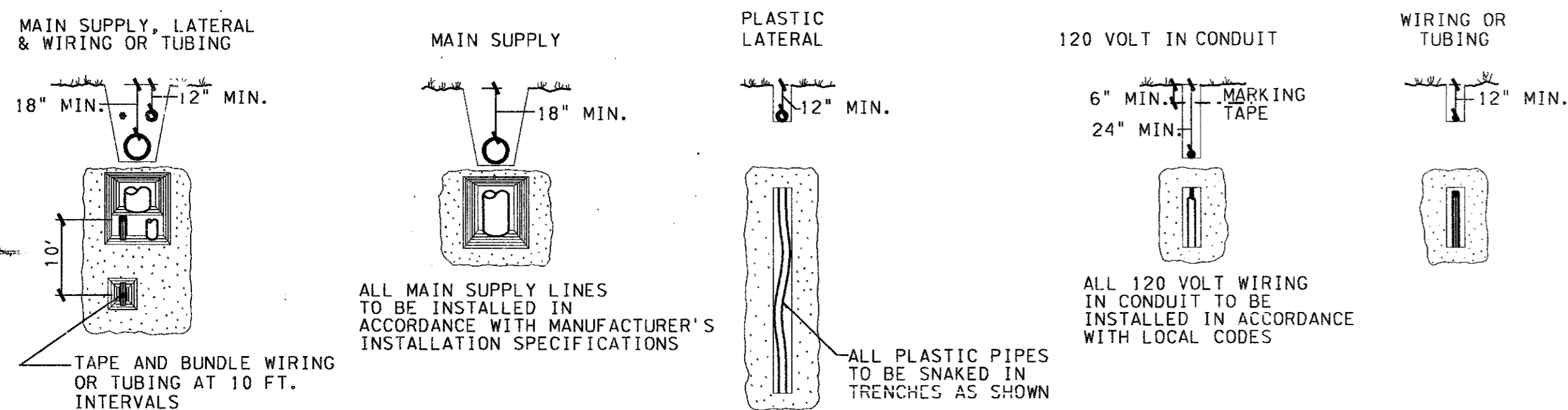


SOLENOID VALVE DETAIL

NOT TO SCALE

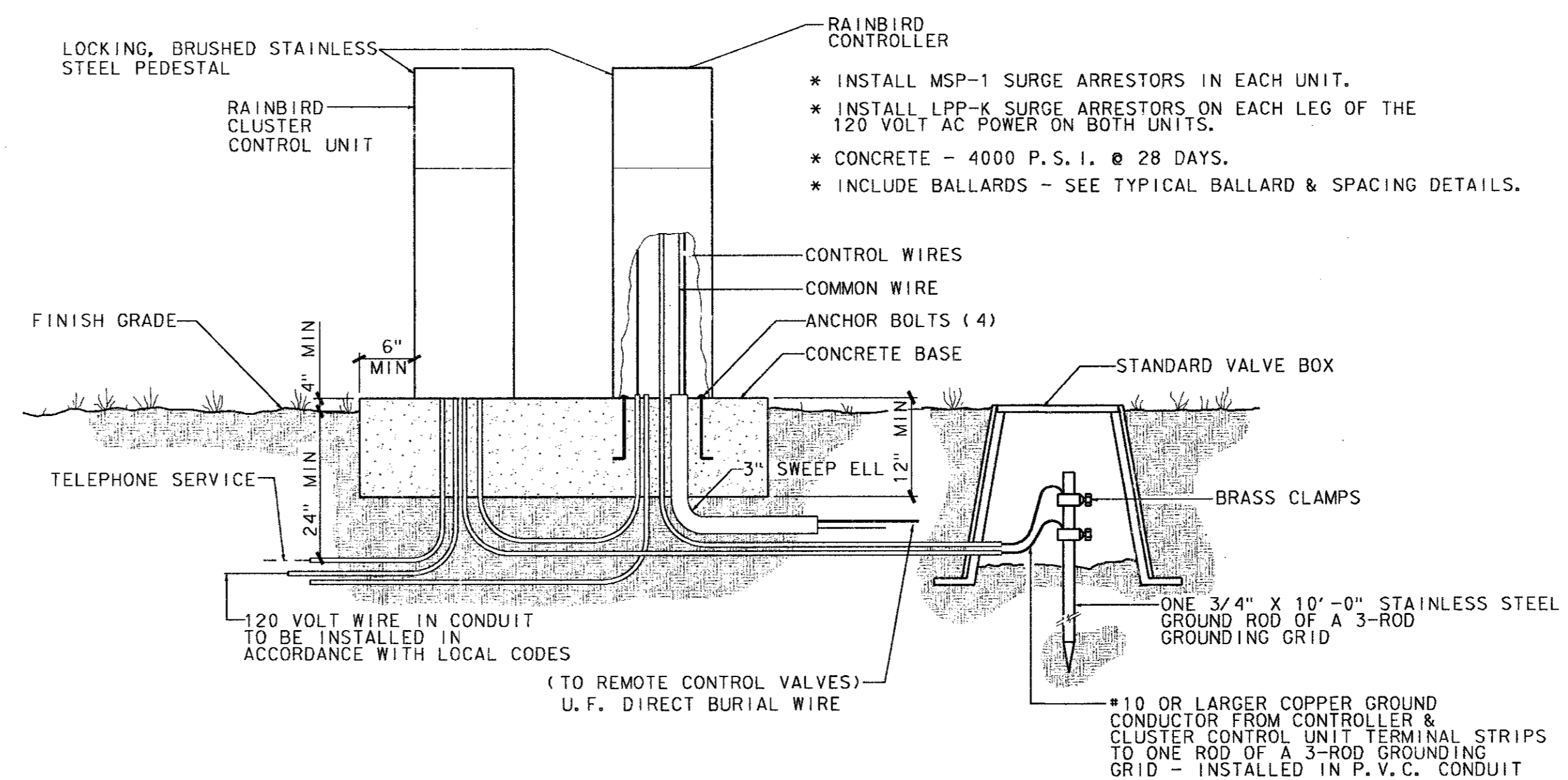
NOTES

1. ALL WIRE TO BE INSTALLED PER LOCAL CODE.
2. TAPE AND BUNDLE WIRE EVERY TEN FEET.
3. PROVIDE EXPANSION COILS AT EACH WIRE CONNECTION IN VALVE BOX. (WRAP AROUND 1/2" PIPE 15 TIMES.)
4. COMPACT SOIL AROUND VALVE BOX TO SAME DENSITY AS UNDISTURBED ADJACENT SOIL.
5. ORIENT RECTANGULAR VALVE BOXES SO THAT THE EDGES ARE PARALLEL TO ADJACENT WALKS, CURBS, ETC.



TRENCHING DETAILS

NOT TO SCALE



TYPICAL CONTROLLER & CL. CONTROL UNIT PAD DETAILS

NOT TO SCALE

4			
3			
2			
1			
NO.	DATE	REVISION	APPROV.

TOWN OF ADDISON, TEXAS

MIDWAY/BELTLINE SANITARY SEWER PHASE II

LIFT STATION IRRIGATION DETAILS

Carter Burgess

Consultants in Engineering, Architecture, Planning and the Environment
 CARTER & BURGESS, INC.
 LARRY P. O'FLINN
 7950 ELMROCK DRIVE, SUITE 250
 DALLAS, TX 75247-4961

Unit	Scale	1"=20'	Date	04-05-96
Designed	B. Luck	Checked	J. Lindner	Job No. 93327601D
Drawn	B. Luck	Approved	J. Lindner	Sheet 63 of 63

