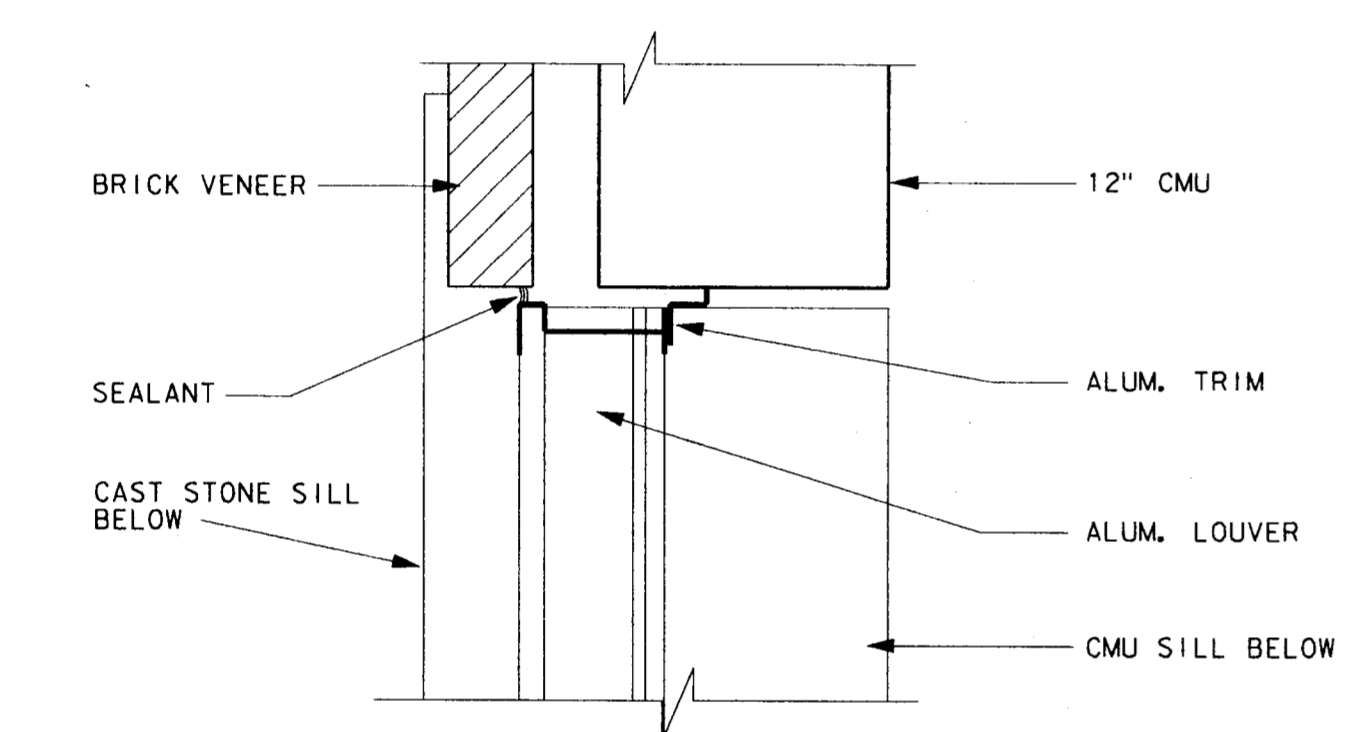
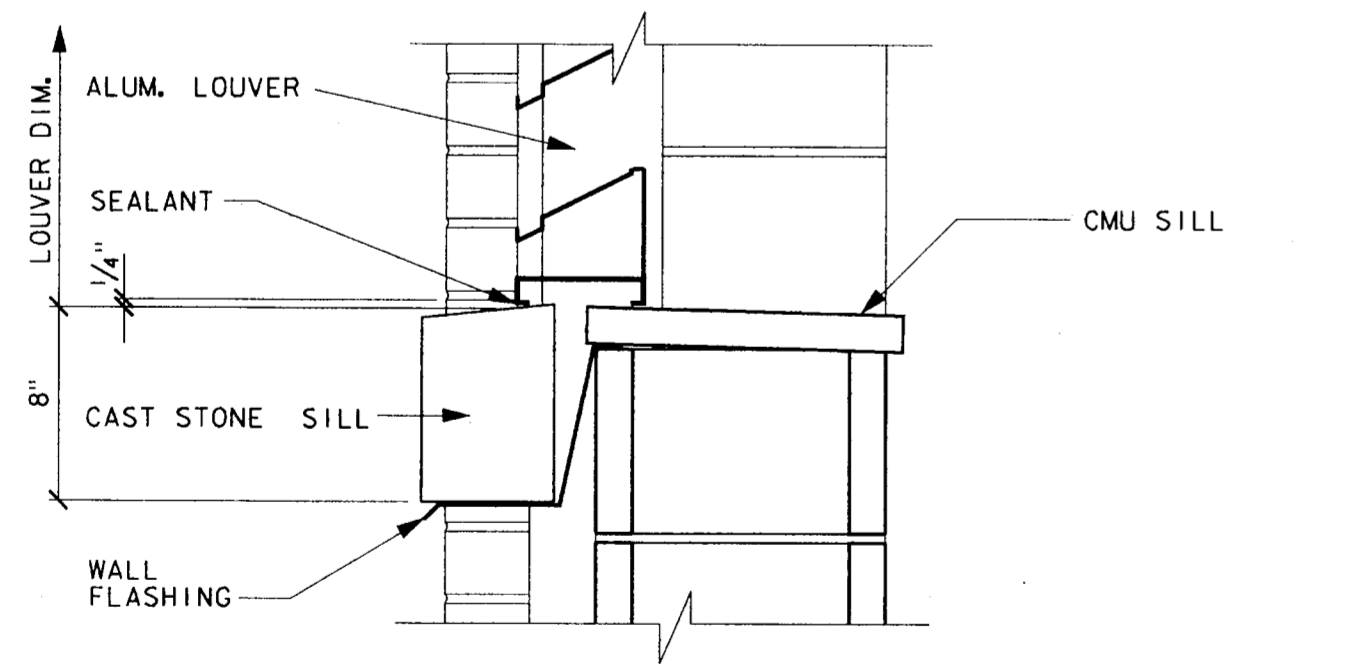


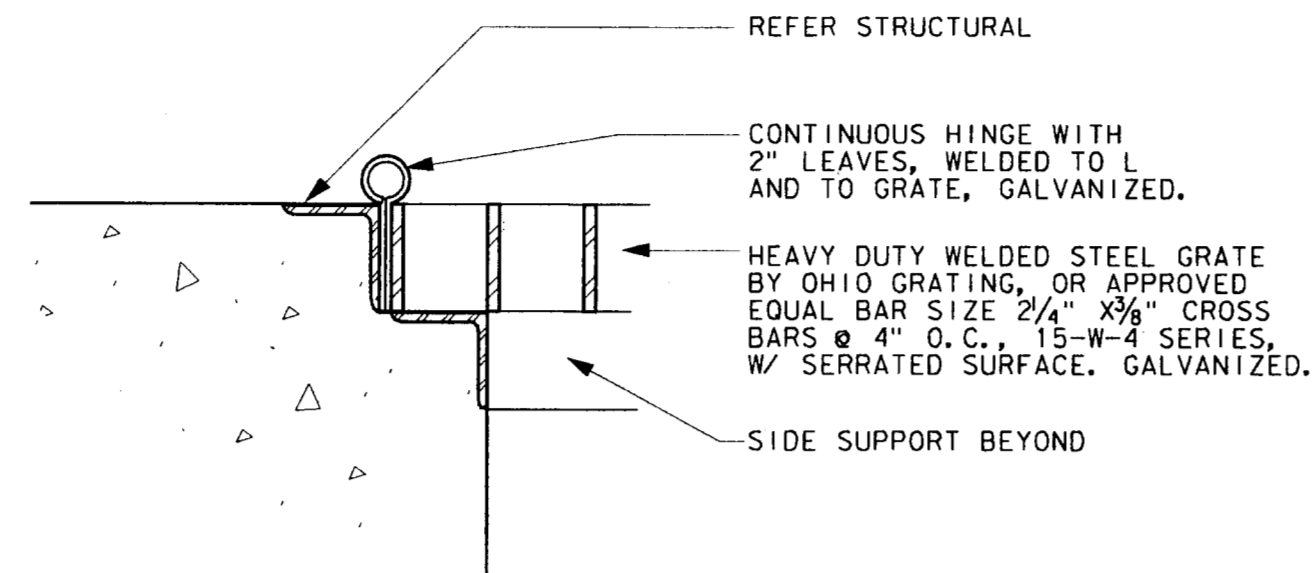
LOUVER HEAD (A) 43
1/2" = 1'-0"



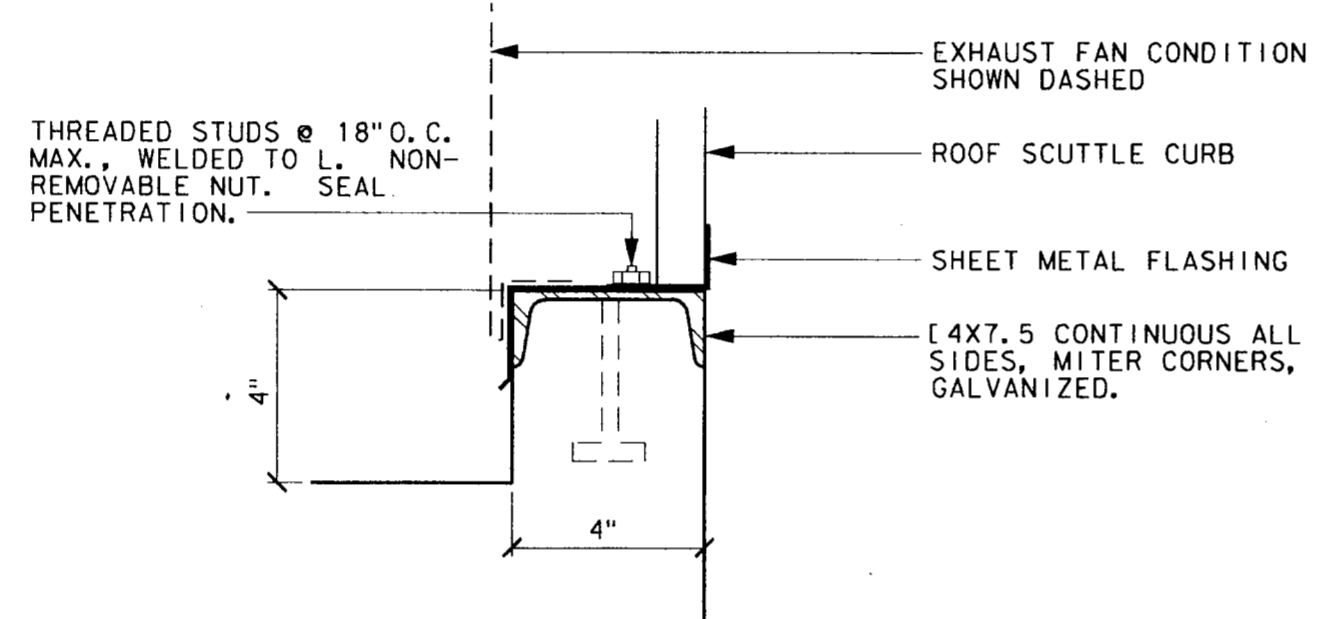
LOUVER JAMB (B) 43
1/2" = 1'-0"



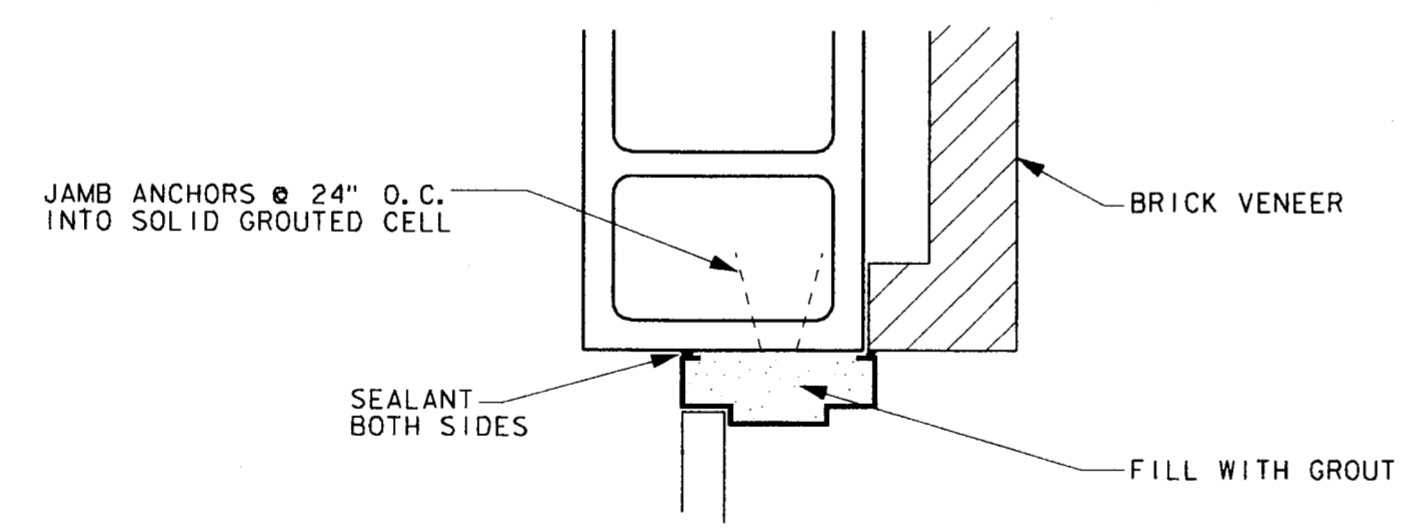
LOUVER SILL (C) 43
1/2" = 1'-0"



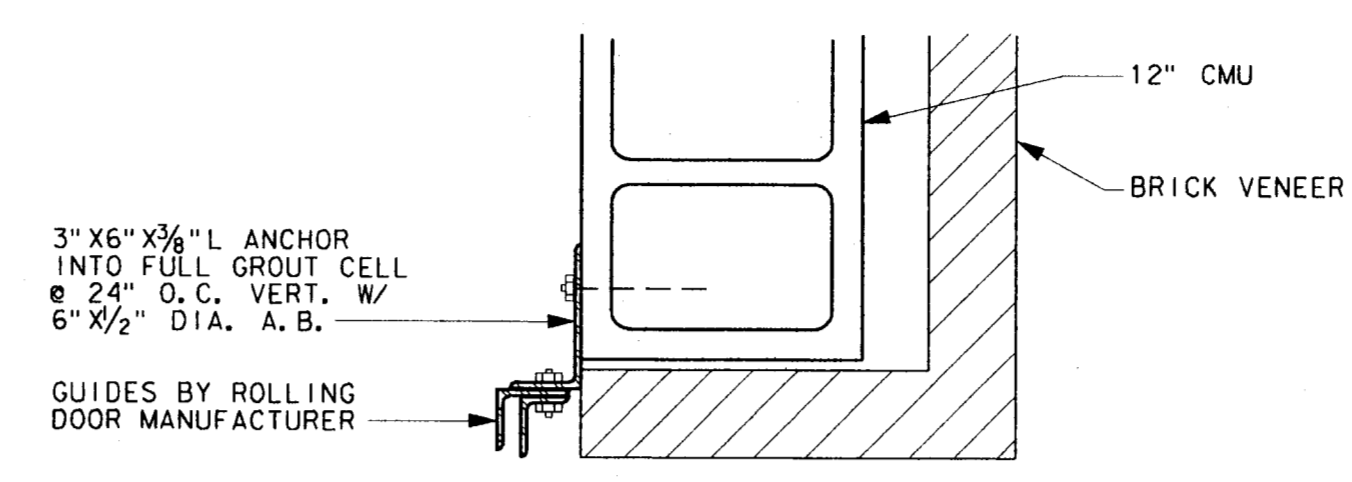
SECTION (D) 43
3" = 1'-0"



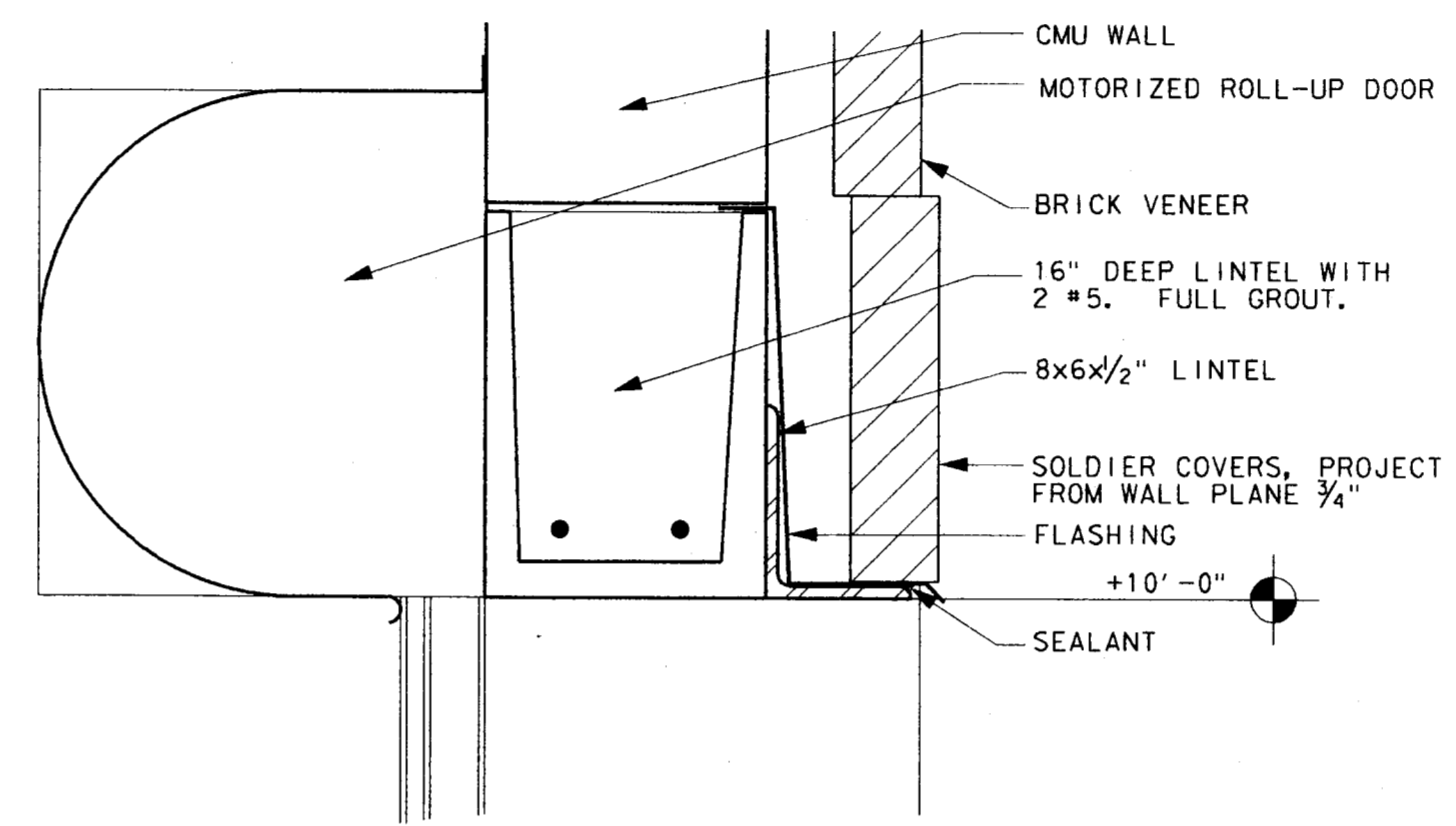
TYPICAL EQUIPMENT CURB (E) 43
3" = 1'-0"



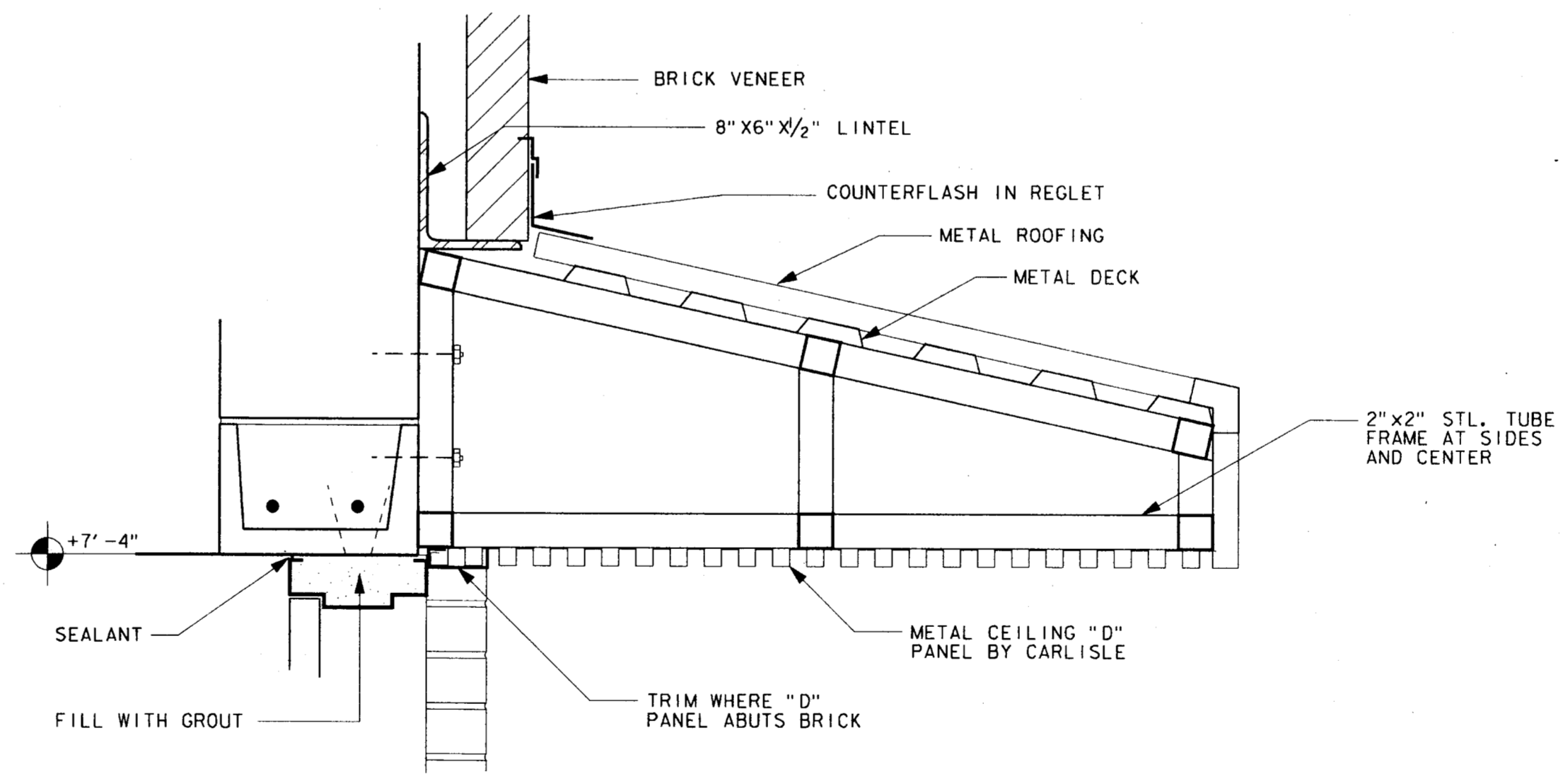
HM DOOR JAMB (F) 43
1/2" = 1'-0"



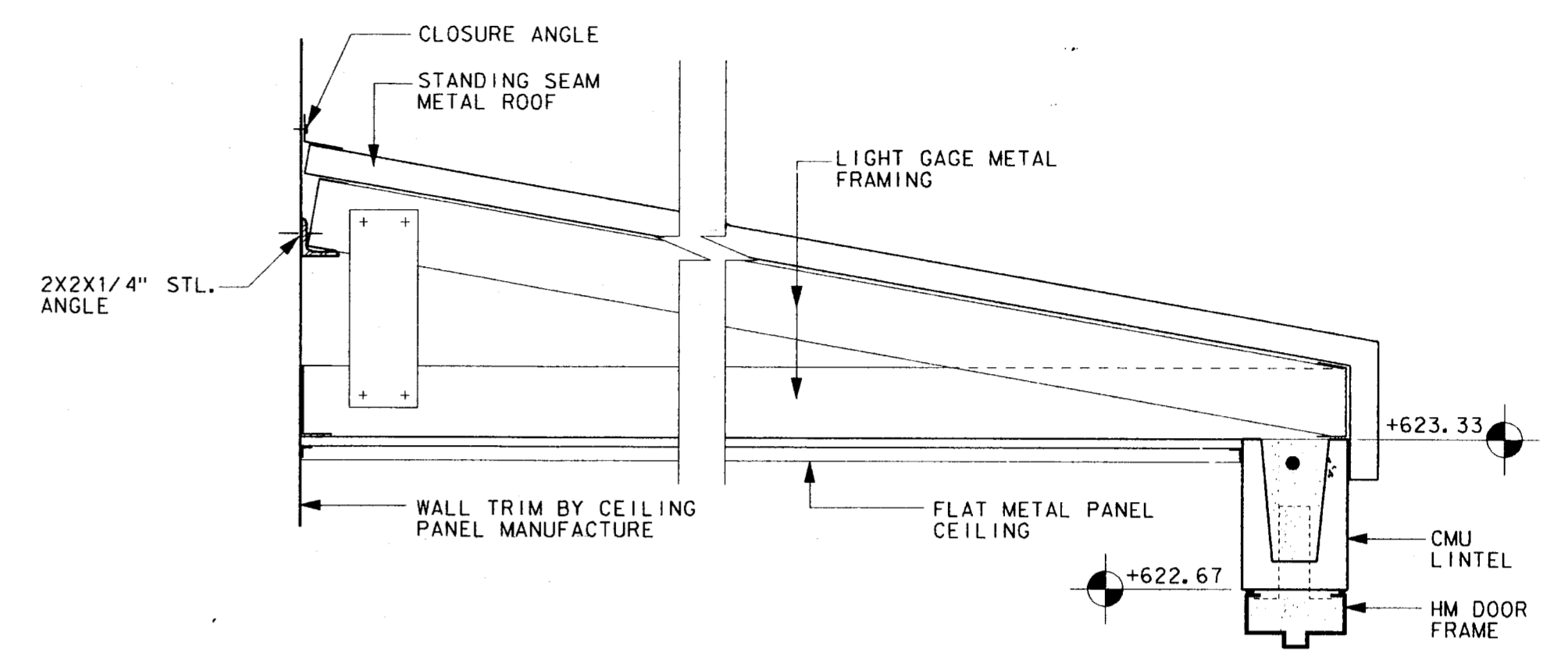
ROLL-UP DOOR JAMB (G) 43
1/2" = 1'-0"



ROLL-UP DOOR HEAD (H) 43
1/2" = 1'-0"



HM DOOR HEAD (J) 43
1/2" = 1'-0"



ROOF SECTION (K) 43
1/2" = 1'-0"

4			
3			
2			
1	9-4-98	AS BUILT DRAWING	J. H. L.
NO.	DATE	REVISION	APPROV.
TOWN OF ADDISON, TEXAS			
MIDWAY/BELTLINE SANITARY SEWER			
PHASE II			
LIFT STATION -			
ARCHITECTURAL DETAILS - SHEET 1			
Carter Burgess			
<small>Consultants in Engineering, Architecture, Planning and the Environment CARTER & BURGESS, INC. 7360 ELMSBROOK DRIVE, SUITE 250 DALLAS, TX 75247-4961</small>			
Unit#	Scale#	Date	04-05-96
Designed	R. WRIGHT	Checked	R. WRIGHT
Drawn	R. WRIGHT	Approved	J. Lindner
Job No.	93327601D	Sheet	43 of 63

