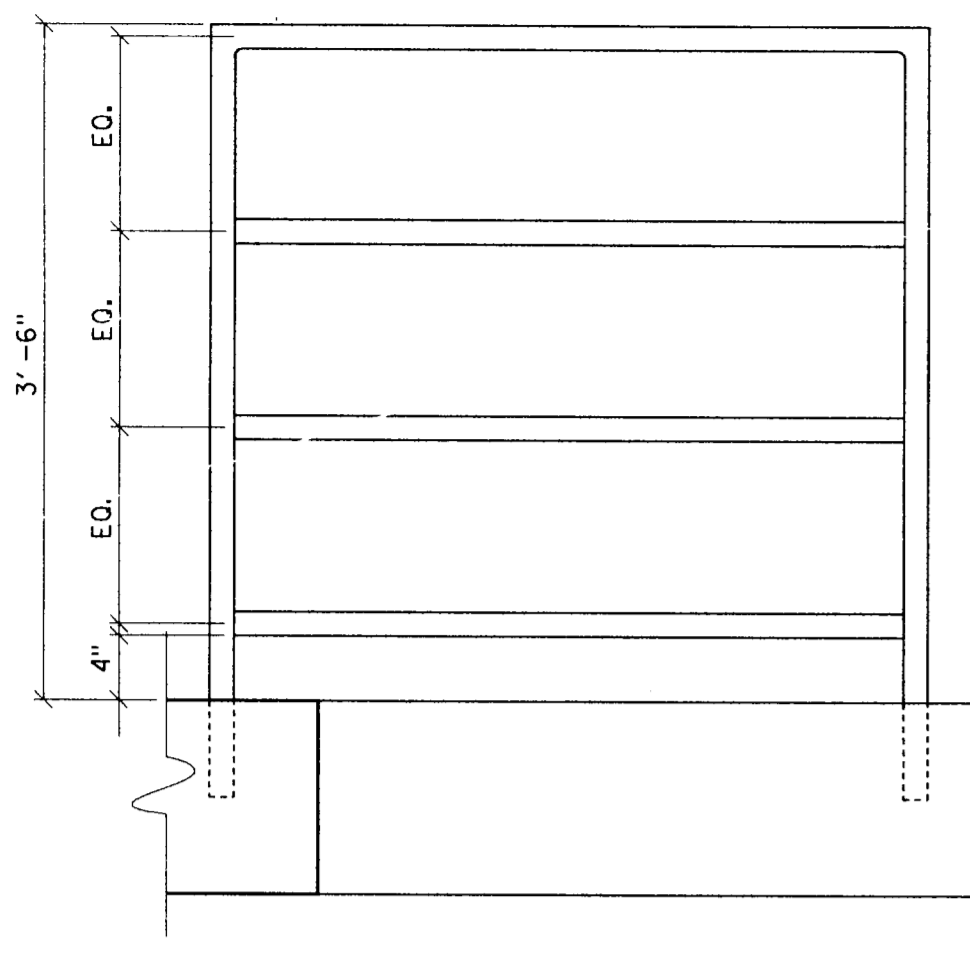
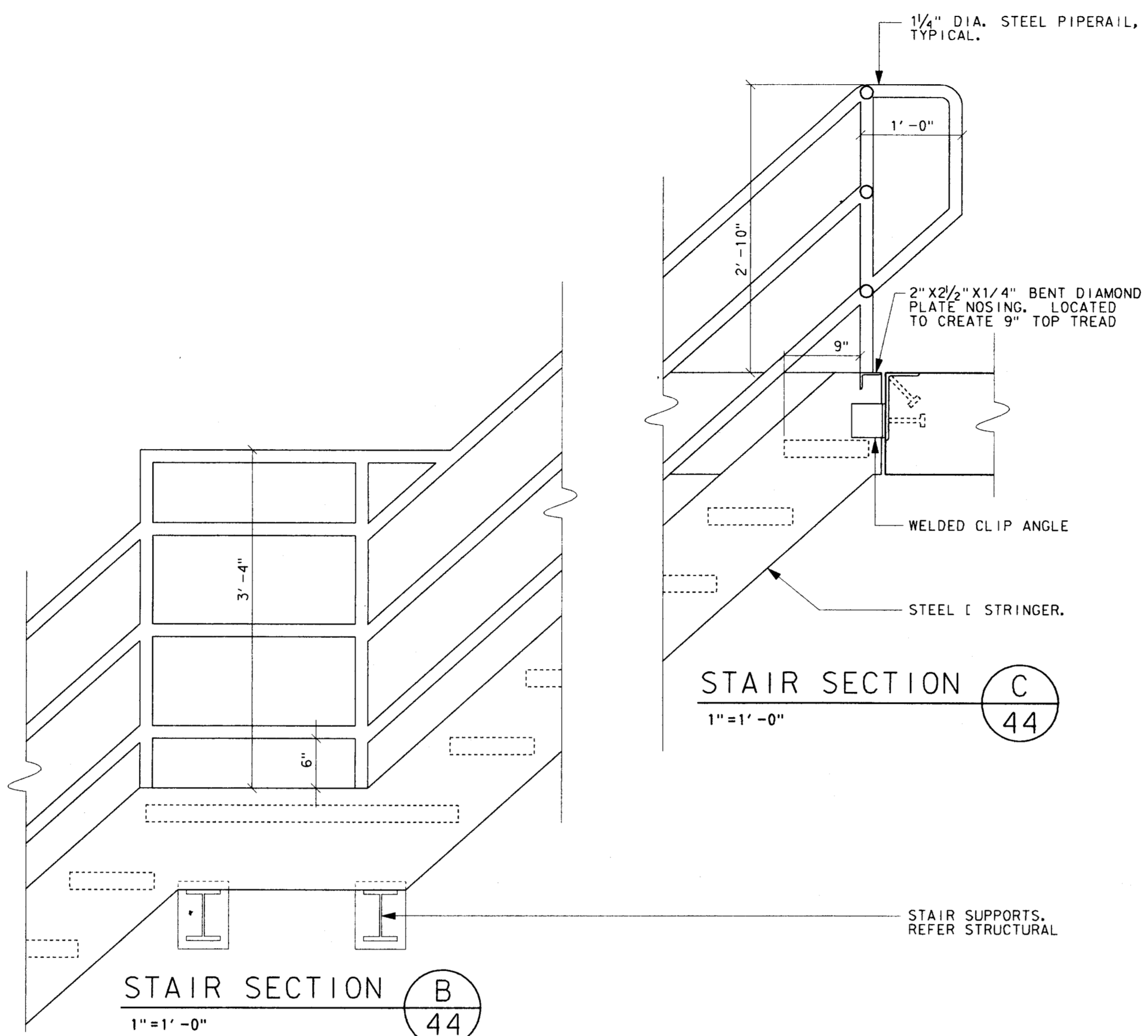


ELEVATION 11
 ELEVATION 12
 ELEVATION 13
 ELEVATION 14
 ELEVATION 15
 ELEVATION 16
 ELEVATION 17
 ELEVATION 18
 ELEVATION 19
 ELEVATION 20
 ELEVATION 21
 ELEVATION 22
 ELEVATION 23
 ELEVATION 24
 ELEVATION 25
 ELEVATION 26
 ELEVATION 27
 ELEVATION 28
 ELEVATION 29
 ELEVATION 30
 ELEVATION 31
 ELEVATION 32
 ELEVATION 33
 ELEVATION 34
 ELEVATION 35
 ELEVATION 36
 ELEVATION 37
 ELEVATION 38
 ELEVATION 39
 ELEVATION 40
 ELEVATION 41
 ELEVATION 42
 ELEVATION 43
 ELEVATION 44
 ELEVATION 45
 ELEVATION 46
 ELEVATION 47
 ELEVATION 48
 ELEVATION 49
 ELEVATION 50
 ELEVATION 51
 ELEVATION 52
 ELEVATION 53
 ELEVATION 54
 ELEVATION 55
 ELEVATION 56
 ELEVATION 57
 ELEVATION 58
 ELEVATION 59
 ELEVATION 60
 ELEVATION 61
 ELEVATION 62
 ELEVATION 63
 ELEVATION 64
 ELEVATION 65
 ELEVATION 66
 ELEVATION 67
 ELEVATION 68
 ELEVATION 69
 ELEVATION 70
 ELEVATION 71
 ELEVATION 72
 ELEVATION 73
 ELEVATION 74
 ELEVATION 75
 ELEVATION 76
 ELEVATION 77
 ELEVATION 78
 ELEVATION 79
 ELEVATION 80
 ELEVATION 81
 ELEVATION 82
 ELEVATION 83
 ELEVATION 84
 ELEVATION 85
 ELEVATION 86
 ELEVATION 87
 ELEVATION 88
 ELEVATION 89
 ELEVATION 90
 ELEVATION 91
 ELEVATION 92
 ELEVATION 93
 ELEVATION 94
 ELEVATION 95
 ELEVATION 96
 ELEVATION 97
 ELEVATION 98
 ELEVATION 99
 ELEVATION 100

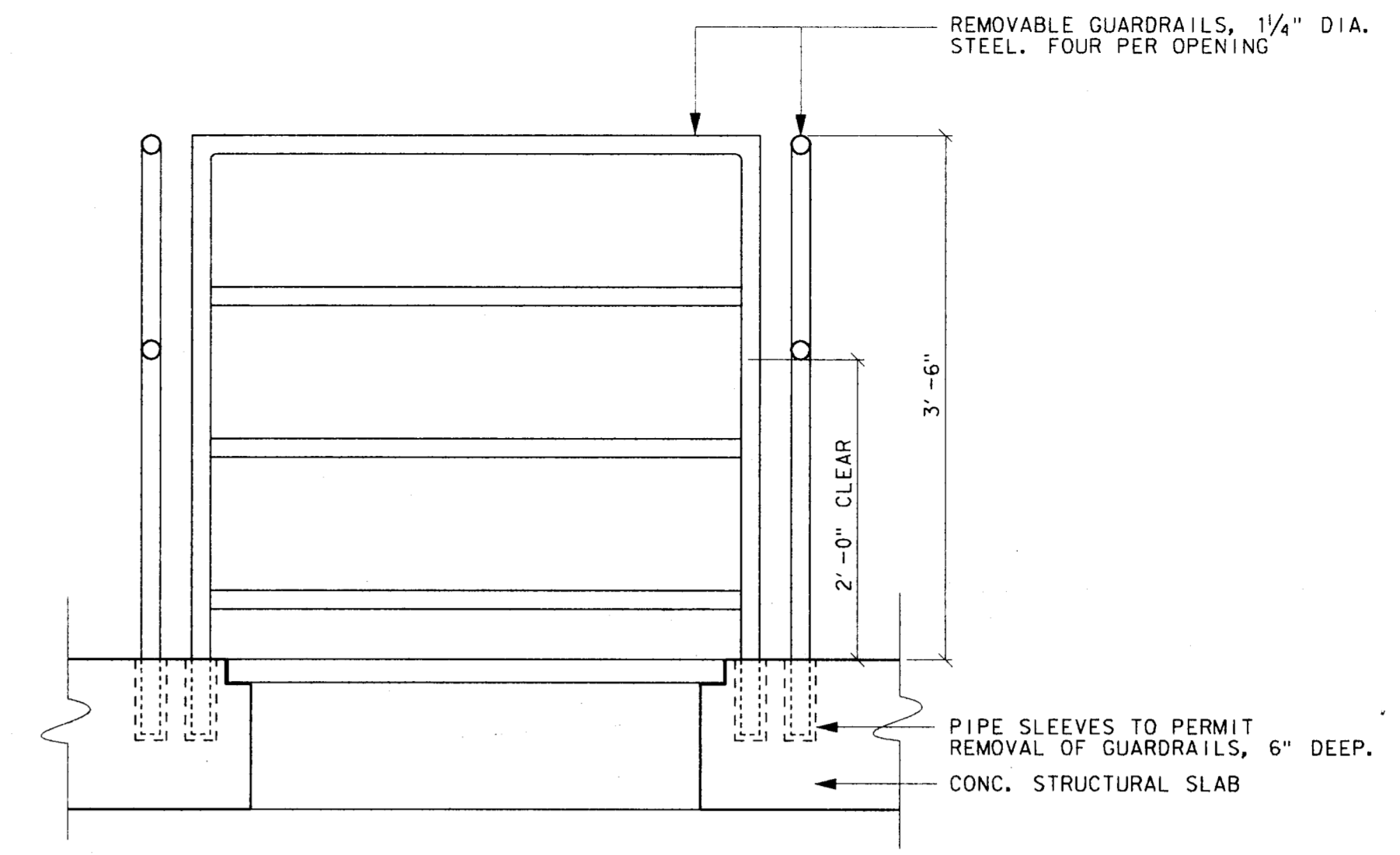


GUARDRAIL AT
 STAIR OPENING
 1"=1'-0"
 A
 44

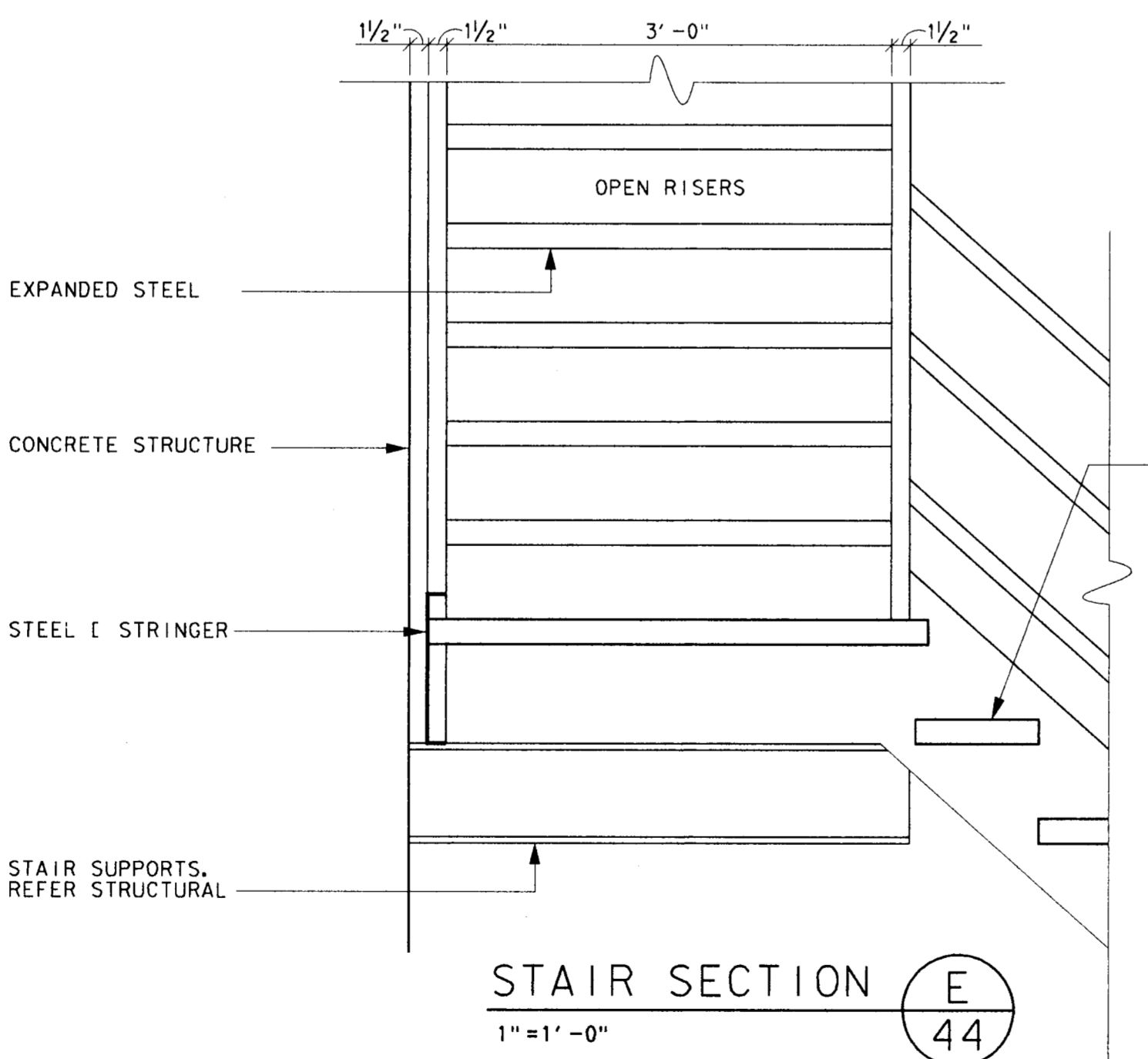


STAIR SECTION
 1"=1'-0"
 C
 44

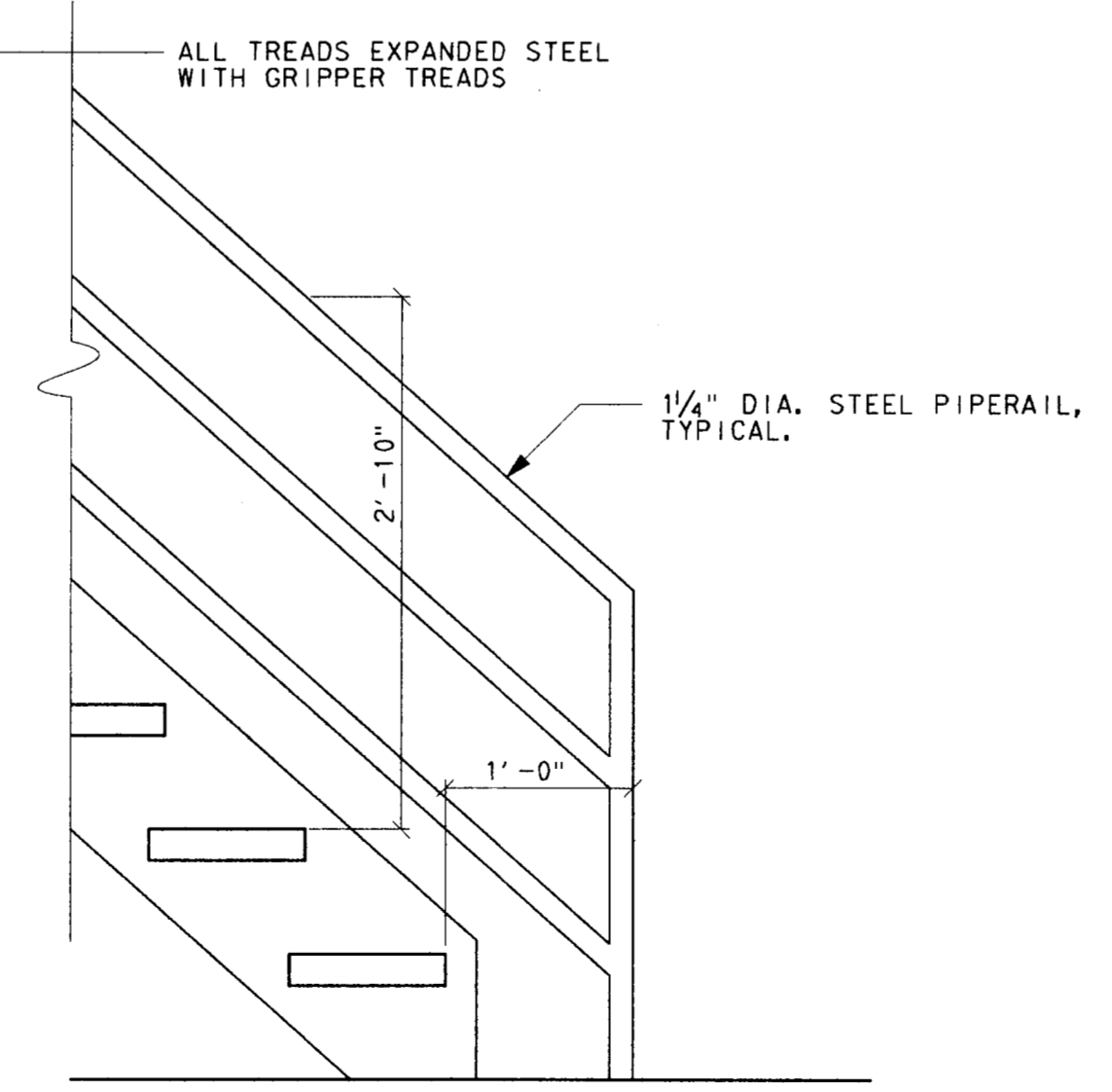
STAIR SECTION
 1"=1'-0"
 B
 44



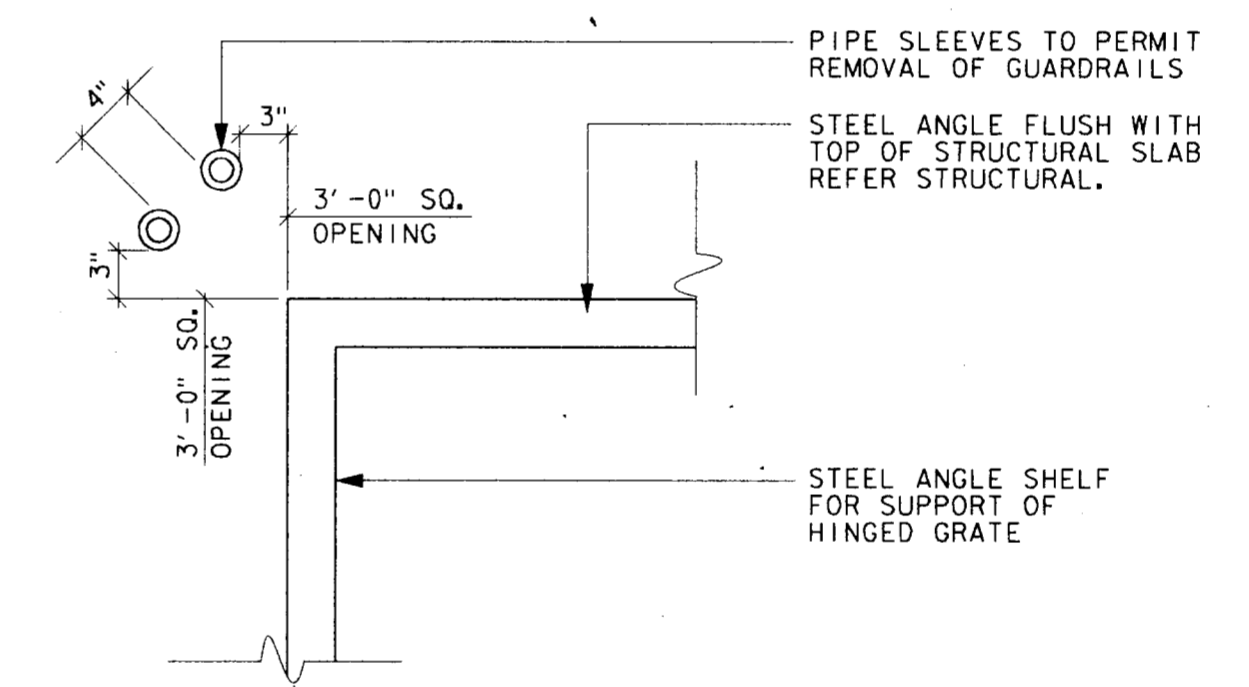
GUARDRAIL AT ACCESS HOLE
 1"=1'-0"
 D
 44



STAIR SECTION
 1"=1'-0"
 E
 44



STAIR SECTION
 1"=1'-0"
 G
 44

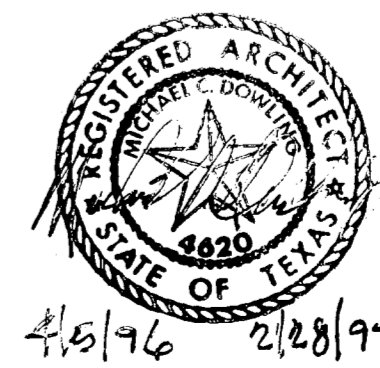


PLAN DETAIL AT ACCESS HOLE
 1"=1'-0"
 F
 44

4			
3			
2			
1	9-4-98	AS BUILT DRAWING	J. H. L.
NO.	DATE	REVISION	APPROV.

TOWN OF ADDISON, TEXAS
 MIDWAY/BELTLINE SANITARY SEWER
 PHASE II
 LIFT STATION -
 ARCHITECTURAL DETAILS - SHEET 2

Carter Burgess
 Consultants in Engineering, Architecture,
 Planning and the Environment
 CARTER & BURGESS, INC.
 7950 ELMSTOCK DRIVE, SUITE 250
 DALLAS, TX 75247-4561



Unit	Scale	Date	04-05-96
Designed	R. WRIGHT	Checked	R. WRIGHT
Drawn	R. WRIGHT	Approved	J. Lindner
Job No.	93327601D	Sheet	44 of 63