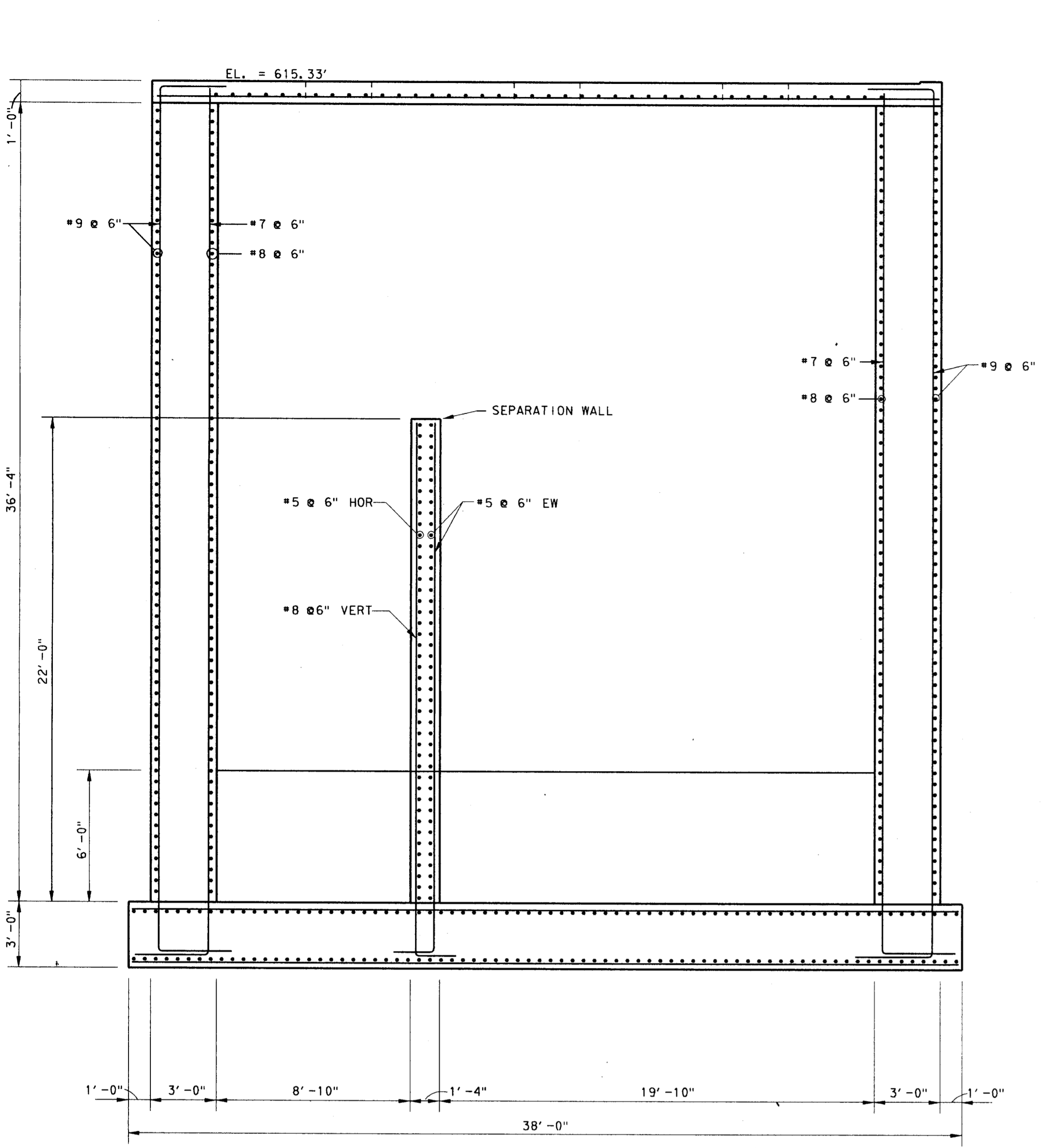
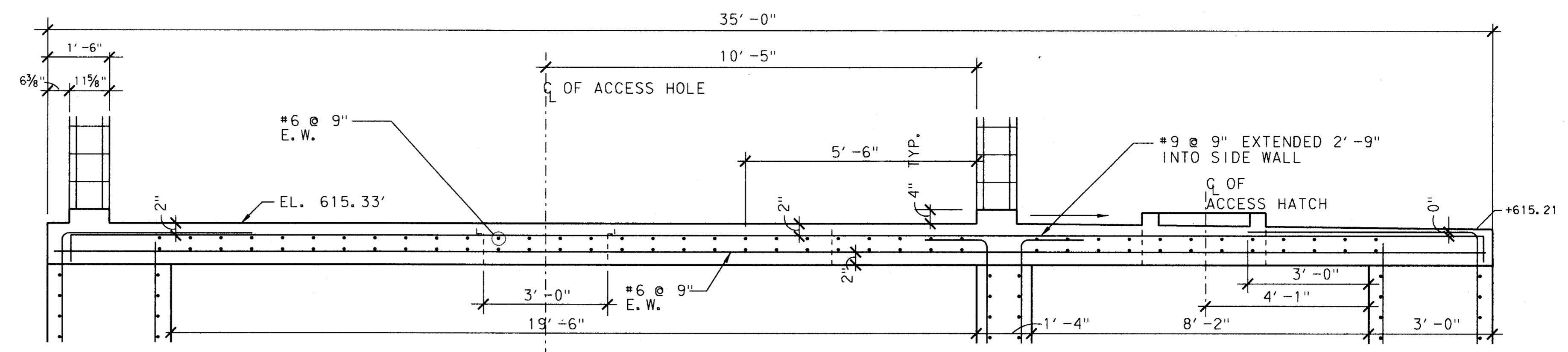


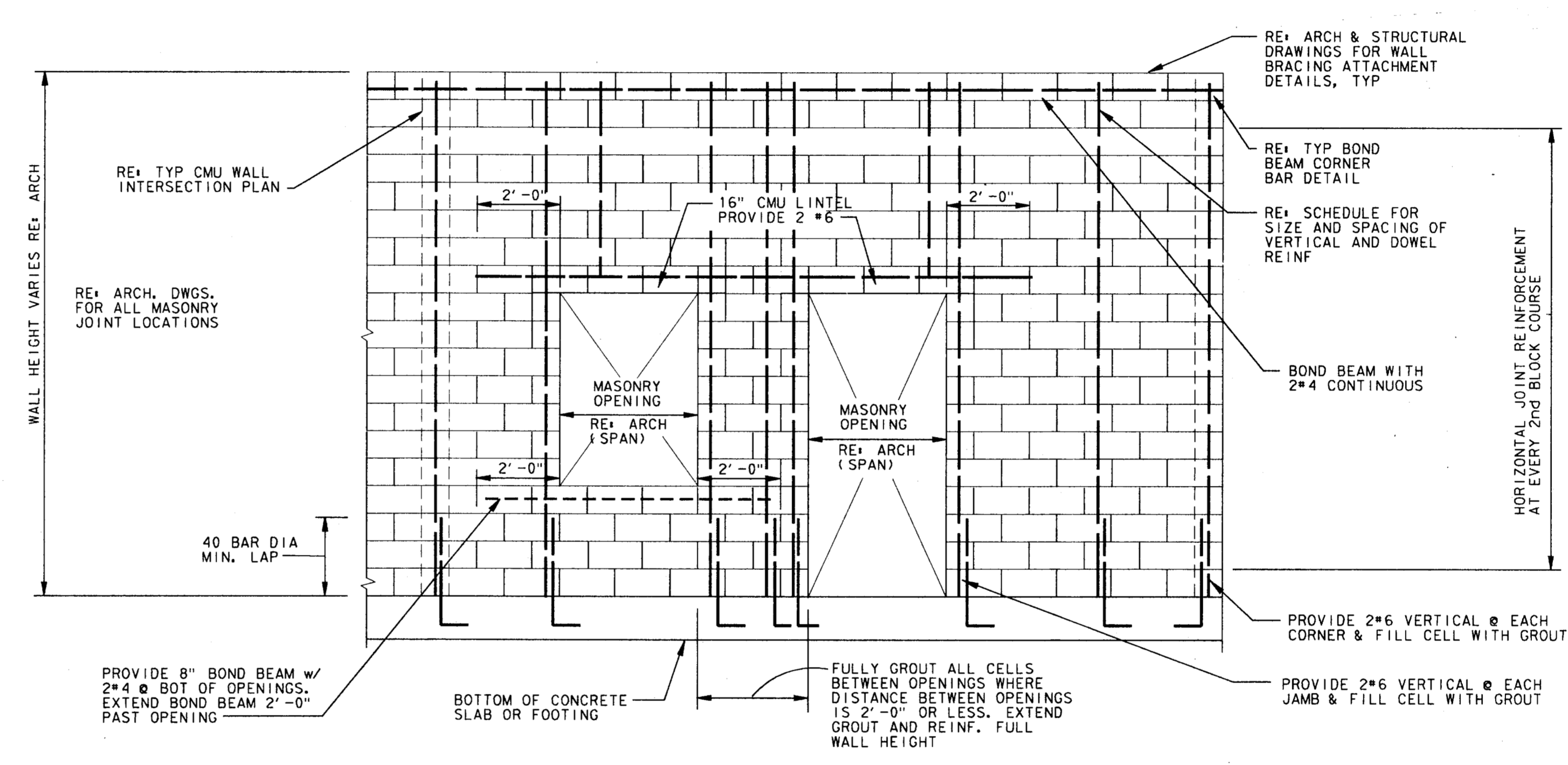
REVISIONS
 NO. DATE BY
 1 4-98 AS BUILT DRAWING J.H.L.
 2
 3
 4



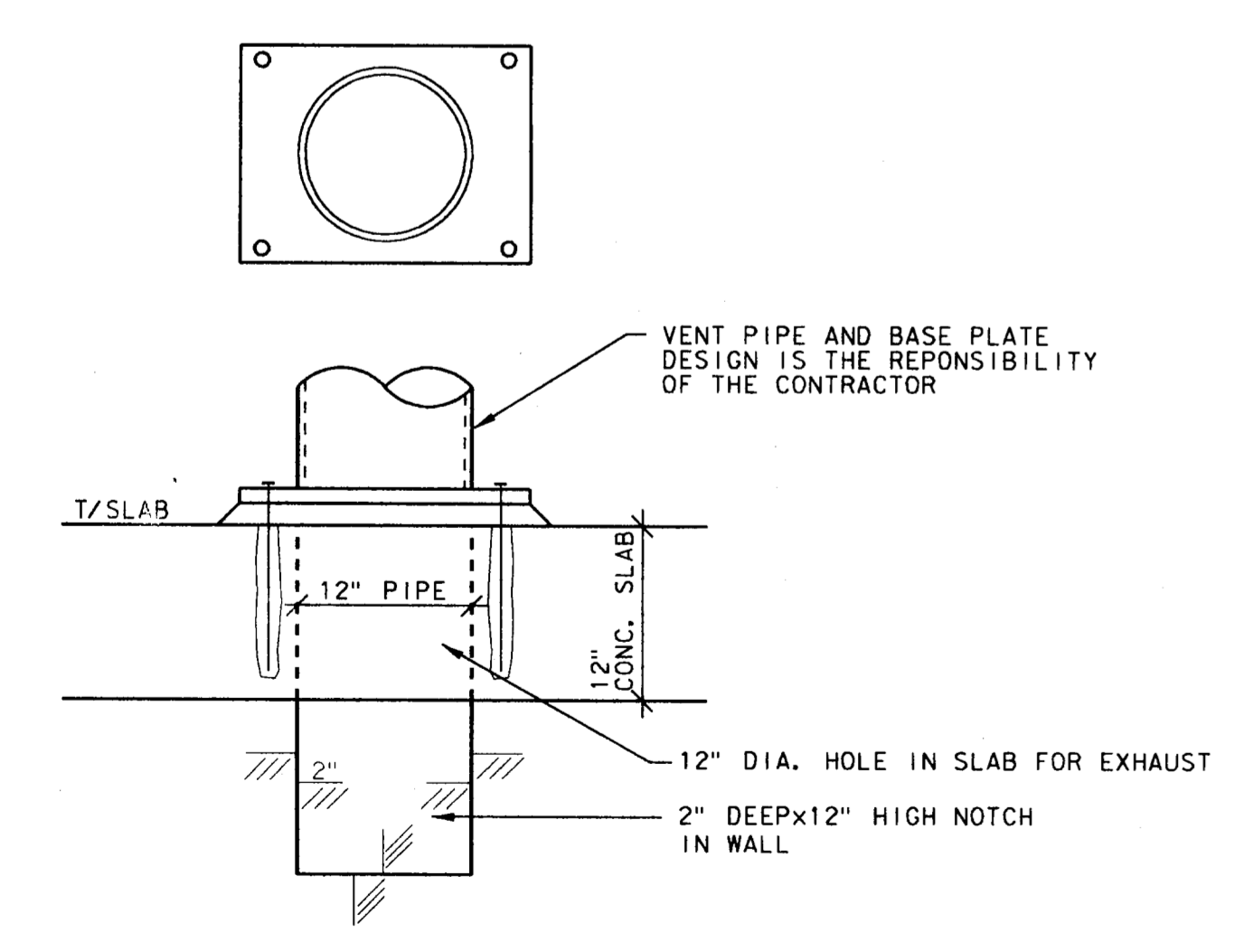
SECTION A
1/4" = 1'-0"



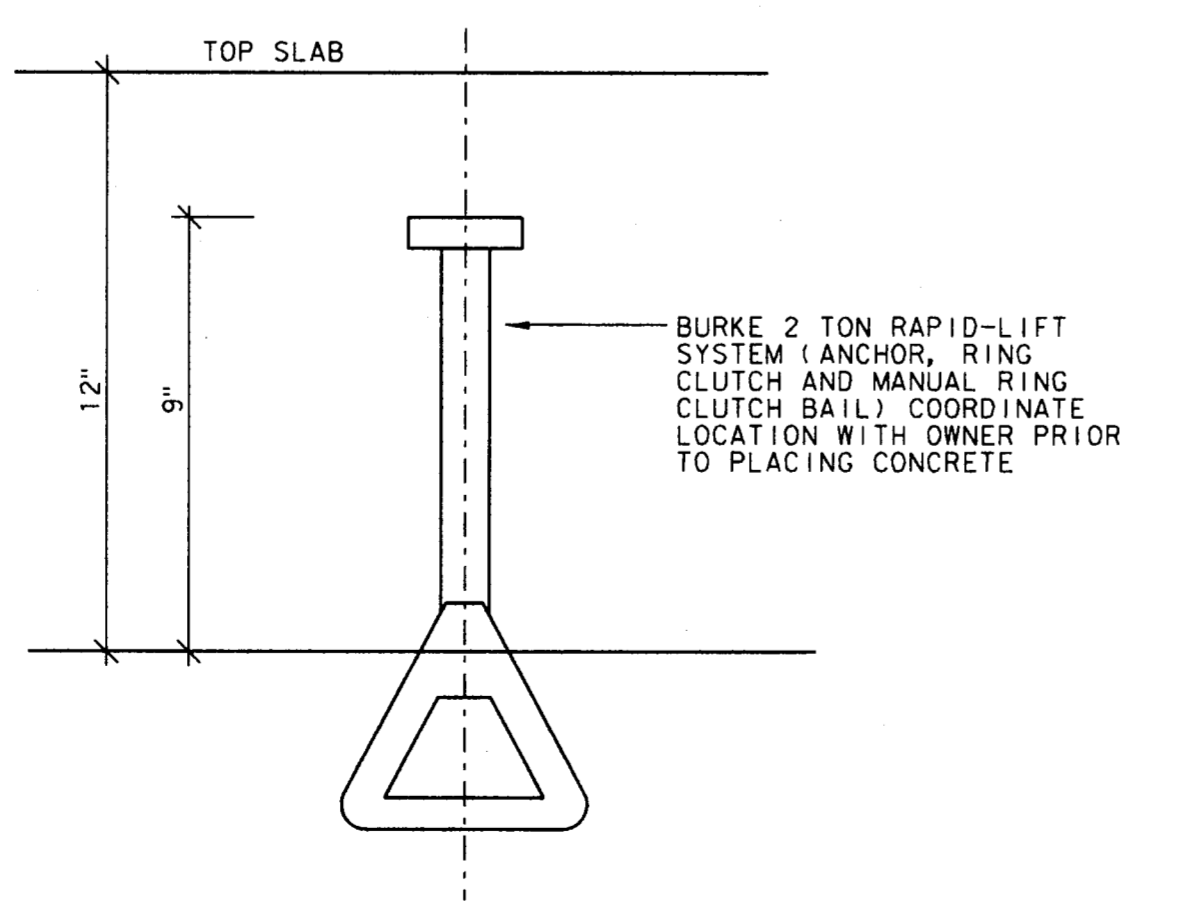
UPPER SLAB REINFORCEMENT B
1/2" = 1'-0"



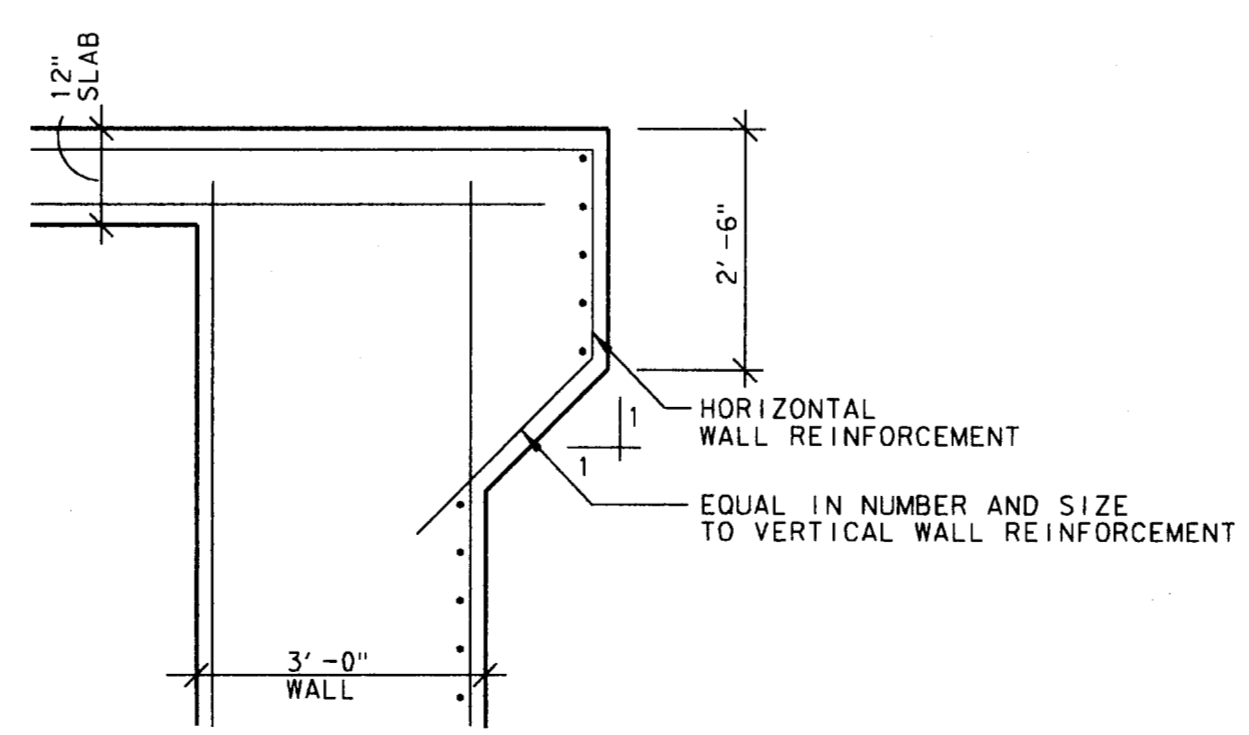
TYPICAL CMU WALL ELEVATION C
NTS



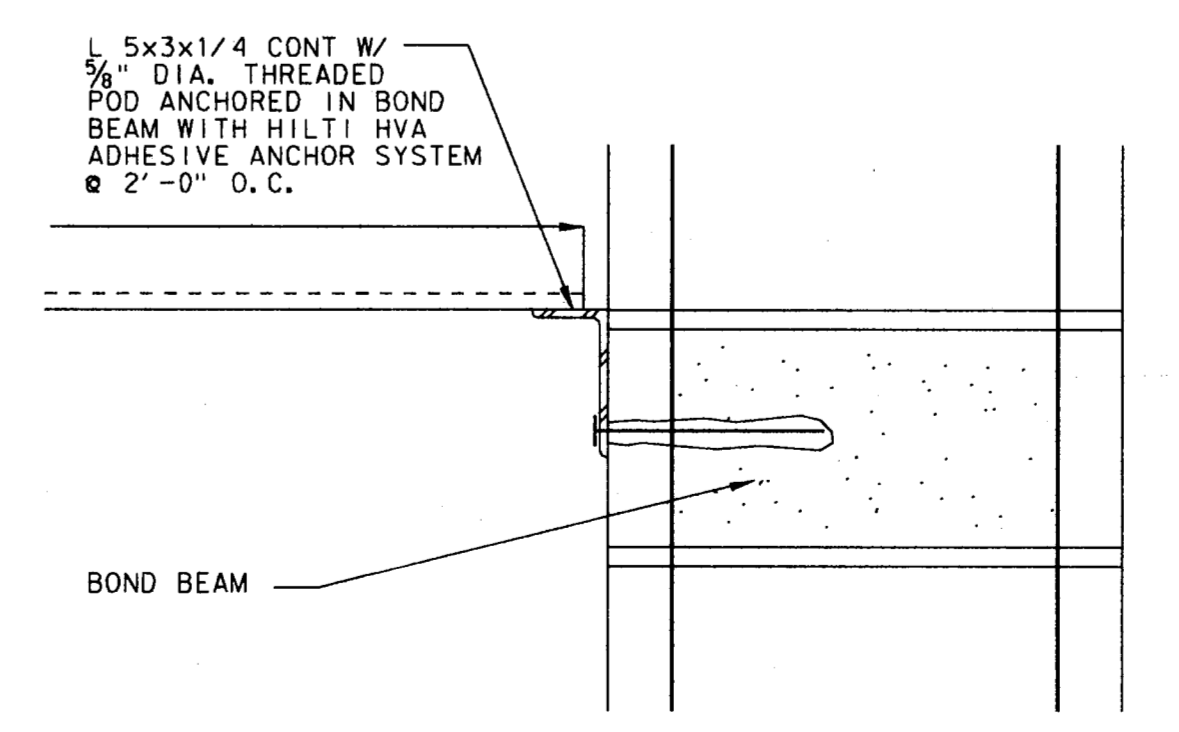
ANCHOR BOLT LAYOUT FOR VENT PIPE D
1" = 1'-0"



EYE BOLT HANGER E
3" = 1'-0"



DETAIL AT SLAB BRACKET F
1/2" = 1'-0"



ROOF DECK WALL SUPPORT G
NTS

4			
3			
2			
1	4-98	AS BUILT DRAWING	J.H.L.
NO.	DATE	REVISION	APPROV.
TOWN OF ADDISON, TEXAS			
MIDWAY/BELTLINE SANITARY SEWER PHASE II			
LIFT STATION - STRUCTURAL BUILDING SECTIONS AND DETAILS			
 Carter Burgess Consultants in Engineering, Architecture, Planning and the Environment. CARTER & BURGESS, INC. 7950 ELMBROOK DRIVE, SUITE 250 DALLAS, TX 75247-4961			
Unit	Scale	Date	04-05-98
Designed	K. Houghton	Checked	K. Houghton
Drawn	C. Sammons	Approved	J. Lindner
Job No.	93327601D	Sheet	47 of 63