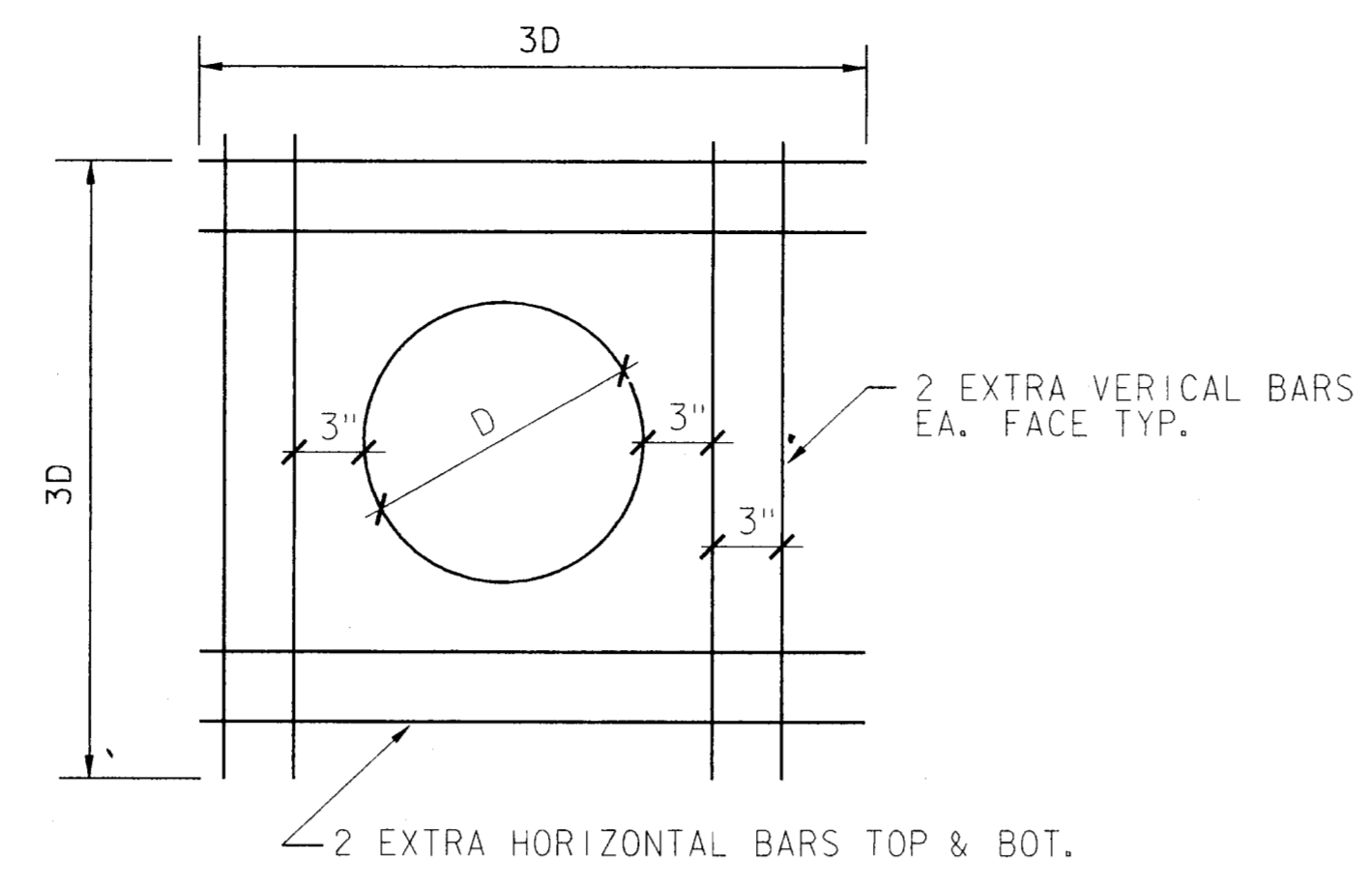
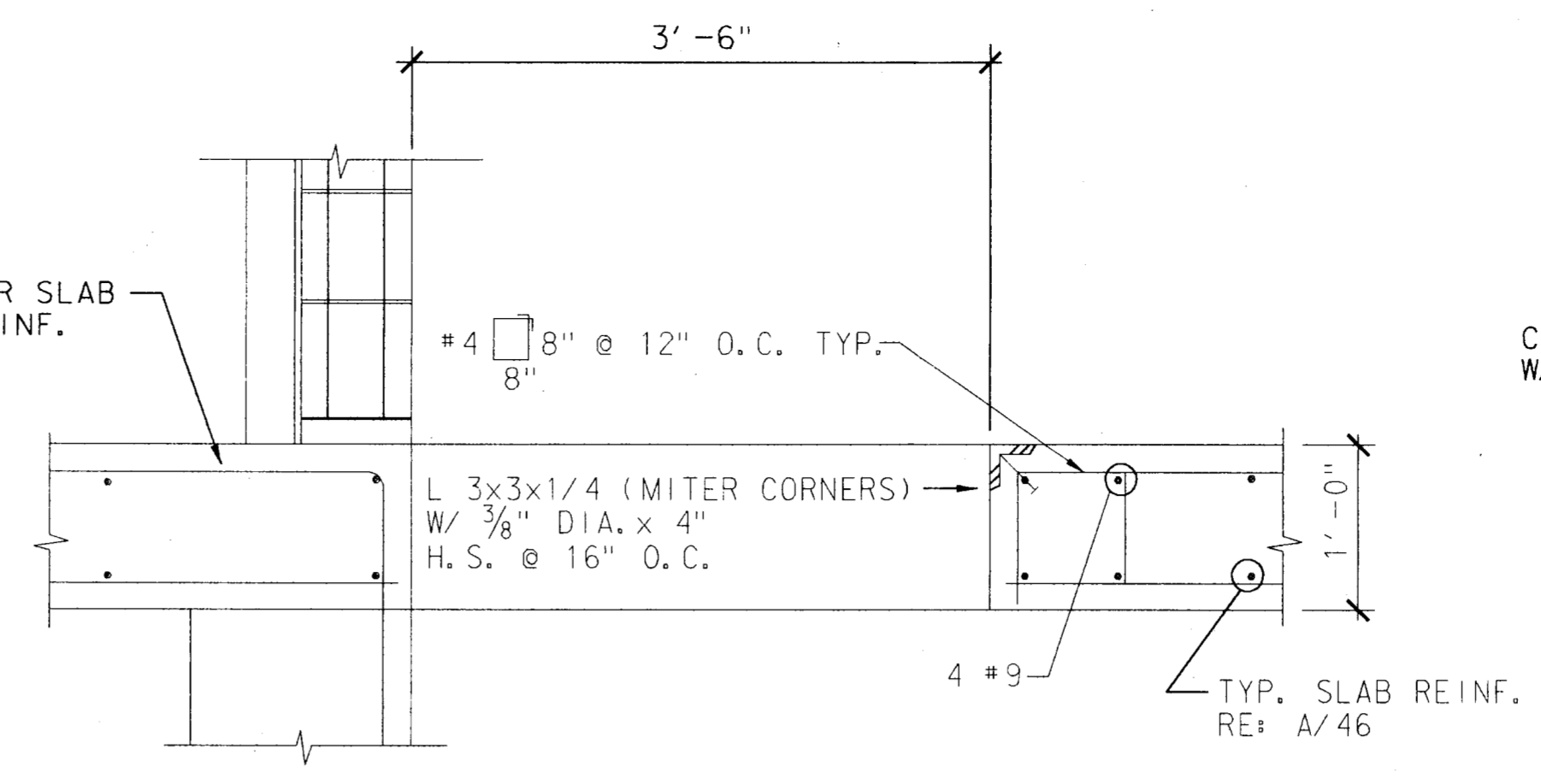


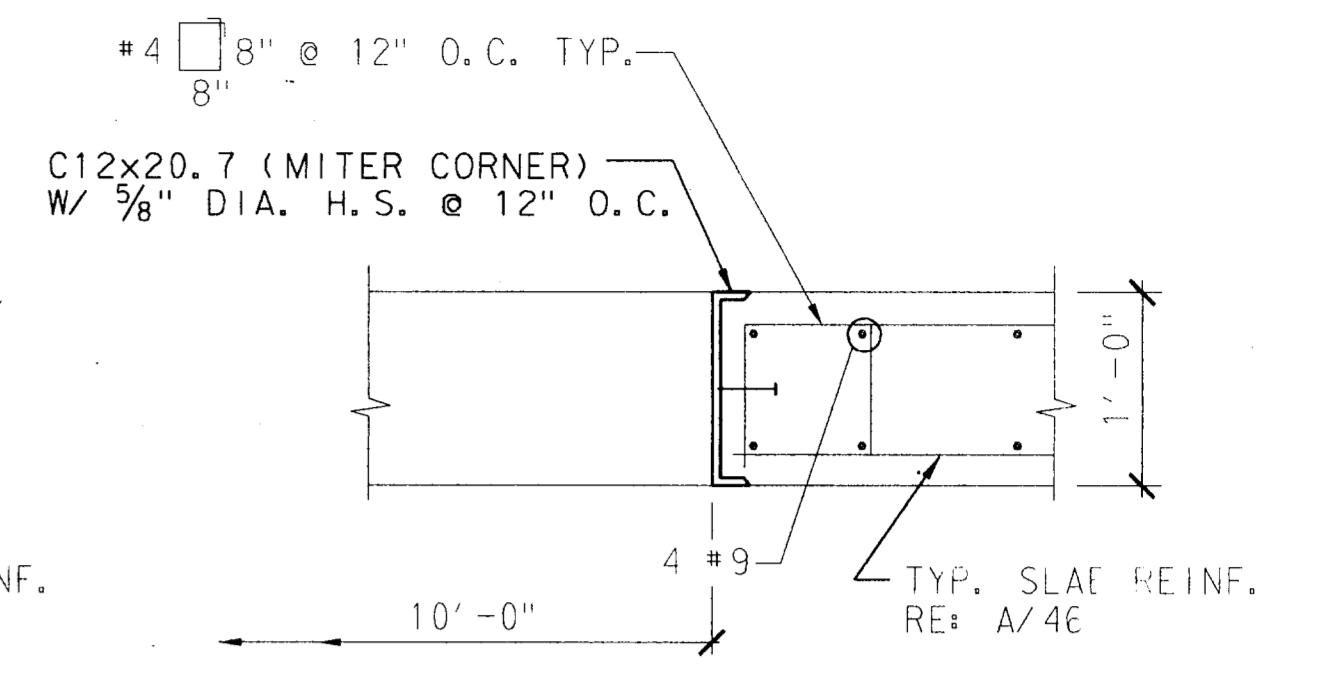
TYPICAL DETAIL (A)
1" = 1'-0"



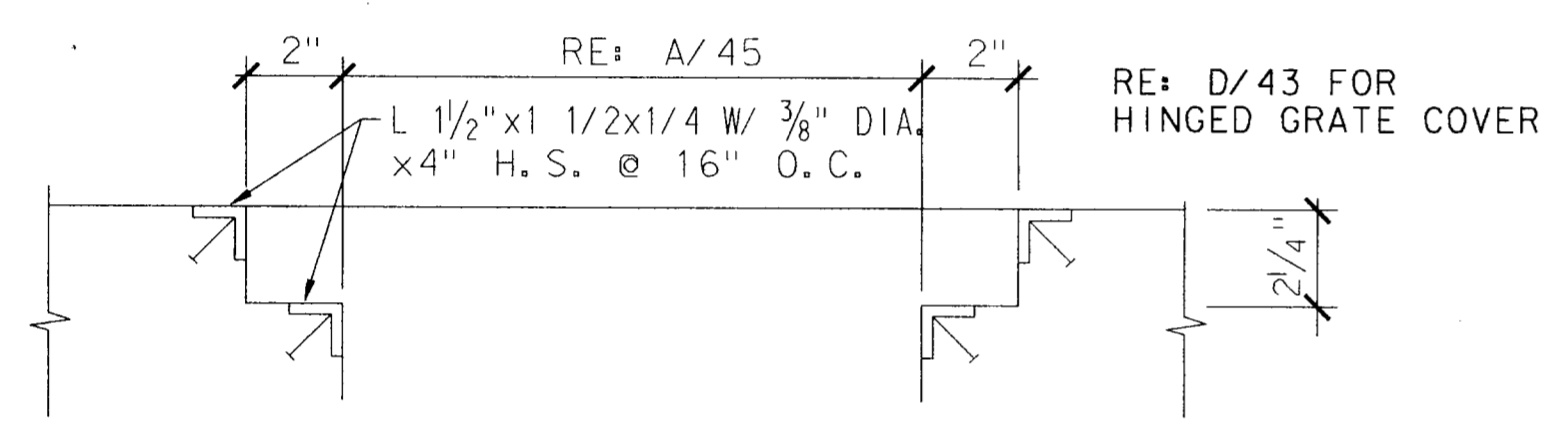
REINFORCEMENT AROUND WALL OPENINGS (B)
1/2" = 1'-0"



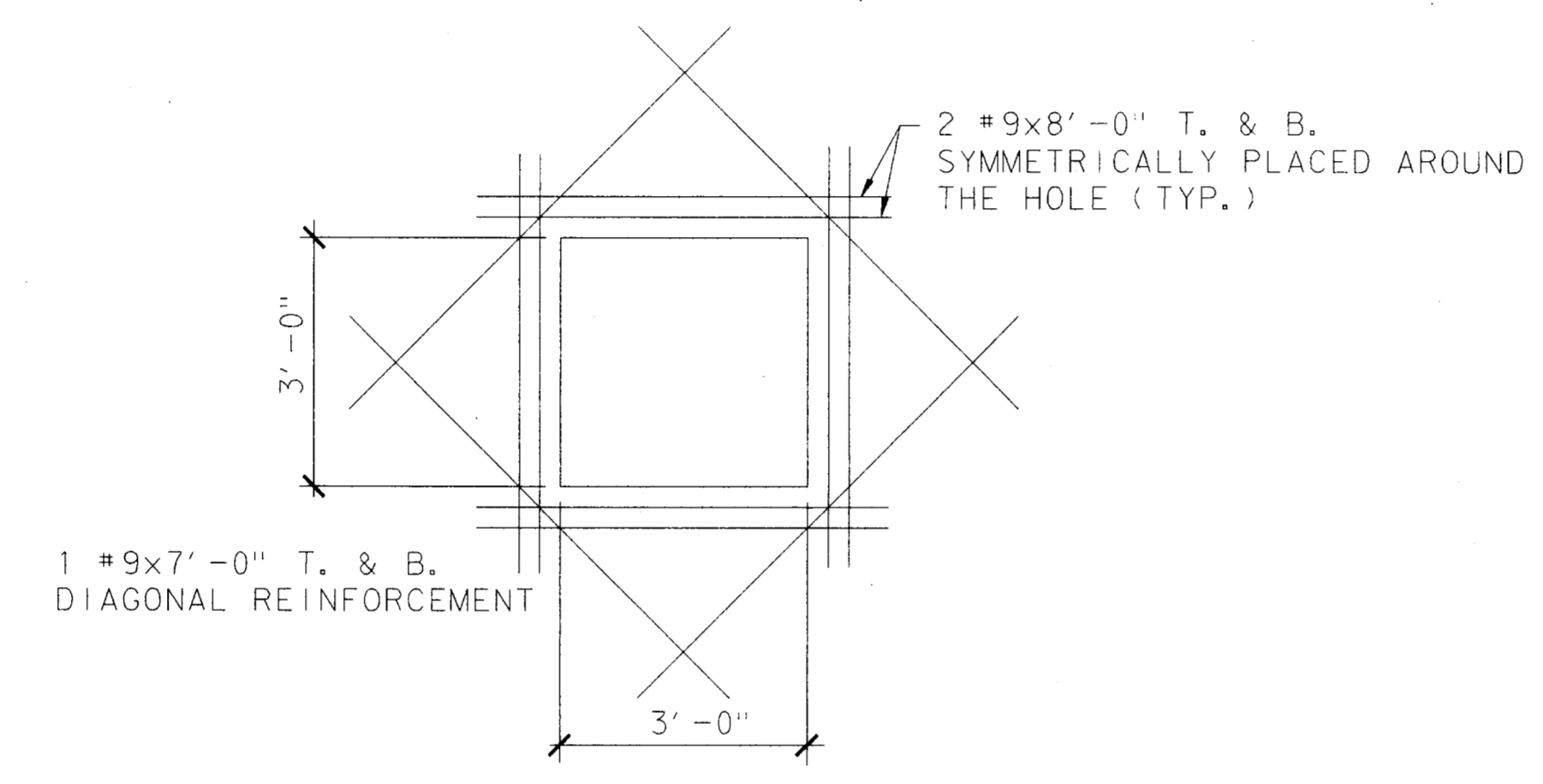
SECTION AT STAIR OPENINGS (C)
1" = 1'-0"



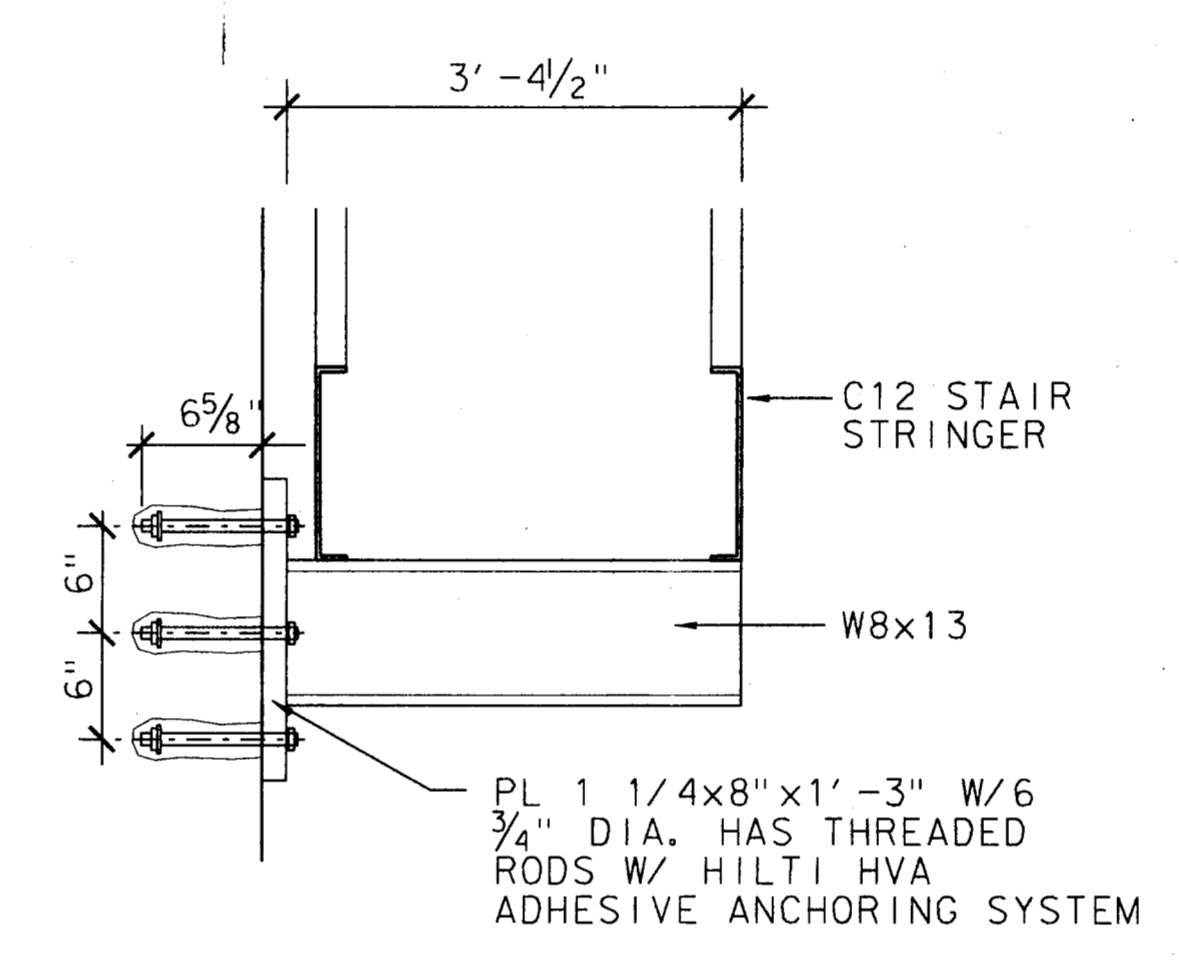
LONG SECTION AT STAIR OPENING (D)
1" = 1'-0"



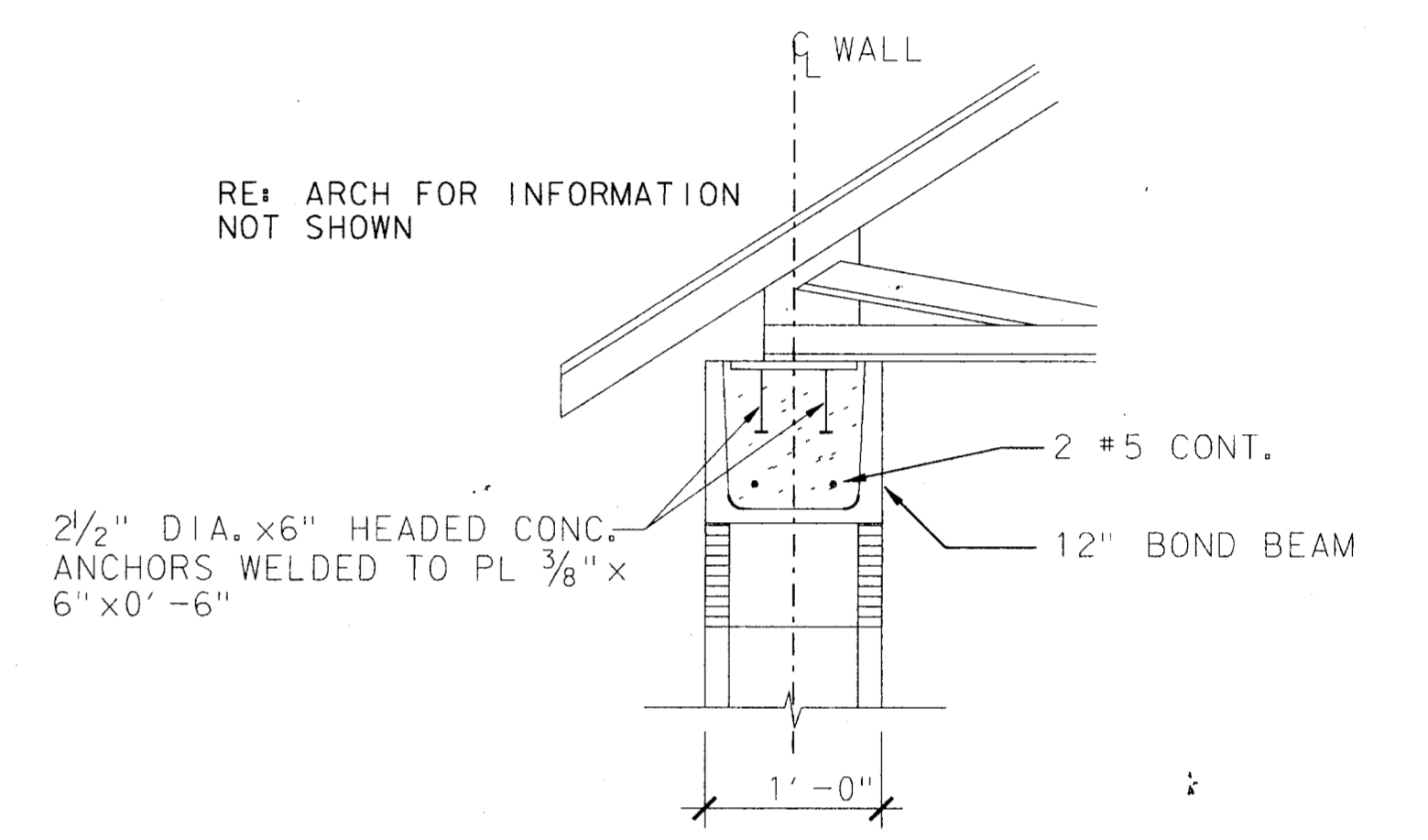
SECTION AT ACCESS HOLE (E)
1" = 1'-0"



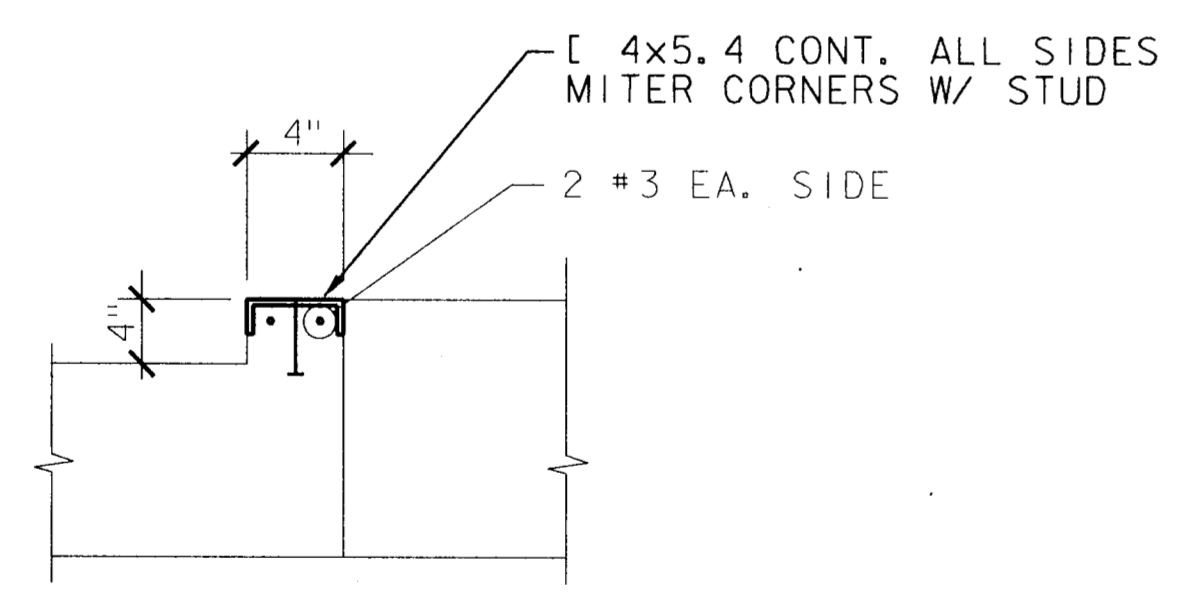
DETAIL - 3'-0" SQ. OPENINGS (F)
1/2" = 1'-0"



TYPICAL STAIR SUPPORT (G)
1" = 1'-0"



TRUSS SEAT AT BOND BEAM (H)
1" = 1'-0"



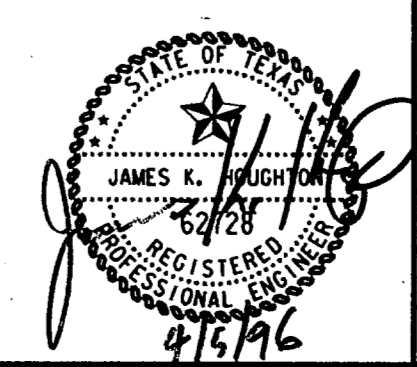
HATCH AND FAN OPENING DETAIL (I)
1" = 1'-0"

4			
3			
2			
1	9-4-98	AS BUILT DRAWING	J. H. L.
NO.	DATE	REVISION	APPROV.

TOWN OF ADDISON, TEXAS
MIDWAY/BELTLINE SANITARY SEWER
PHASE II
LIFT STATION
STRUCTURAL DETAILS

Carter Burgess

Consultants in Engineering, Architecture,
Planning and the Environment
CARTER & BURGESS, INC.
7950 ELMBROOK DRIVE, SUITE 250
DALLAS, TX 75247-4961



Unit	Scale	Date	04-05-96
Designed	K. Houghton	Checked	K. Houghton
Drawn	C. Sommons	Approved	J. Lindner
Job No.	93327601D	Sheet	48 of 63