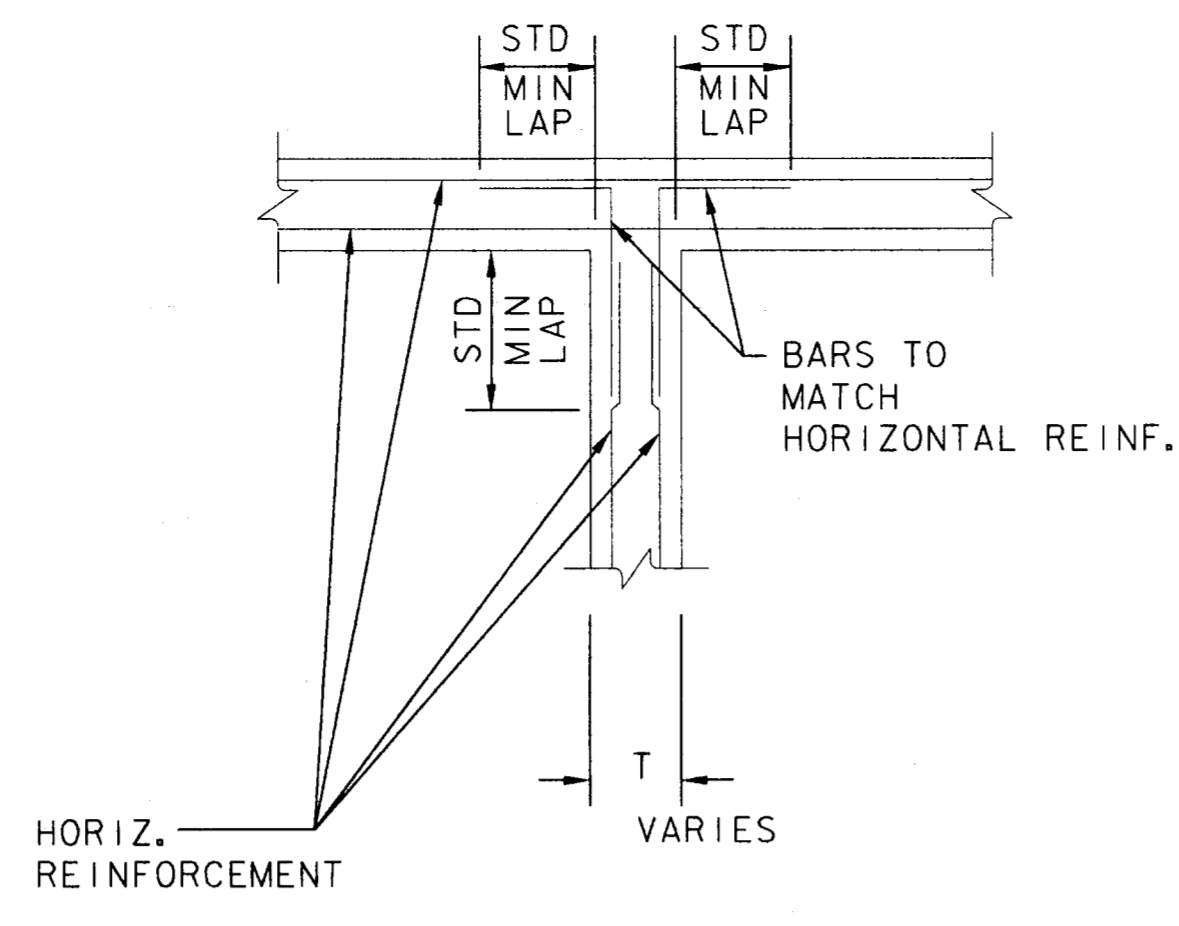


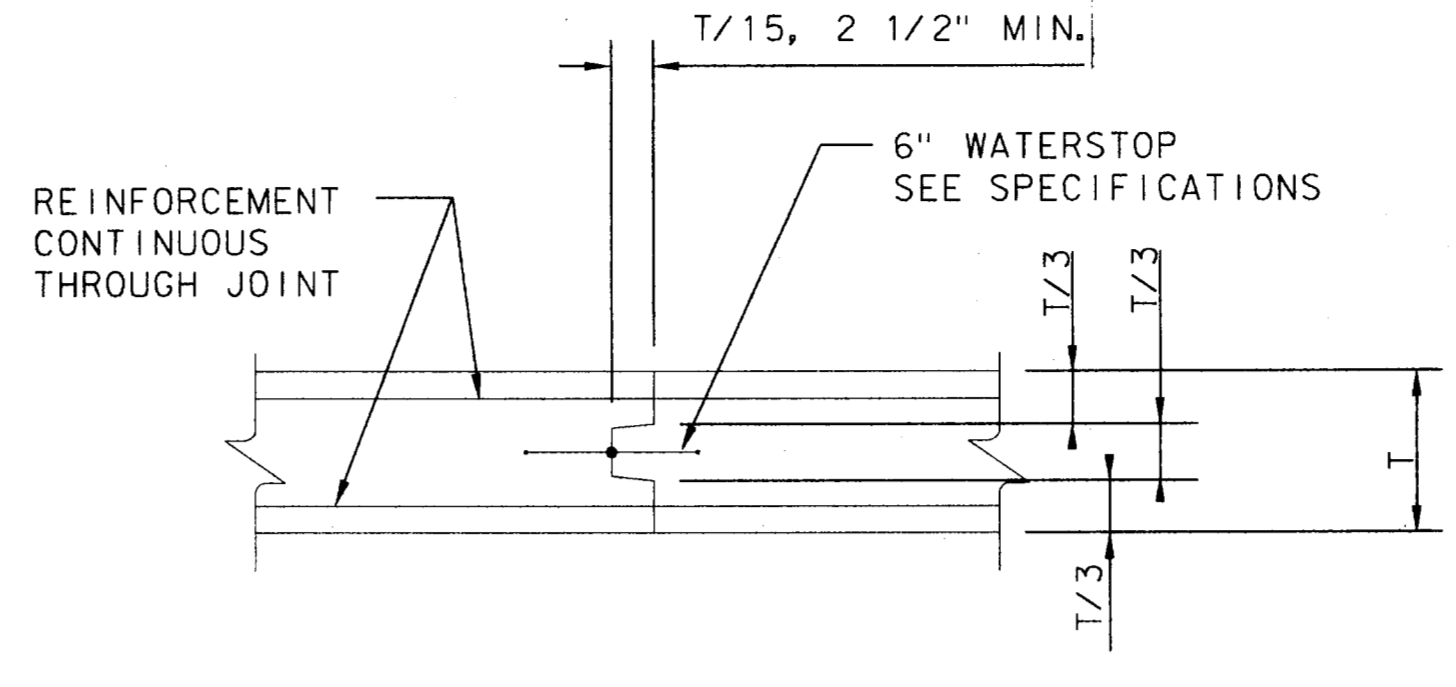
TYPICAL CORNER DETAIL (A)

NTS



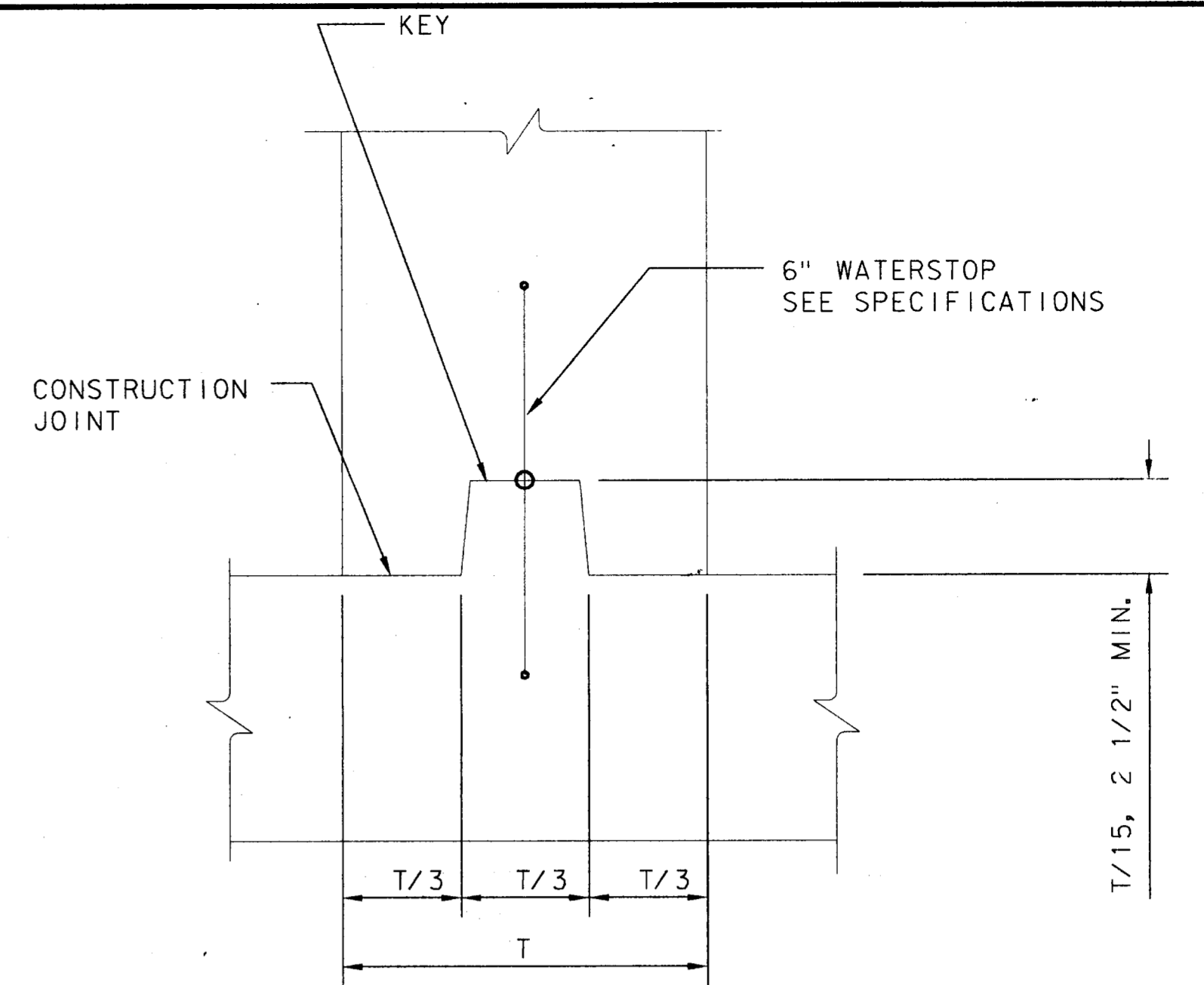
TYPICAL WALL TO WALL DETAIL (B)

NTS



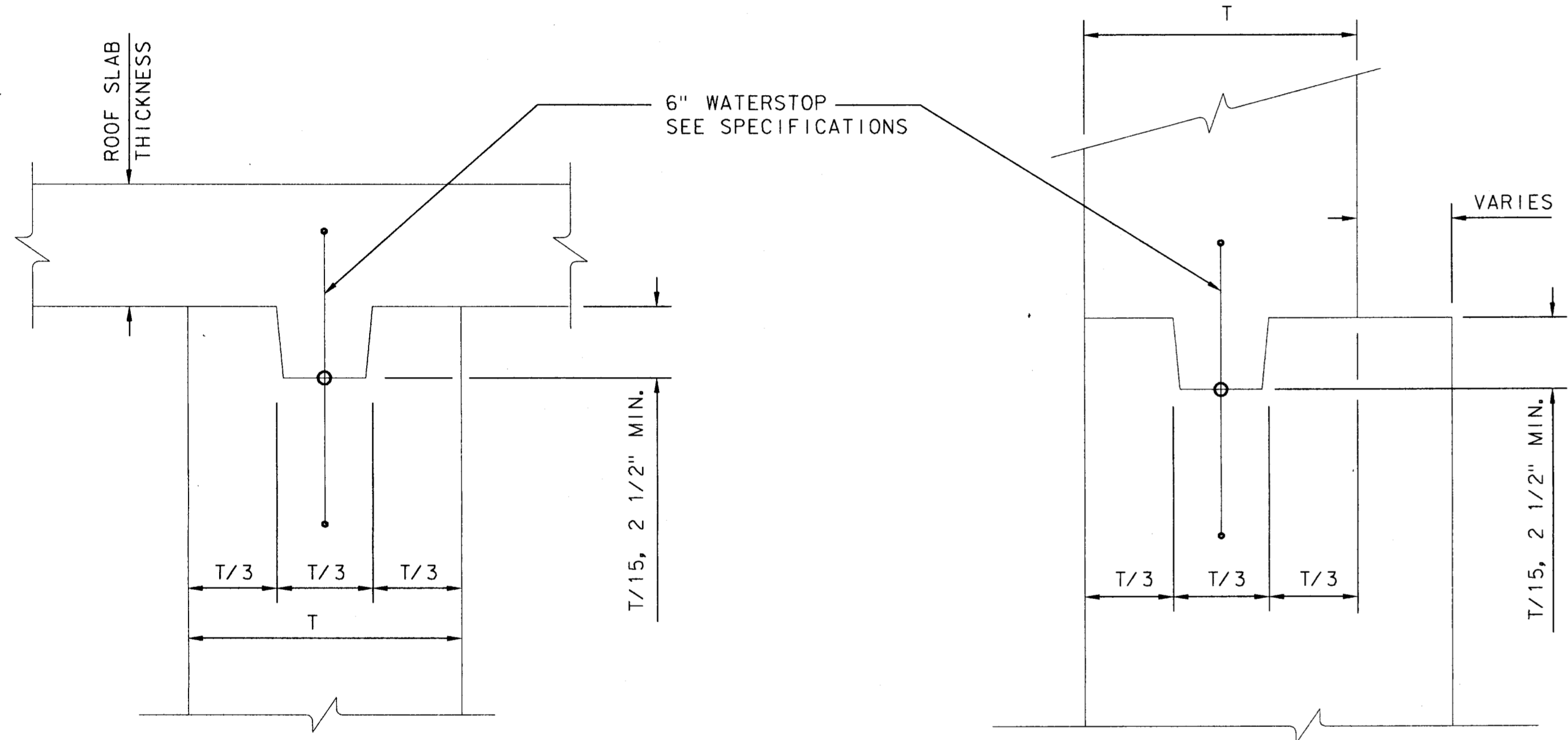
CONSTRUCTION JOINT AT SLAB (C)

NTS



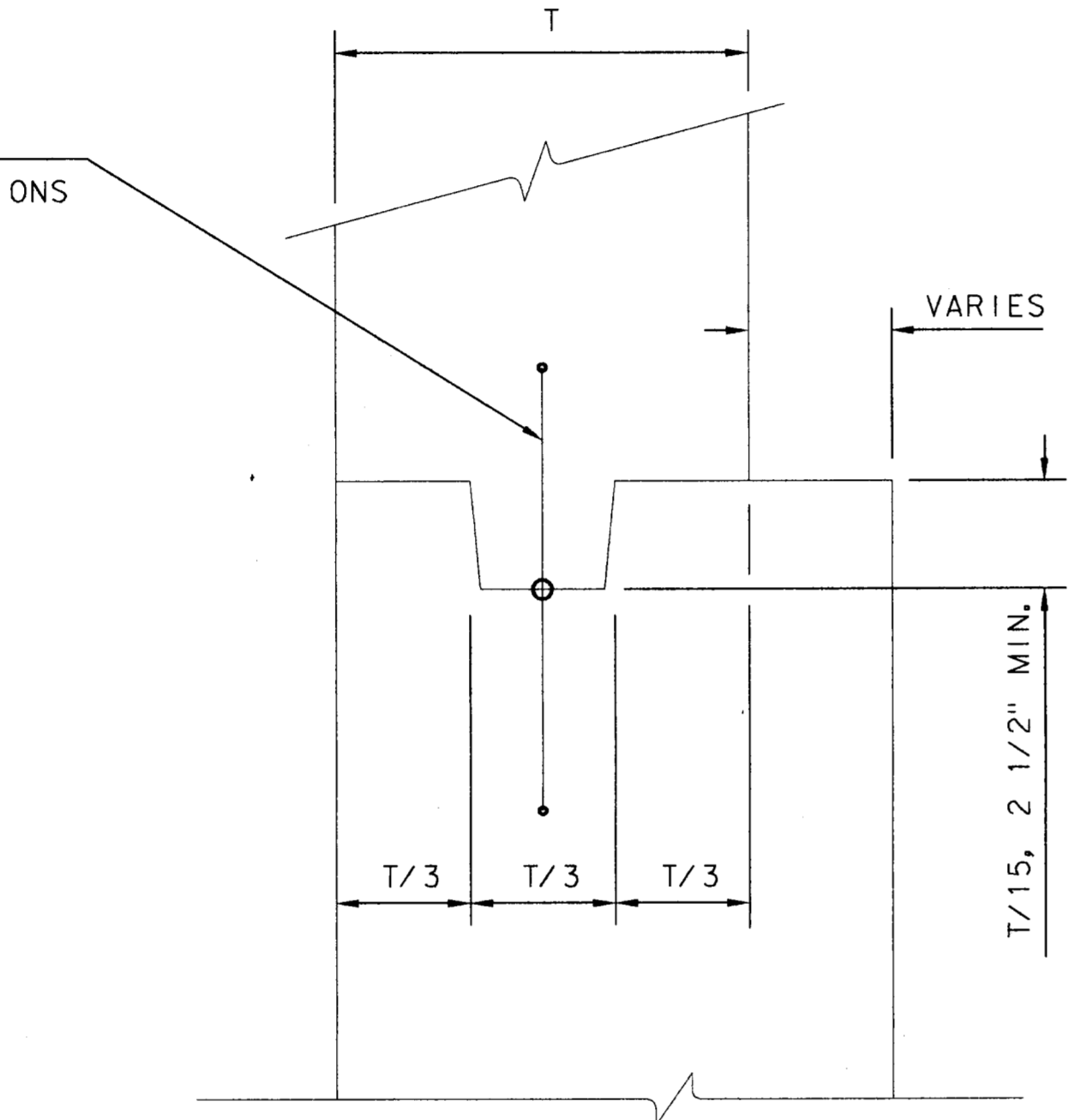
CONSTRUCTION JOINT LOWER SLAB TO WALL (D)

NTS



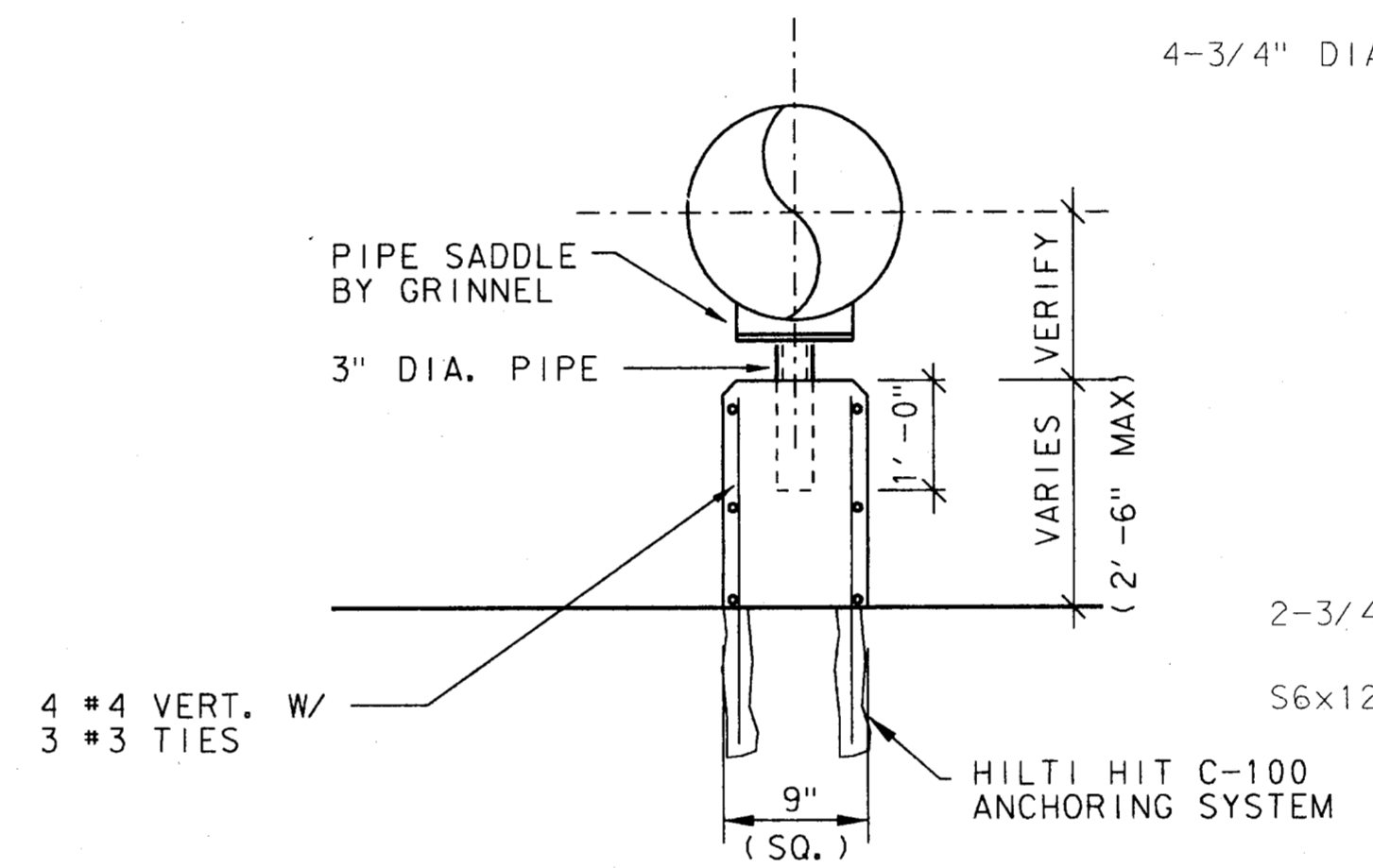
CONSTRUCTION JOINT UPPER SLAB TO WALL (E)

NTS



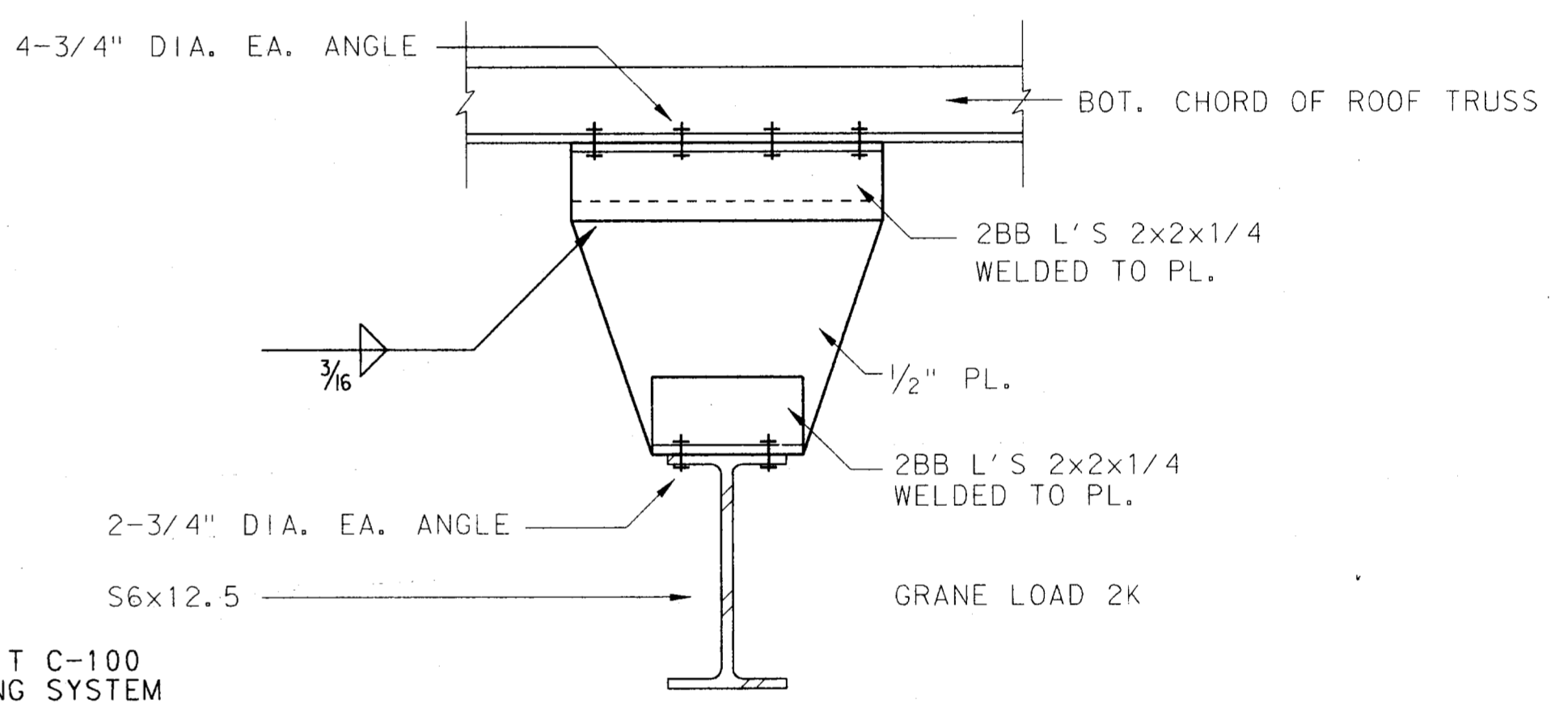
HORIZ. OR VERT. CONSTRUCTION JOINT AT WALL (F)

NTS



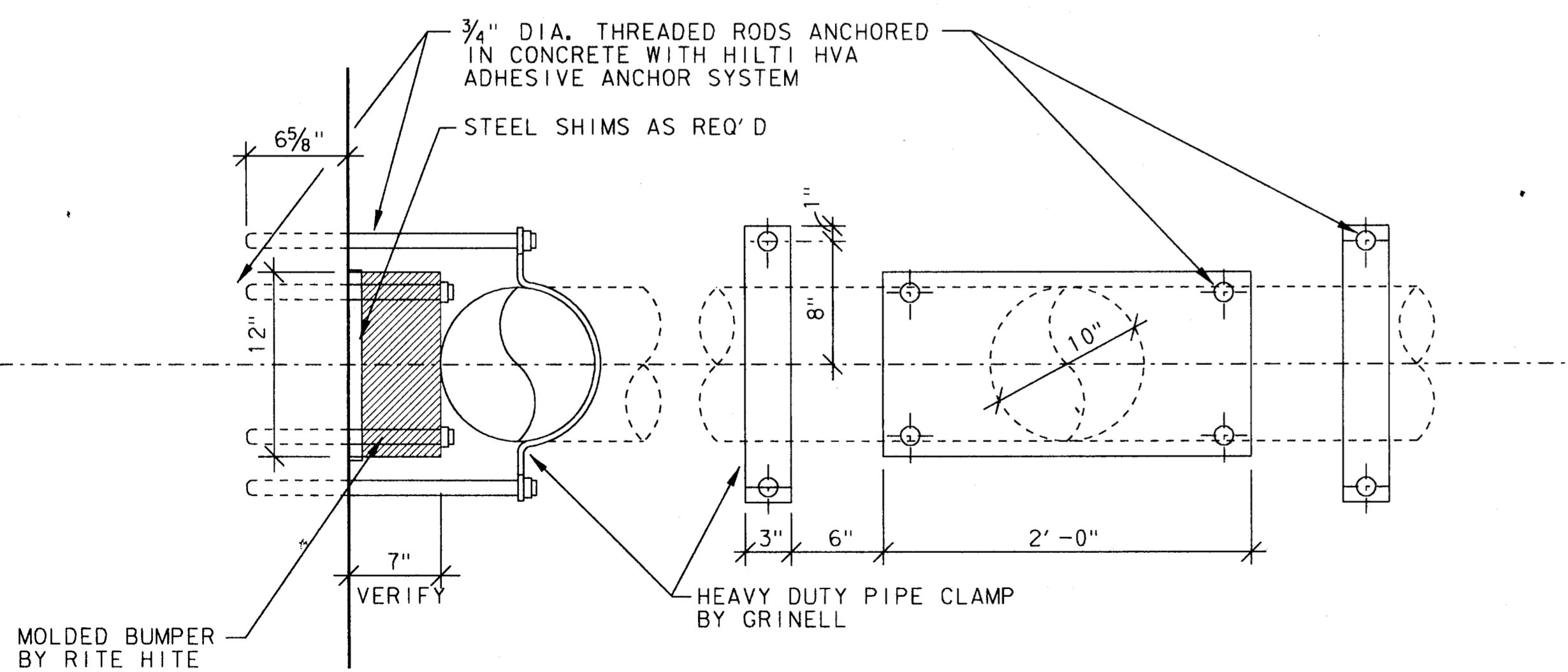
TYPICAL PUMP SUPPORT (G)

1\"/>



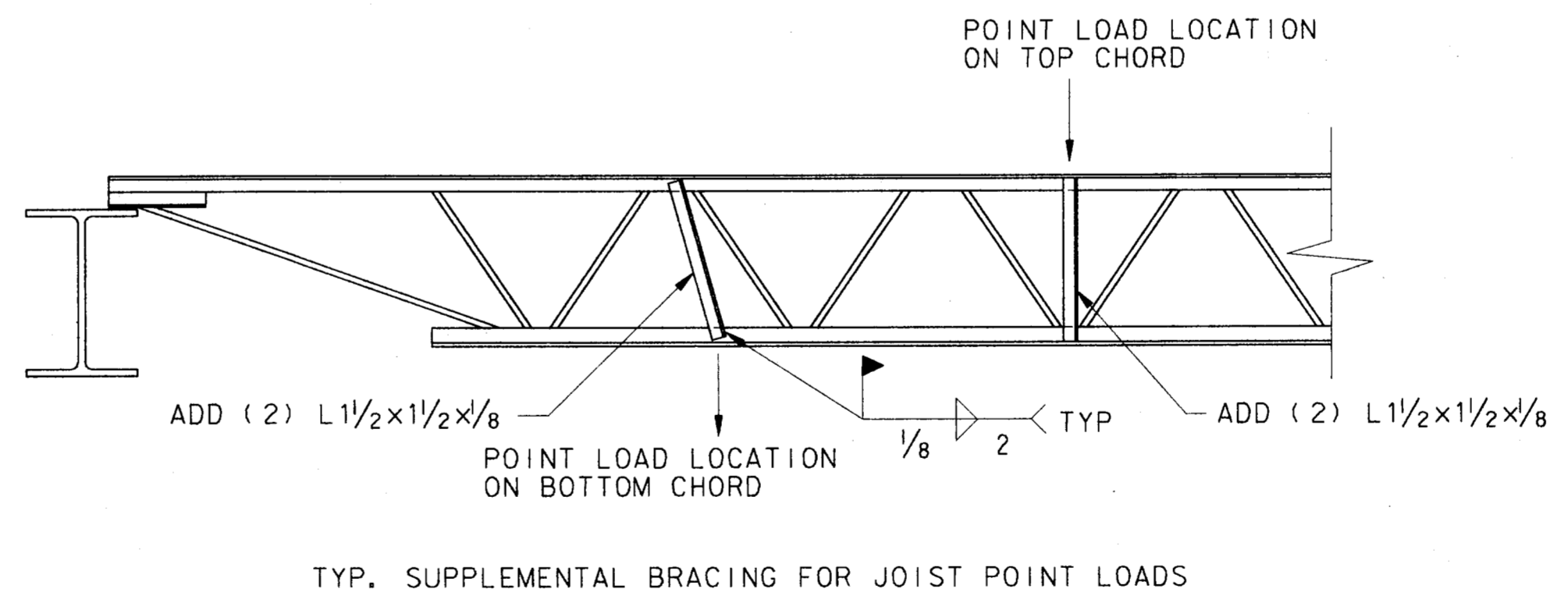
MONORAIL HOIST BEAM HANGER (H)

3\"/>



THRUST BLOCK DETAIL (I)

1/2\"/>



TYP. JOIST CHORD BRACING DETAIL (J)

1\"/>

NOTE: USE THIS DETAIL WHEN POINT LOAD EXCEEDS 20 LBS. AND IS 6\"/>

4			
3			
2			
1	9-4-98	AS BUILT DRAWING	J. H. L.
NO.	DATE	REVISION	APPROV.
TOWN OF ADDISON, TEXAS			
MIDWAY/BELTLINE SANITARY SEWER PHASE II			
LIFT STATION STRUCTURAL DETAILS			
Carter Burgess Consultants in Engineering, Architecture, Planning and the Environment CARTER & BURGESS, INC. 7955 ELMBROOK DRIVE, SUITE 250 DALLAS, TX 75247-4961			
Unit	Scale	Date 04-05-96	
Designed	K. Houghton	Checked	K. Houghton
Drawn	C. Simmons	Approved	J. Lindner
Job No.	93327601D	Sheet	49 of 63

