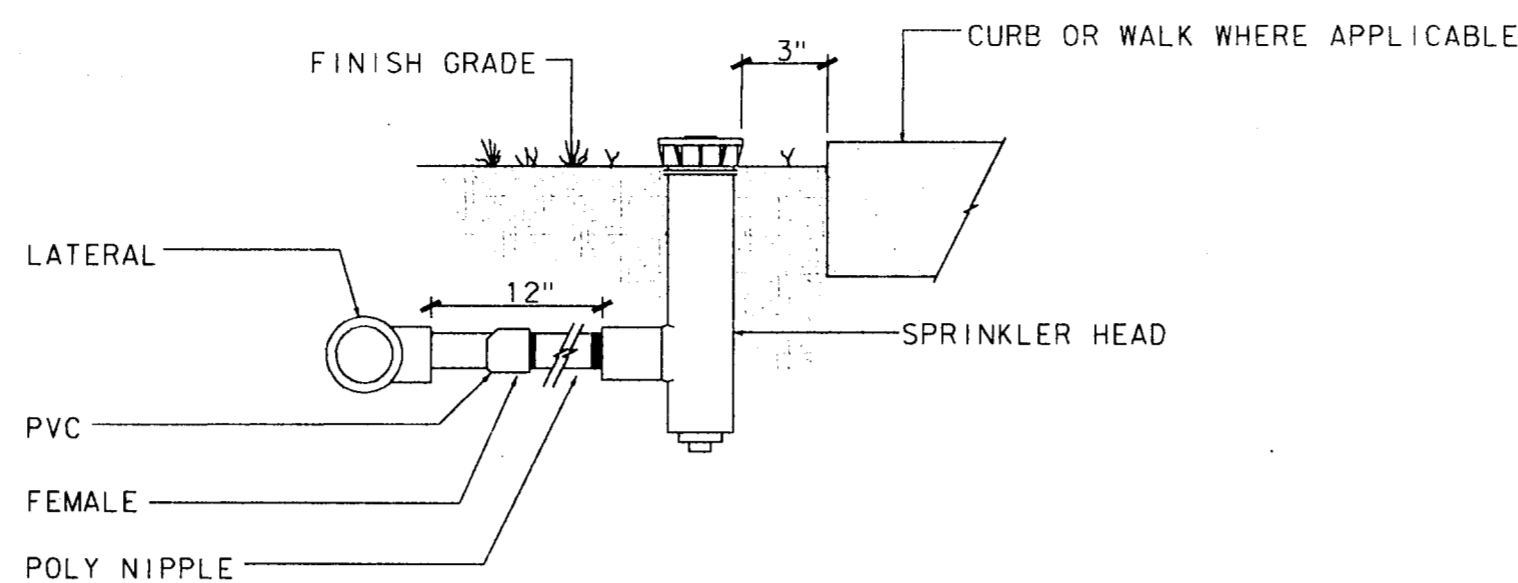


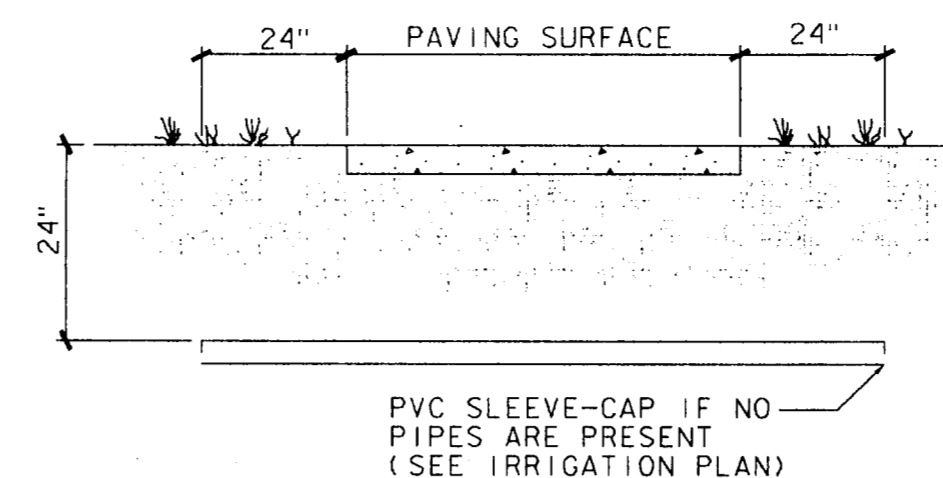
TURF POP-UP SPRAY AND ROTOR HEAD DETAIL

NOT TO SCALE



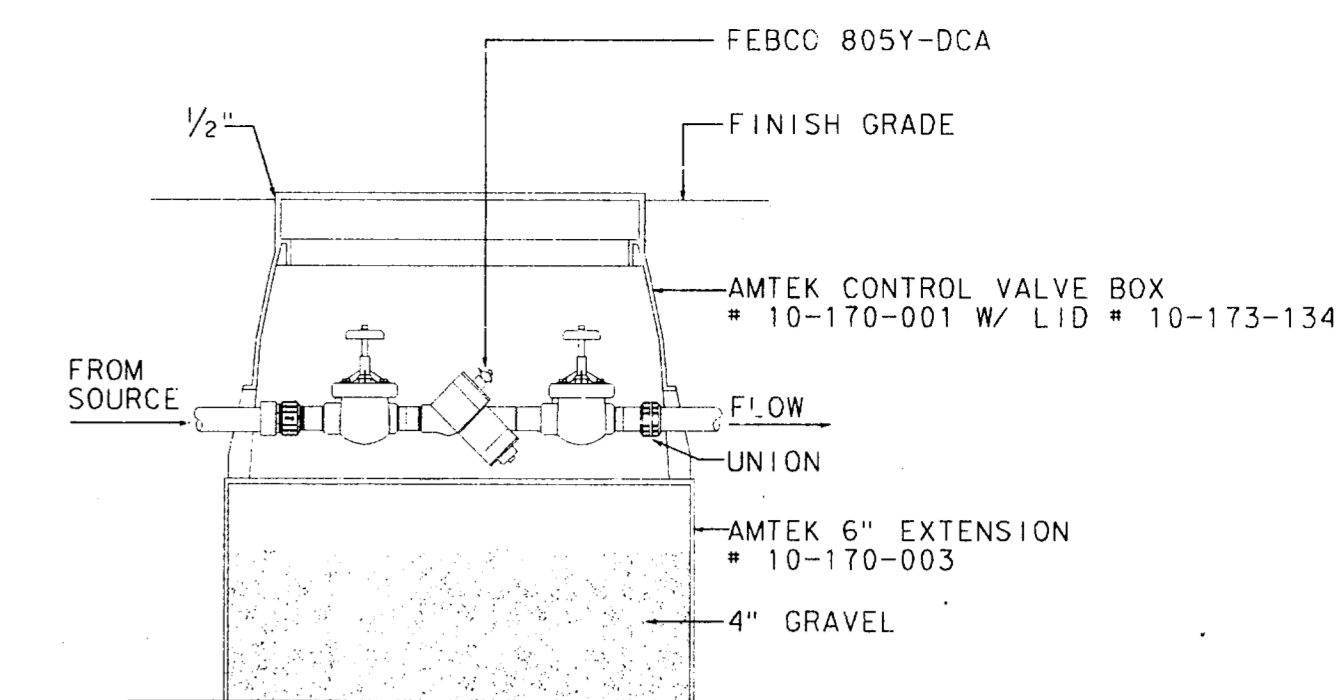
HIGH POP-UP SPRAY HEAD DETAIL

NOT TO SCALE



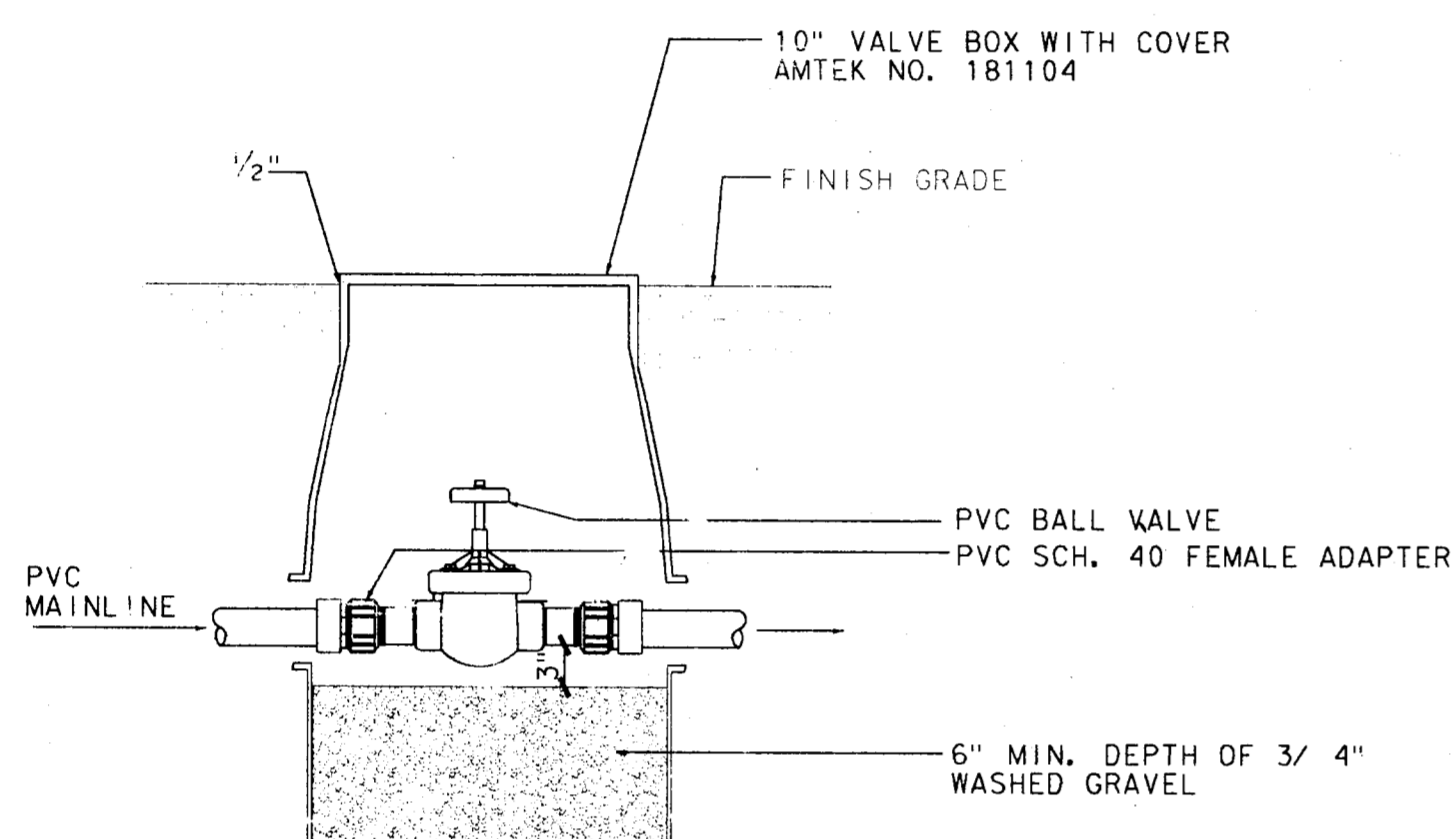
SLEEVE DETAIL

NOT TO SCALE



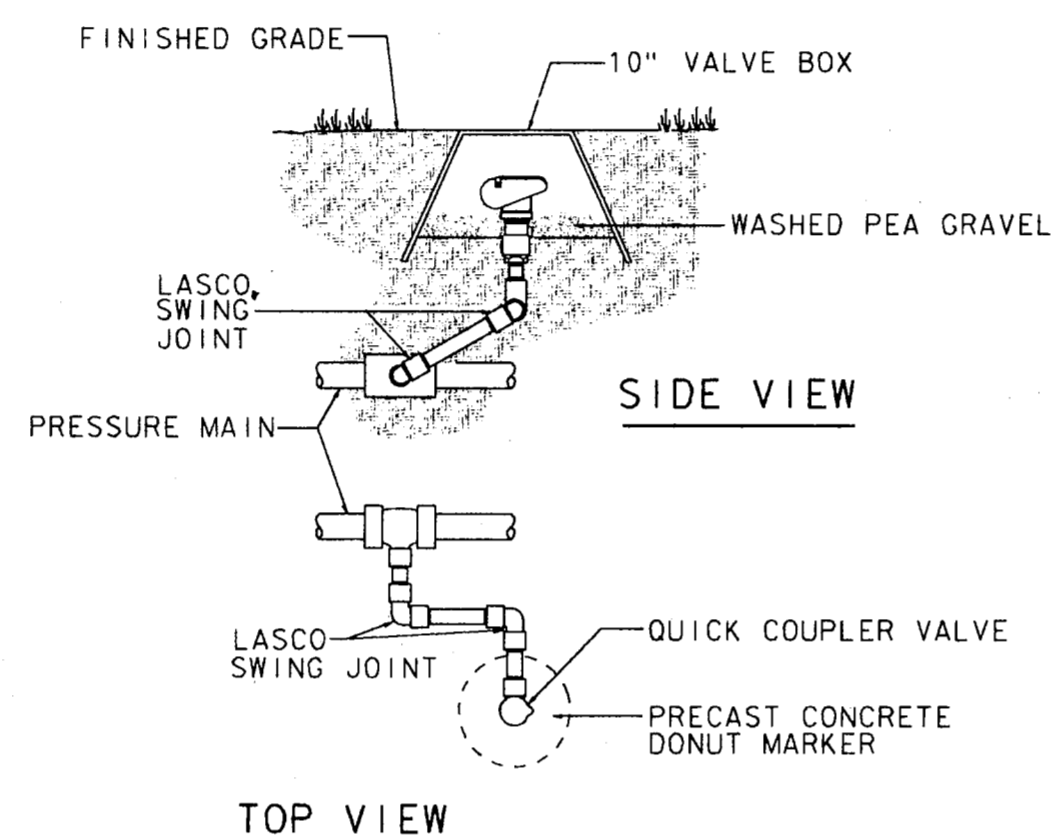
BACKFLOW PREVENTION DETAIL

NOT TO SCALE



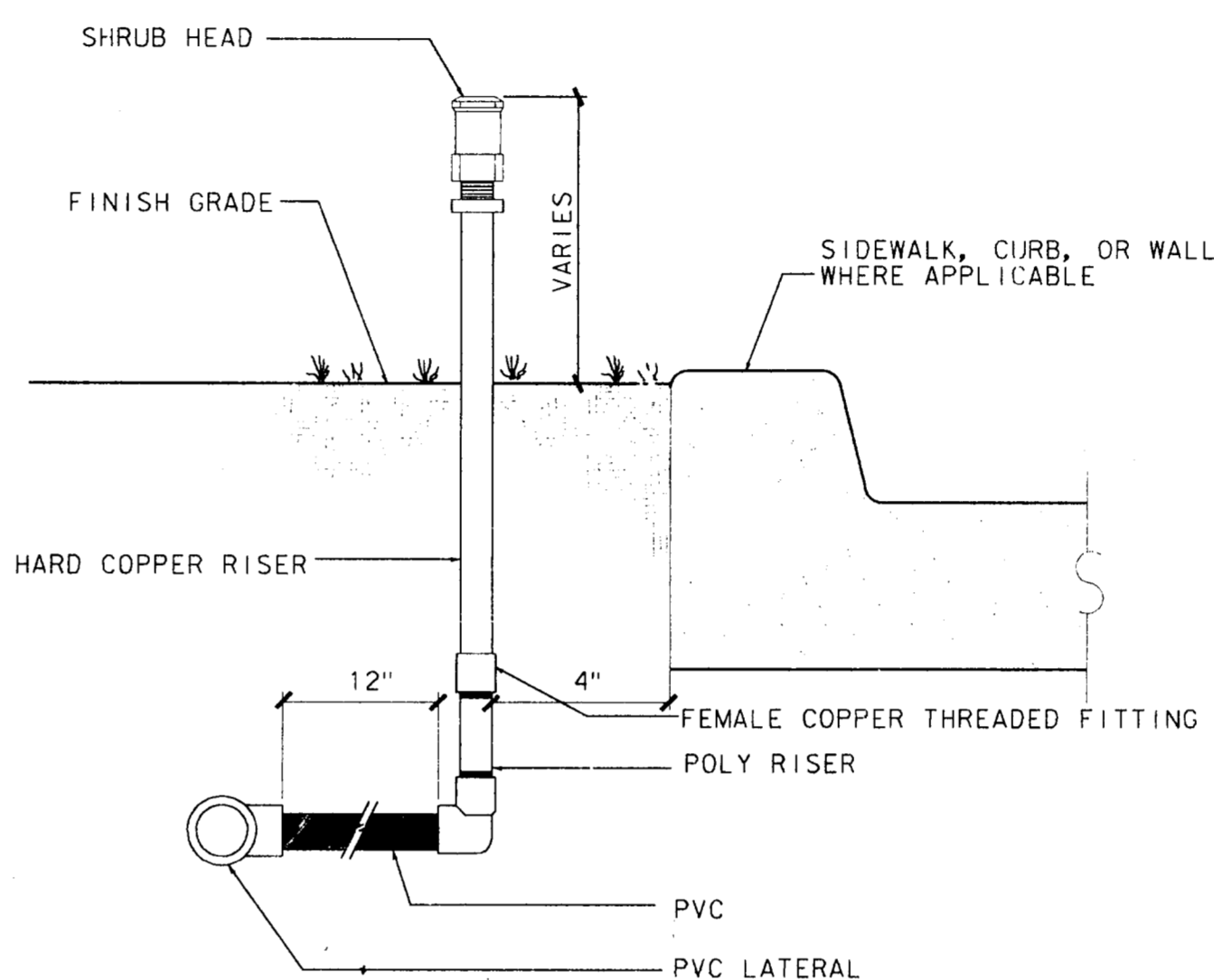
ISOLATION GATE VALVE DETAIL

NOT TO SCALE



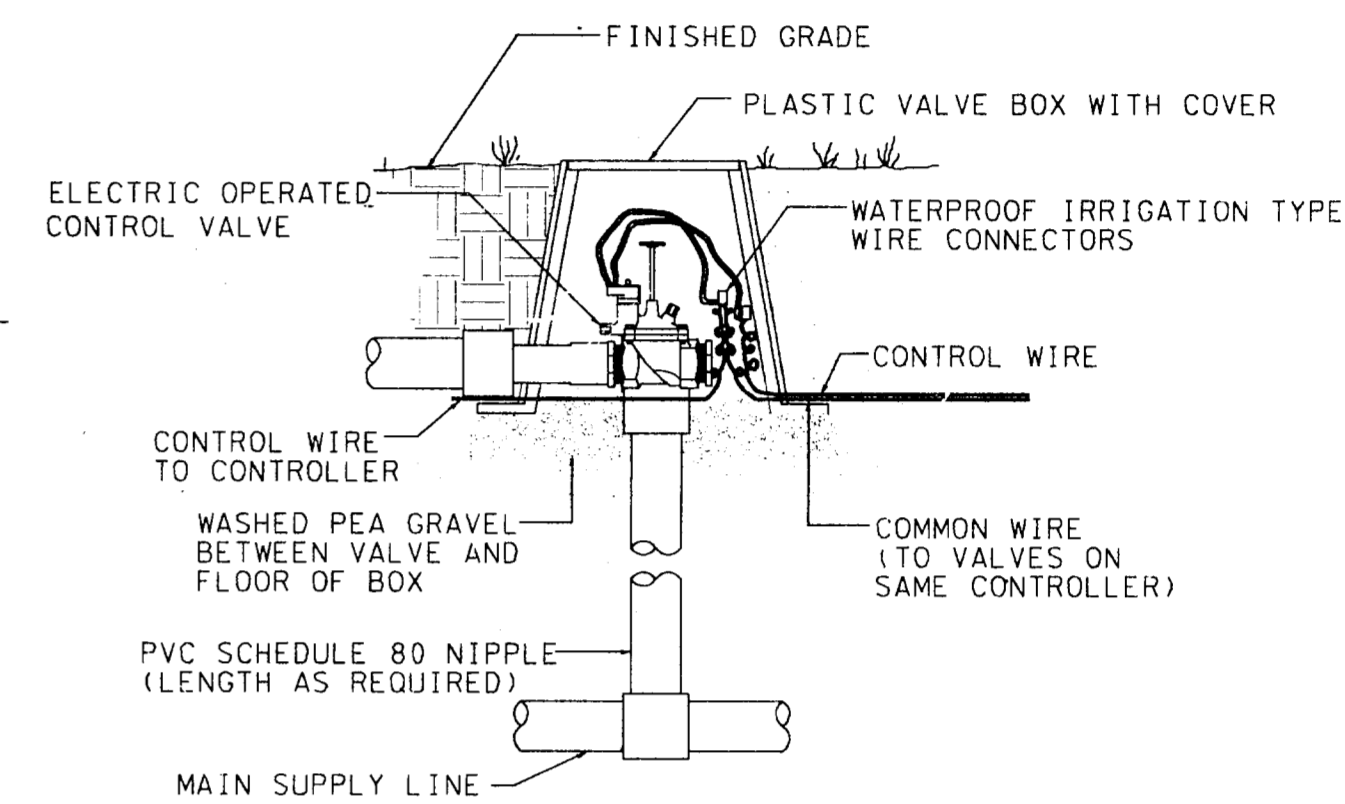
QUICK COUPLING VALVE DETAIL

NOT TO SCALE



SHRUB HEAD DETAIL

NOT TO SCALE

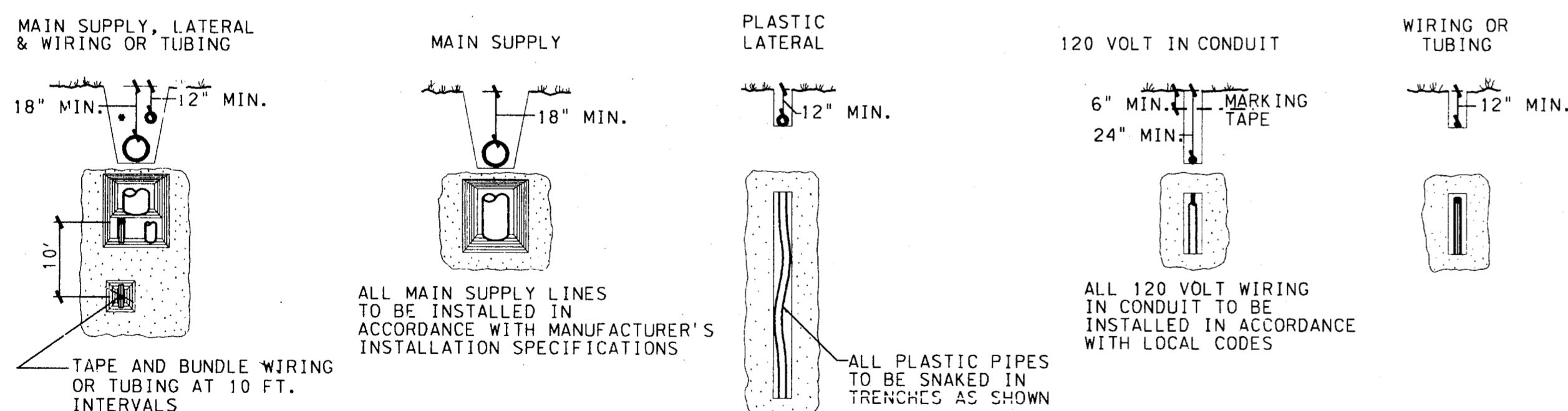


SOLENOID VALVE DETAIL

NOT TO SCALE

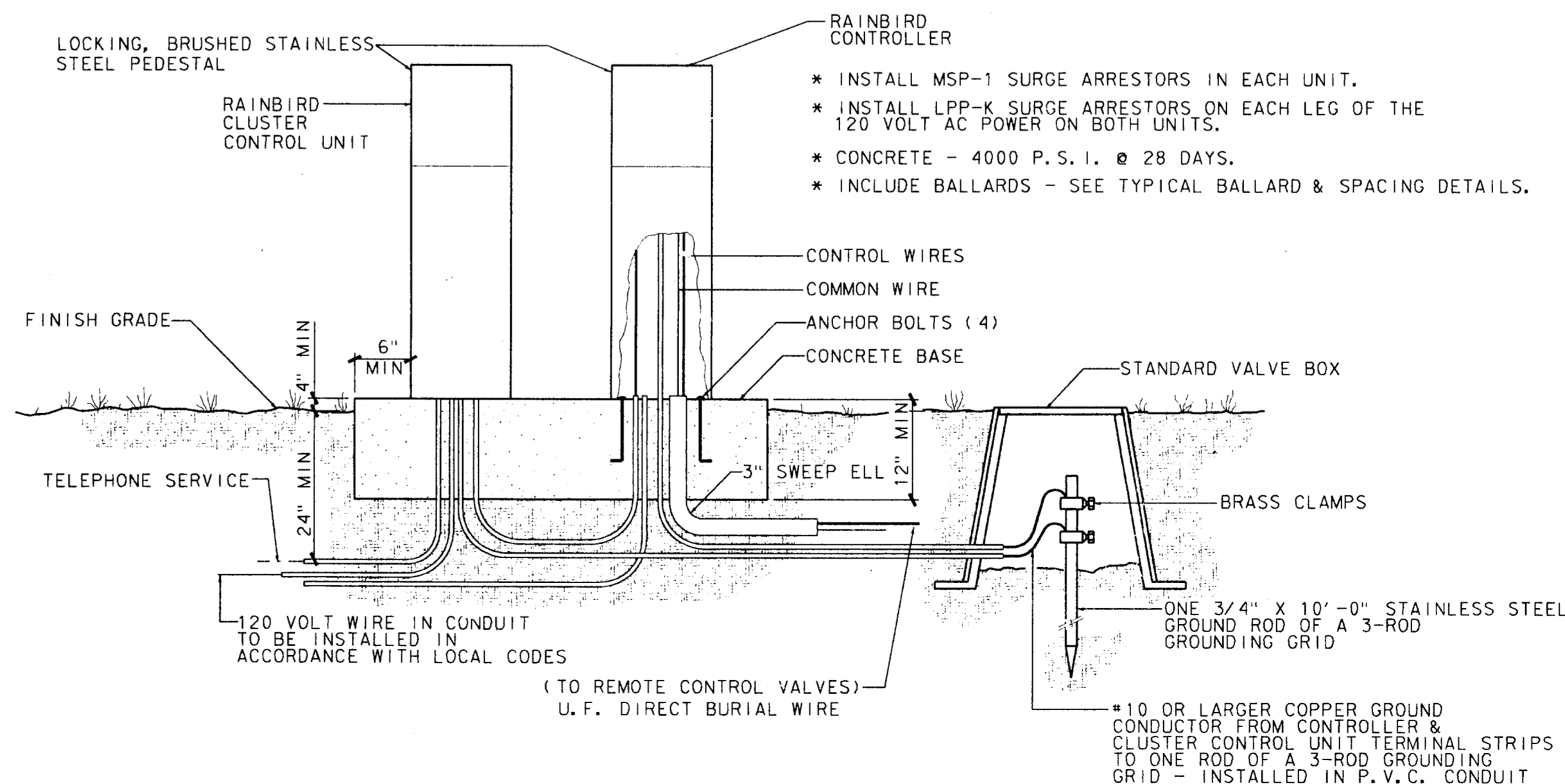
NOTES

1. ALL WIRE TO BE INSTALLED PER LOCAL CODE.
2. TAPE AND BUNDLE WIRE EVERY TEN FEET.
3. PROVIDE EXPANSION COILS AT EACH WIRE CONNECTION IN VALVE BOX. (WRAP AROUND 1/2" PIPE 15 TIMES.)
4. COMPACT SOIL AROUND VALVE BOX TO SAME DENSITY AS UNDISTURBED ADJACENT SOIL.
5. ORIENT RECTANGULAR VALVE BOXES SO THAT THE EDGES ARE PARALLEL TO ADJACENT WALKS, CURBS, ETC.



TRENCHING DETAILS

NOT TO SCALE



TYPICAL CONTROLLER & CL. CONTROL UNIT PAD DETAILS

NOT TO SCALE

| | | | |
|-----|--------|------------------|----------|
| 4 | | | |
| 3 | | | |
| 2 | | | |
| 1 | 5-4-98 | AS BUILT DRAWING | J. H. L. |
| NO. | DATE | REVISION | APPROV. |

TOWN OF ADDISON, TEXAS

MIDWAY/BELTLINE SANITARY SEWER
PHASE II

LIFT STATION
IRRIGATION DETAILS

Carter Burgess

Consultants in Engineering, Architecture,
Planning and the Environment
CARTER & BURGESS, INC.
7950 EMBROOK DRIVE, SUITE 250
DALLAS, TX 75247-4961

| | | | | |
|----------|---------|----------|------------|-------------------|
| Unit | Scale | 1" = 20' | Date | 04-05-96 |
| Designed | B. Luck | Checked | J. Lindner | Job No. 93327601D |
| Drawn | B. Luck | Approved | J. Lindner | Sheet 63 of 63 |

