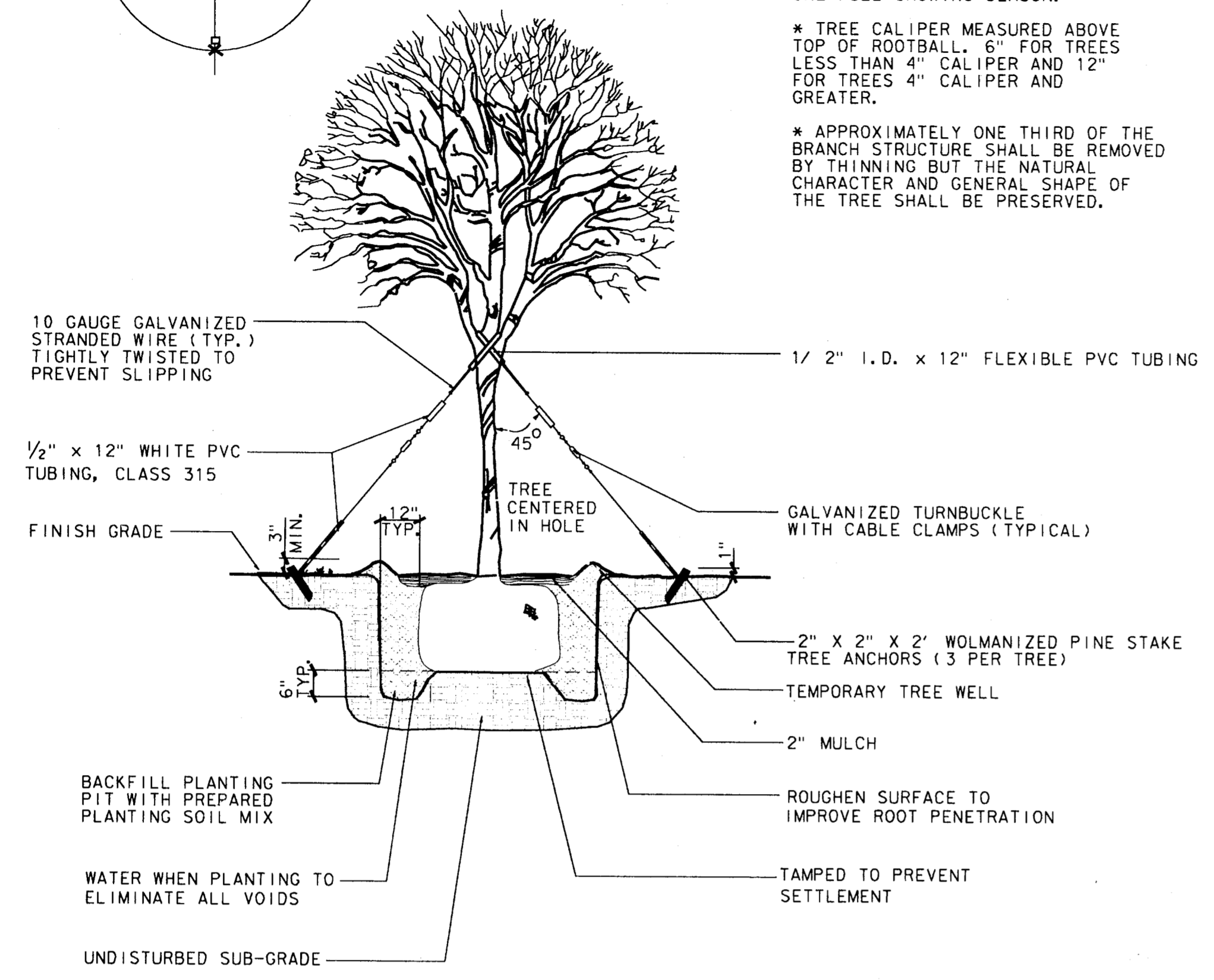


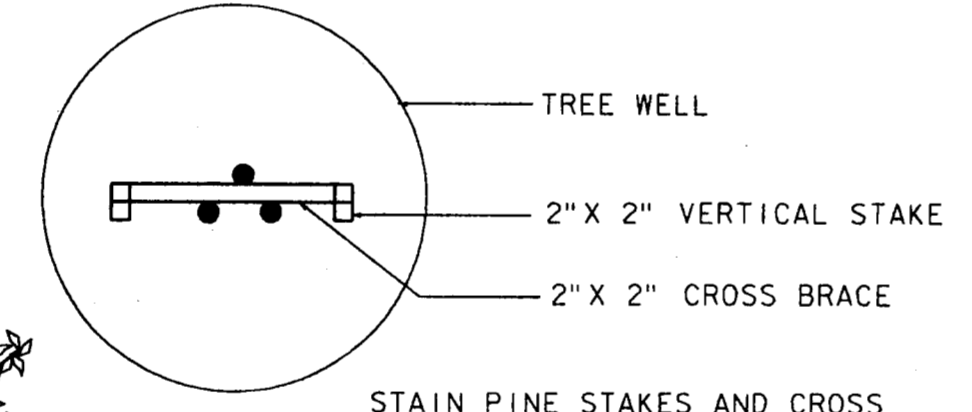
**NOTES:**

- \* TEMPORARY TREE ANCHORS AND GUY WIRES TO BE REMOVED AFTER ONE FULL GROWING SEASON.
- \* TREE CALIPER MEASURED ABOVE TOP OF ROOTBALL. 6" FOR TREES LESS THAN 4" CALIPER AND 12" FOR TREES 4" CALIPER AND GREATER.
- \* APPROXIMATELY ONE THIRD OF THE BRANCH STRUCTURE SHALL BE REMOVED BY THINNING BUT THE NATURAL CHARACTER AND GENERAL SHAPE OF THE TREE SHALL BE PRESERVED.



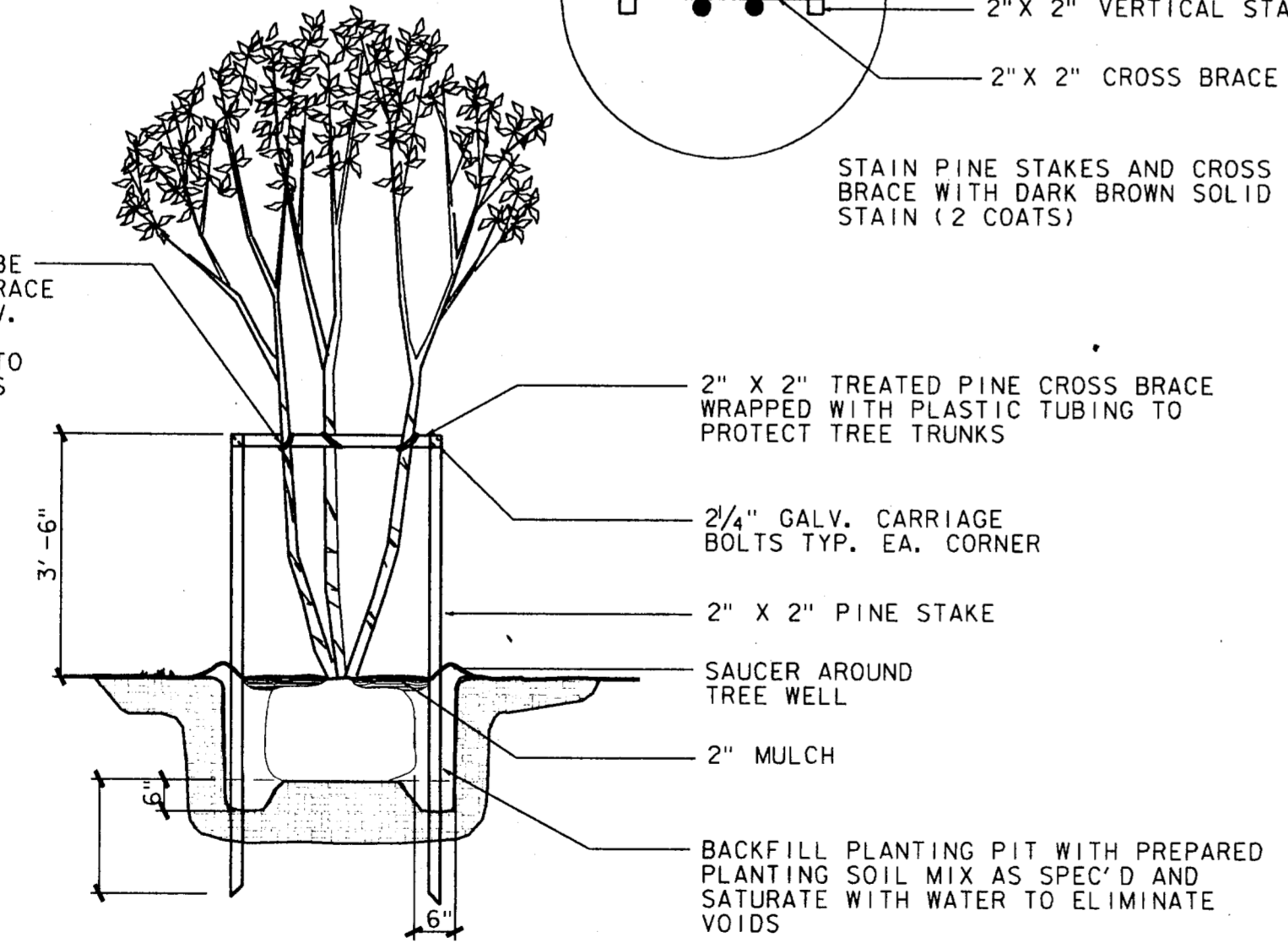
**TREE PLANTING & STAKING DETAIL**

NOT TO SCALE



STAIN PINE STAKES AND CROSS BRACE WITH DARK BROWN SOLID STAIN (2 COATS)

TREE TRUNKS SHALL BE SECURED TO CROSS BRACE USING 12 GAUGE GALV. WIRE WITH 1/2" I.D. FLEXIBLE PVC HOSE TO PROTECT TREE TRUNKS



**NOTES:**

- \* TEMPORARY TREE WELL, STAKES AND CROSS BRACE TO BE REMOVED AFTER ONE FULL GROWING SEASON.
- \* APPROXIMATELY 1/3 OF THE BRANCH STRUCTURE SHALL BE REMOVED BY THINNING, BUT THE NATURAL CHARACTER AND GENERAL SHAPE OF THE TREE SHALL BE PRESERVED.

**MULTI-TRUNK TREE PLANTING & STAKING DETAIL**

NOT TO SCALE

4			
3			
2			
1	9-4-98	AS BUILT DRAWING	J. H. L.
NO.	DATE	REVISION	APPROV.

TOWN OF ADDISON, TEXAS  
 MIDWAY/BELTLINE SANITARY SEWER  
 PHASE II  
 LIFT STATION  
 LANDSCAPE ARCHITECTURAL  
 SITE DETAILS



**Carter & Burgess**  
 Consultants in Engineering, Architecture,  
 Planning and the Environment.  
 CARTER & BURGESS, INC.  
 7950 ELMBROOK DRIVE, SUITE 250  
 DALLAS, TX 75247-4961



Unit	Scale	1"=20'	Date	04-05-96
Designed	B. Luck	Checked	J. Lindner	Job No. 93327601D
Drawn	B. Luck	Approved	J. Lindner	Sheet 61 of 63