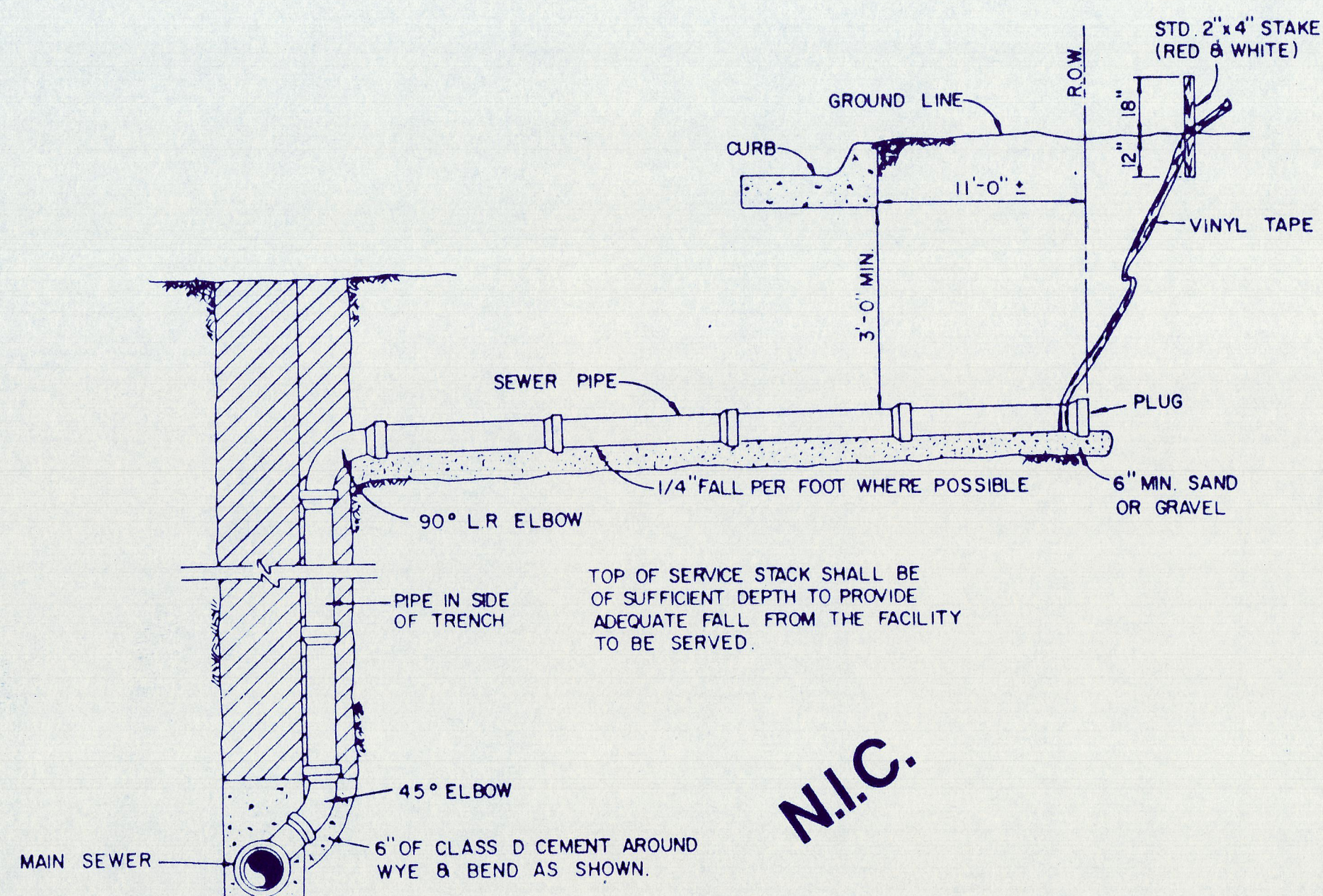
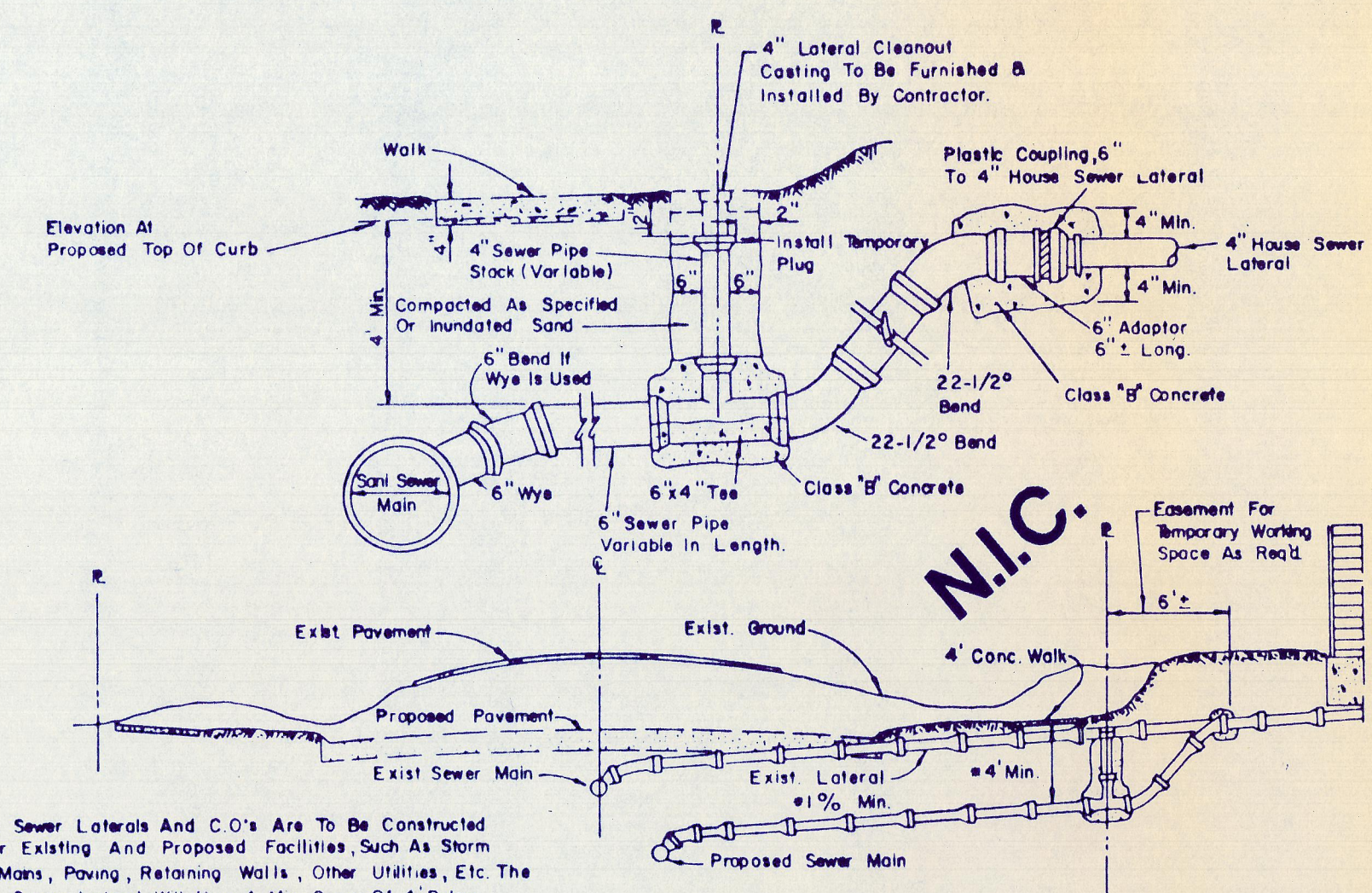


SANITARY SEWER SERVICE CONNECTION

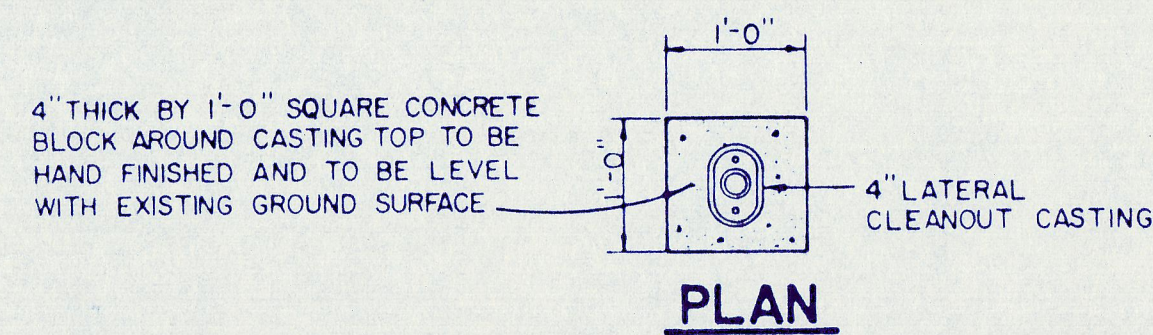


SANITARY SEWER DEEP SERVICE CONNECTION

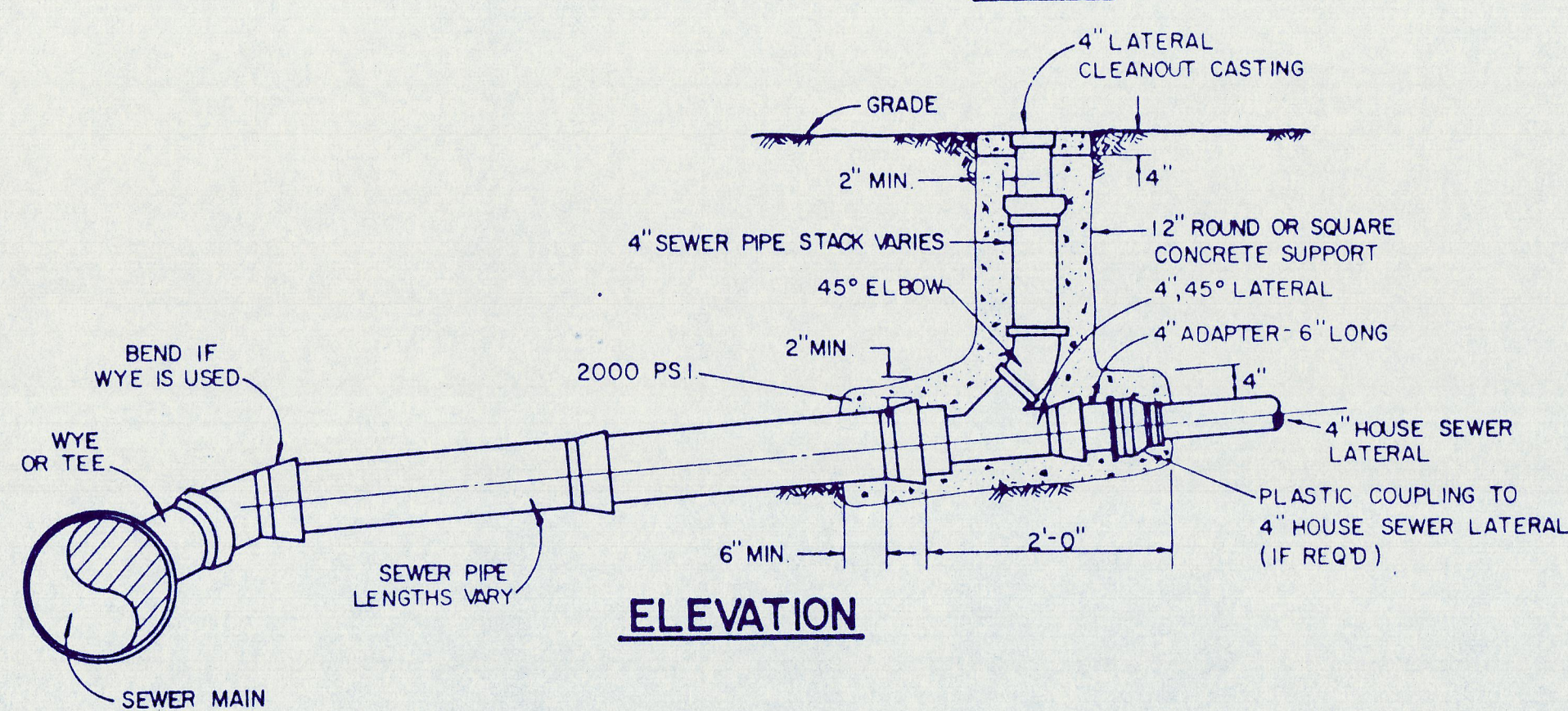


SANITARY SEWER LATERAL REPLACEMENT

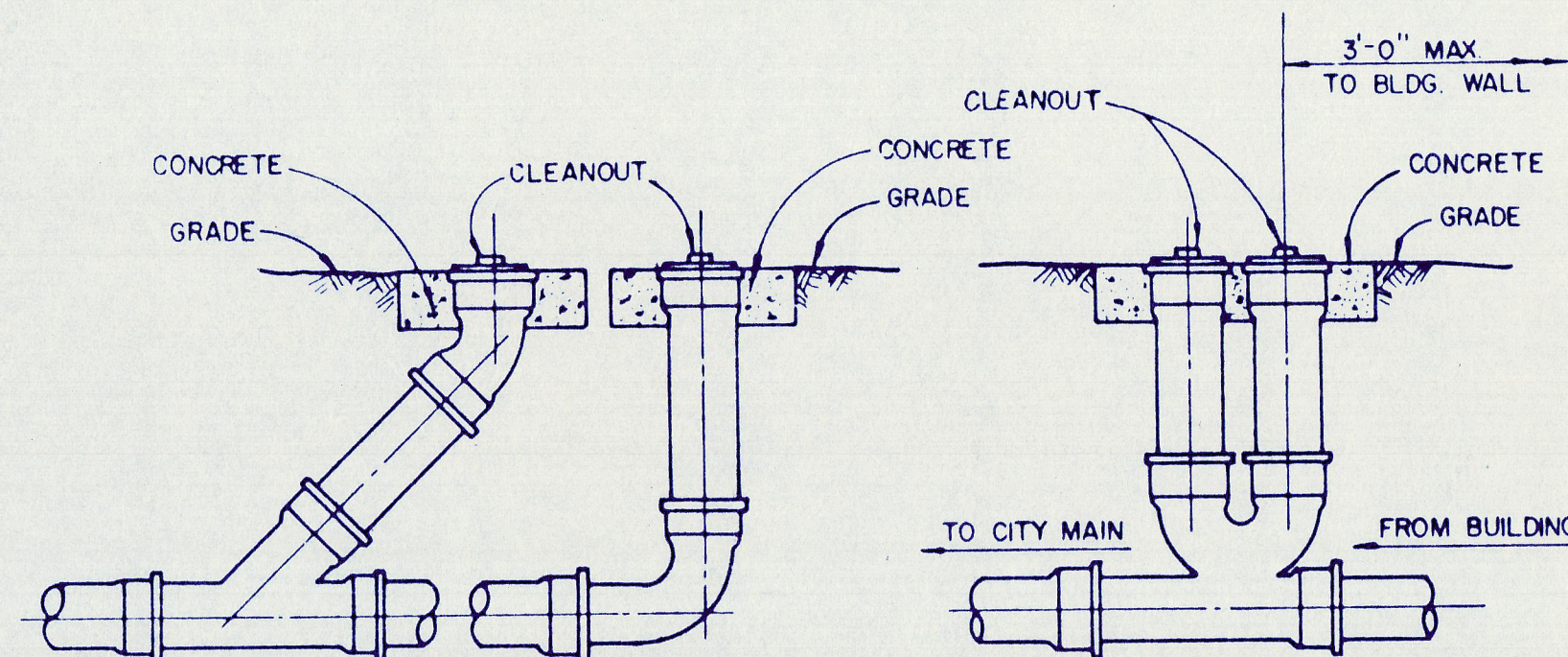
NOTE: Cleanout To Be Installed On Property Line Except As Required To Avoid Conflict With Existing Or Proposed Facilities In Which Case The Location Shall Be Determined By The Engineer.



PLAN



ELEVATION



TYPICAL CLEANOUTS

ALL PVC SANITARY SEWER PIPE TO BE SDR 35 WITH INTEGRAL BELL. IT SHALL BE THE RESPONSIBILITY OF THE CONTRACTOR TO FIELD LOCATE HORIZONTALLY EACH 4" SERVICE IN RELATION TO THE SANITARY SEWER STATIONING. FIELD TIES ARE TO BE INCLUDED AND RECORDED ON ALUMINIZED SANITARY SEWER TAPE. THIS TAPE, GREEN OR RED IN COLOR IS TO BE ATTACHED TO THE 4" SERVICE AT THE ROW LINE AND BROUGHT TO THE SURFACE TO BE USED AS A PERMANENT MARKER.

TOWN OF ADDISON, TEXAS			
DEPARTMENT OF ENGINEERING			
STANDARD CONSTRUCTION DETAILS			
SANITARY SEWER			
LATERALS AND CLEANOUTS			
Designed -	Drawn -	Date -	Job No.
Approved -	Checked -	Scale -	Sheet 17 of 19

