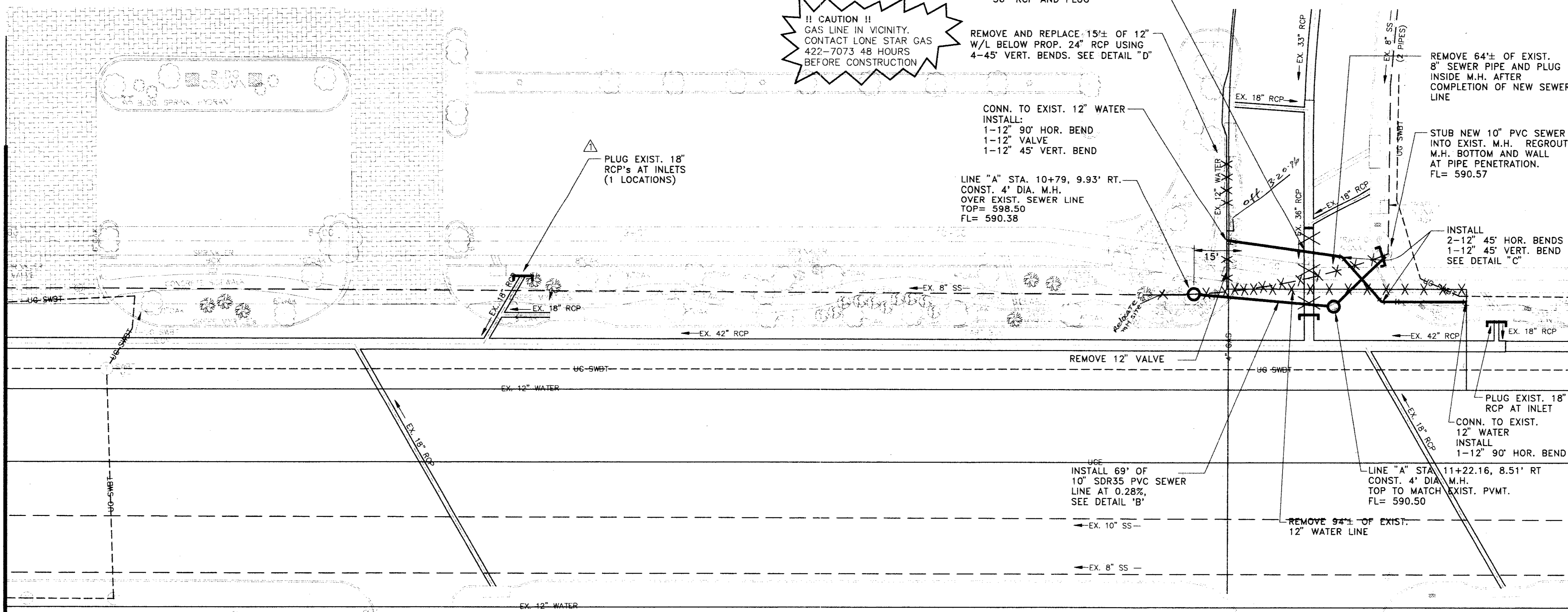
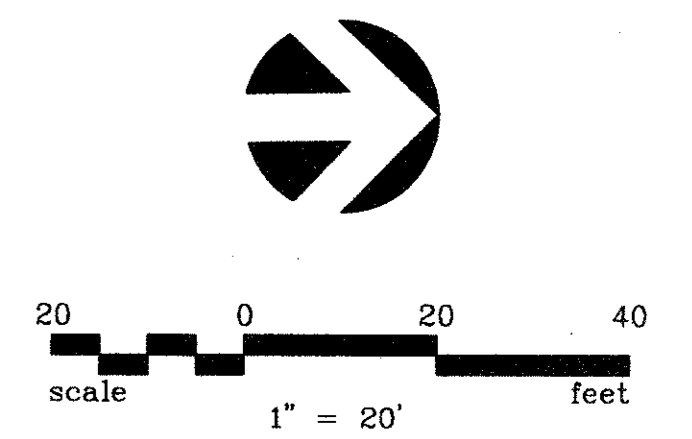


MATCH LINE STA. 7+00

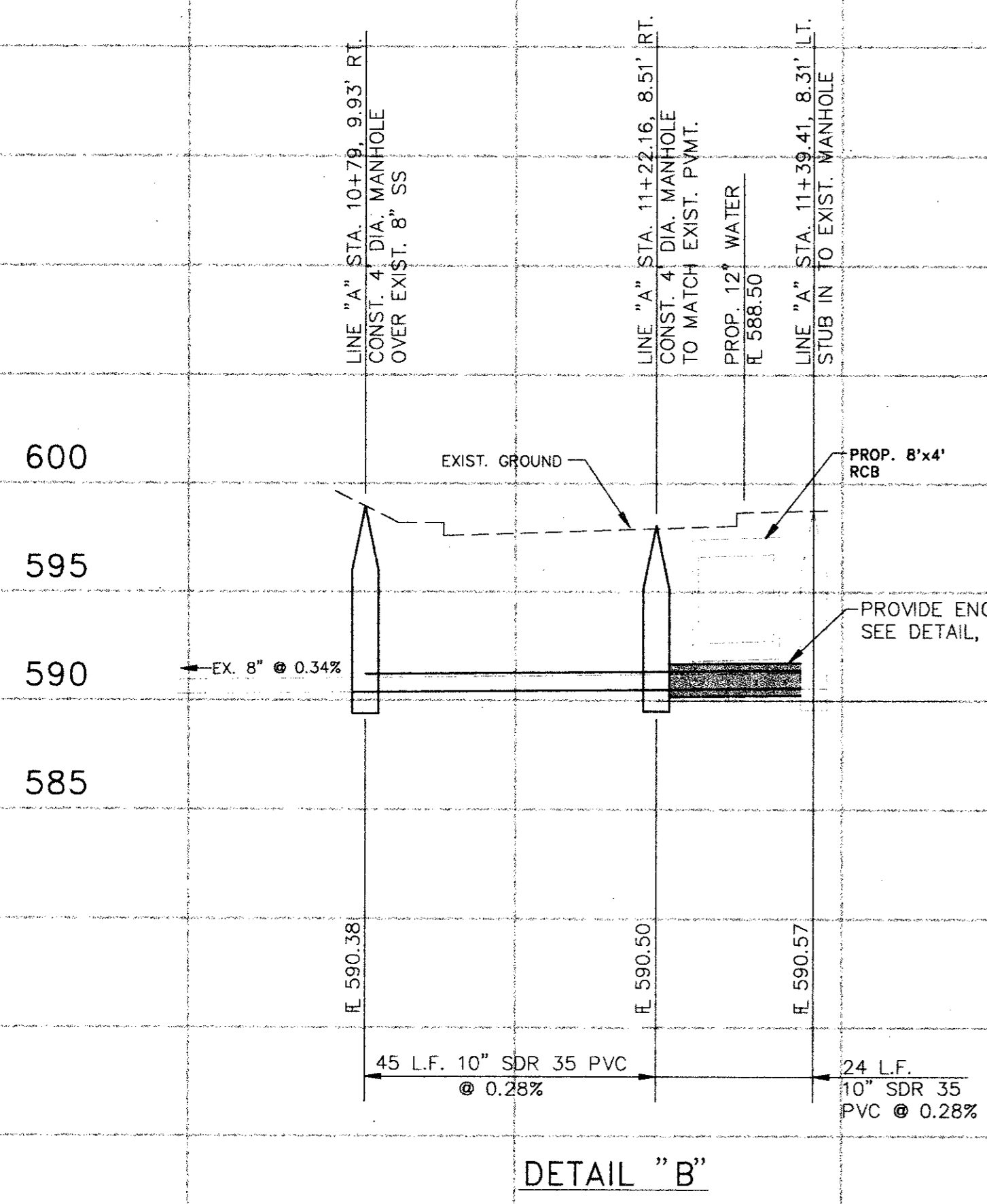


!! CAUTION !!
GAS LINE IN VICINITY.
CONTACT LONE STAR GAS
422-7073 48 HOURS
BEFORE CONSTRUCTION

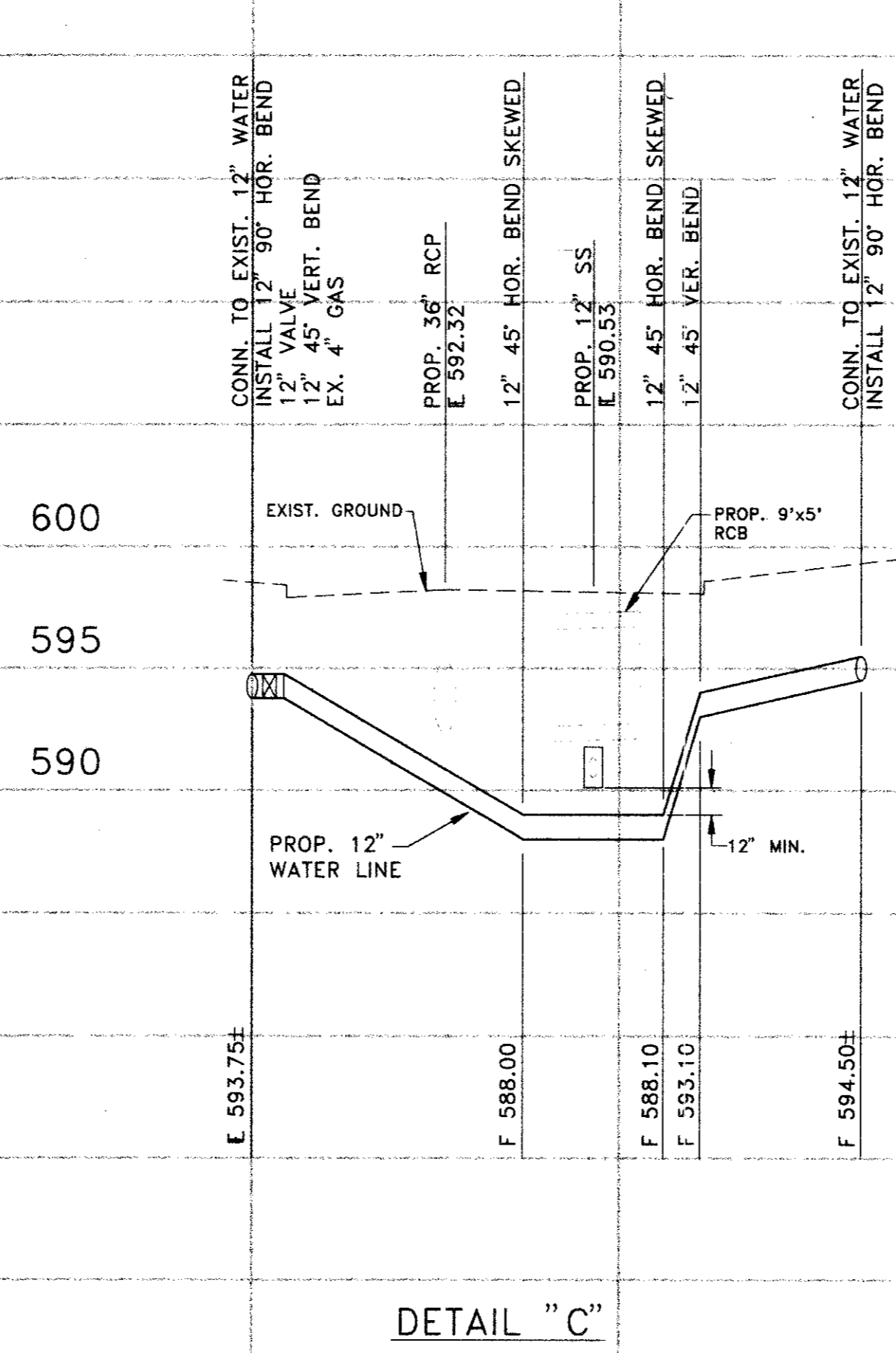


MATCH LINE STA. 12+00

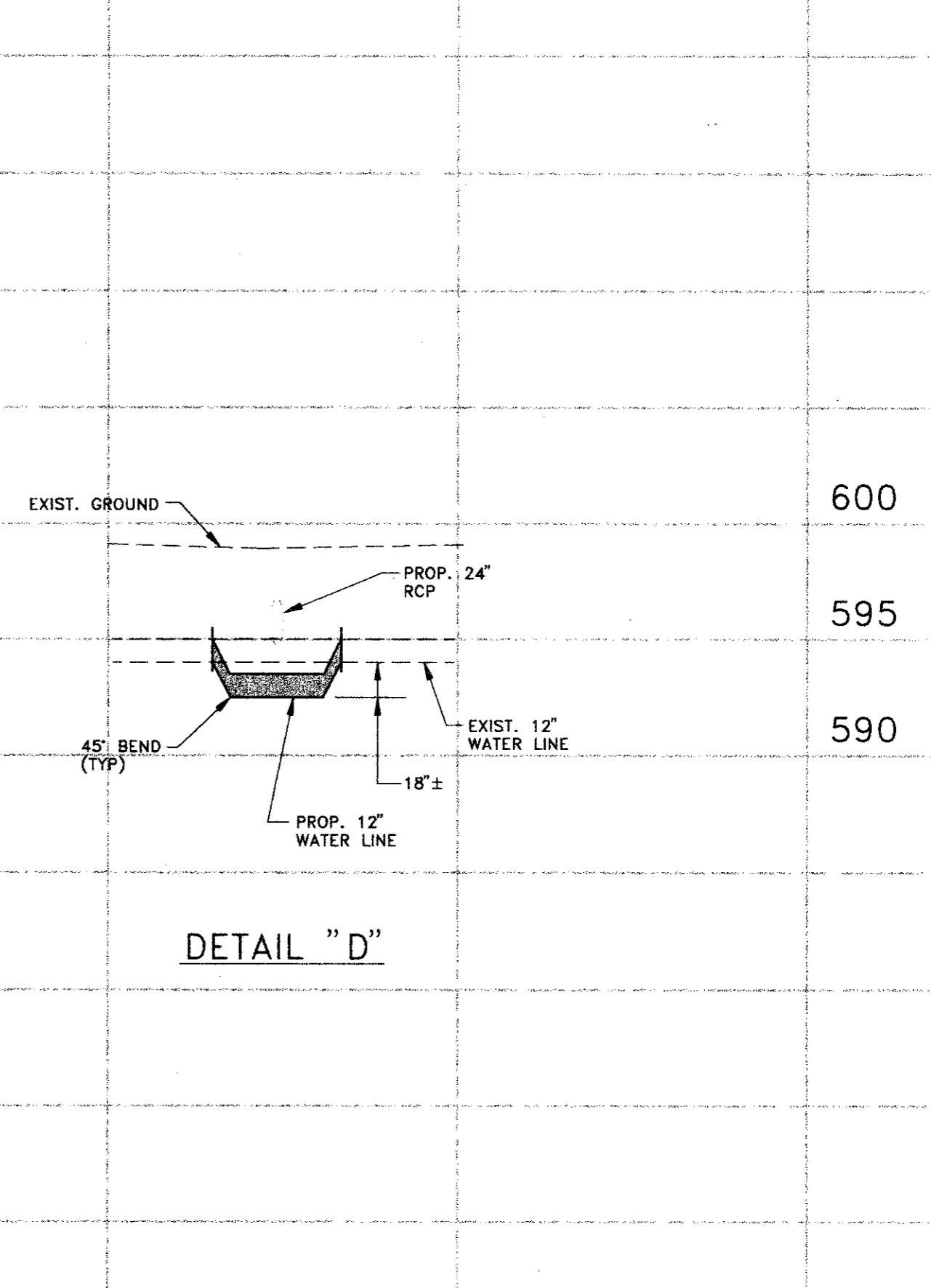
- NOTES:
- COORDINATE SHUTDOWNS OF EXISTING WATER LINES WITH TOWN OF ADDISON AND PROPERTY OWNERS.
 - REMOVAL OF ALL EXISTING FACILITIES IMPACTED BY CONSTRUCTION SHALL BE CONSIDERED INCIDENTAL TO OTHER ITEMS OF WORK UNLESS A PAY ITEM IS PROVIDED.



DETAIL "B"



DETAIL "C"



DETAIL "D"

ADDENDUM NO. 1	BRG	8-3-95
DESIGNED BY: J. WALDBAUER		
DRAWN BY: EH&A		
CHECKED BY: B. GRANTHAM		
SCALE: 1" = 20'		
DATE: JULY, 1995		
FILE: MIDWAYMIDUC02		
NO.	REVISION	BY DATE

DESIGNED BY: J. WALDBAUER
 DRAWN BY: EH&A
 CHECKED BY: B. GRANTHAM
 SCALE: 1" = 20'
 DATE: JULY, 1995
 FILE: MIDWAYMIDUC02

EH&A Espey, Huston & Associates, Inc.
 Engineering & Environmental Consultants
 13800 Montfort Drive, Suite 230
 Dallas, Texas 75240 (214) 387-0771

UTILITY COMPOSITE
 STA. 7+00 TO STA. 12+00
 MIDWAY ROAD DRAINAGE IMPROVEMENTS
 FROM GREENHILL DRIVE TO TU RIGHT-OF-WAY
 for
 THE TOWN OF ADDISON

SHEET NO. 6
 OF 20 SHEETS
 JOB NO. 16285