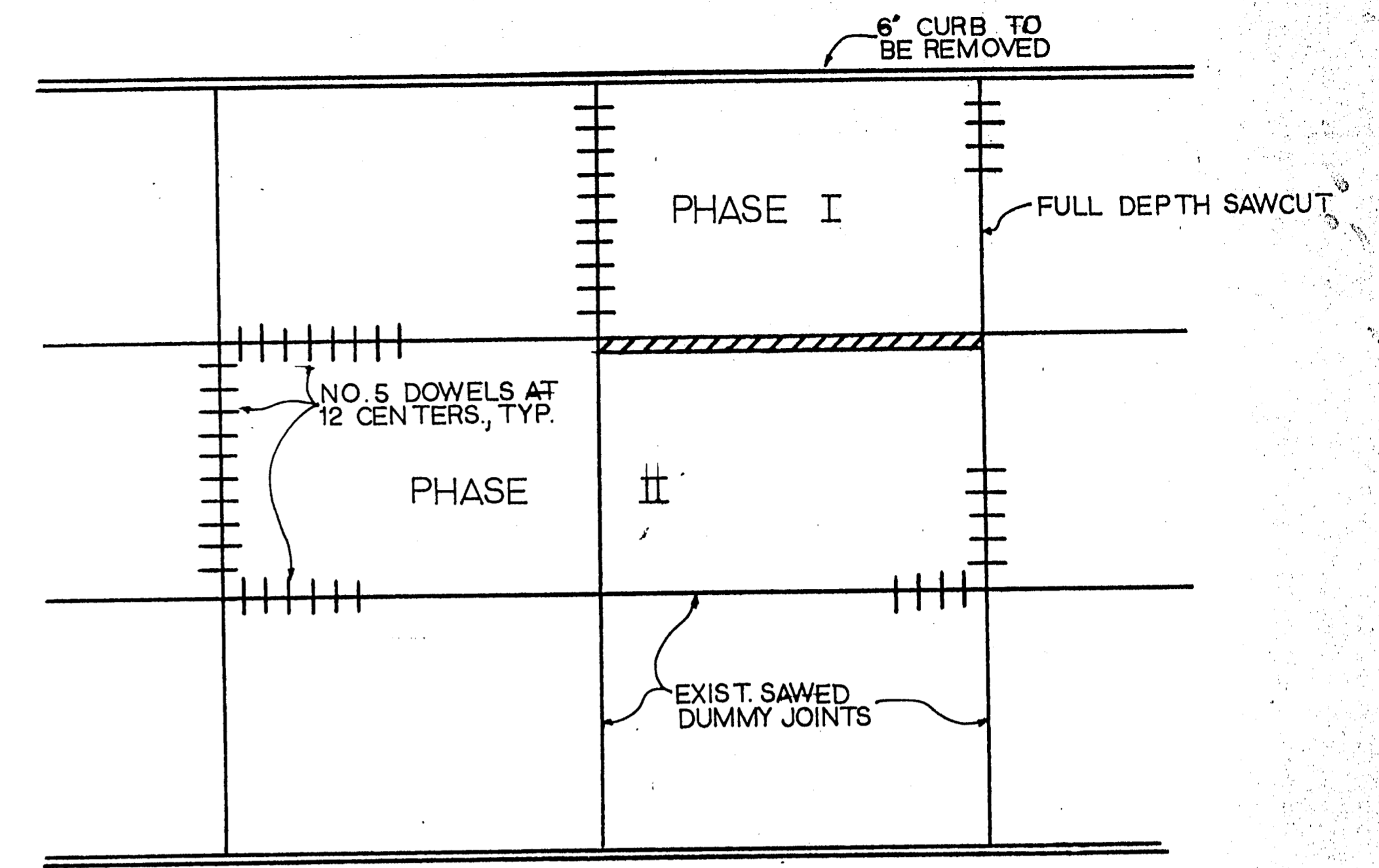
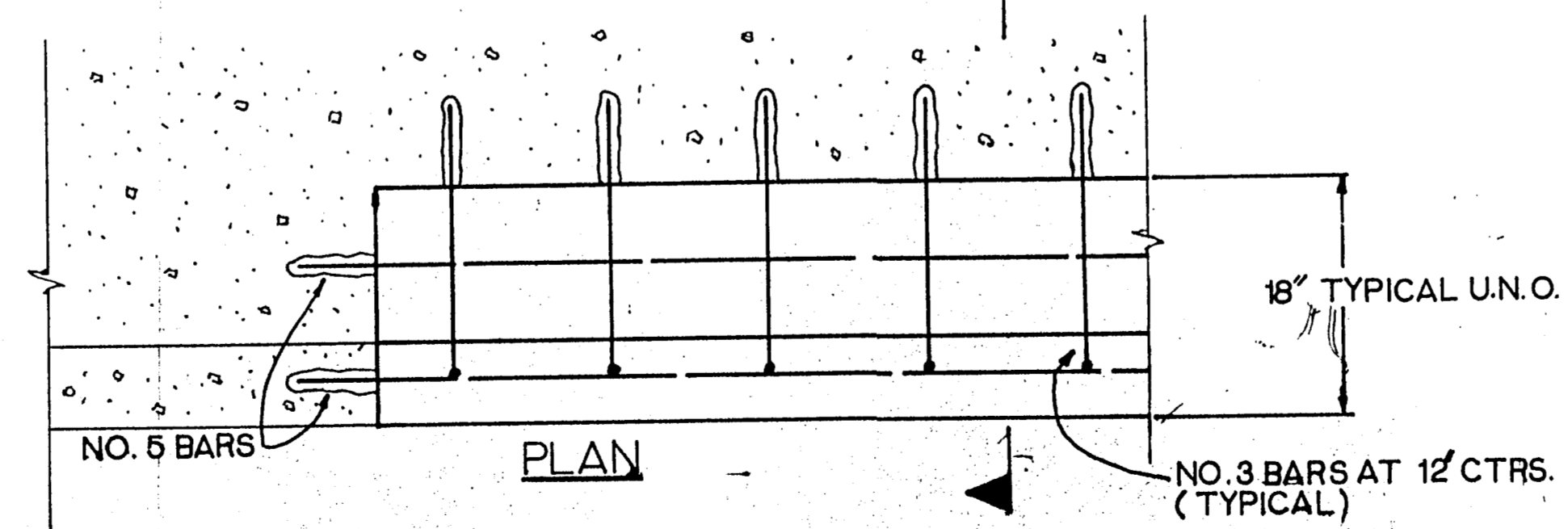
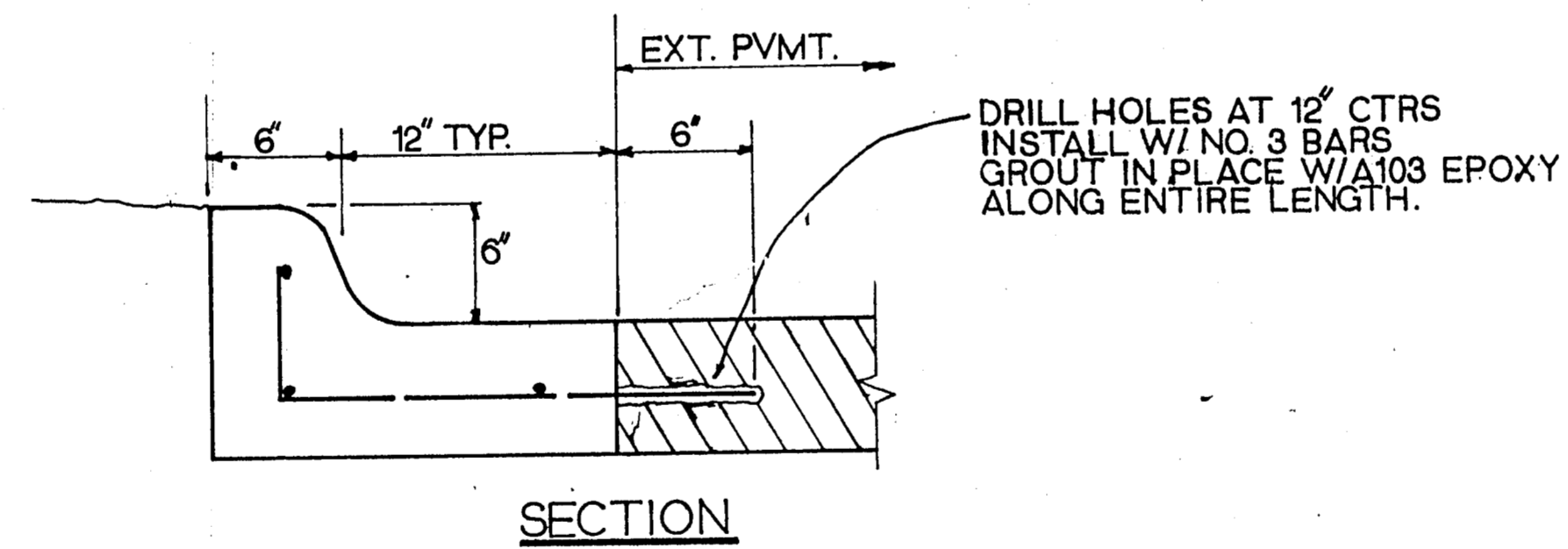


TRANSVERSAL EXPANSION JOINT REPLACEMENT

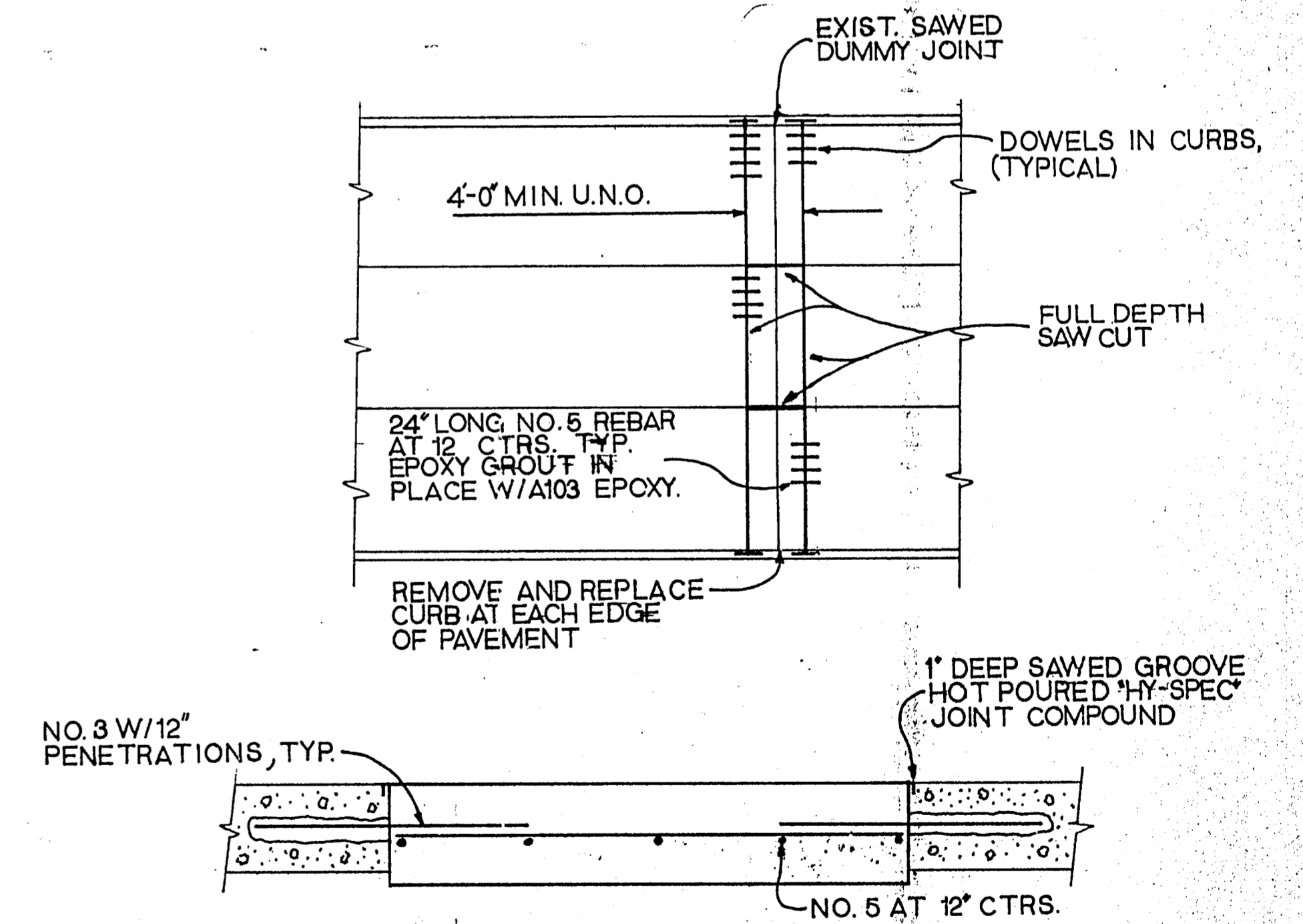
NOTE:
 WHEN TRANSVERSE EXPANSION JOINT OCCURS AT ONLY ONE LANE OR TWO LANES (REF PLANS) REPLACE REDWOOD HEADER AT SAME LOCATION AS EXISTING. TO MATCH EXIST. LOCATION OF REDWOOD, NO OFFSETS IN EXIST. AND NEW REDWOOD HEADERS SHALL BE ALLOWED.



TYPICAL PAVEMENT REMOVAL DETAIL
 N.T.S.



CURB CONNECTION DETAIL
 N.T.S.



TRANSVERSE SAWED JOINT REPLACEMENT
 N.T.S.

DATE:
SCALE: 1" = 20'
SHEET NO.