

MEDIAN DIMENSION CHART

B	C	D	E	F	G	H	I	J	K	L	M	N
12	4.00'S	3.80'S	3.20'S	2.19'S	0.78'S	1.00'N	2.78'N	4.19'N	5.20'N	5.80'N	22.56'	1.00'
13	3.50'S	3.30'S	2.70'S	1.69'S	0.28'S	1.50'N	3.28'N	4.69'N	5.70'N	6.30'N	23.56'	1.00'
14	3.00'S	2.80'S	2.20'S	1.19'S	0.22'N	2.00'N	3.78'N	5.19'N	6.20'N	6.80'N	22.68'	2.50'
15	2.50'S	2.30'S	1.70'S	0.69'S	0.72'N	2.50'N	4.28'N	5.69'N	6.70'N	7.30'N	23.71'	2.50'
16	2.00'S	1.80'S	1.20'S	0.19'S	1.22'N	3.00'N	4.78'N	6.19'N	7.20'N	7.80'N	23.46'	3.50'
17	1.50'S	1.30'S	0.70'S	0.31'N	1.72'N	3.50'N	5.28'N	6.69'N	7.70'N	8.30'N	24.48'	3.50'
18	1.00'S	0.80'S	0.20'S	0.81'N	2.22'N	4.00'N	5.78'N	7.19'N	8.20'N	8.80'N	25.44'	3.50'
19	0.50'S	0.30'S	0.30'S	1.31'N	2.72'N	4.50'N	6.28'N	7.69'N	8.70'N	9.30'N	26.34'	3.50'
20	0.00'	0.20'S	0.80'N	1.81'N	3.22'N	5.00'N	6.78'N	8.19'N	9.20'N	9.80'N	26.72'	4.00'
21	0.50'N	0.70'N	1.30'N	2.31'N	3.72'N	5.50'N	7.28'N	8.69'N	9.70'N	10.30'N	27.57'	4.00'
22	1.00'N	1.20'N	1.80'N	2.81'N	4.22'N	6.00'N	7.78'N	9.19'N	10.20'N	10.80'N	28.39'	4.00'
23	1.50'N	1.70'N	2.30'N	3.31'N	4.72'N	6.50'N	8.28'N	9.69'N	10.70'N	11.30'N	29.17'	4.00'
24	2.00'N	2.30'N	2.80'N	3.81'N	5.22'N	7.00'N	8.78'N	10.19'N	11.20'N	11.80'N	29.92'	4.00'

N = NORTH OF CENTERLINE
S = SOUTH OF CENTERLINE

CURVE DATA C3 & C4 FOR 7' A=14'

A	Δ	R	T	L	M	N
7	18°22'52"	50'	8.09'	16.04'	16.45'	1.00'
8	20°09'11"		8.89'	17.59'	17.88'	1.00'
9	21°47'12"		9.62'	19.01'	19.19'	1.00'
10	23°18'41"		10.31'	20.34'	20.39'	1.00'
11	24°44'50"		10.97'	21.60'	21.51'	1.00'
12	26°06'32"		11.59'	22.78'	22.56'	1.00'
13	27°24'27"		12.19'	23.92'	23.56'	1.00'
14	28°08'28"		12.77'	25.04'	24.68'	2.50'

CURVE DATA C2
Δ = 11°28'40"
R = 250'
T = 25.13'
L = 50.08'

CURVE DATA C3 & C4 FOR 12' B=24'

B	Δ	R	T	L
12	26°06'32"	50.00'	11.59'	22.78'
13	27°24'27"		12.19'	23.92'
14	28°08'28"		12.77'	25.04'
15	28°31'32"		13.33'	26.13'
16	28°45'53"		13.87'	27.18'
17	28°48'51"		14.39'	28.20'
18	28°08'58"		14.89'	29.19'
19	27°25'43"		15.37'	30.15'
20	26°35'30"		15.83'	31.08'
21	30°49'46"		16.27'	31.98'
22	32°01'26"		16.69'	32.85'
23	33°10'48"		17.09'	33.68'
24	34°18'05"		17.47'	34.47'

CURVE DATA C5 FOR 12' B=24'

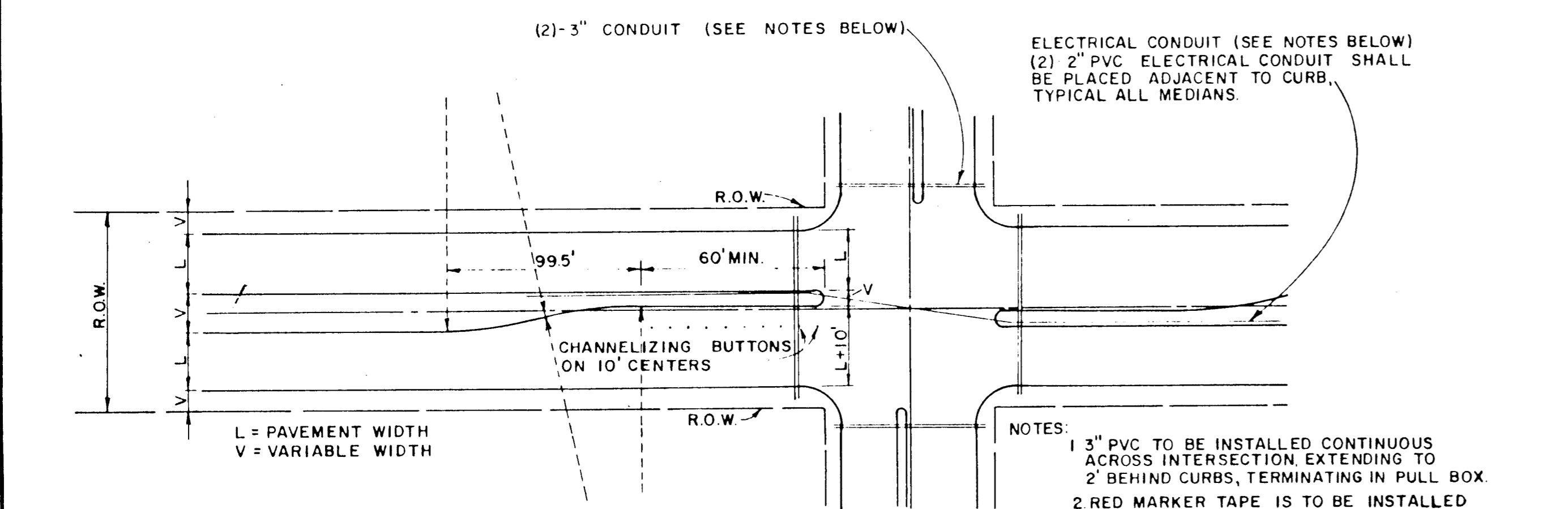
B	Δ	R	T	L
12	127°47'32"	100'	2.04'	2.23'
13	125°42'46"	100'	1.93'	2.19'
14	123°43'08"	2.50'	5.33'	5.66'
15	126°57'31"	2.50'	5.01'	5.54'
16	129°09'33"	3.50'	7.36'	7.89'
17	126°21'44"	3.50'	6.92'	7.72'
18	123°41'38"	3.50'	6.54'	7.56'
19	120°52'03"	3.50'	6.17'	7.38'
20	120°48'56"	4.00'	7.04'	8.43'
21	118°21'08"	4.00'	6.70'	8.26'
22	115°57'07"	4.00'	6.40'	8.10'
23	113°38'22"	4.00'	6.12'	7.93'
24	111°23'48"	4.00'	5.86'	7.78'

CURVE DATA C5 FOR 7' A=14'

A	Δ	R	T	L
7	143°14'15"	100'	3.01'	2.50'
8	139°41'38"	100'	2.72'	2.44'
9	136°25'35"	100'	2.50'	2.38'
10	133°22'38"	100'	2.32'	2.33'
11	130°30'20"	100'	2.17'	2.28'
12	127°47'32"	100'	2.04'	2.23'
13	125°12'46"	100'	1.93'	2.19'
14	123°43'08"	2.50'	5.33'	5.66'

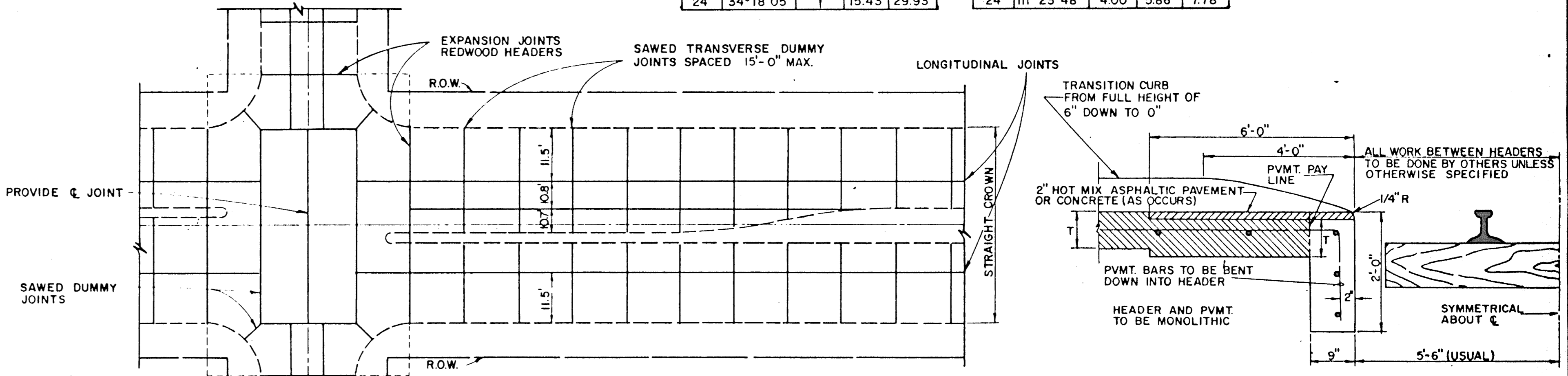
LEFT TURN LANE
(AS APPLICABLE)

NOTES: 1) FOR 2' A=7' USE TYPE II NOSE
2) FOR 7' A=14' USE TYPE I NOSE
3) FOR 12' B=24' USE TYPE I NOSE

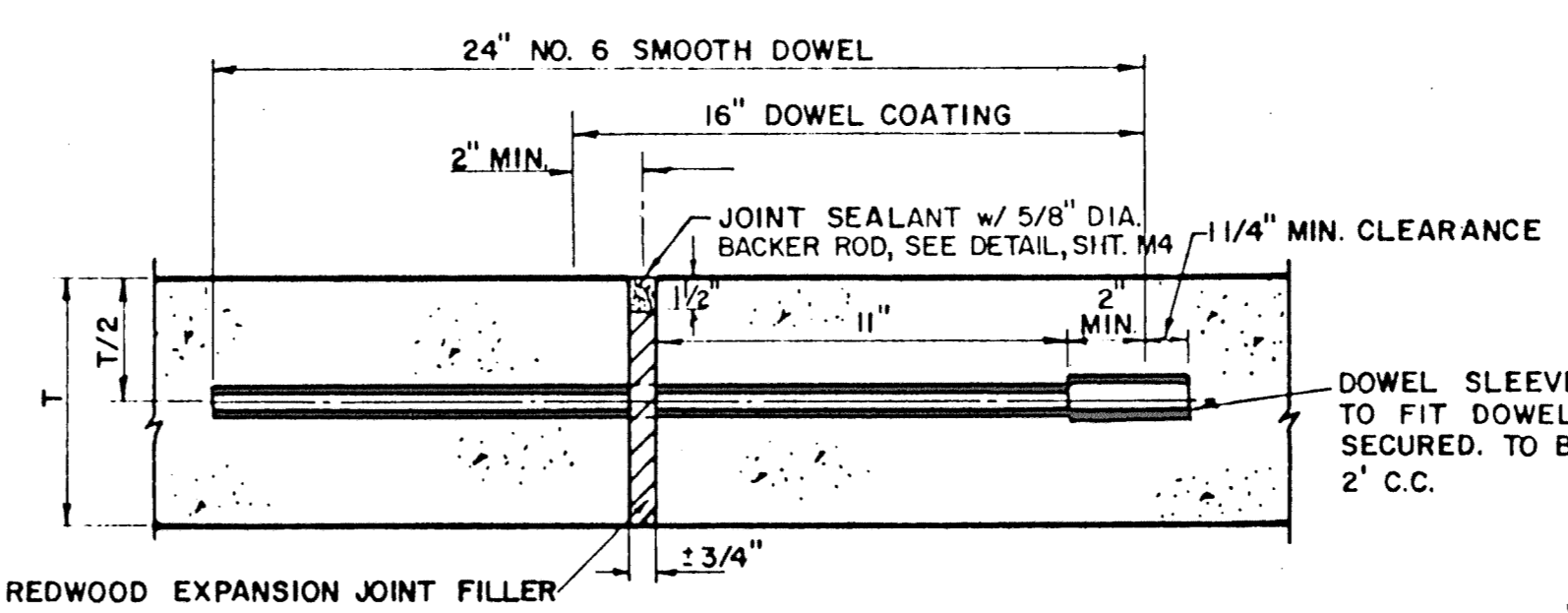


CONDUIT

FOR EXACT LOCATIONS, THIS PROJECT-SEE PLANS

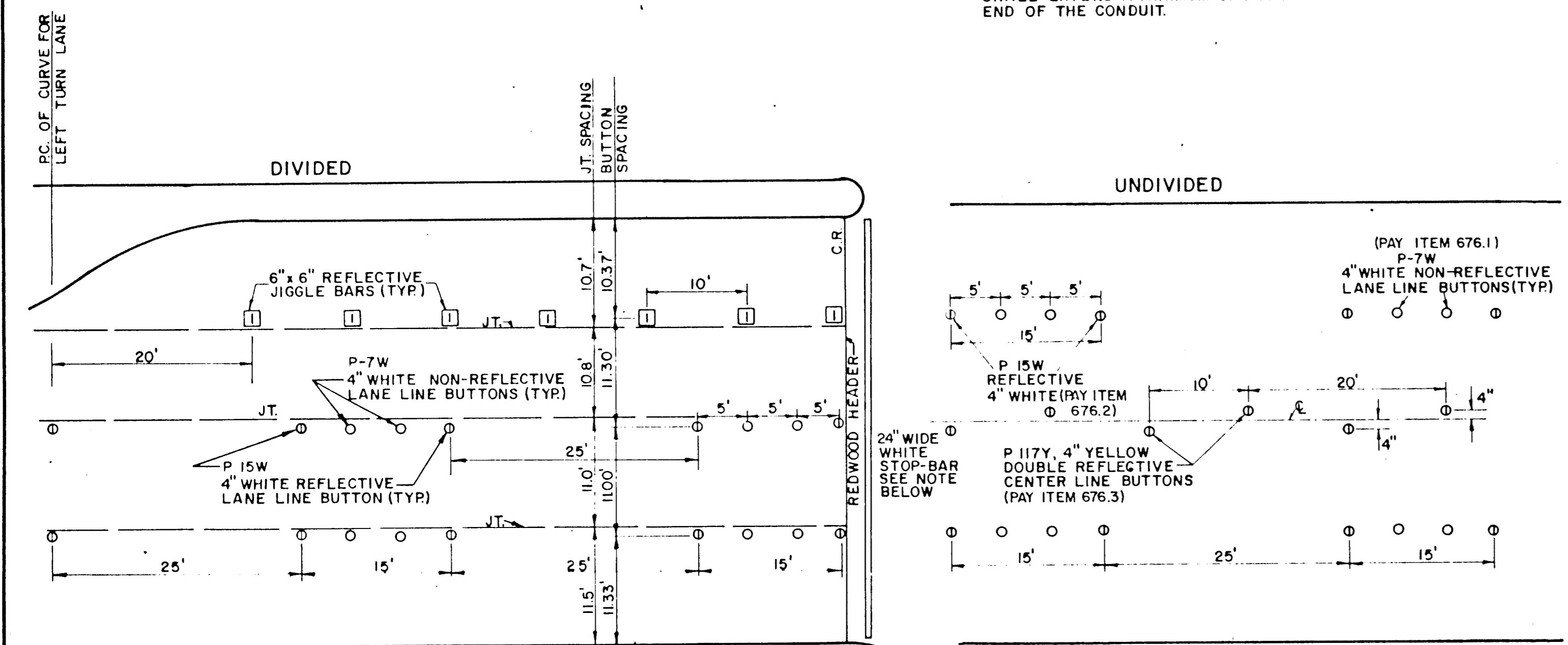


SPACING DIAGRAM FOR TRANSVERSE JOINTS

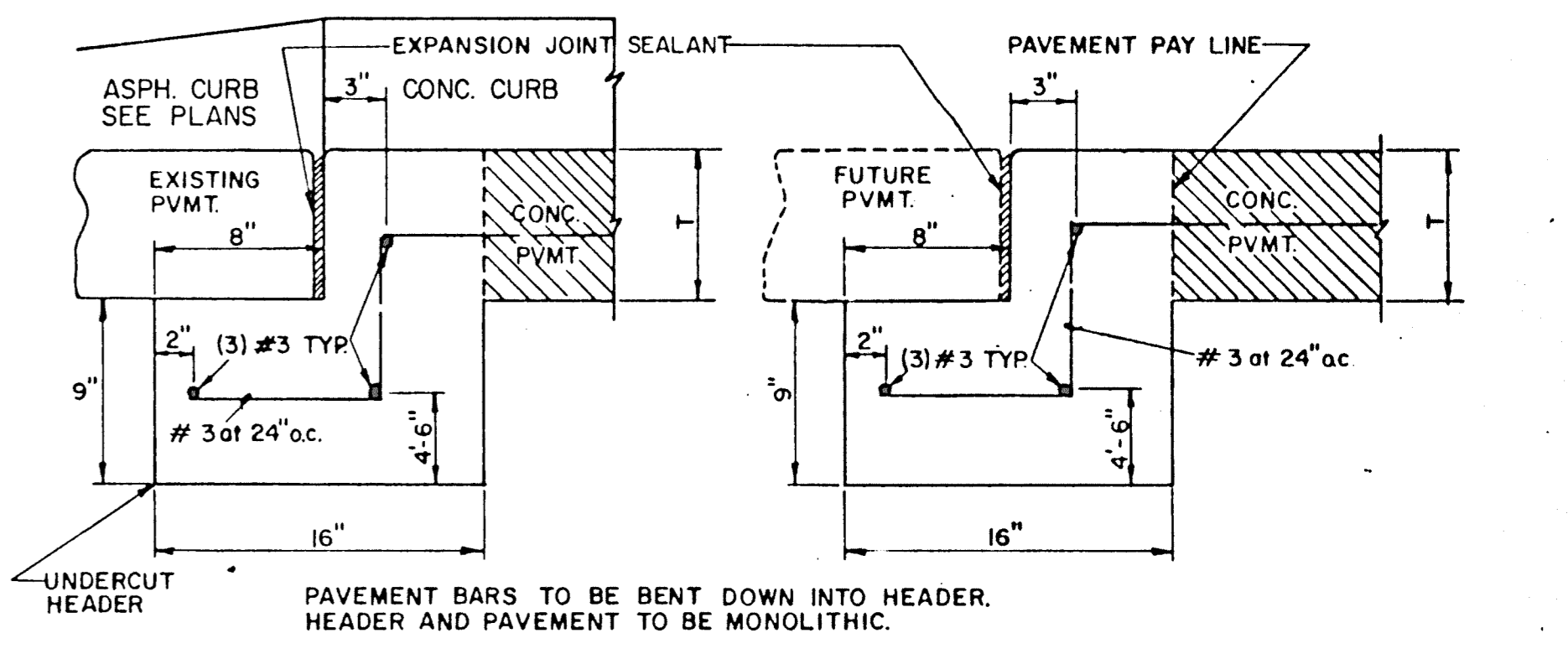


TRANSVERSE EXPANSION JOINT
(SPACED 600 FT. MAXIMUM; LOCATE AT INTERSECTIONS)

NOTE: DOWELS AND REINFORCING BARS SHALL BE SUPPORTED BY AN APPROVED DEVICE.

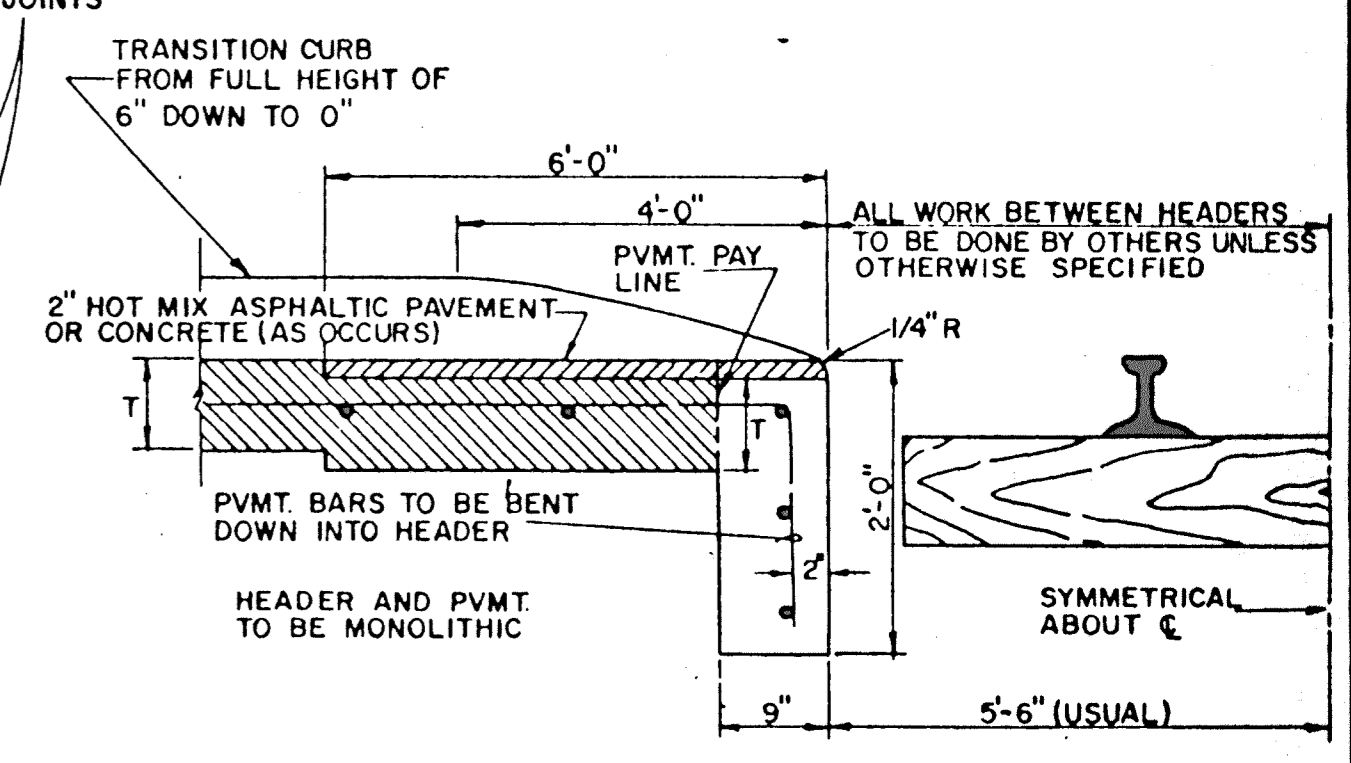


BUTTON DETAILS



STREET HEADER

RAIL HEADER



TOWN OF ADDISON, TEXAS
DEPARTMENT OF ENGINEERING

STANDARD CONSTRUCTION DETAILS
PAVING

TURN LANES & JOINTS

Designed -	Drawn -	Date - AUGUST, 1991	Job No. -
Approved -	Checked -	Scale -	Sheet 4 of 13