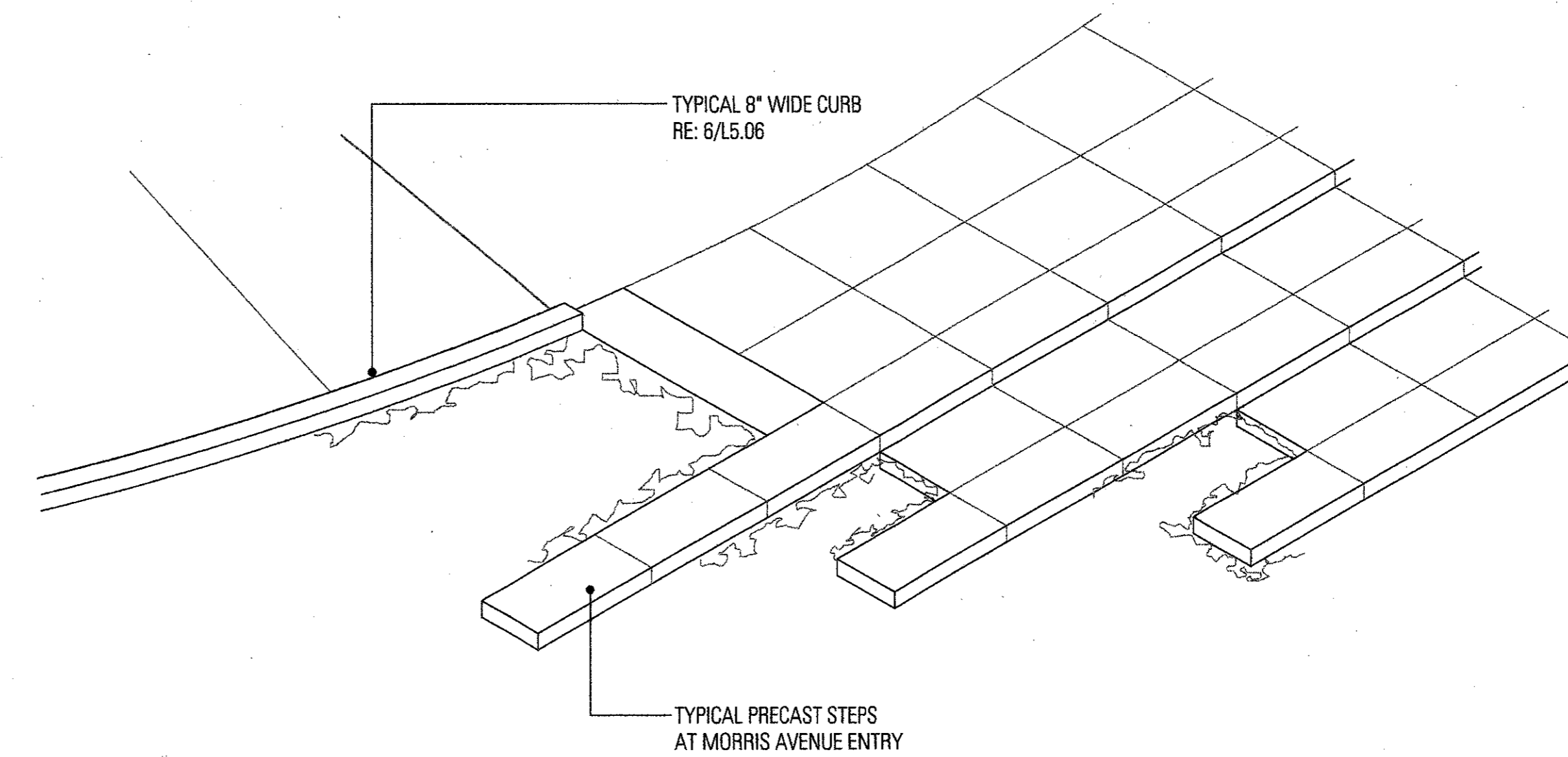


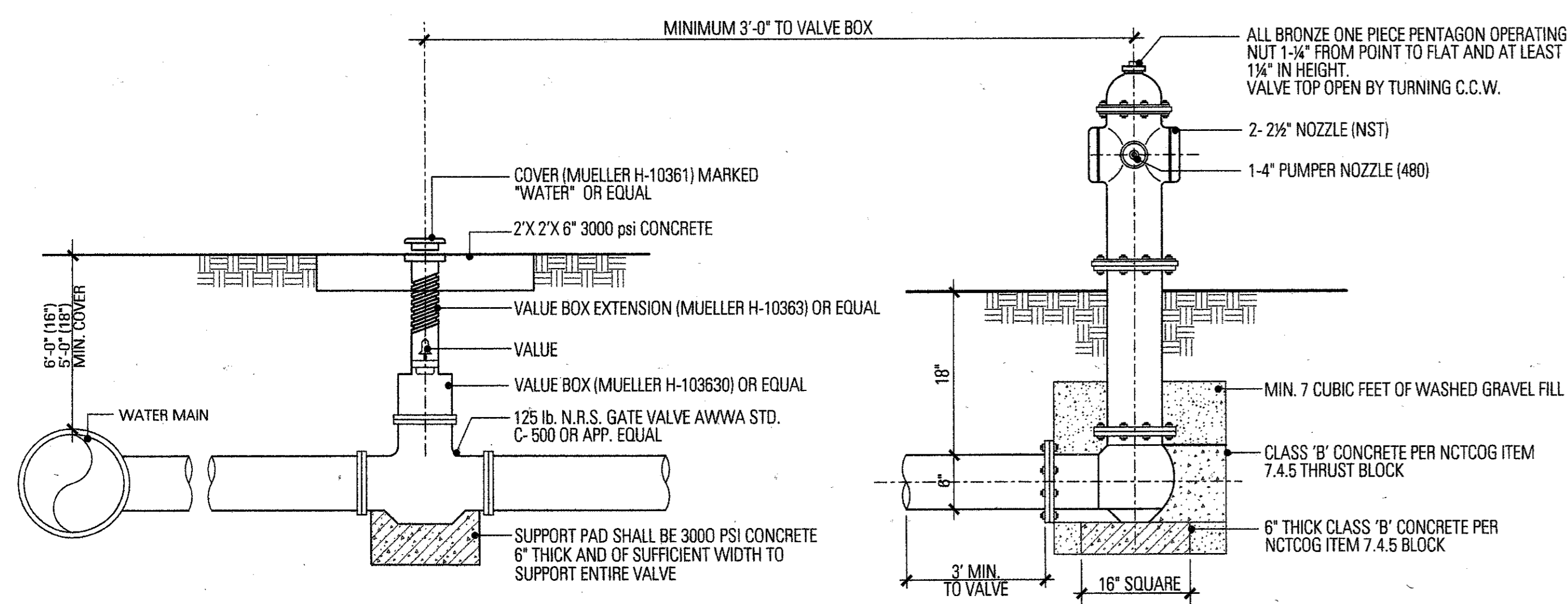
**4A ISOMETRIC- END DETAIL FOR 8" WIDE CURB**

SCALE: 1/4"=1'-0"



**4B ISOMETRIC- END DETAIL FOR 8" WIDE CURB**

SCALE: 1/4"=1'-0"



**GATE VALVES AND VALVE BOXES**

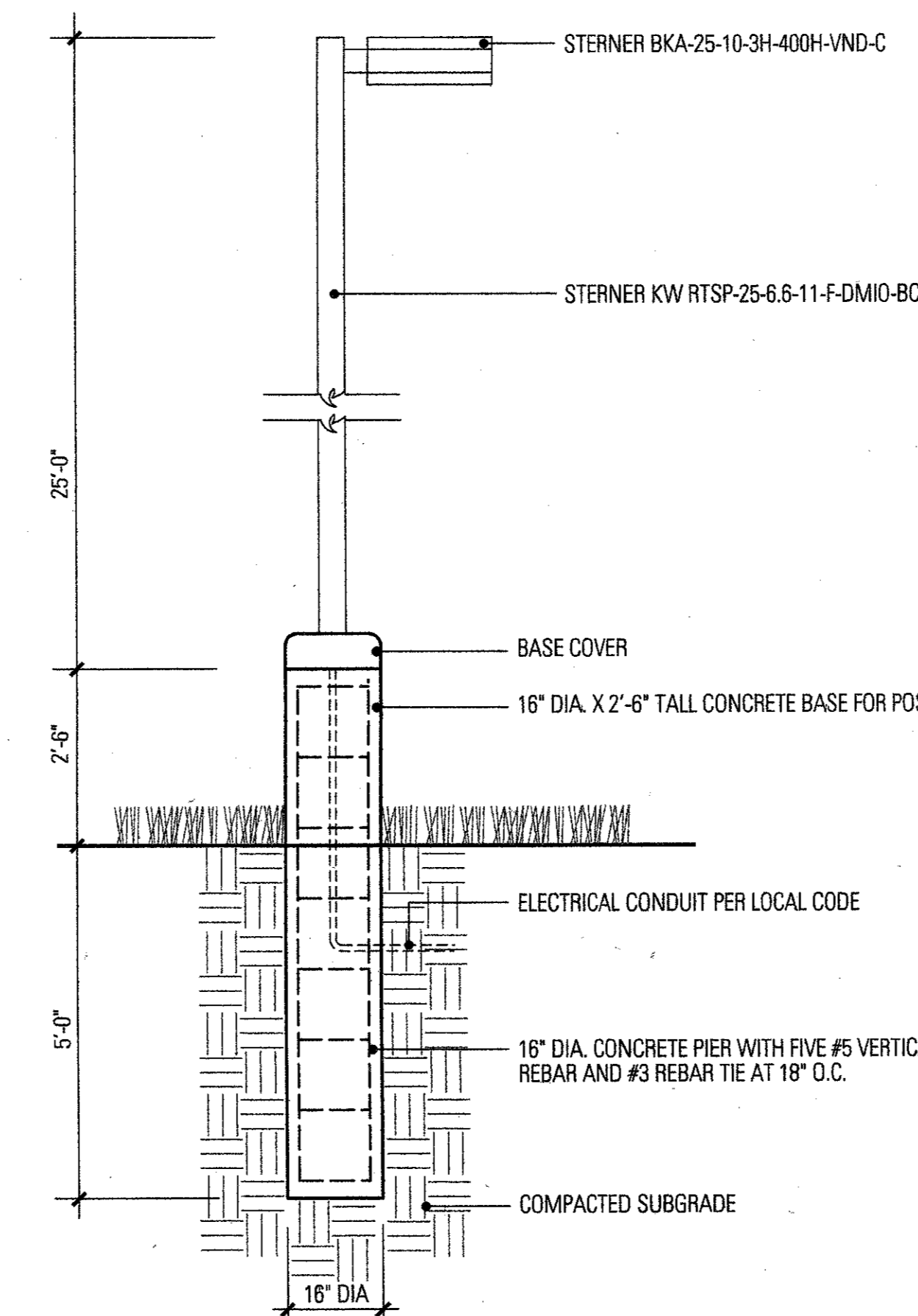
1. GATE VALVES SHALL BE IRON BODY, BRONZE OR BRASS MOUNTED, NON-RISING STEM, RESILIENT WEDGE VALVES SHALL BE OF EQUAL OR GREATER PRESSURE CLASS THAN THE PIPING IN WHICH THEY ARE TO BE INSTALLED. SEE SPEC. GV-95-1

2. VALVE BOXES SHALL BE CAST IRON AND SHALL BE OF SUFFICIENT LENGTH AND DIAMETER TO OPERATE ALL VALVES BURIED IN THE GROUND. COVERS SHALL BE MARKED "WATER". THE BOXES SHALL REST ON THE VALVE AND BE ADJUSTED SO THAT THE COVER MAY SET FLUSH WITH THE FINISHED GRADE.

FIRE HYDRANT TO BE "MUELLER" TRAFFIC MODEL W/6" MECHANICAL JOINT CONNECTION OR APPROVED EQUAL W/5/8" VALVE OPENING W/ BARREL APPROXIMATELY 7" INSIDE DIAMETER. HYDRANT BODY SHALL BE PRIMER ONLY. TOWN OF ADDISON WILL PAINT BONNET TO FLANGE AND NOZZLE CAPS SHALL BE PAINTED BY COLOR CODE FOR MAIN SIZE ACCORDING TO CITY STANDARDS. ALL HYDRANTS SHALL BE EQUIPPED WITH A BREAKAWAY FLANGE AND SHALL BE NO CLOSER THAN 3' TO ANY SURFACE OBSTRUCTION. (150 PSI WORKING PRESSURE- AWWA STD. C-502-73 OR LATEST REVISION) USE "MUELLER SUPER CENTURION"

**GENERAL NOTES:**

1. 6" OF F.H. BARREL SHALL BE NOT LESS THAN 6.0' OR MORE THAN 9.0' FROM BACK OF CURB OR EDGE OF DRIVING LANE
2. DONOT SET F.H. IN AN EXISTING OR PROPOSED SIDEWALK, UNLESS OTHERWISE NOTED
3. ALL F.H. TEES SHALL BE M.J. WITH ANCHORING ON THE BRANCH WITH M.J., M.H. 6" VALVE.
4. SET F.H. ON THE LOT LINE EXTENDED WHEN POSSIBLE.
5. SEE SPECIFICATION FH-95-1 FOR ADDITIONAL REQUIREMENTS.

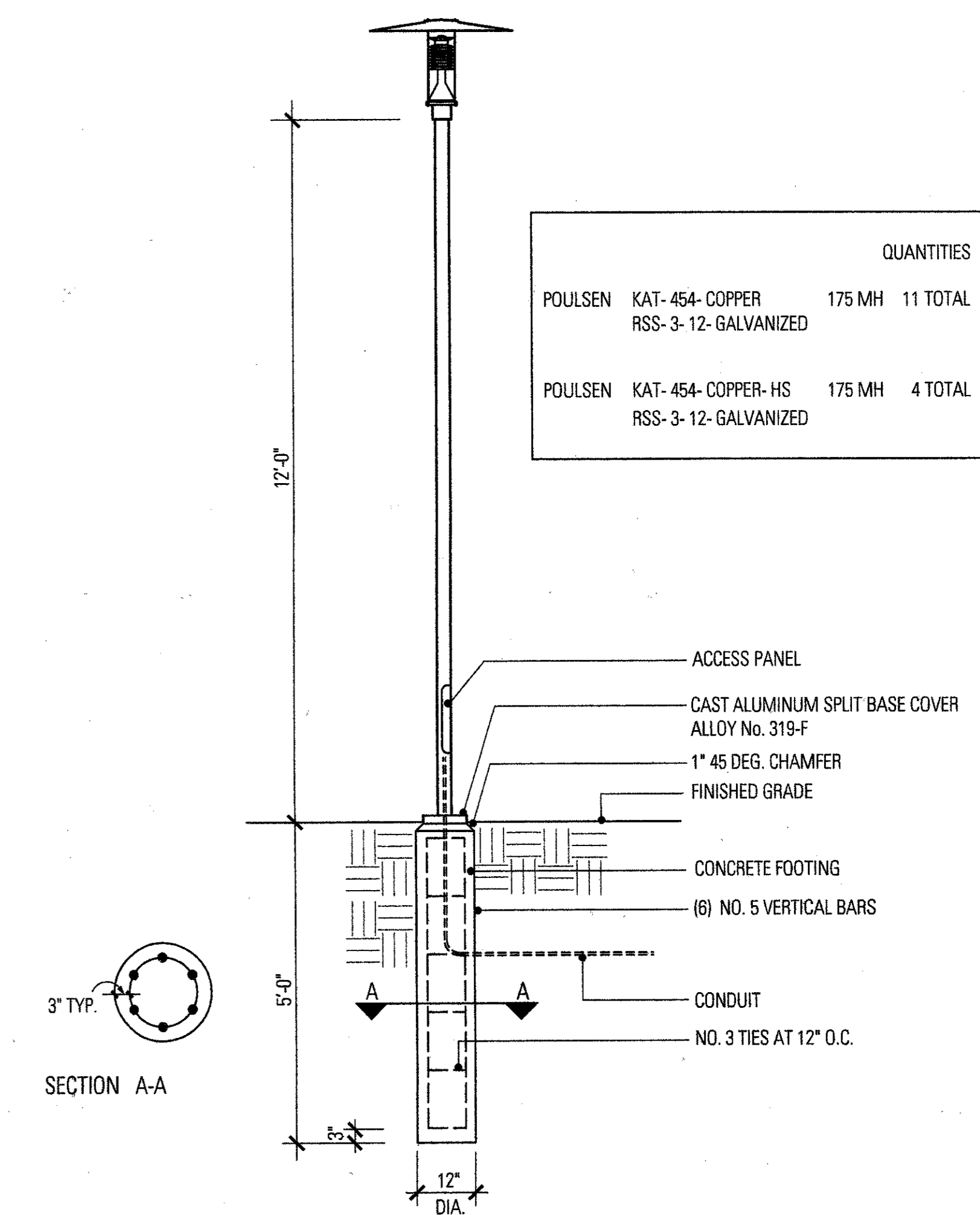


**SPECIFICATIONS**

SERIES CODE	LUMINAIRE MOUNTING	LUMINAIRE SIZE	DIFFUSER CODE	LUMINAIRE ARRANGEMENT	REFLECTOR OPTIONS	LUMINAIRE OPTIONS	LAMP WATTAGE	LAMP TYPE	PRIMARY VOLTAGE	LUMINAIRE FINISH	POLE OR BRACKET OPTIONS	POLE FINISH	POLE OPTIONS
BK	A	25		10	3H		400WT	H		E (BLACK)	RTSP-25-6.6-11-KB21-0	E	

**2 PARKING LOT LIGHT**

SCALE: 1/2"=1'-0"



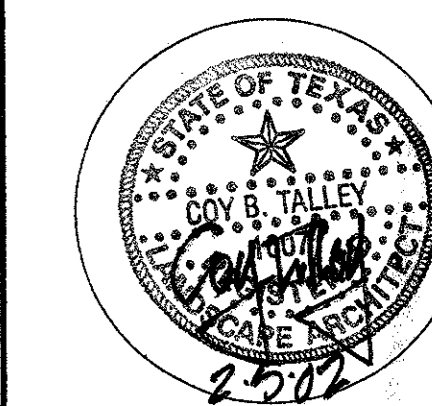
QUANTITIES			
POULSEN	KAT-454-COPPER	175 MH	11 TOTAL
	RSS-3-12-GALVANIZED		
POULSEN	KAT-454-COPPER-HS	175 MH	4 TOTAL
	RSS-3-12-GALVANIZED		

**1 PEDESTRIAN LIGHT**

SCALE: 1/2"=1'-0"

**3 FIRE HYDRANT**

SCALE: 1/2"=1'-0"



Project No. 1038  
Drawn By: ES/CJ  
Checked By: KB/CT  
Date: FEBRUARY 5, 2002

Revisions:


Sheet Title:

**DETAILS**

**L5.05**

Sheet No.: