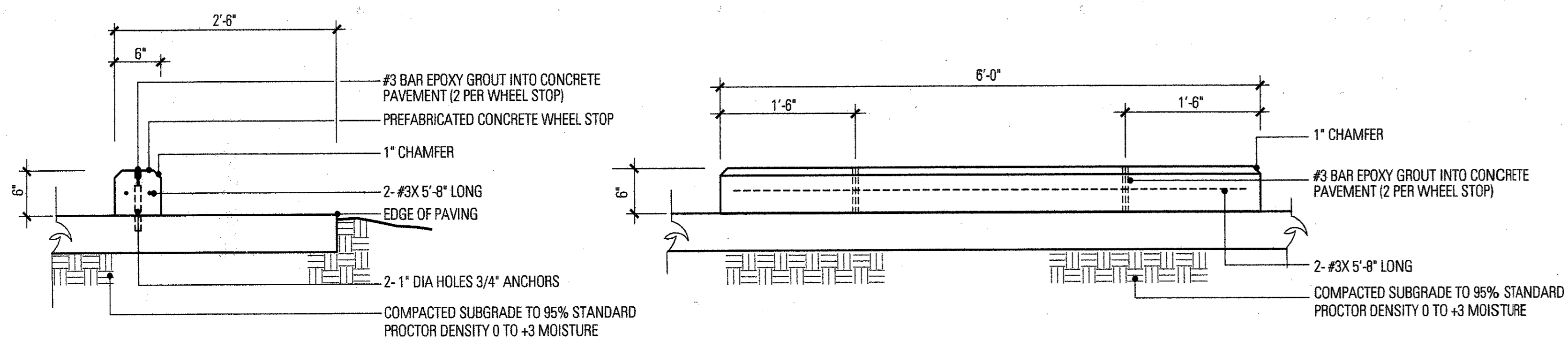
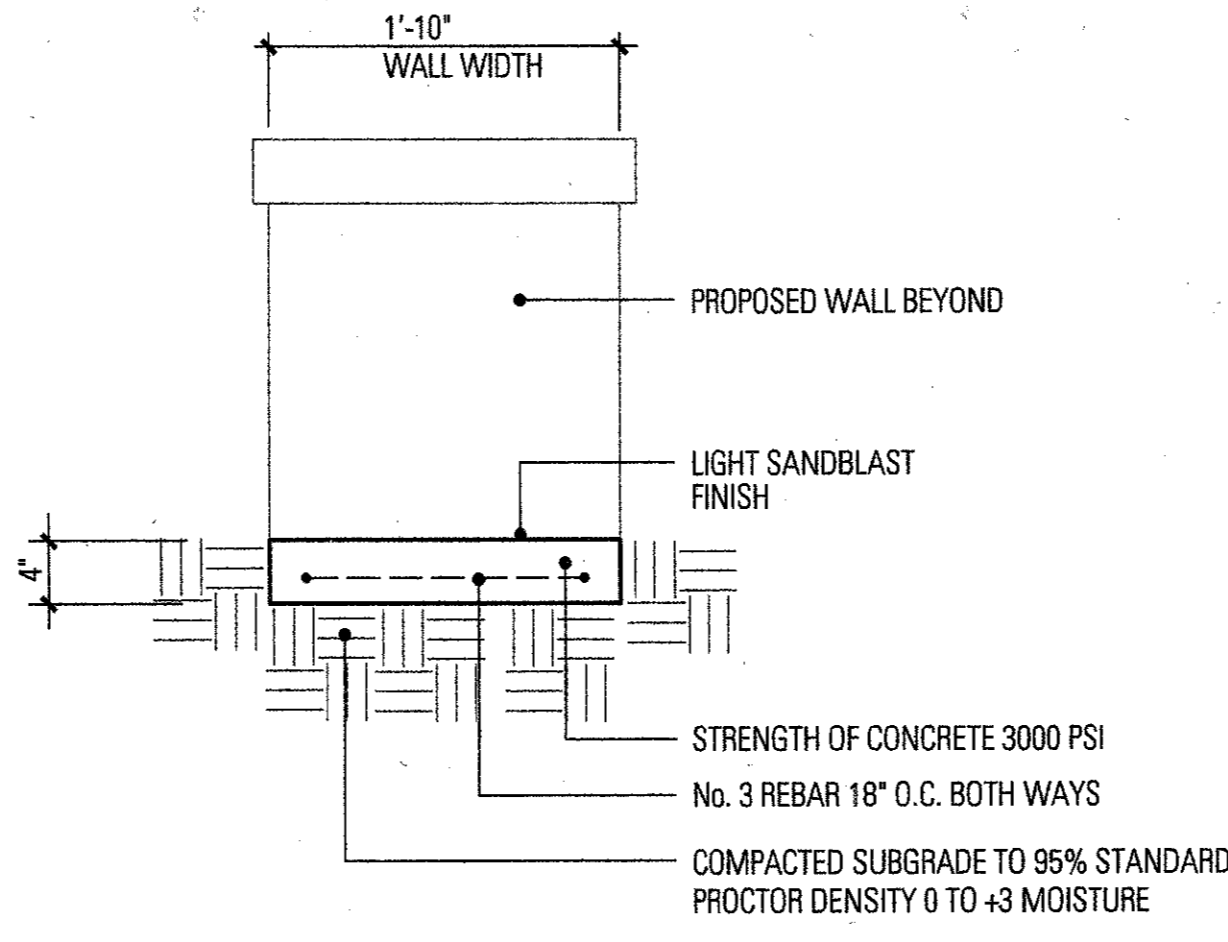


Project No.	10388
Drawn By:	ES/ CJ
Checked By:	KB/CT
Date:	FEBRUARY 5, 2002
Revisions:	
	▲
	▲
	▲
	▲

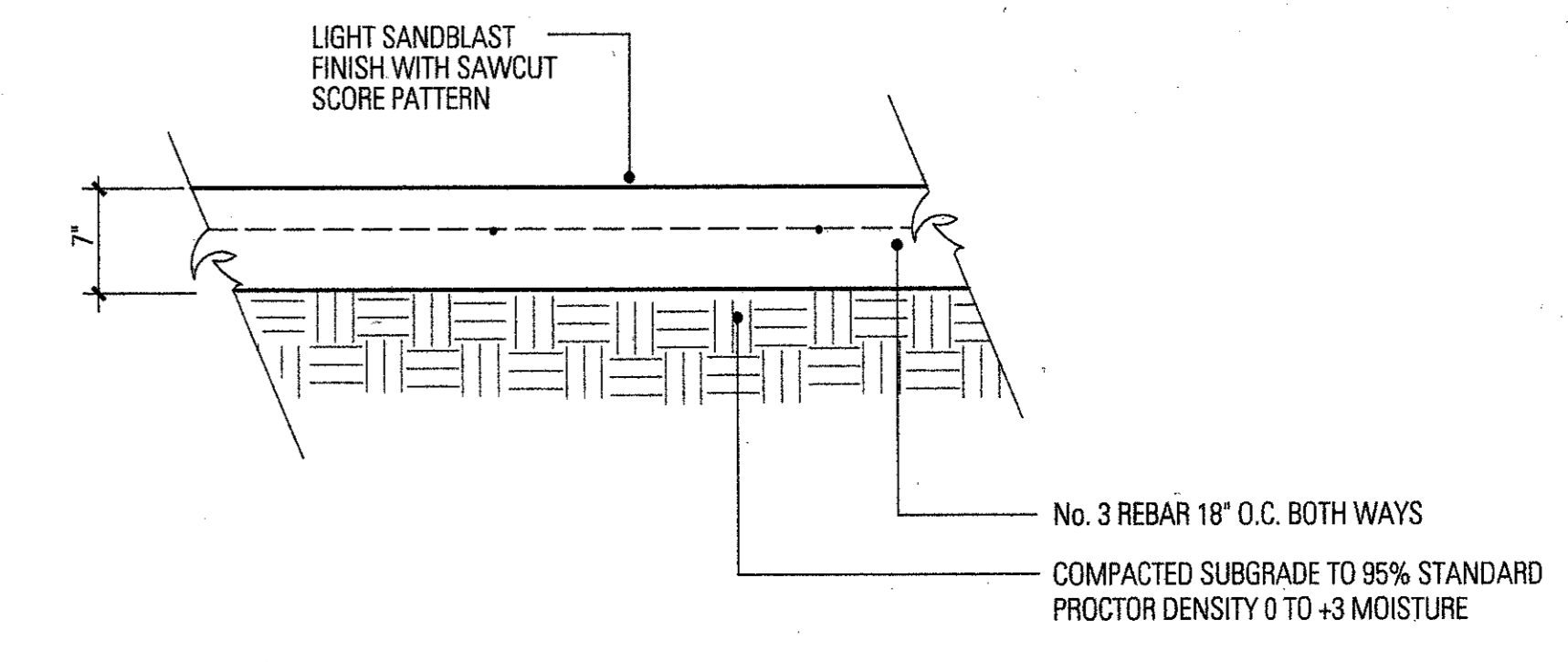
Sheet Title:  
**L5.06**  
Sheet No.:



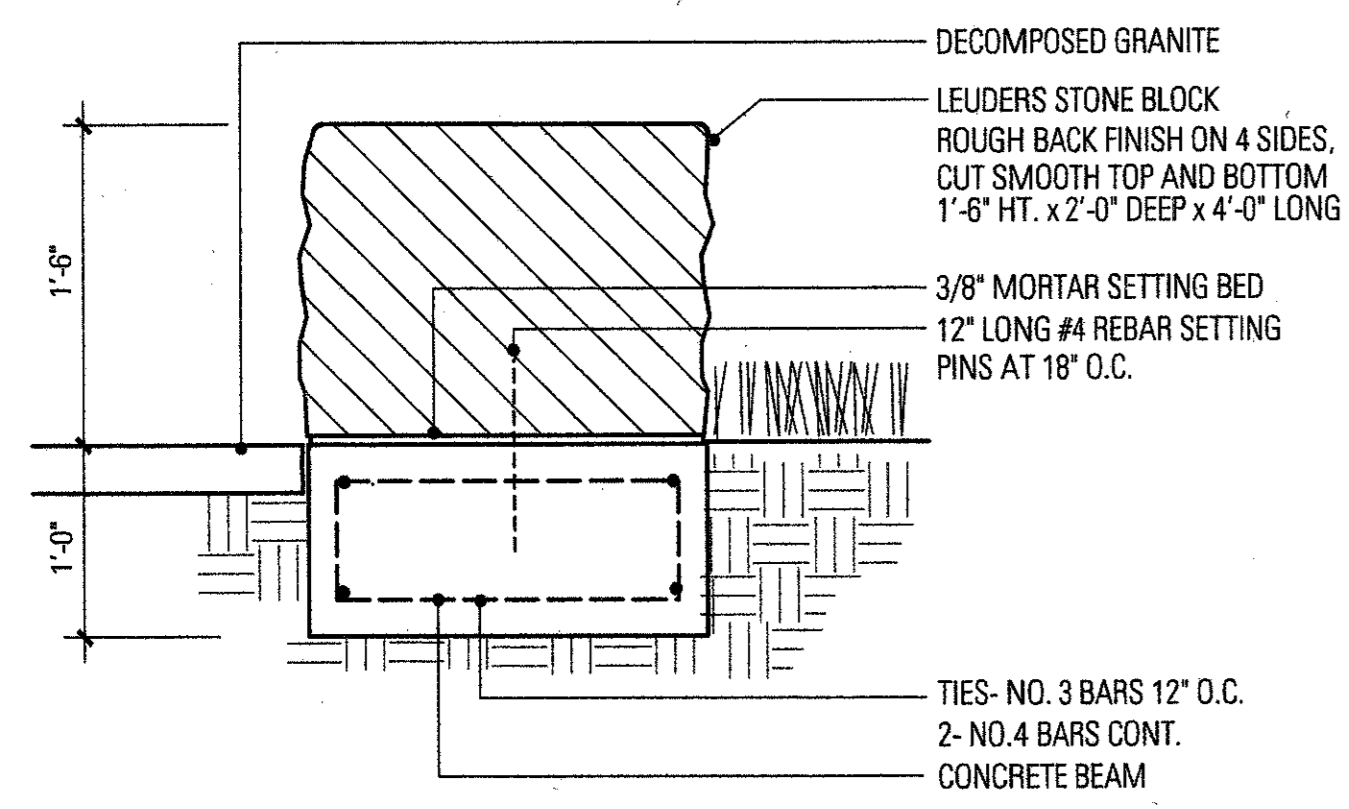
**12 WHEEL STOP**  
SCALE: 1"=1'-0"



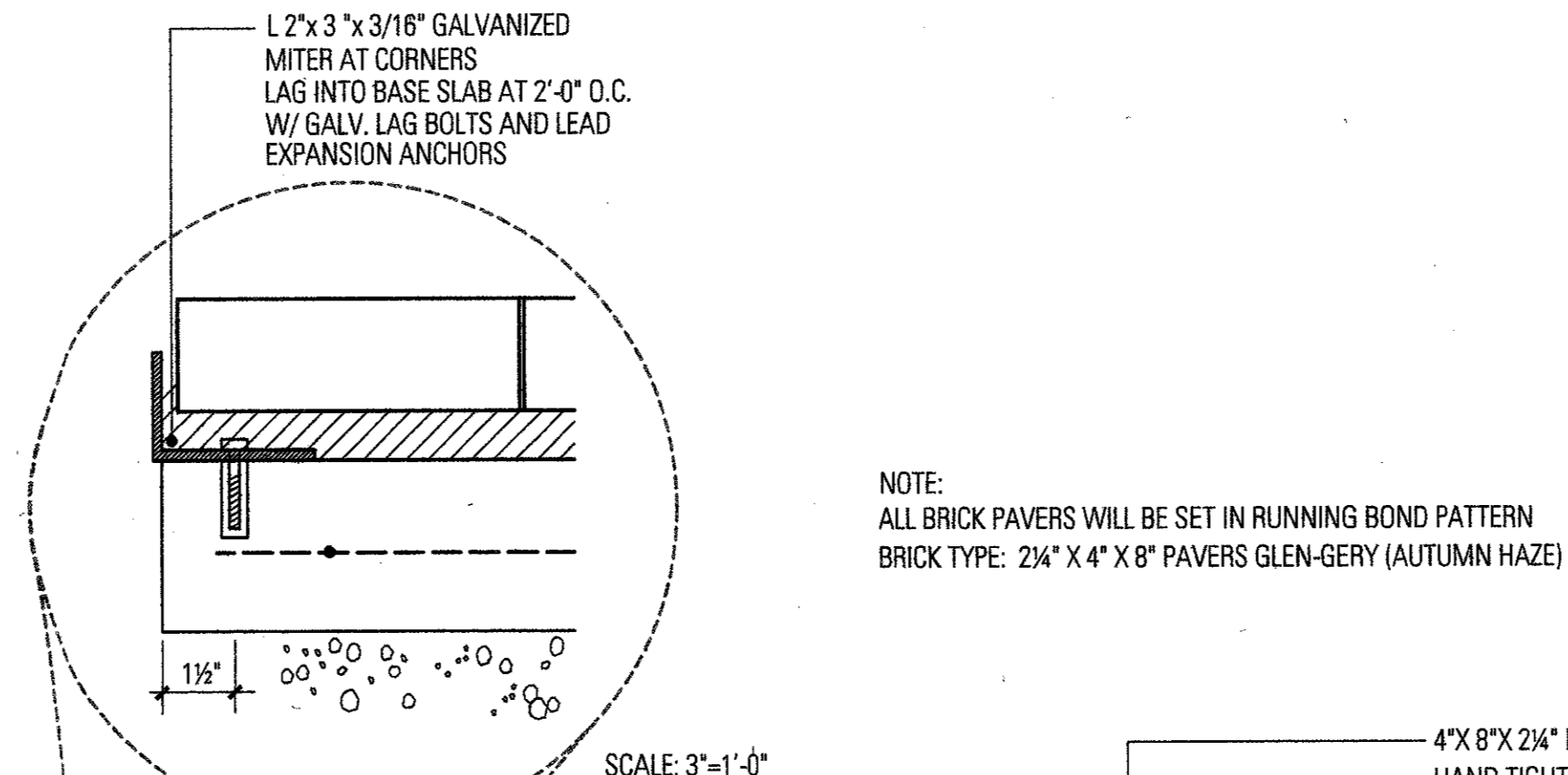
**8 CONCRETE MOW STRIP**  
SCALE: 1"=1'-0"



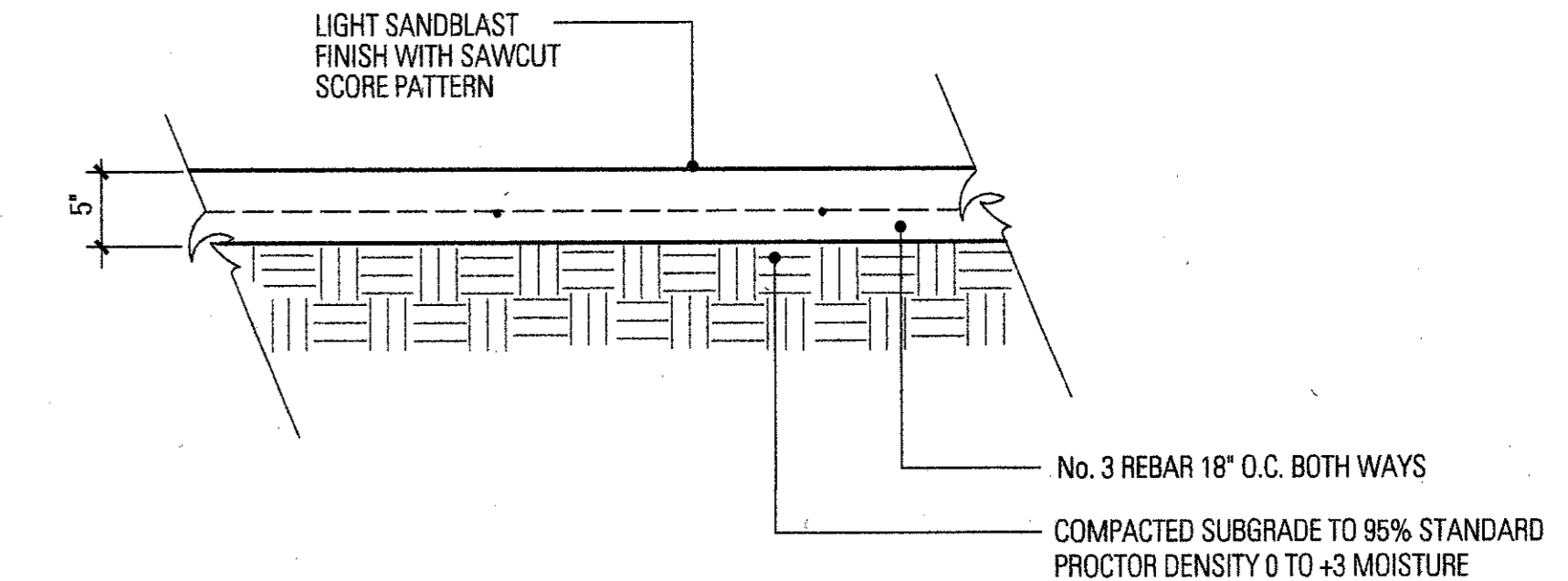
**4 FIRE LANE PAVING SECTION**  
SCALE: 1"=1'-0"



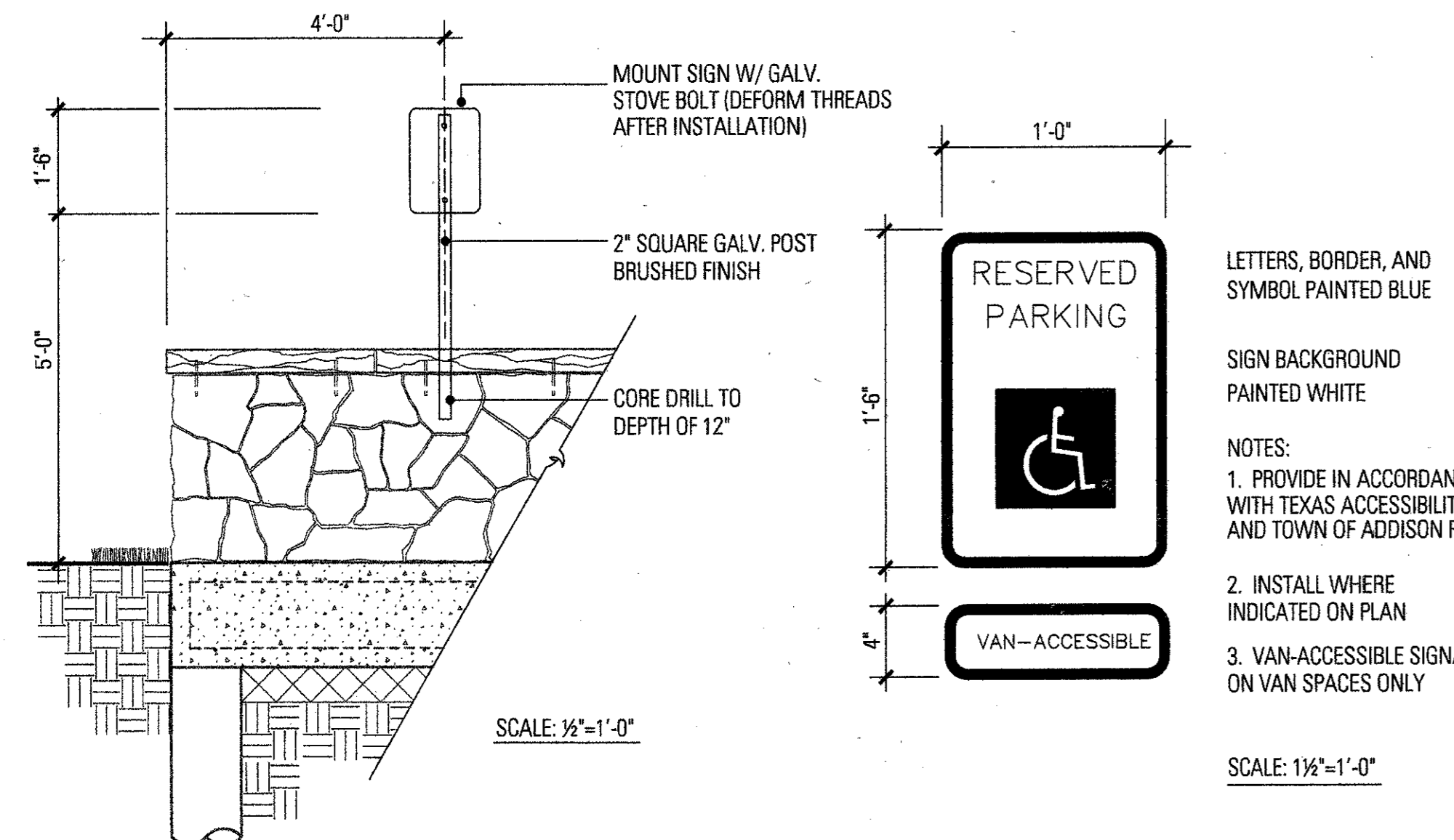
**11 STONE SEAT BENCH**  
SCALE: 1"=1'-0"



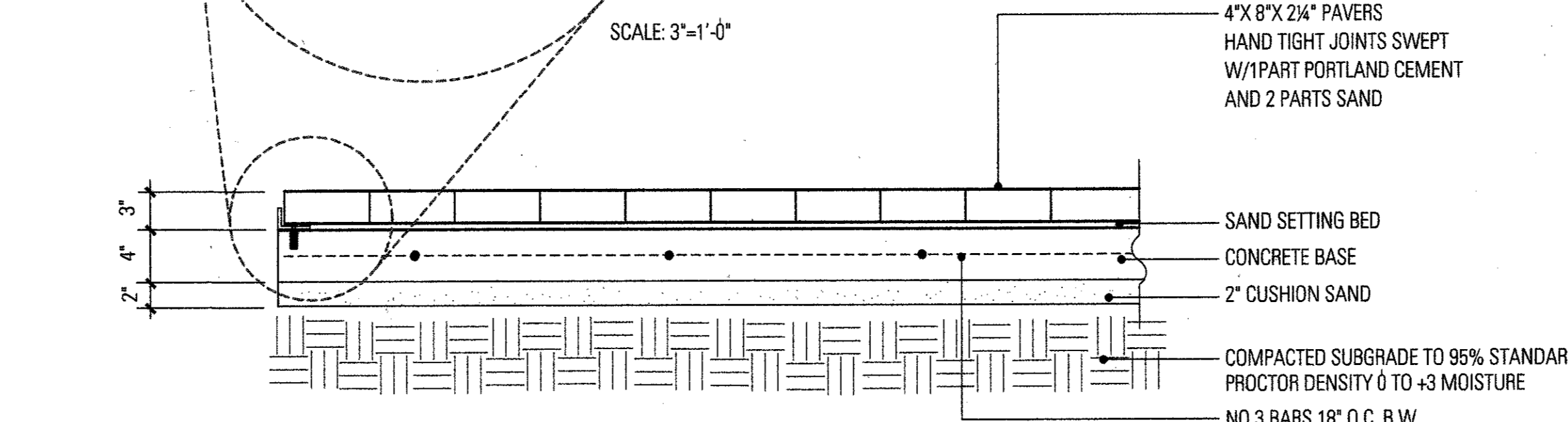
**7 BRICK PAVERS**  
SCALE: 1"=1'-0"



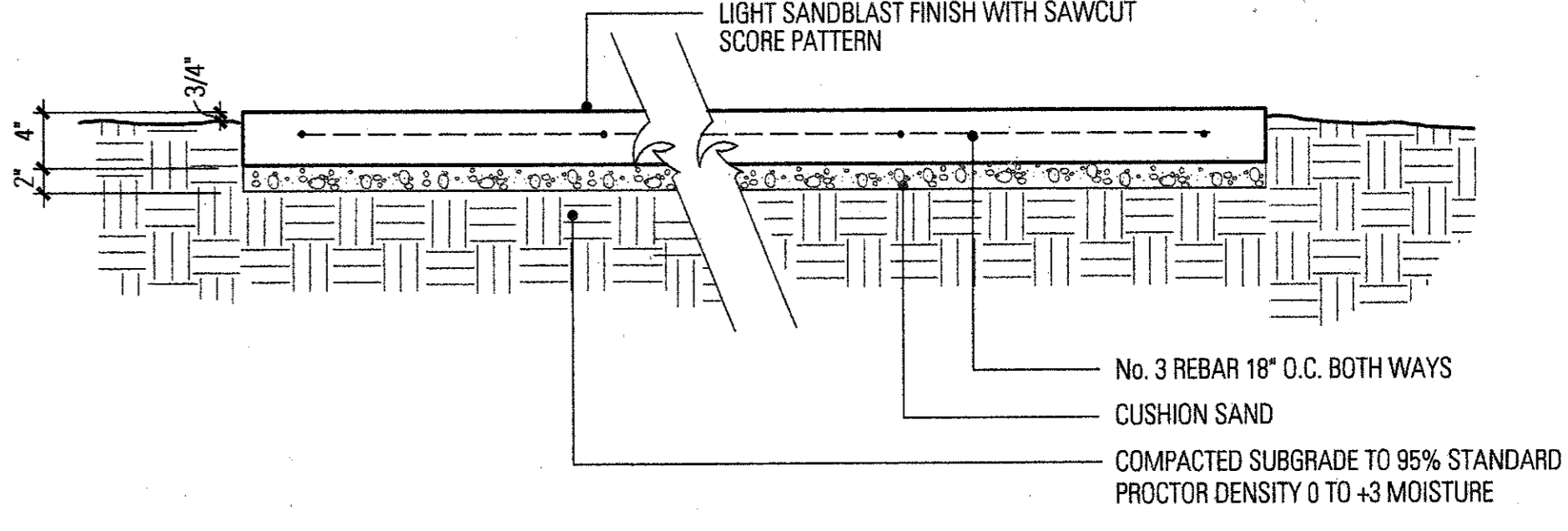
**3 STANDARD PAVING SECTION**  
SCALE: 1"=1'-0"



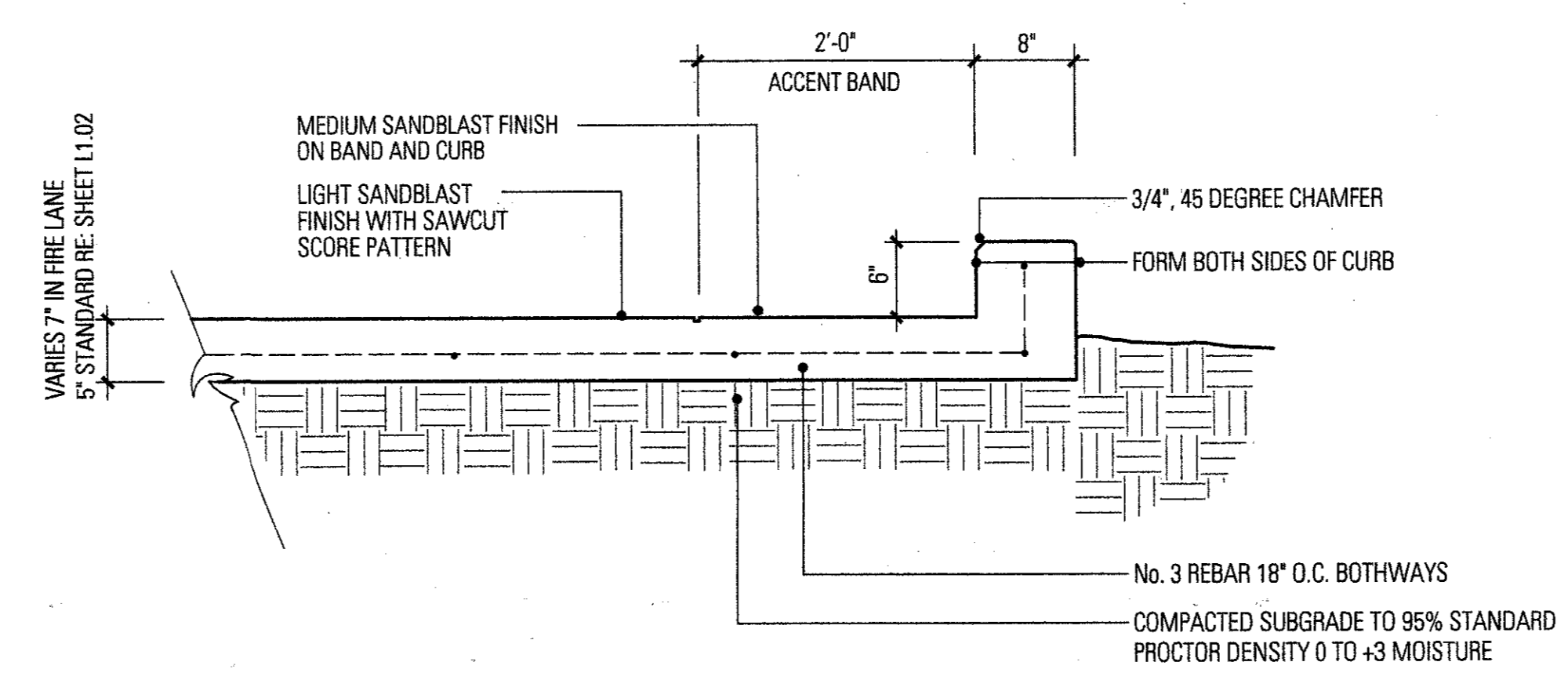
**10 HANDICAPPED SIGN AT PARKING BAY**  
SCALE: 1/2"=1'-0"



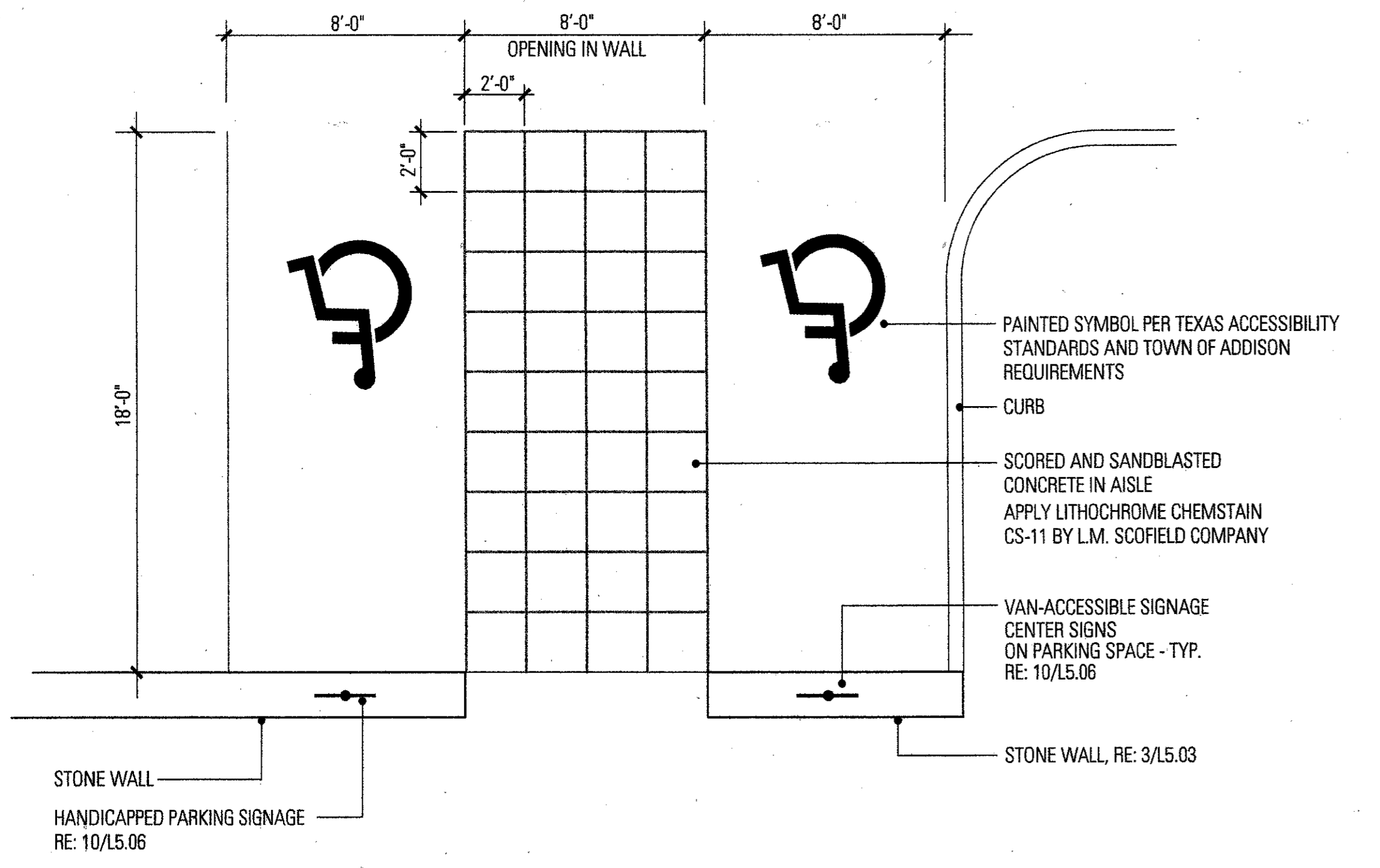
**2 CONCRETE WALK SECTION**  
SCALE: 1"=1'-0"



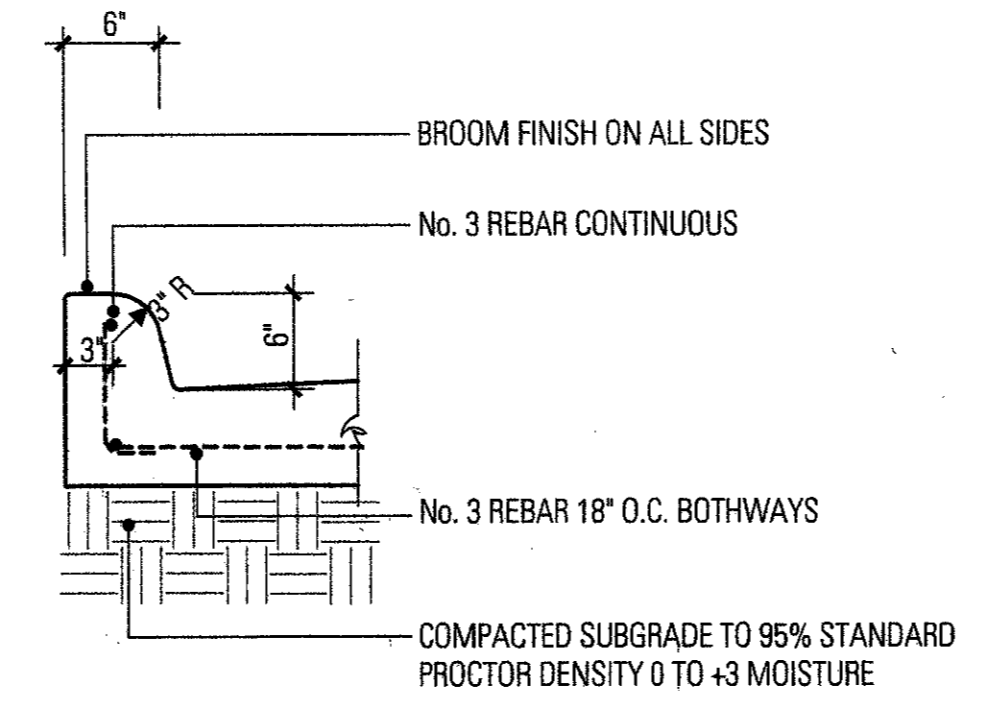
**3 STANDARD PAVING SECTION**  
SCALE: 1"=1'-0"



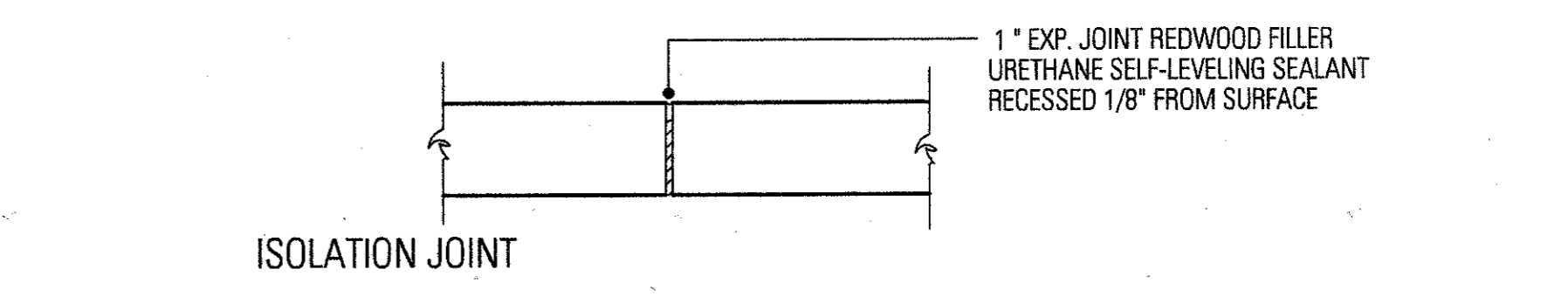
**6 8" CONCRETE CURB AND GUTTER**  
SCALE: 1"=1'-0"



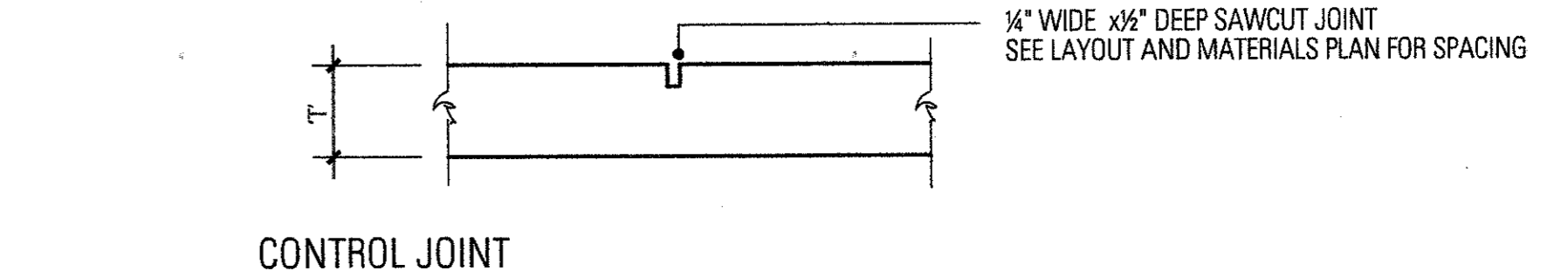
**9 HANDICAP PARKING**  
SCALE: 1/4"=1'-0"



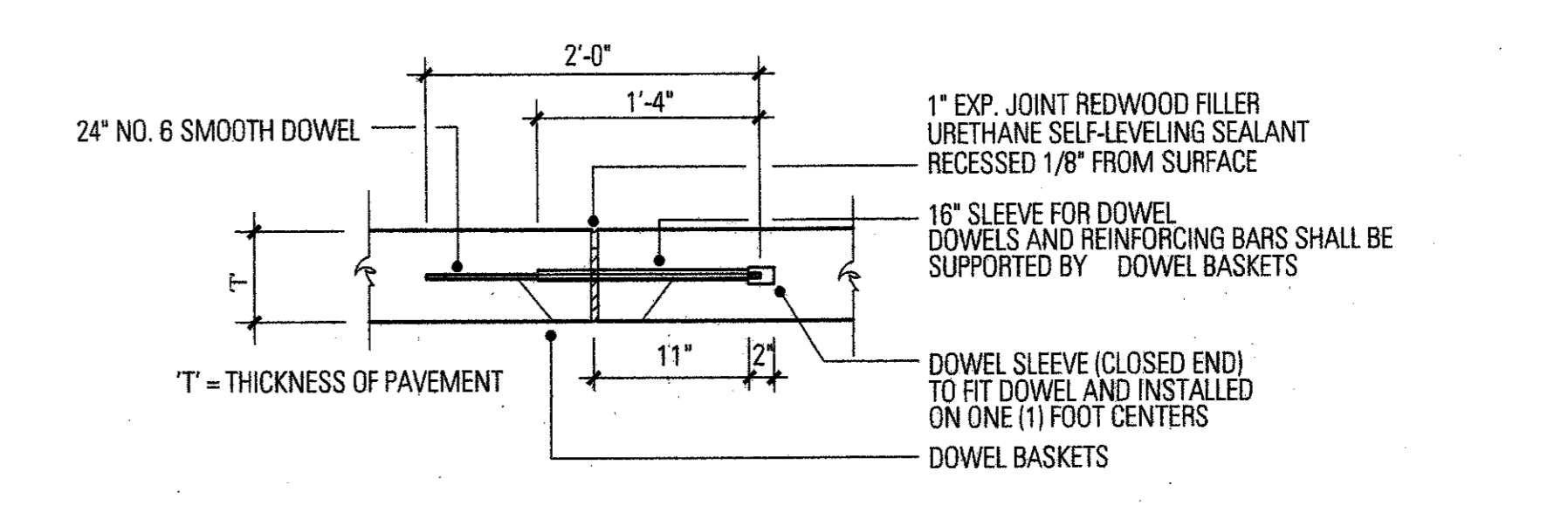
**5 6" CONCRETE CURB AND GUTTER**  
SCALE: 1"=1'-0"



**ISOLATION JOINT**



**CONTROL JOINT**



**EXPANSION JOINT WITH DOWEL**

**1 JOINTS IN CONCRETE**  
SCALE: 1"=1'-0"