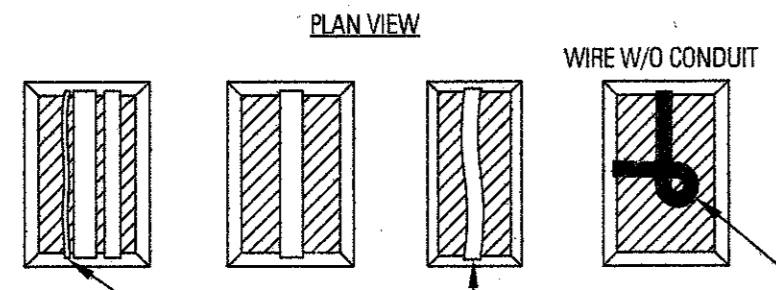
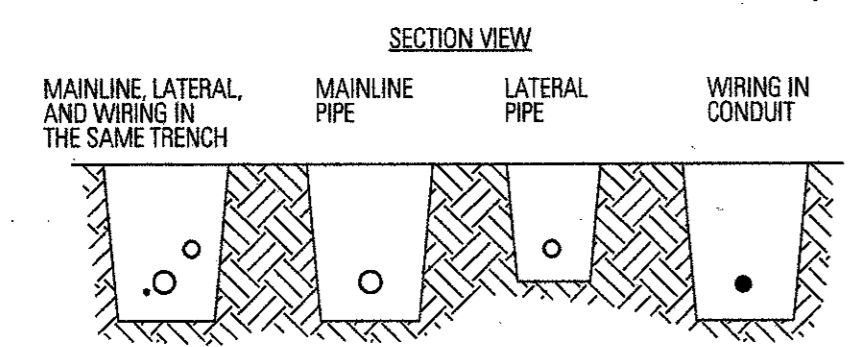


POP-UP SPRAY SPRINKLER

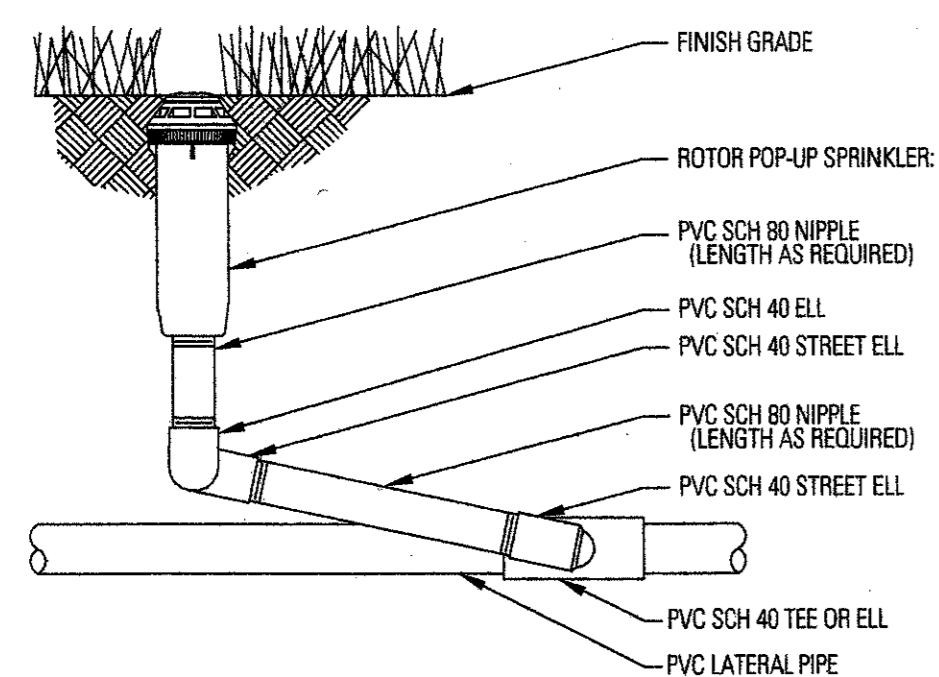
8 HIGH POP-UP SPRAY HEAD



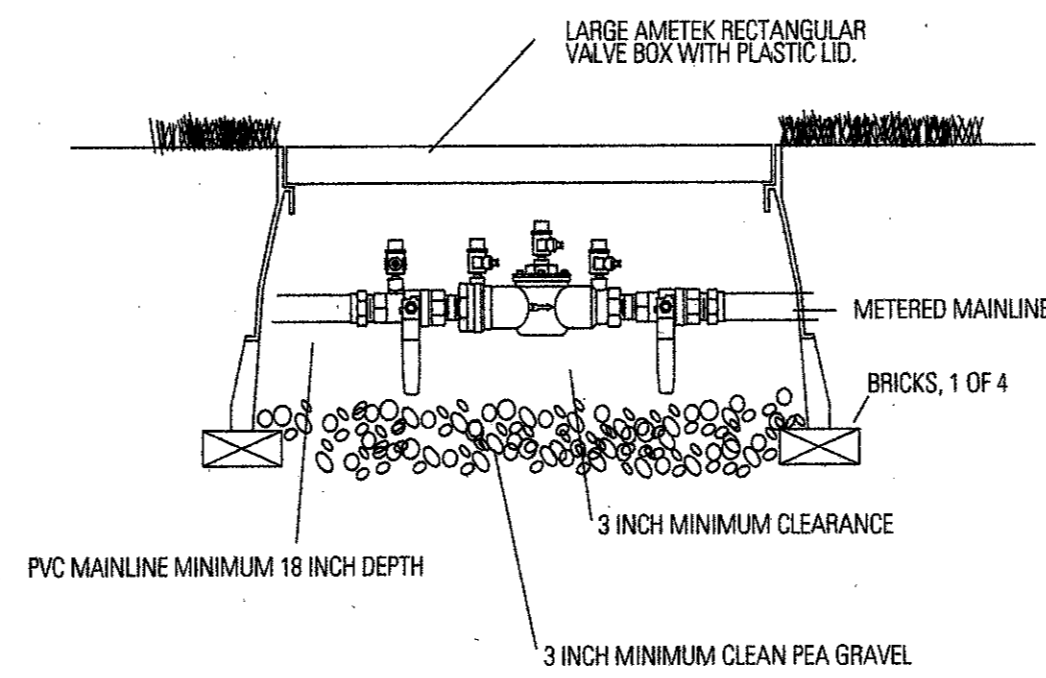
RUN WIRING BENEATH AND BESIDE MAINLINE TAPE AND BUNDLE AT 10-FOOT INTERVALS.
 ALL SOLVENT WELD PLASTIC PIPING TO BE SNAKED IN TRENCH AS SHOWN.
 TIE A 24-INCH LOOP IN ALL WIRING AT CHANGES OF DIRECTION OF 30° OR GREATER. LAMINATE AFTER ALL CONNECTIONS HAVE BEEN MADE.

NOTES:
 1. SLEEVE BELOW ALL HARDSCAPE ELEMENTS WITH CLASS 200 PVC TWICE THE DIAMETER OF THE PIPE OR WIRE BUNDLE WITHIN.
 2. FOR PIPE AND WIRE BURIAL DEPTHS SEE SPECIFICATIONS.

7 TRENCH DETAIL

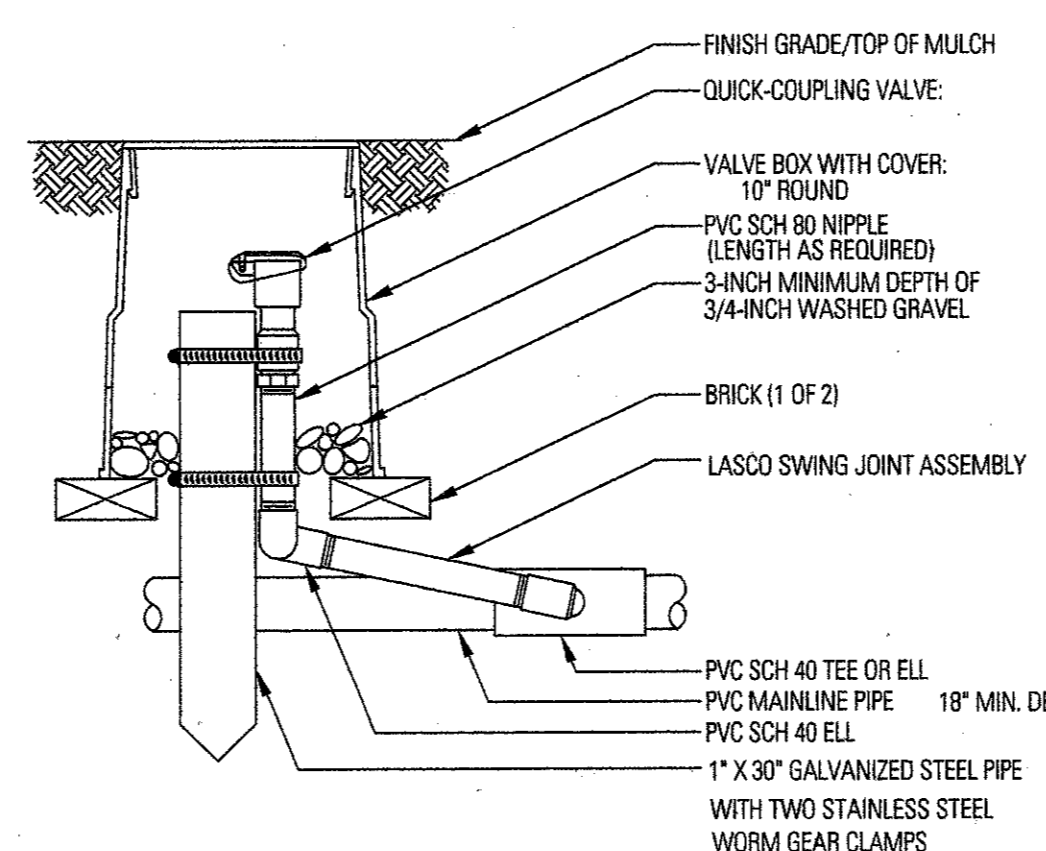


6 POP UP ROTARY HEAD



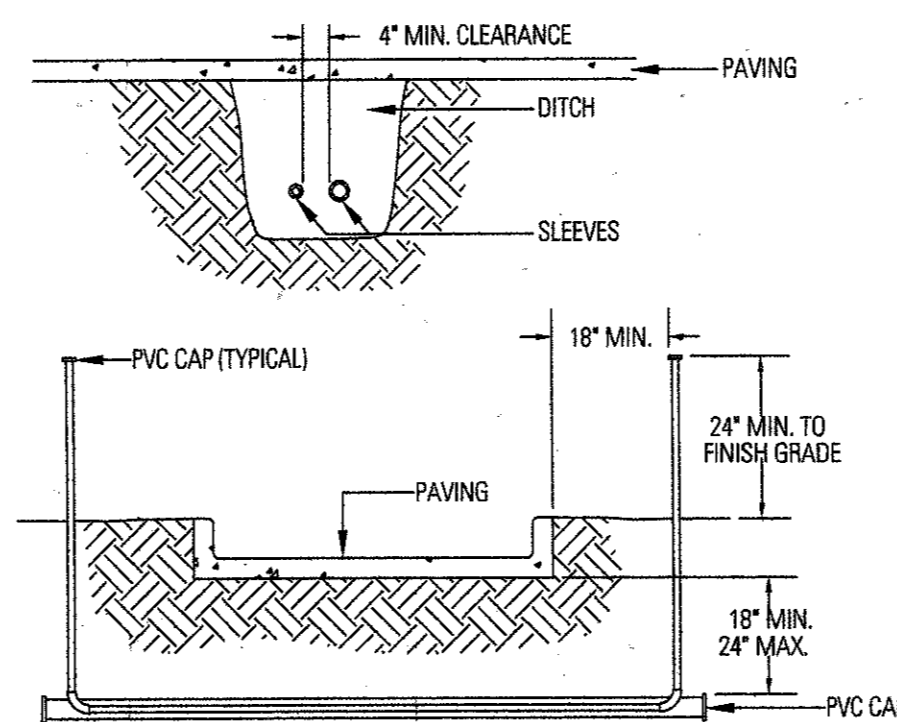
INSTALL ACCORDING TO LOCAL CODE

5 BACKFLOW PREVENTOR



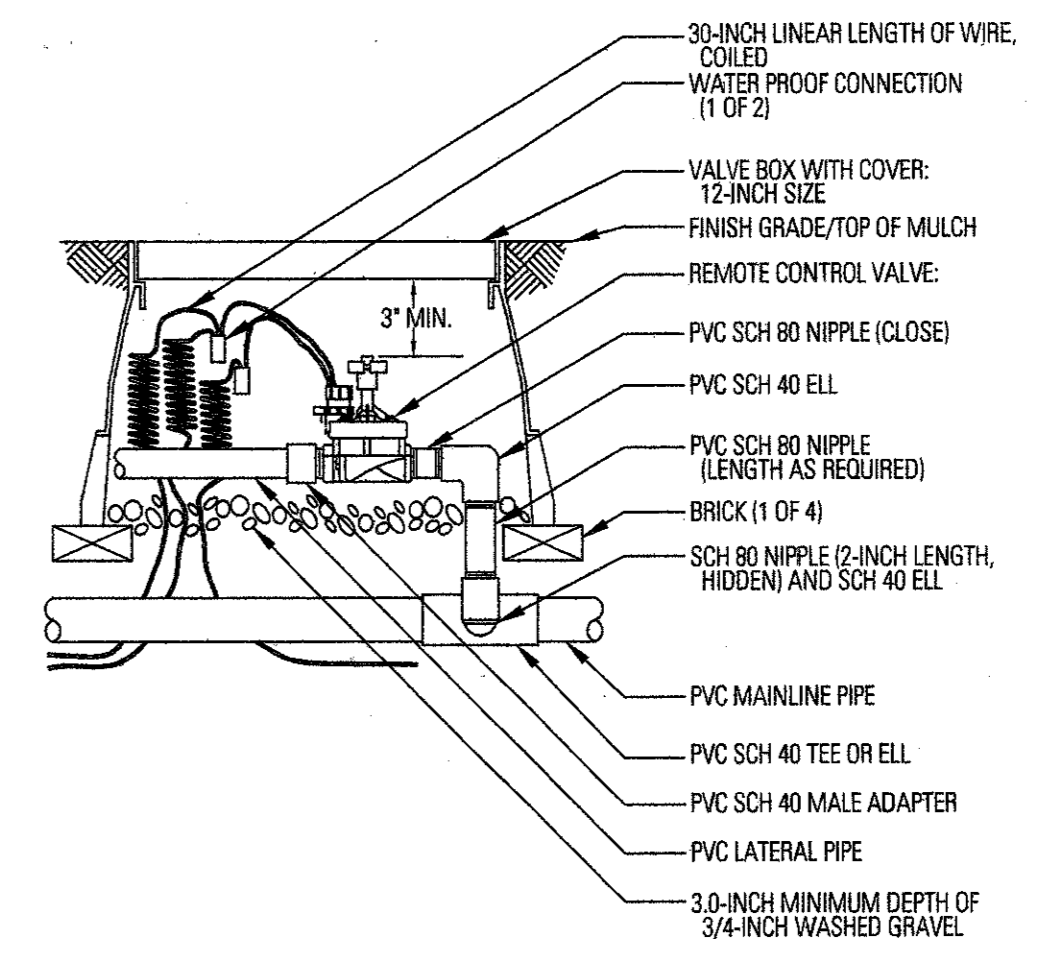
NOTE:
 SET O.C. VALVE AT HEIGHT TO ALLOW USE OF KEY HANDLE ABOVE BOX

4 QUICK COUPLING VALVE

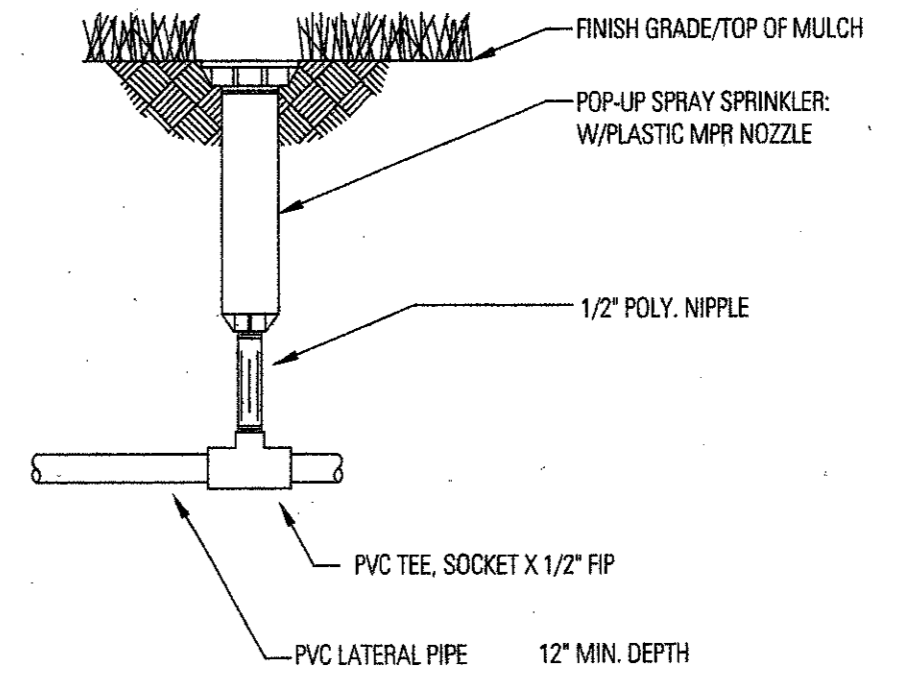


NOTES:
 1. ALL PVC IRRIGATION SLEEVES TO BE CLASS 200 PIPE.
 2. ALL JOINTS TO BE SOLVENT WELDED AND WATERTIGHT.
 3. WHERE THERE IS MORE THAN ONE SLEEVE, EXTEND THE SMALLER SLEEVE TO 24-INCHES MINIMUM ABOVE FINISH GRADE.
 4. MECHANICALLY TAMP TO 95% PROCTOR.

3 SLEEVING



2 REMOTE CONTROL VALVE



POP-UP SPRAY HEAD

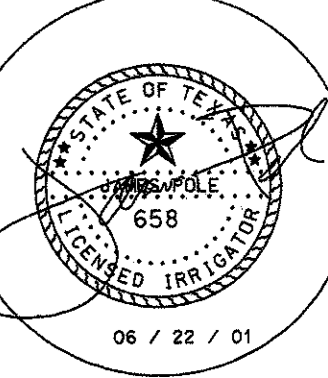
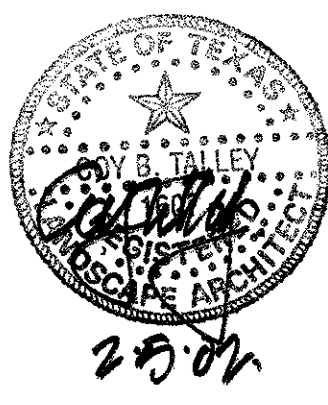
1 POP-UP SPRAY HEAD

Talley Associates
 Landscape Architecture
 Planning
 Urban Design
 1925 San Jackson, Suite 400
 Dallas, Texas 75201
 Tel: 214-619-7000
 Fax: 214-619-7885

ZWISER / GROSSMAN STRUCTURAL LLC
 Structural Engineering
 1701 N. Marlier St. Suite #910
 Dallas, Texas 75202
 Tel: 469-227-3883
 Fax: 469-227-3881

MEP SYSTEMS DESIGN AND ENGINEERING, INC.
 618 Oregon Street
 Dallas, Texas 75207
 Tel: 214-619-9229
 Fax: 214-619-6918

JAMES POLE LANDSCAPE IRRIGATION SPECIALIST
 Landscape Irrigation Consulting, Design, Specifications
 2815 Woodhaven
 Dallas, Texas 75201
 Tel: 940-243-2364



| | |
|-------------|------------------|
| Project No. | 1038 |
| Drawn By: | ES/CJ |
| Checked By: | KB/CT |
| Date: | FEBRUARY 5, 2002 |
| Revisions: | |
| △ | |
| △ | |
| △ | |
| △ | |

James Pole
 LANDSCAPE IRRIGATION SPECIALIST
 CONSULTING, DESIGN, SPECIFICATIONS
 TEXAS LICENSED IRRIGATOR #658
 2815 WOODHAVEN
 DENTON, TEXAS 76201
 PHONE: 940-243-2364