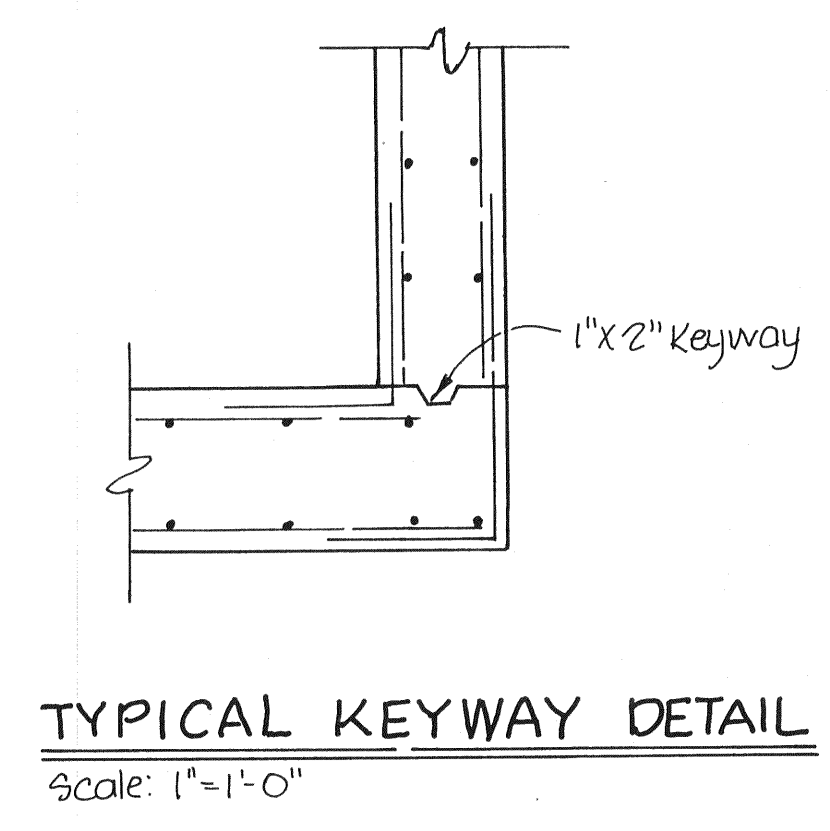
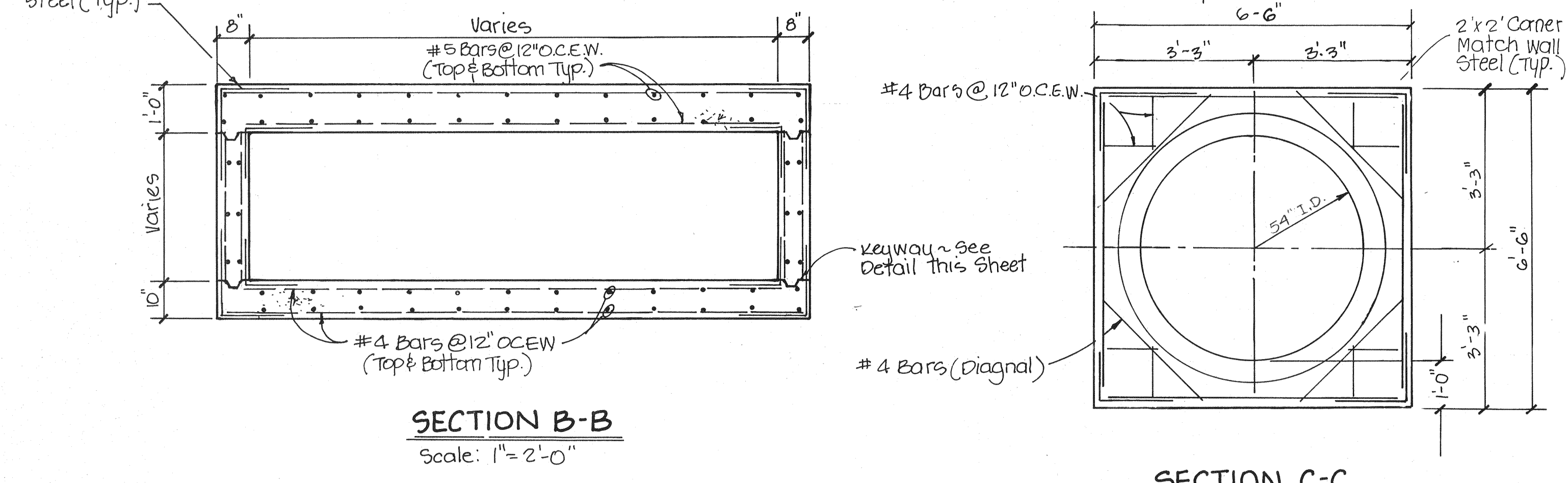
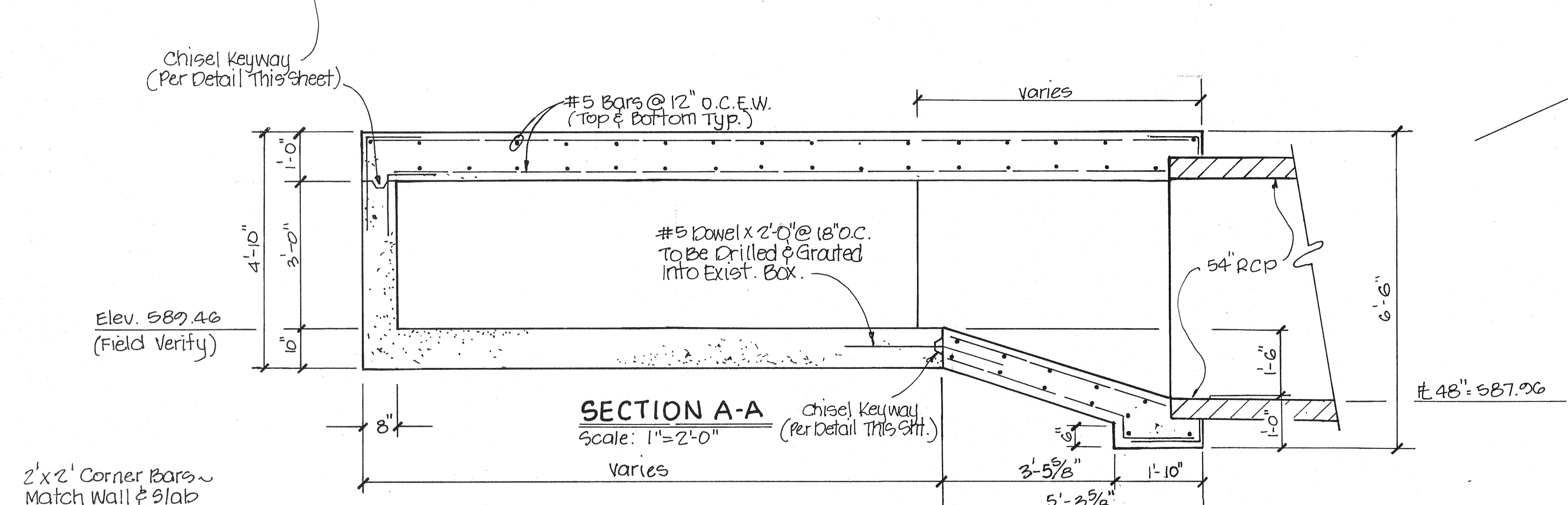
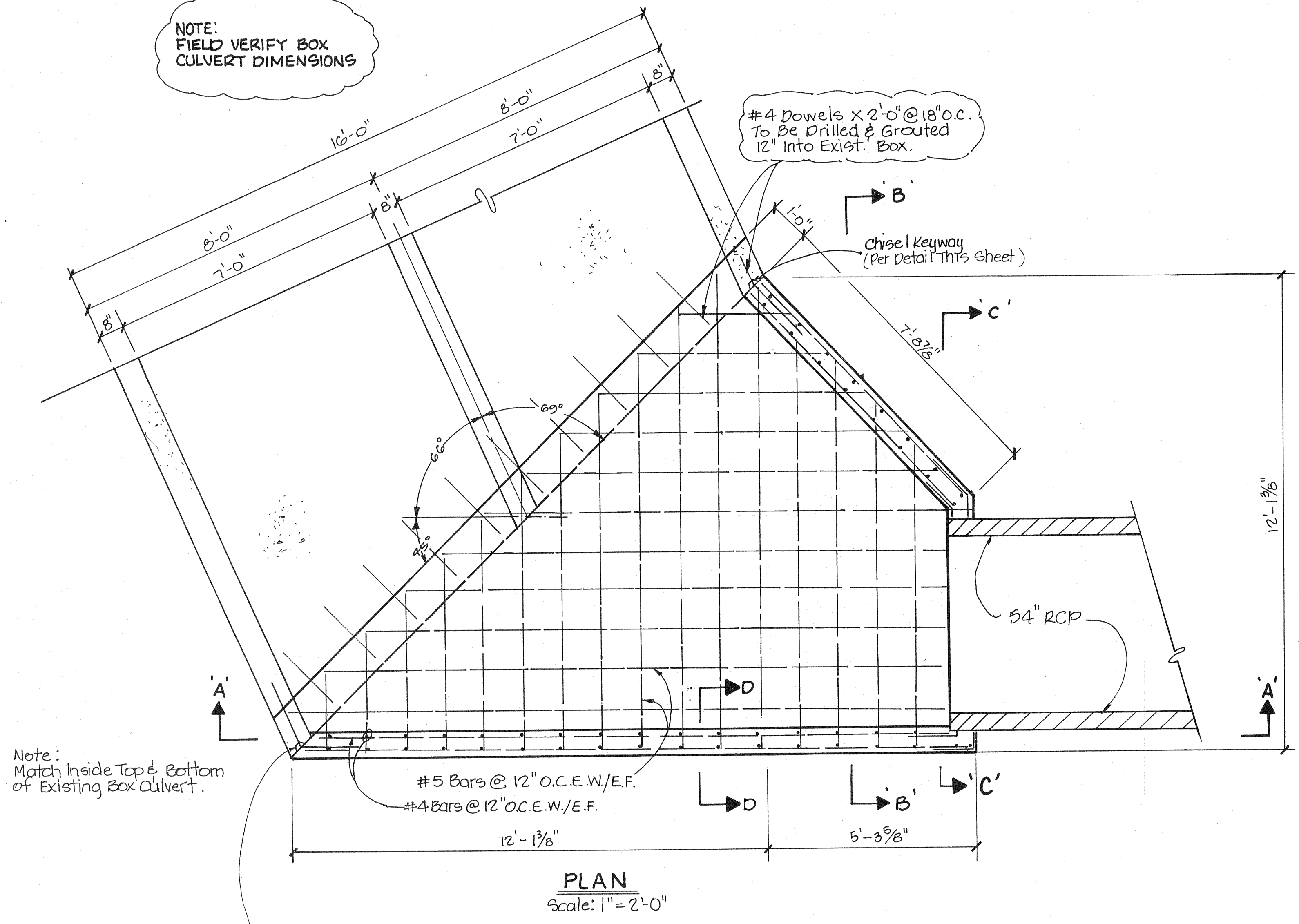
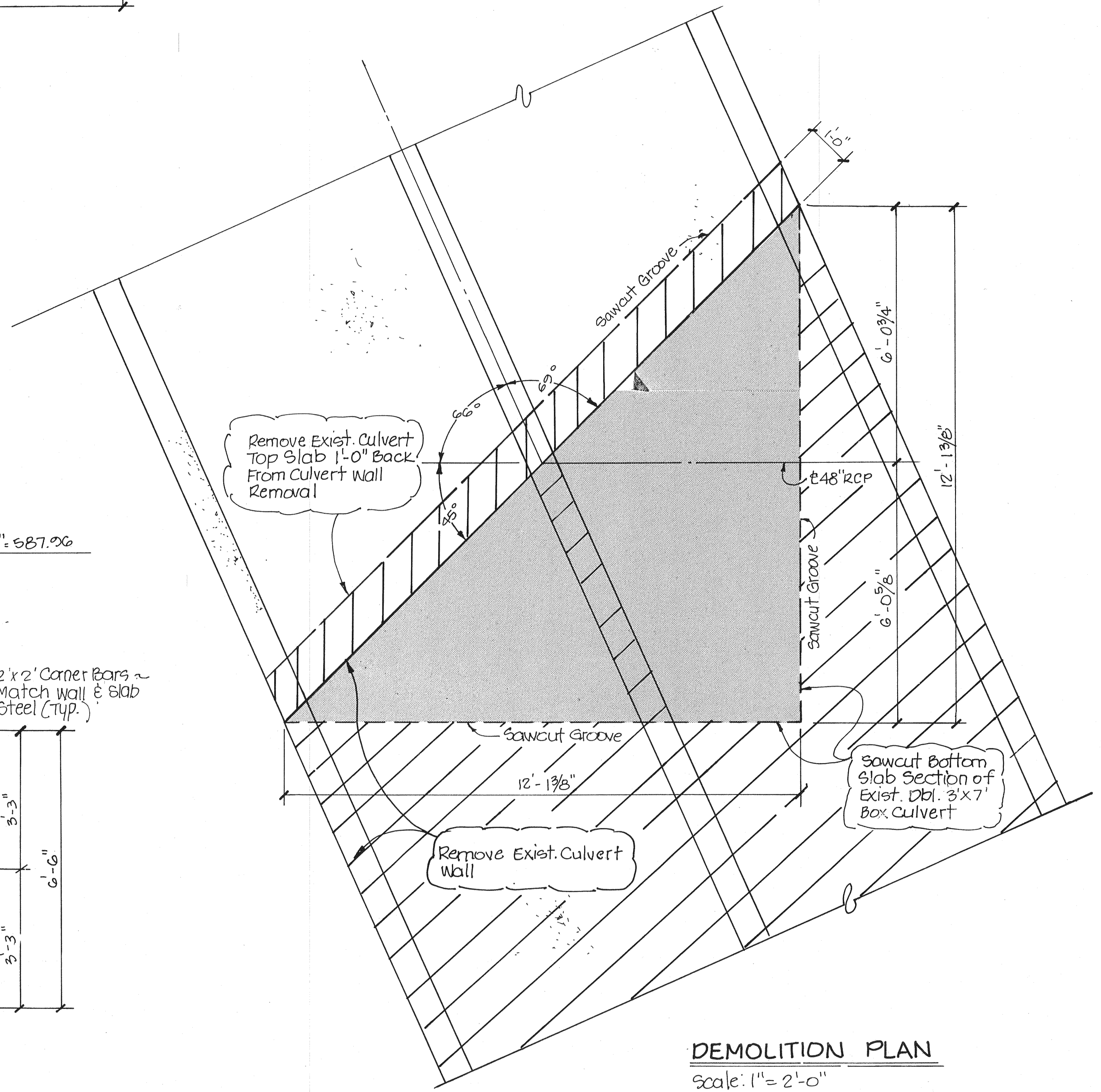
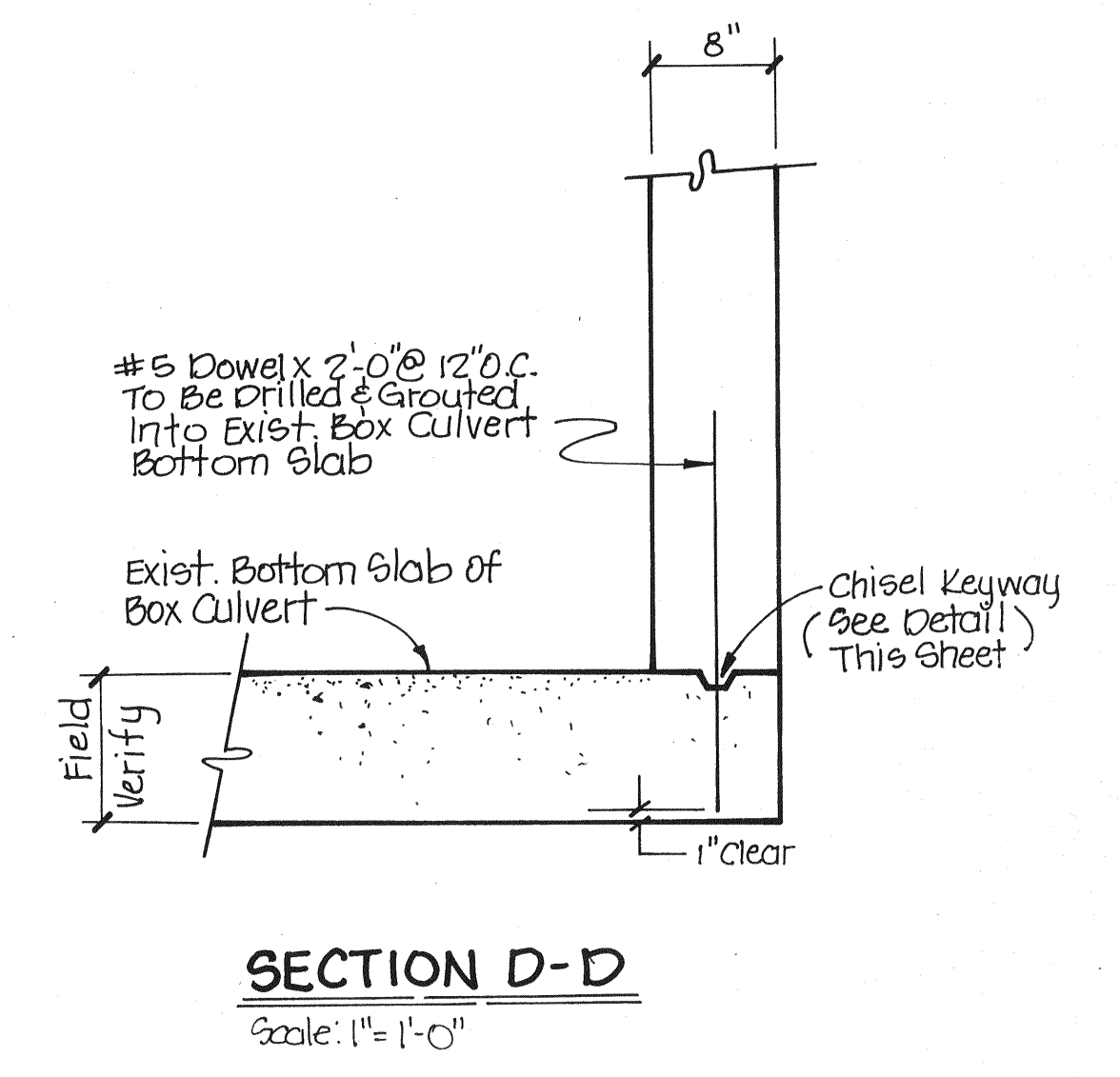


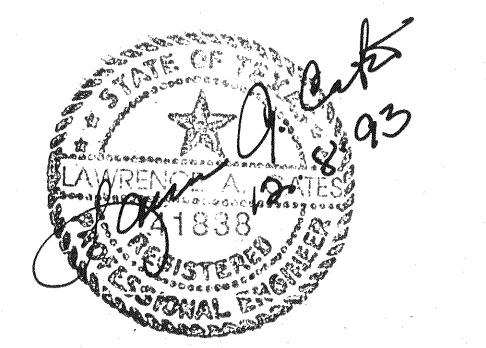
NOTE:
FIELD VERIFY BOX
CULVERT DIMENSIONS



- GENERAL NOTES
1. CONCRETE SHALL HAVE A MINIMUM COMPRESSIVE STRENGTH OF $f'c = 3000$ PSI AT 28 DAYS.
 2. REINFORCING STEEL $F_y = 40$ KSI.
 3. BAR LAPS SHALL BE 30" DIAMETERS.
 4. EXPOSED EDGES AND CORNERS TO BE CHAMFERED 3/4".



Concrete Slab To Remain
Concrete Removal



AS-BUILTS
I CERTIFY THIS PROJECT WAS CONSTRUCTED IN GENERAL CONFORMANCE WITH THESE CONSTRUCTION PLANS AND WILL FUNCTION AS DESIGNED.

54" RCP JUNCTION BOX DETAILS						
Les Lacs Avenue & Proton Avenue Profiles						
ADDISON TOWN CENTER SUBDIVISION						
TOWN OF ADDISON, TEXAS						
LAWRENCE A. CATES & ASSOC. CONSULTING ENGINEERS DALLAS, TEXAS						
DESIGN	DRAWN	DATE	SCALE	NOTES	FILE	NO.
LAC	LAC		NOTED			C-6