

AS-BUILTS
 I CERTIFY THIS PROJECT WAS CONSTRUCTED IN GENERAL CONFORMANCE WITH THESE CONSTRUCTION PLANS AND WILL MAINTAIN THIS PROJECT AS DESIGNED.
 Checked by H. J. V.
 Drawn by M. J. V.
 Sheet of

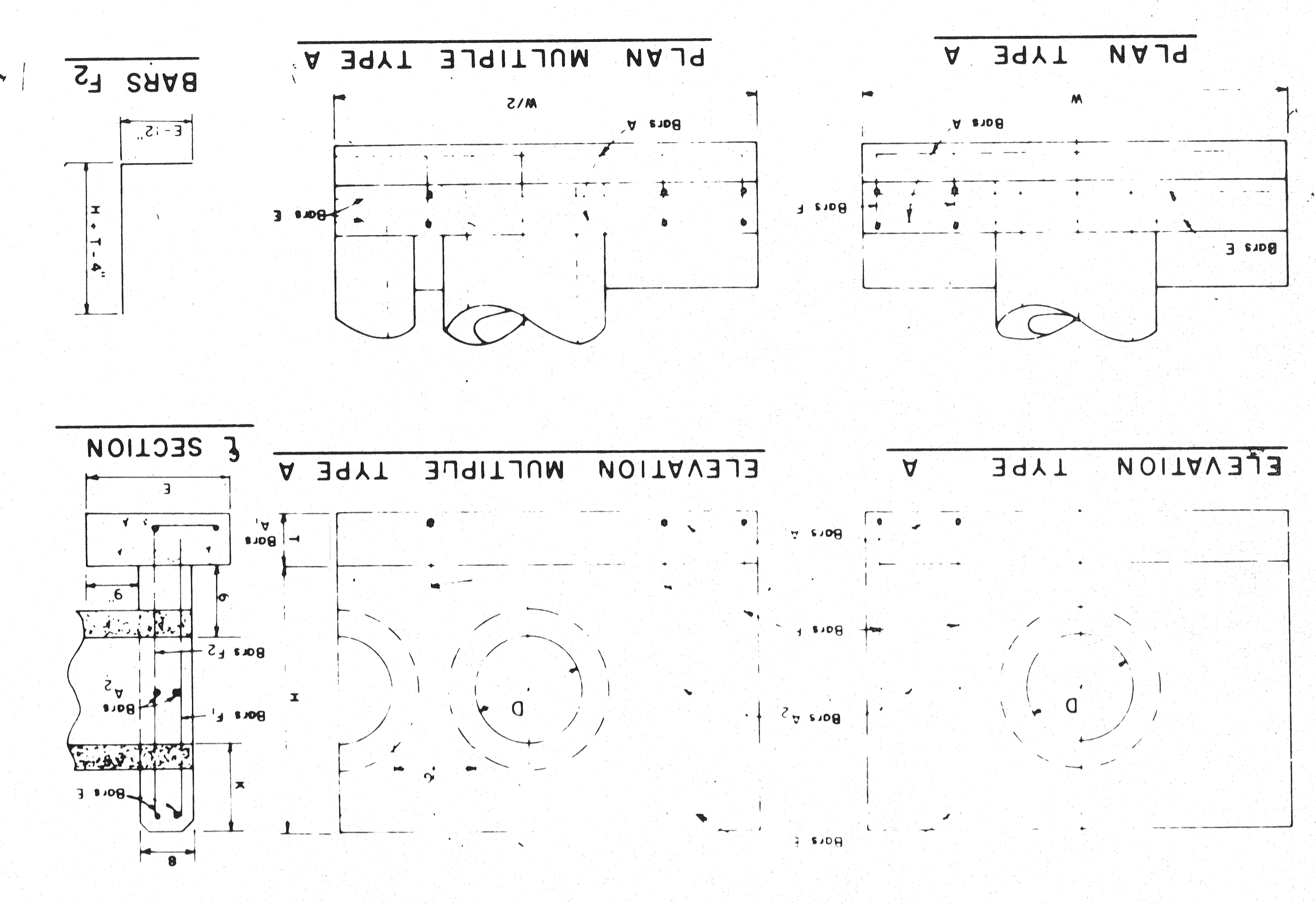
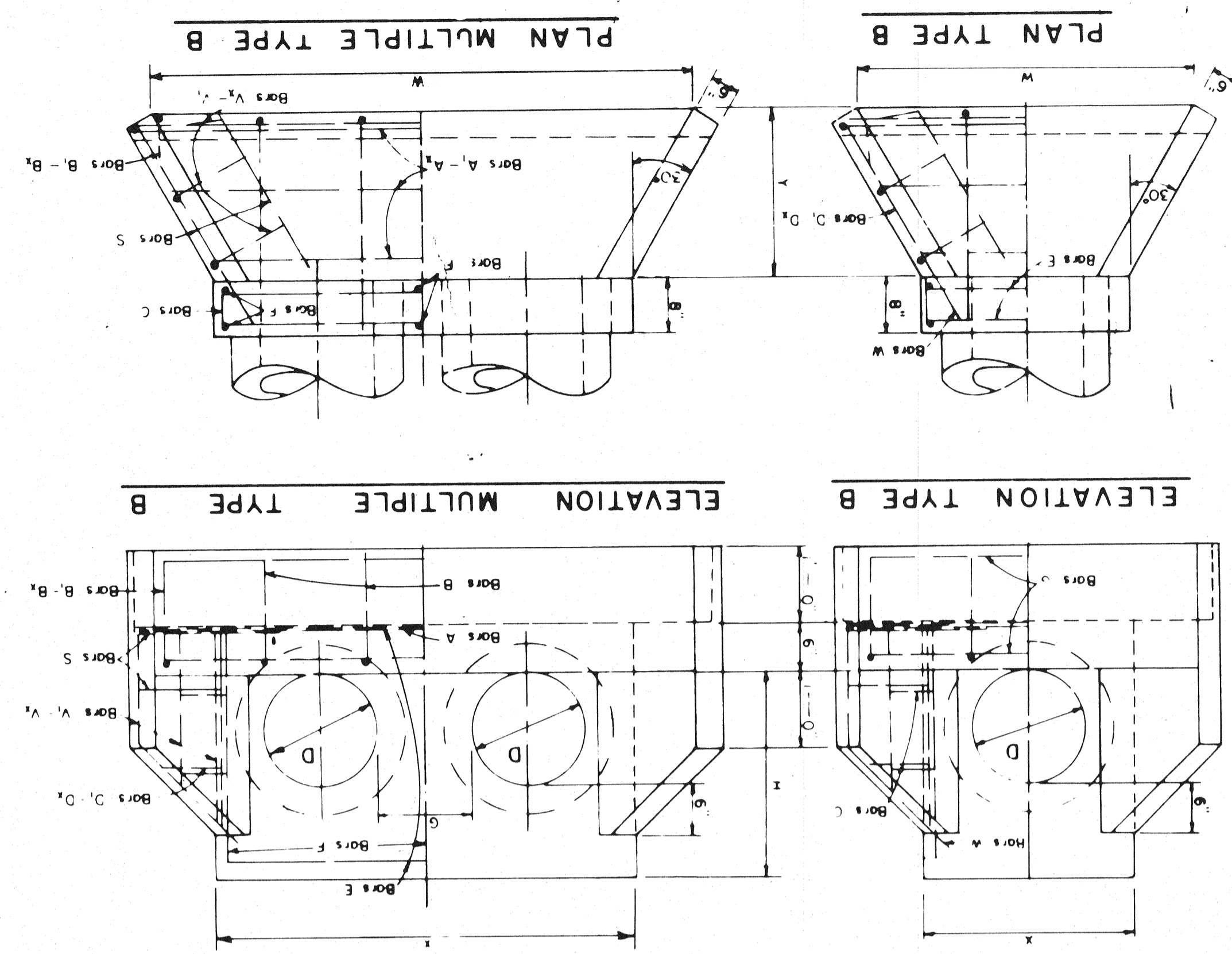
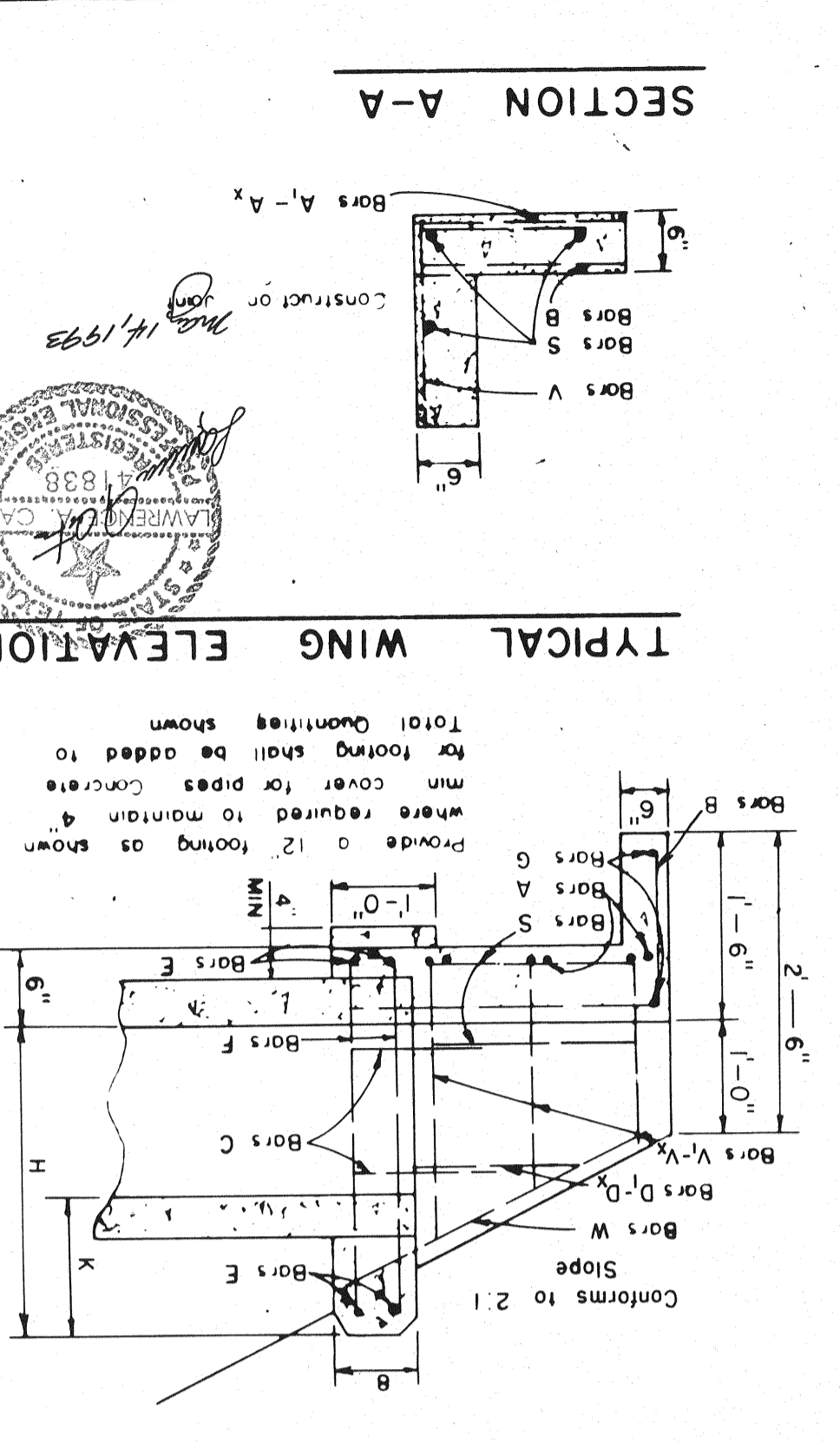
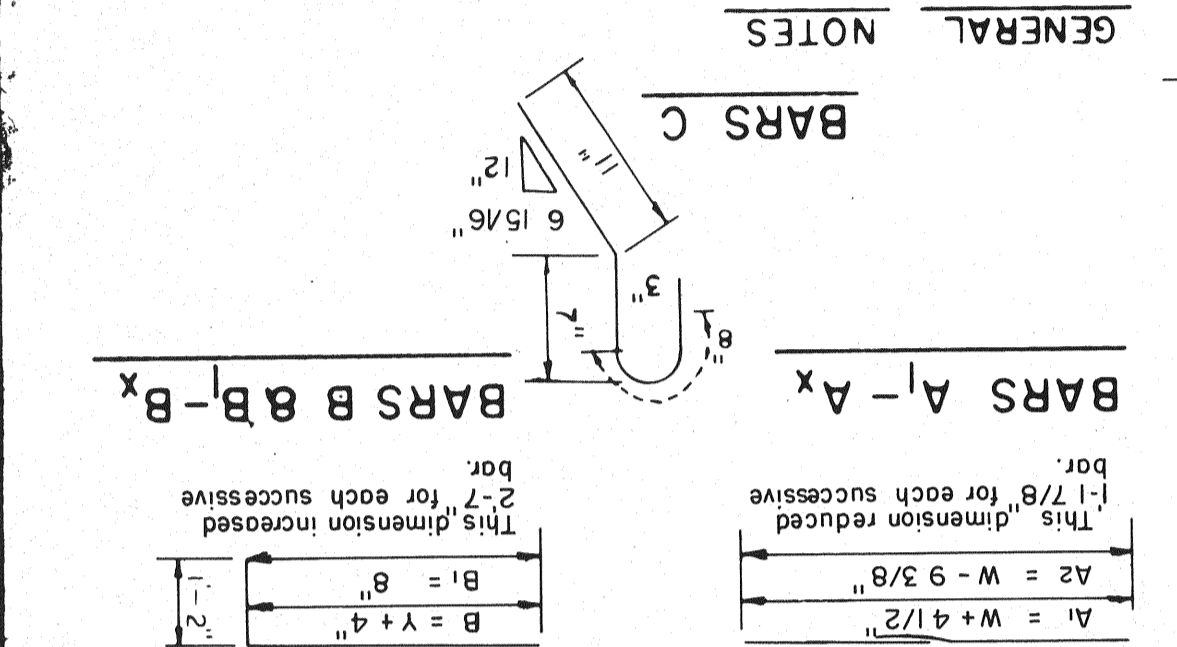


TABLE OF DIMENSIONS AND QUANTITIES FOR TWO TYPE A HEADWALLS		TABLE OF DIMENSIONS AND QUANTITIES FOR TWO TYPE B HEADWALLS		TABLE OF DIMENSIONS AND QUANTITIES FOR TWO TYPE C HEADWALLS	
NO. OF PIPES	DIAM. OF PIPES	NO. OF PIPES	DIAM. OF PIPES	NO. OF PIPES	DIAM. OF PIPES
1	12"	1	12"	1	12"
2	12"	2	12"	2	12"
3	12"	3	12"	3	12"
4	12"	4	12"	4	12"
1	18"	1	18"	1	18"
2	18"	2	18"	2	18"
3	18"	3	18"	3	18"
4	18"	4	18"	4	18"
1	24"	1	24"	1	24"
2	24"	2	24"	2	24"
3	24"	3	24"	3	24"
4	24"	4	24"	4	24"
1	30"	1	30"	1	30"
2	30"	2	30"	2	30"
3	30"	3	30"	3	30"
4	30"	4	30"	4	30"
1	36"	1	36"	1	36"
2	36"	2	36"	2	36"
3	36"	3	36"	3	36"
4	36"	4	36"	4	36"
1	42"	1	42"	1	42"
2	42"	2	42"	2	42"
3	42"	3	42"	3	42"
4	42"	4	42"	4	42"
1	48"	1	48"	1	48"
2	48"	2	48"	2	48"
3	48"	3	48"	3	48"
4	48"	4	48"	4	48"
1	54"	1	54"	1	54"
2	54"	2	54"	2	54"
3	54"	3	54"	3	54"
4	54"	4	54"	4	54"
1	60"	1	60"	1	60"
2	60"	2	60"	2	60"
3	60"	3	60"	3	60"
4	60"	4	60"	4	60"
1	66"	1	66"	1	66"
2	66"	2	66"	2	66"
3	66"	3	66"	3	66"
4	66"	4	66"	4	66"
1	72"	1	72"	1	72"
2	72"	2	72"	2	72"
3	72"	3	72"	3	72"
4	72"	4	72"	4	72"