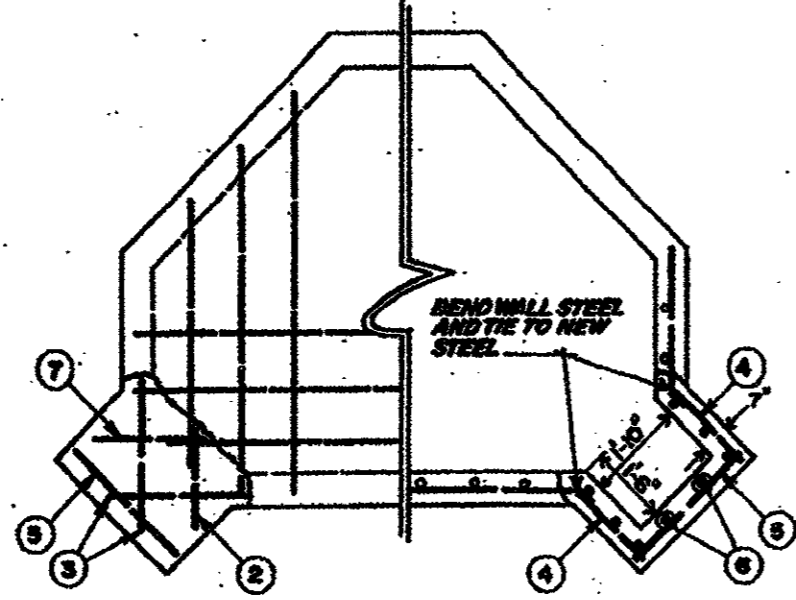
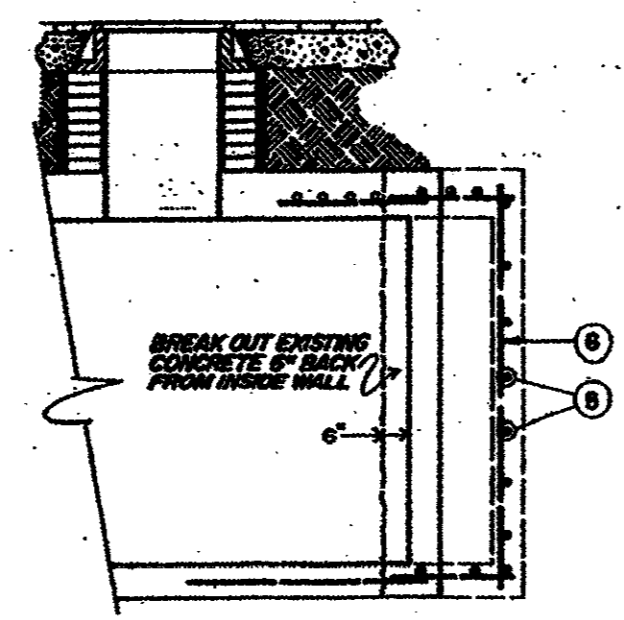


TYPICAL ROOF



TYPICAL FLOOR / WALL

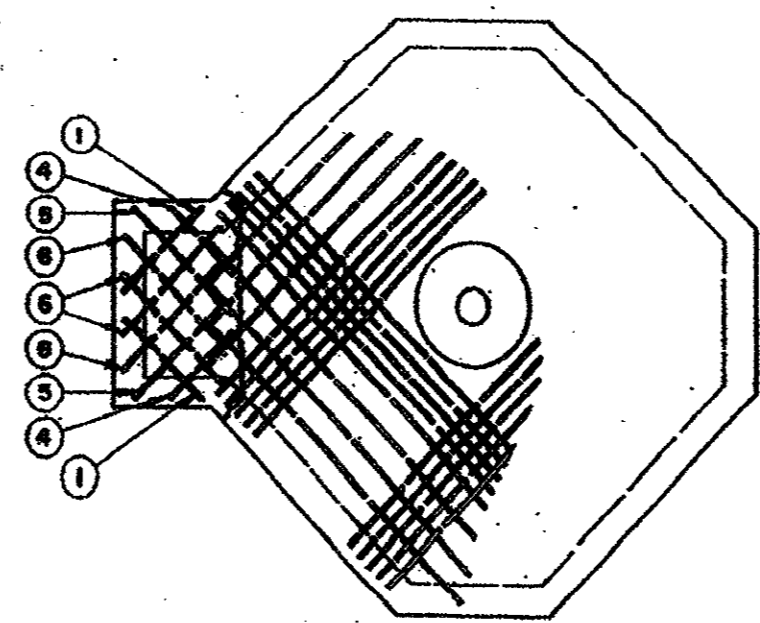


FLOOR / ROOF / WALL VIEW

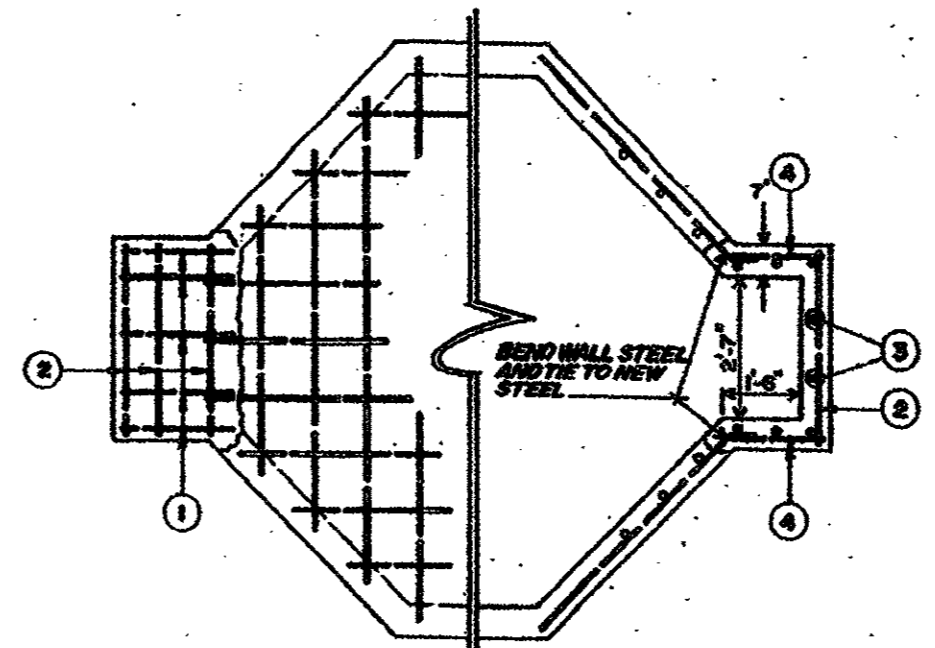
ALL REINFORCING BARS #5						
ITEM	LENGTH			QUANTITY		
	FT.	IN.	FRAM.	WALL	ROOF	TOTAL
1	2	9			4	4
2	2	3	1		6	7
3	3	0	2			2
4	2	0	2	10	2	22
5	2	11	1	6	1	8
6	7	3		8		8
7	2	5	1			1

DEEP PANELS ON NEW OR EXISTING TYPE
"C" AND "B" - See Job Sketch

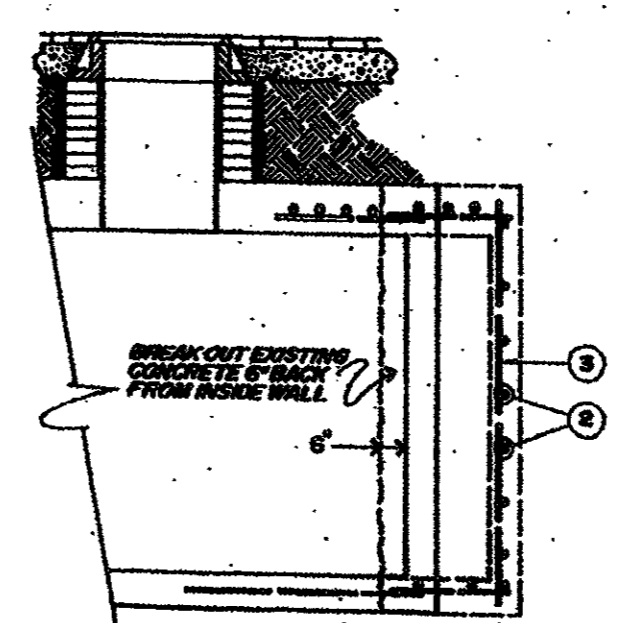
DETAIL #2



TYPICAL ROOF



TYPICAL FLOOR / WALL



FLOOR / ROOF / WALL VIEW

ALL REINFORCING BARS #5						
ITEM	LENGTH			QUANTITY		
	FT.	IN.	FRAM.	WALL	ROOF	TOTAL
1	2	3	5		2	7
2	3	6	3	7		10
3	7	3		8		8
4	1	9		14	2	16
5	2	6			2	2
6	2	9			4	4

DEEP PANELS ON NEW OR EXISTING TYPE
"B", "C" AND "D" - See Job Sketch

AS-BUILT
NOVEMBER 4, 2004

NOTE:
THESE PLANS HAVE BEEN REVISED
TO CONFORM WITH CONSTRUCTION
RECORDS PROVIDED BY CONTRACTOR.

TU ELECTRIC		UNIT ID	ESTIMATE	W.A.	DATE	APP. PRN	DATE	W.A.	NO.	REVISION DESCRIPTION	DRANN	CH.	APP.	APP.
SCALE: (H=10 SCALE) (V=10 SCALE)		LIST OF DRAWINGS												
NETWORK UNDERGROUND APPURTENANCE SHEETS														
MISCELLANEOUS DETAILS														
E-NUA-1 SHEET NO.														
		DATE	05-12-92	DRAWN	CH. JRC	ENG.	JRC	APP.	JES	APP.	PRN	W.A.	NO.	DATE

© Copyright 2005 Broclette/Davis/Drake, Inc. All Rights Reserved. No part of this drawing may be reproduced, stored in a retrieval system, or used in any form without the express written authorization of Broclette/Davis/Drake, Inc. is prohibited.