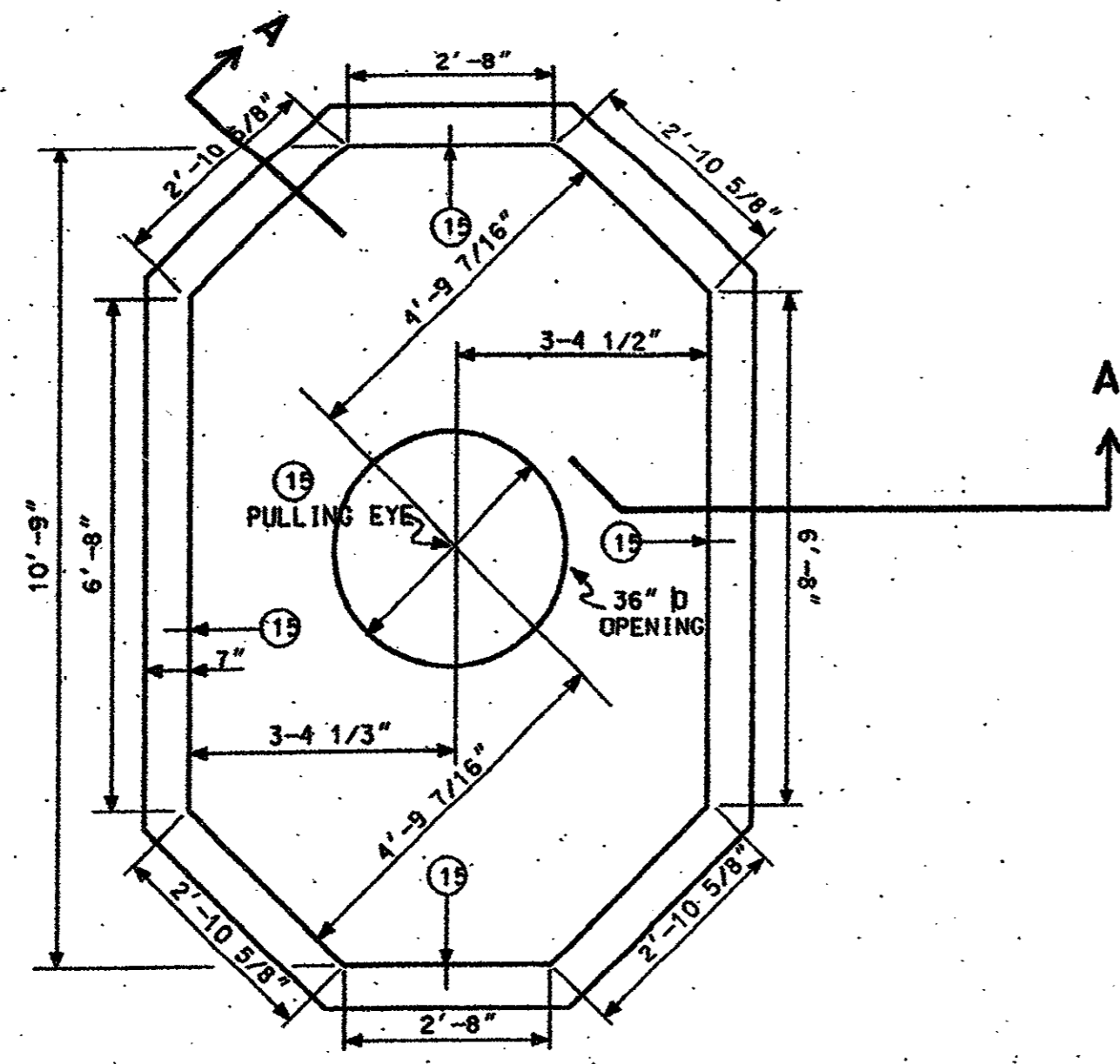
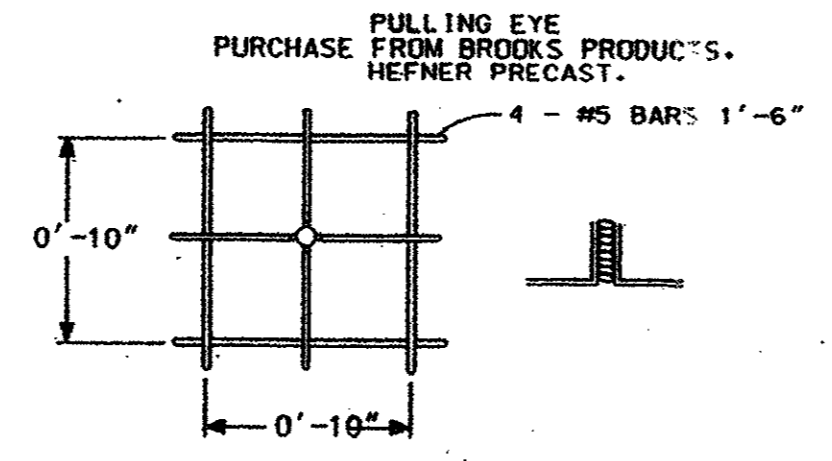


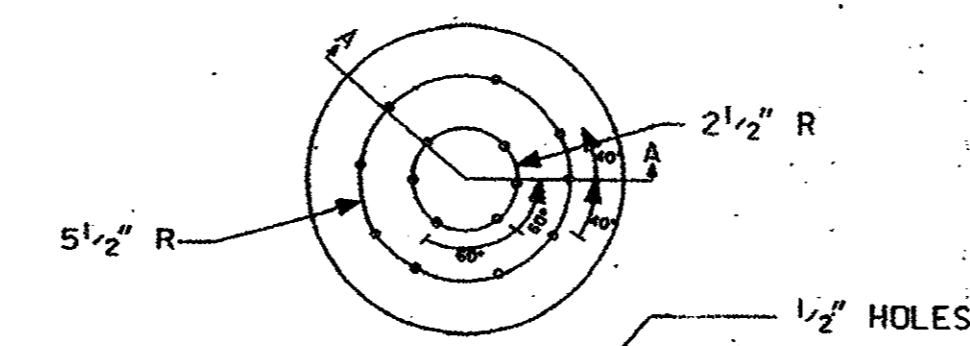
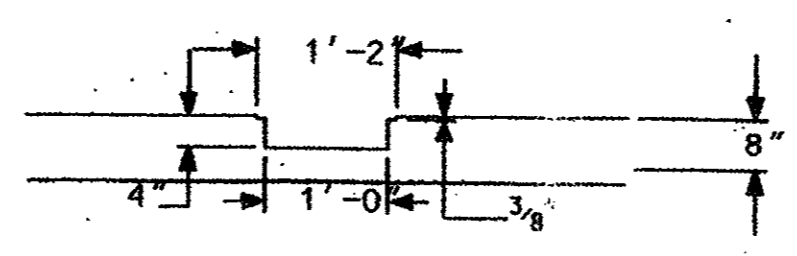
DETAIL # 7



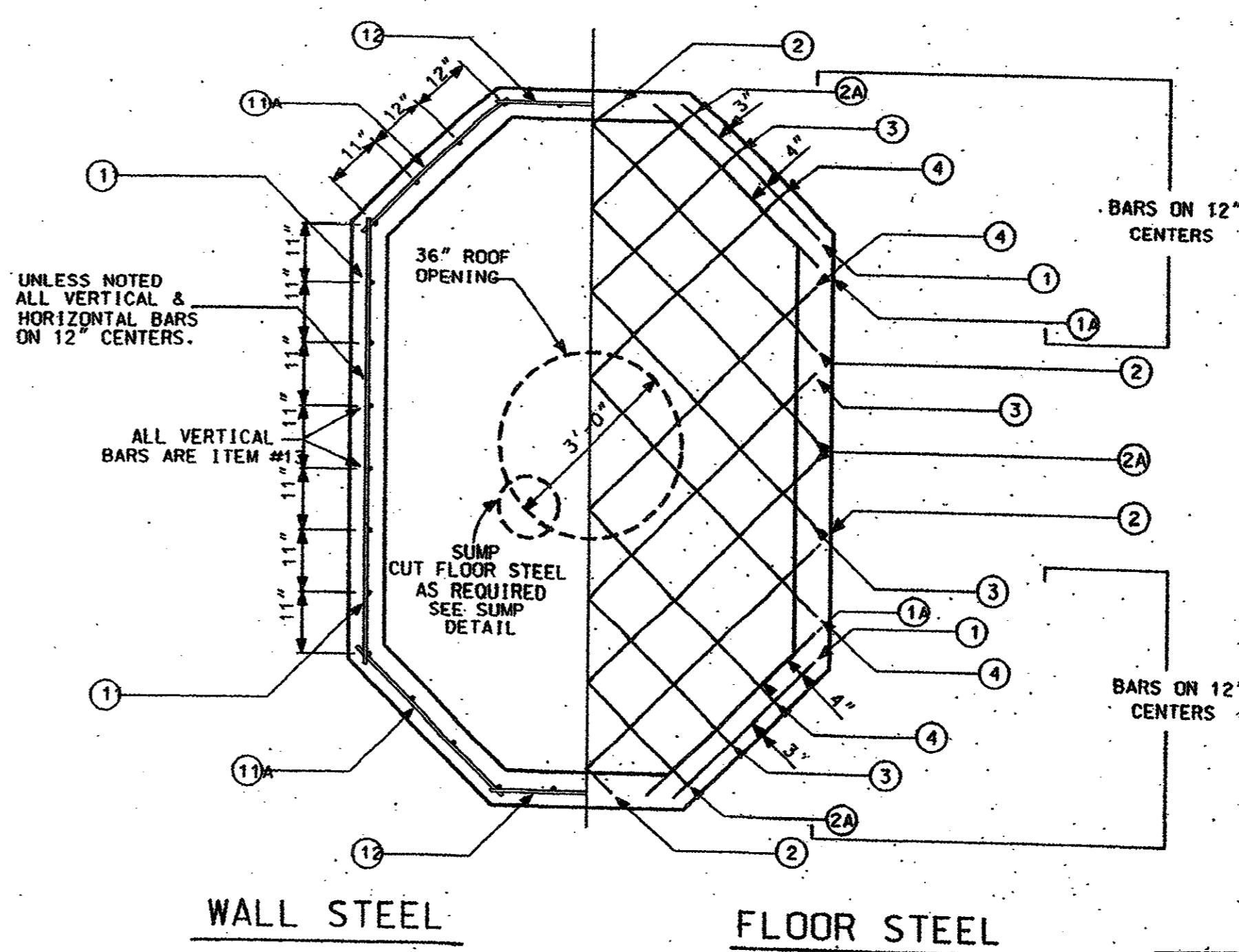
PLAN VIEW



PULLING EYE DETAIL
5 REQUIRED



SUMP DETAIL

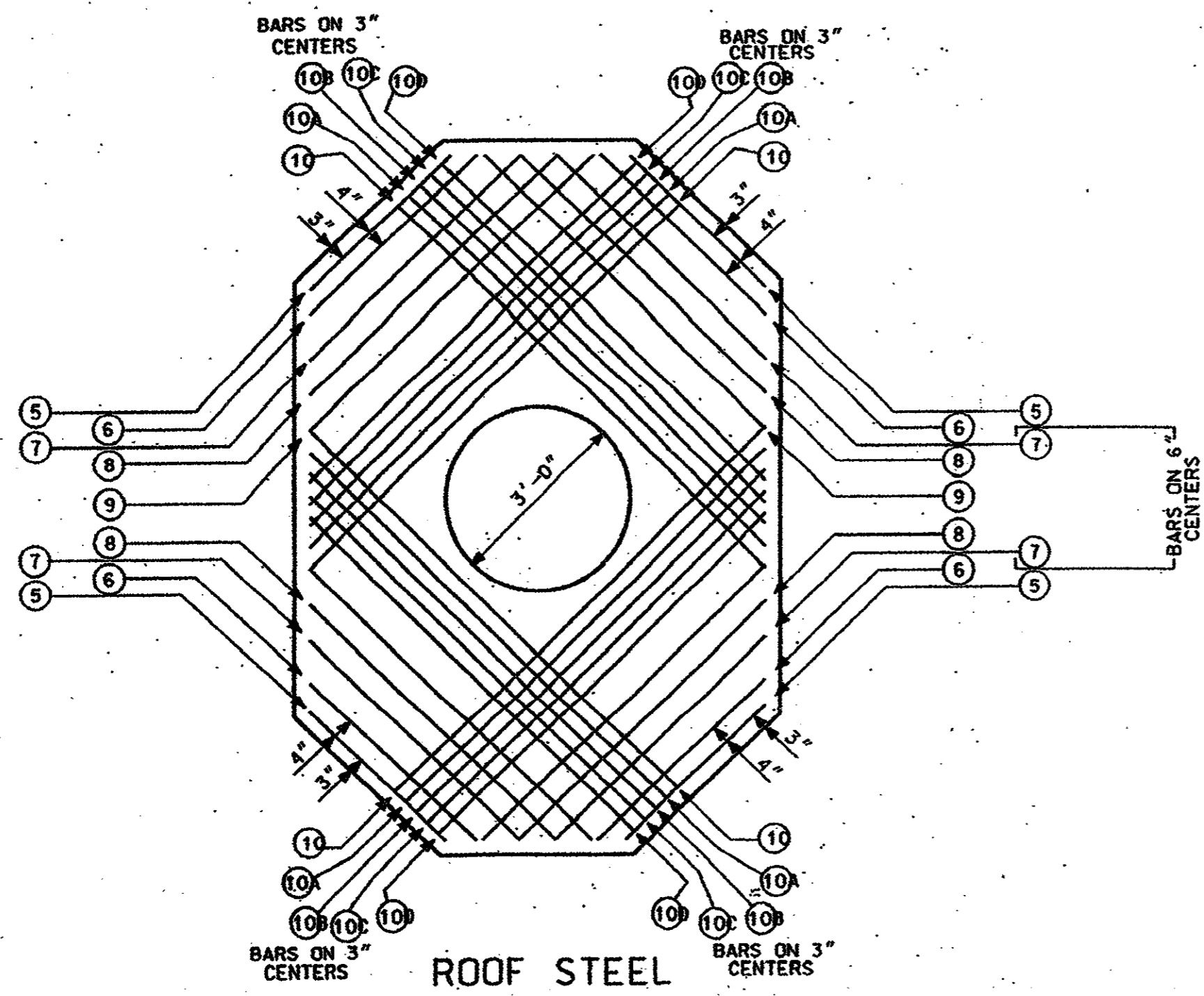


WALL STEEL

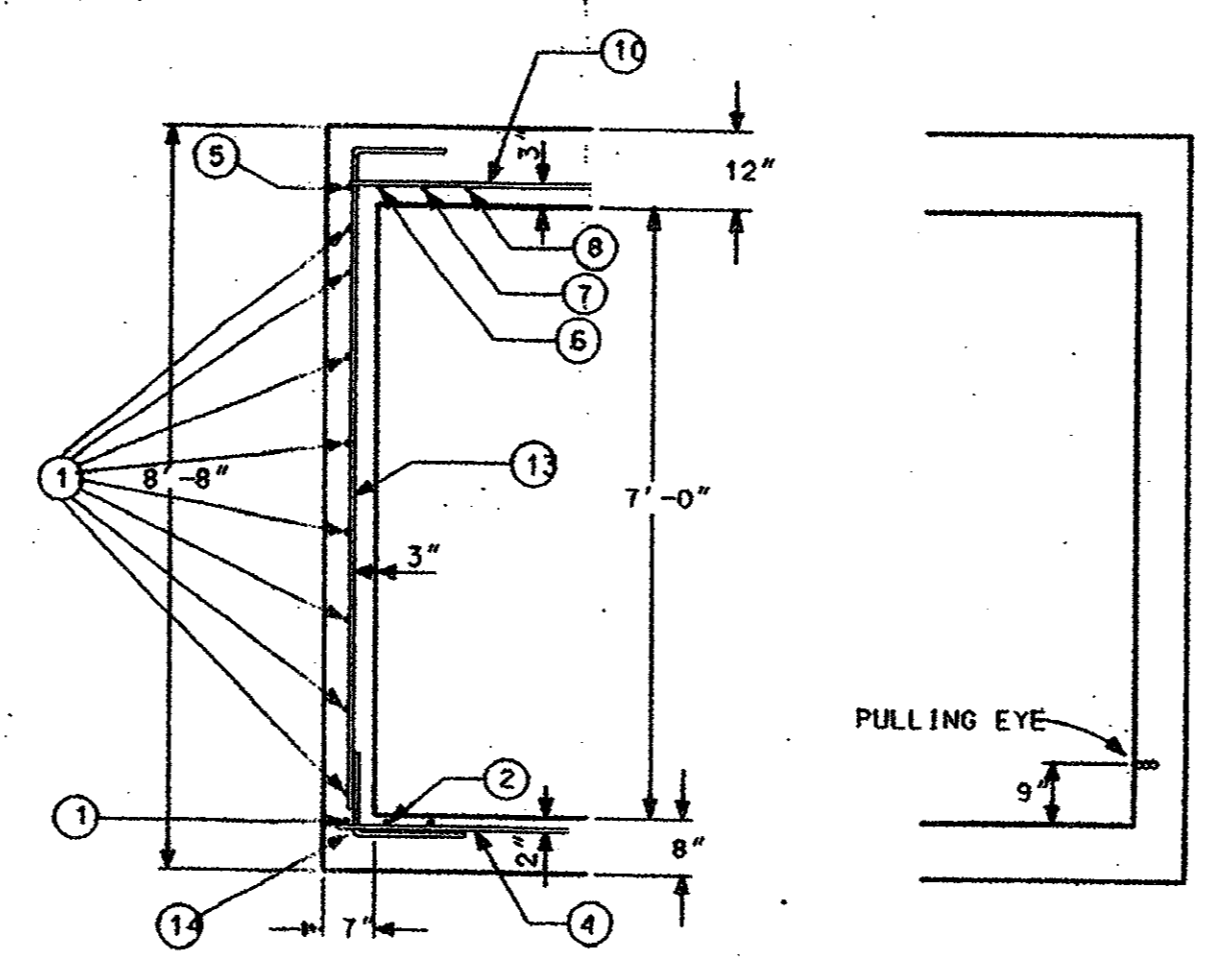
FLOOR STEEL

AS-BUILT
NOVEMBER 4, 2004

NOTE:
THESE PLANS HAVE BEEN REVISED
TO CONFORM WITH CONSTRUCTION
RECORDS PROVIDED BY CONTRACTOR.



ROOF STEEL



SECTION A - A

"TYPE - 2-WAY"
10'-9" X 6'-9" X 7'-0"

MARK	LENGTHS		QUANTITY				SHAPE	SIZE
	FT.	IN.	FLOOR	WALLS	ROOF	TOTAL		
1	3	13	4			13'-0"	ST.	#5
1A	3	10	4			15'-4"	ST.	#5
2	5	10	4			23'-4"	ST.	#5
2A	7	7	4			30'-4"	ST.	#5
3	8	7	4			34'-4"	ST.	#5
4	9	7	4			38'-4"	ST.	#5
5	3	2			4	12'-8"	ST.	#5
6	3	10			4	15'-4"	ST.	#5
7	4	10			4	19'-4"	ST.	#5
8	5	8			4	22'-8"	ST.	#5
9	6	6			4	26'-0"	ST.	#5
10	8	6			4	34'-0"	ST.	#5
10A	8	3			4	33'-0"	ST.	#5
10B	8	0			4	31'-0"	ST.	#5
10C	7	9			4	30'-0"	ST.	#5
10D	7	6			4	30'-0"	ST.	#5
11	7	4		16		117'-4"	ST.	#5
11A	3	5		32		109'-4"	ST.	#5
12	3	2		16		50'-8"	ST.	#5
13	8	9		36		315'-0"	7'-8"	#5
14	3	4	36		4	120'-0"	2'-1 1/2"	#5
15			1	4		5'-0"	PULLING EYE	1 1/2" X 8"
CONCRETE			1.94 CU.YD	3.35 CU.YD	3.85 CU.YD	11.14 CU.YD	3000 PSI	
MANHOLE COVER & FRAME TU STD 310-050						1 EA.		
VENDOR: WESTERN IRON WORKS, 21 EAST SIXTH ST. SAN ANGELO TX. 76903								3'-0" OPENING
OR: HEFNER PRECAST, DIVISION OF BROOKS PRODUCTS, 2229 NORTH MAIN, CLEBURNE TX. 76031								
STEEL TO CONFORM TO THE LATEST STANDARD SPECIFICATION FOR DEFORMED BILLET-STEEL BARS FOR CONCRETE REINFORCEMENT.								
SEE DETAIL #9 FOR CONCRETE SPECIFICATION								
GENERAL NOTES SIMILAR TO TYPE "B" MANHOLE, SHEET #1.								

TU ELECTRIC

CD

SCALE (H=)	LIST OF DRAWINGS	ESTIMATE	DWG TYPE	UNIT ID	REVISION DESCRIPTION	DATE	NO.	APP. PIN	APP. JES	APP. JRC	CH. JRC	OWN. MED	DATE	CH.	APP.
(V=1/2"=1')															

NETWORK UNDERGROUND
APPURTENANCE SHEETS
MANHOLE DETAILS

E NUA-1
SHEET NO.

Copyright 2003 Brooks/Davis/Drake, Inc. All Rights Reserved.
 This drawing is the property of Brooks/Davis/Drake, Inc.
 No part of this drawing may be reproduced or transmitted
 in any form or by any means, electronic, mechanical,
 photocopying, recording, or by any information storage
 and retrieval system, without the prior written
 authorization of Brooks/Davis/Drake, Inc. is prohibited.