

DRAINAGE CALCULATIONS

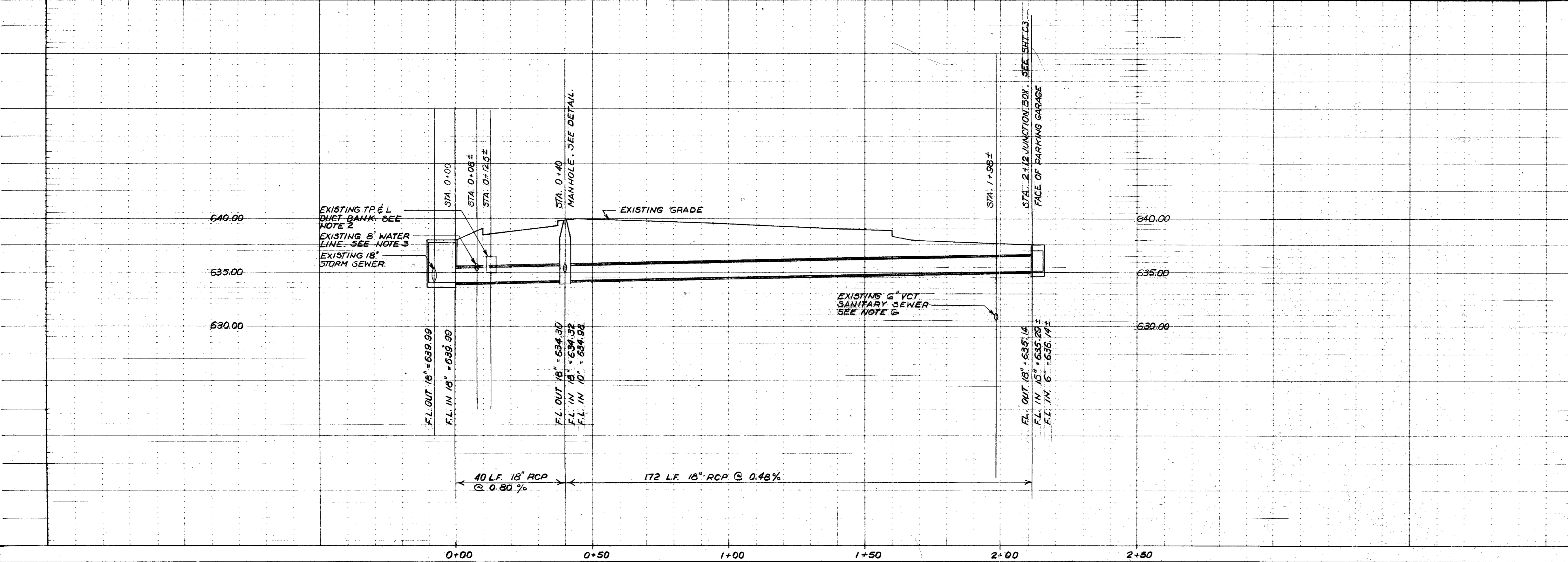
DRAINAGE AREA NO.	AREA (ac)	C	INTENSITY (in/hr)	Q INLET	Q PIPE
1	0.87	1.0	5.1	4.4	4.4
2	0.54	0.9	5.1	2.5	6.9
3	0.46	1.0	5.1	2.3	9.2

NOTES:

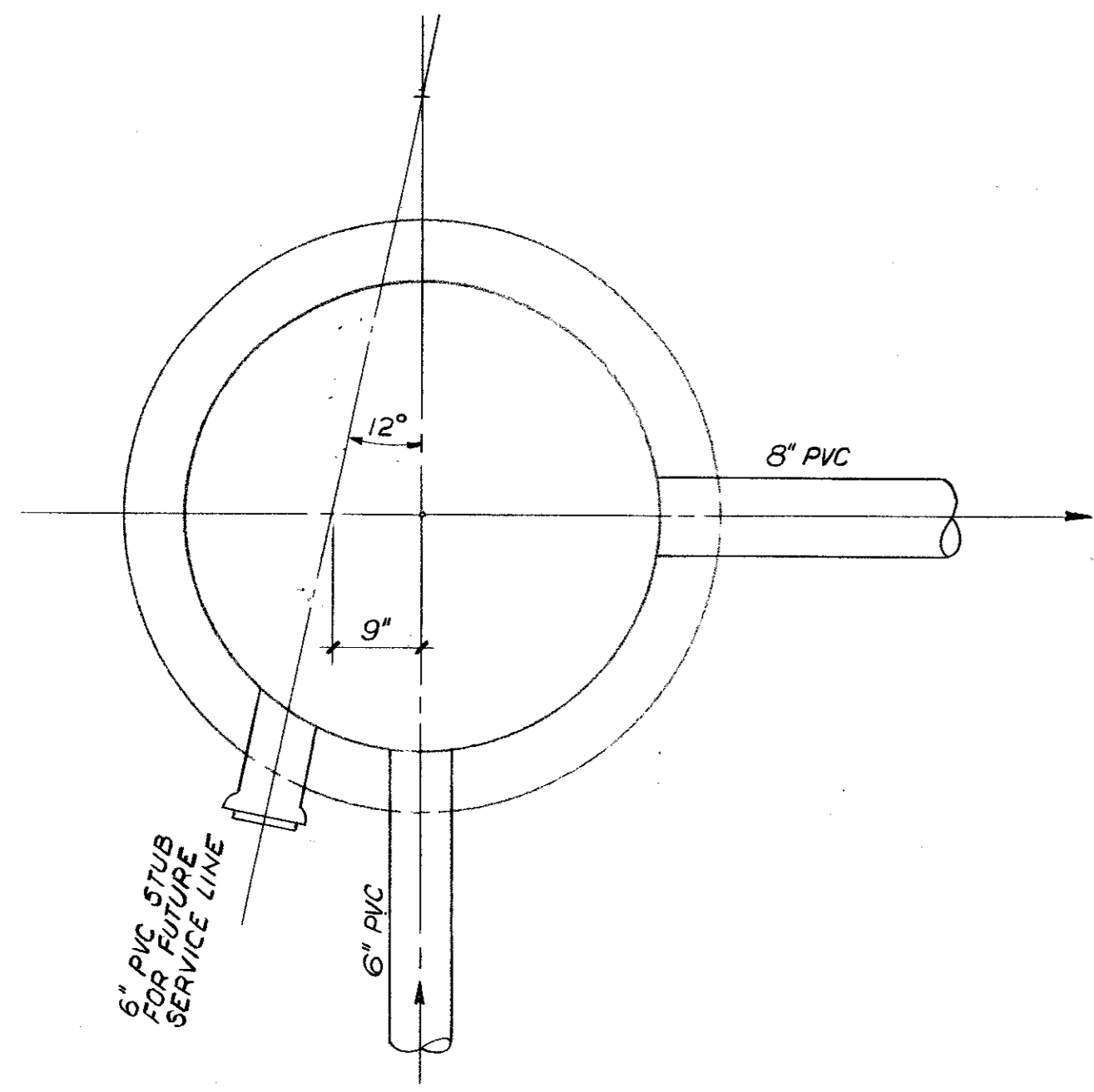
1. PRIOR TO BEGINNING CONSTRUCTION, THE CONTRACTOR SHALL NOTIFY THE TELEPHONE AND POWER COMPANIES AND THE CITY OF ADDISON DEPT. OF PUBLIC WORKS TO FACILITATE LOCATION OF EXISTING INSTALLATIONS AND INSPECTION OF THE WORK.
2. CONTRACTOR SHALL VERIFY EXACT LOCATION AND DEPTH OF TR&L DUCT BANK PRIOR TO BEGINNING CONSTRUCTION. CONTRACTOR SHALL NOTIFY THE ENGINEER IMMEDIATELY OF ANY CONFLICTS BETWEEN EXISTING UTILITIES AND PROPOSED IMPROVEMENTS.
3. CONTRACTOR SHALL VERIFY EXACT LOCATION AND DEPTH OF EXISTING 8" WATER LINE PRIOR TO BEGINNING CONSTRUCTION. CONTRACTOR SHALL NOTIFY ENGINEER IMMEDIATELY OF ANY CONFLICTS BETWEEN EXISTING UTILITIES AND PROPOSED IMPROVEMENTS.
4. EXISTING 10" ROOF DRAIN TO BE RELOCATED. CONTRACTOR SHALL VERIFY EXACT LOCATION AND DEPTH PRIOR TO BEGINNING CONSTRUCTION.
5. CONTRACTOR SHALL VERIFY EXACT LOCATION AND DEPTH OF ELECTRIC POWER CONDUIT PRIOR TO BEGINNING CONSTRUCTION. CONTRACTOR SHALL NOTIFY THE ENGINEER IMMEDIATELY OF ANY CONFLICTS BETWEEN EXISTING UTILITIES AND PROPOSED IMPROVEMENTS.
6. IF THE EXISTING 6" VCT SANITARY SEWER IS CUT FOR INSTALLATION OF NEW STORM DRAIN, IT SHALL BE PLUGGED AT THE FACE OF THE STORM DRAIN TRENCH. OTHERWISE THE EXISTING SANITARY SHALL BE PLUGGED AT THE POINT OF CONNECTION TO THE NEW SANITARY SEWER.
7. CONTRACTOR SHALL RELOCATE EXISTING UTILITIES IN CONFLICT WITH THE PROPOSED IMPROVEMENTS AT THE DIRECTION OF THE UTILITY'S OWNER.



BENCH MARK: "L" ON NORTH END ISLAND AT 14,700 BLOCK DALLAS PARKWAY AND 5000 BLOCK VERDE VALLEY LANE. ELEV. 635.65

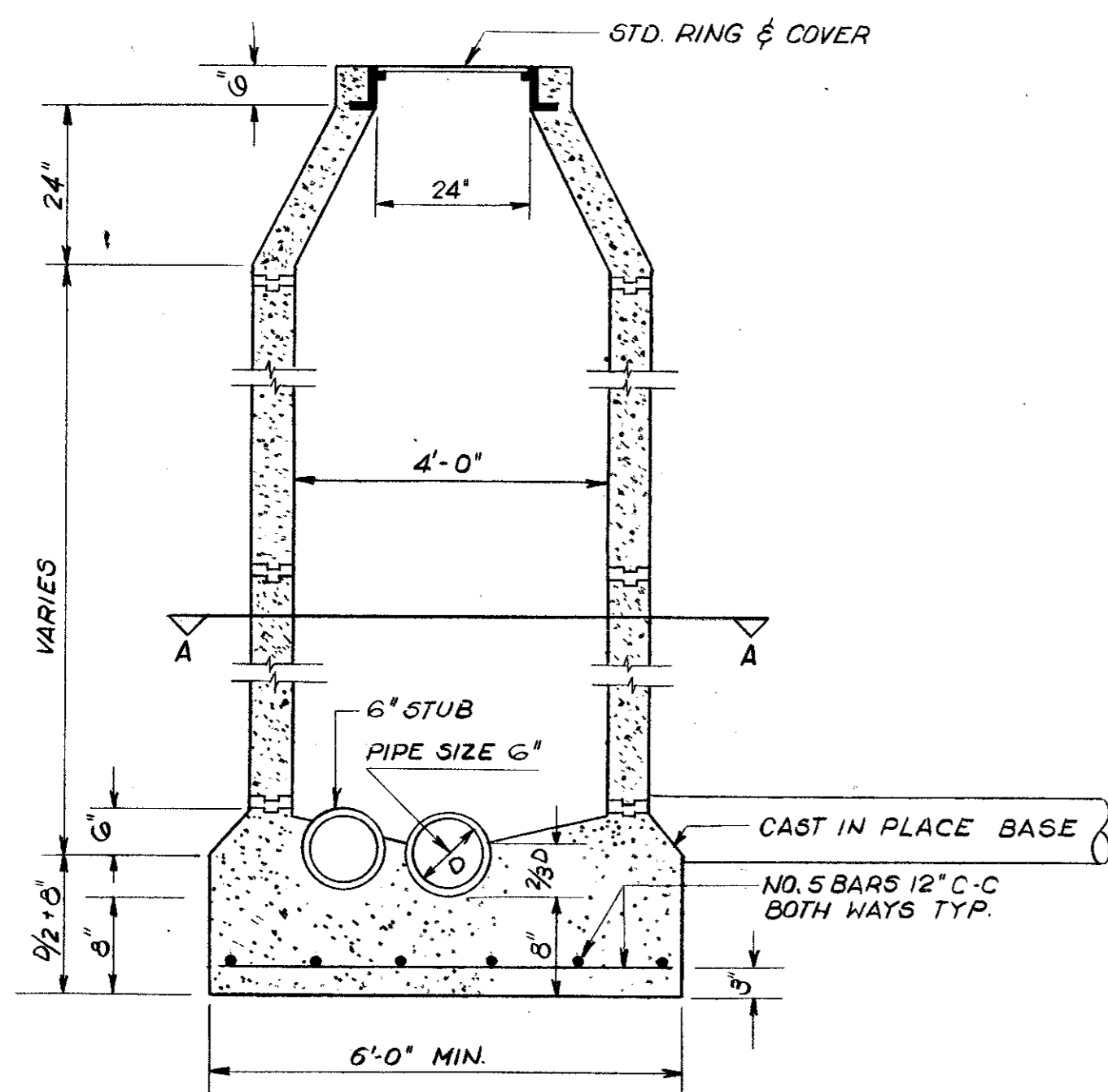


WATER LINE AND STORM SEWER						
14800 QUORUM DRIVE						
THE MURPHREE COMPANY						
CITY OF ADDISON TEXAS						
INTERTECH ENGINEERS, INC.						
DESIGN	DRAWN	DATE	SCALE	NOTES	FILE	NO.
EB	CD	12-1-83	H: 1"=20' V: 1"=5'		83129-100	C2

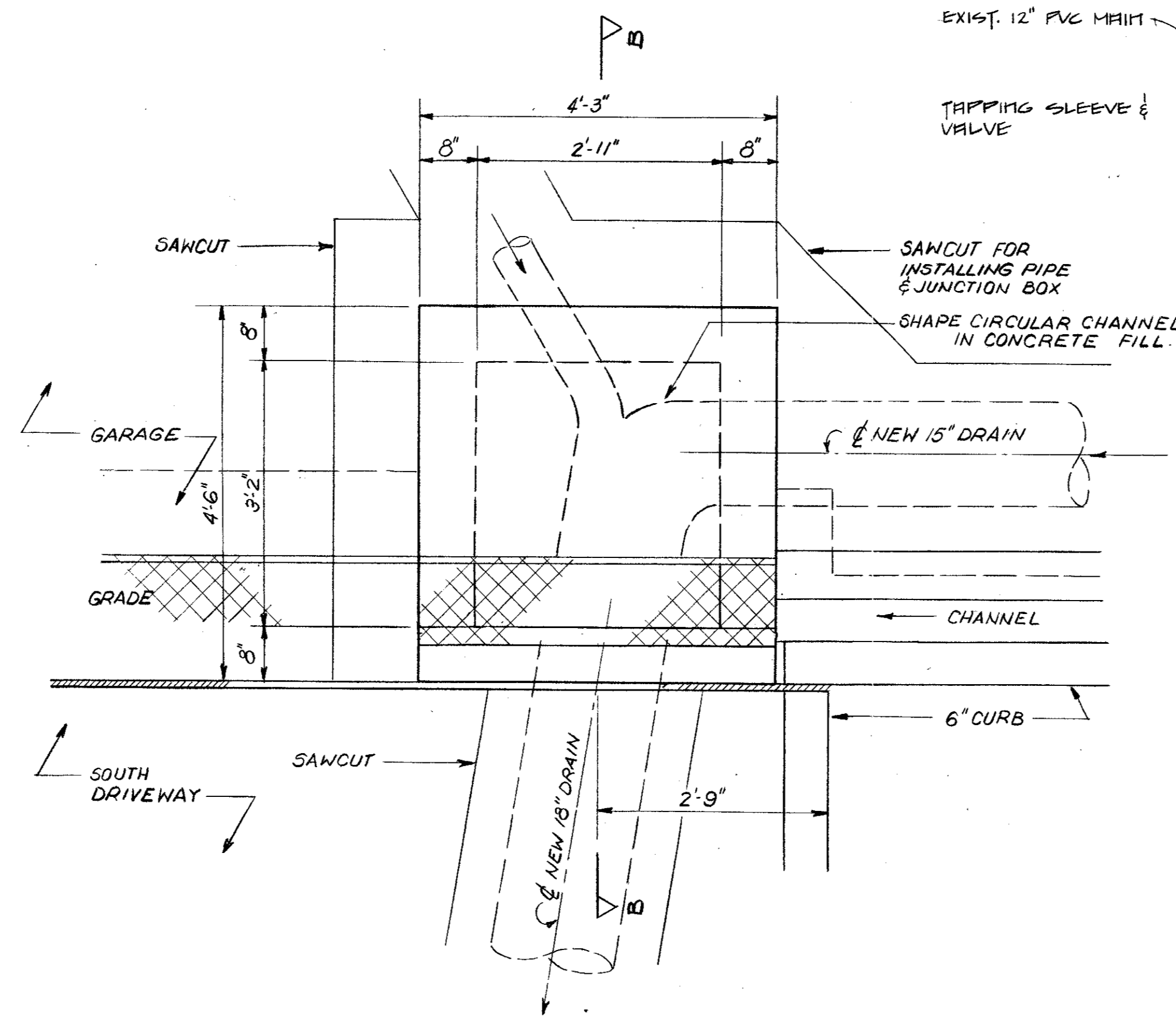


SECTION A-A @ STA. 3+86

SCALE: 3/4" = 1'-0"

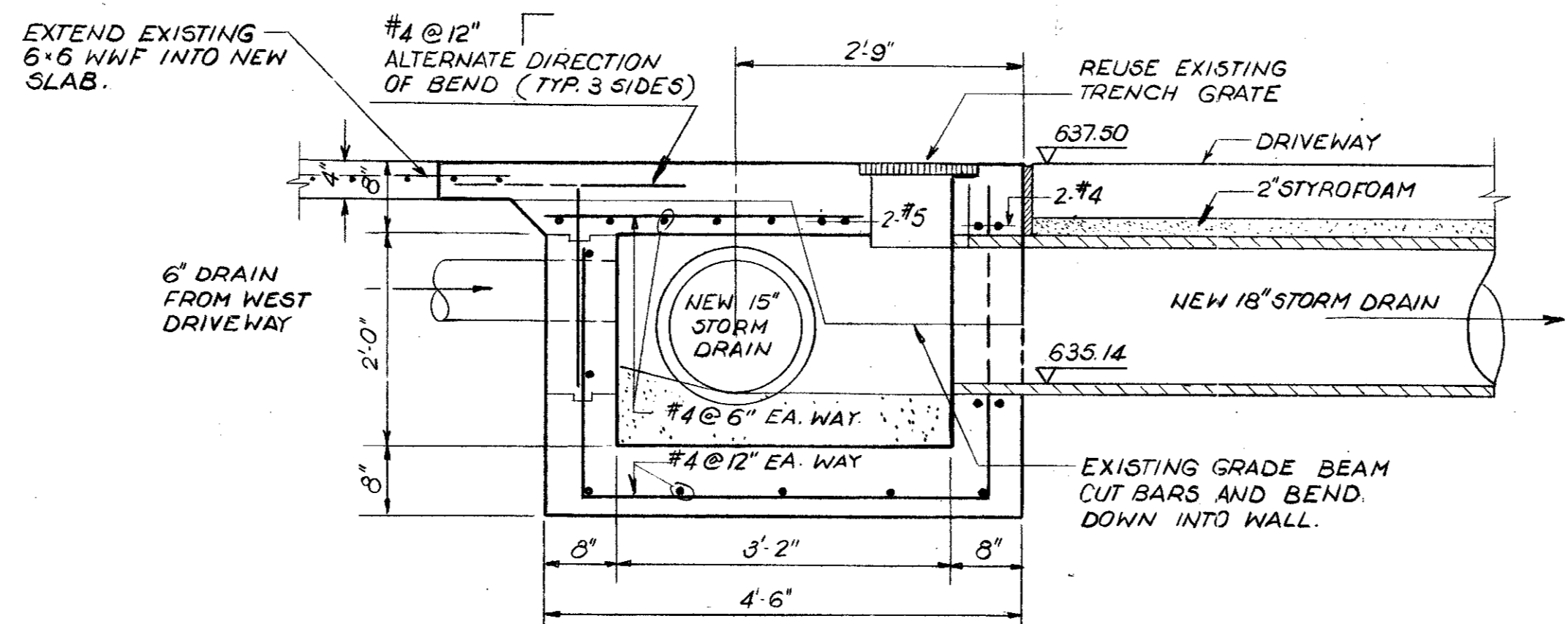


STANDARD PRECAST MH.



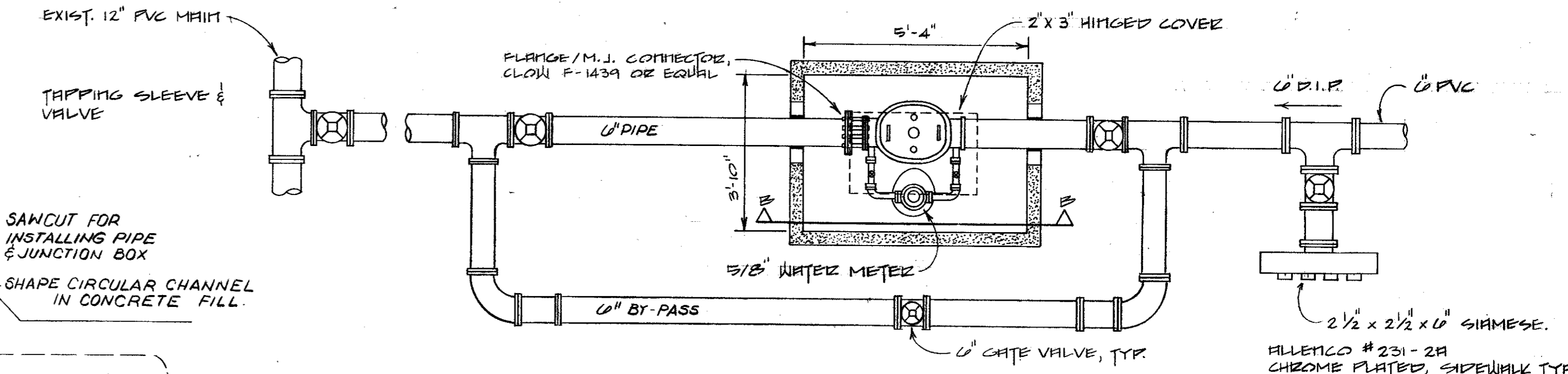
JUNCTION BOX PLAN

SCALE: 3/4" = 1'-0"

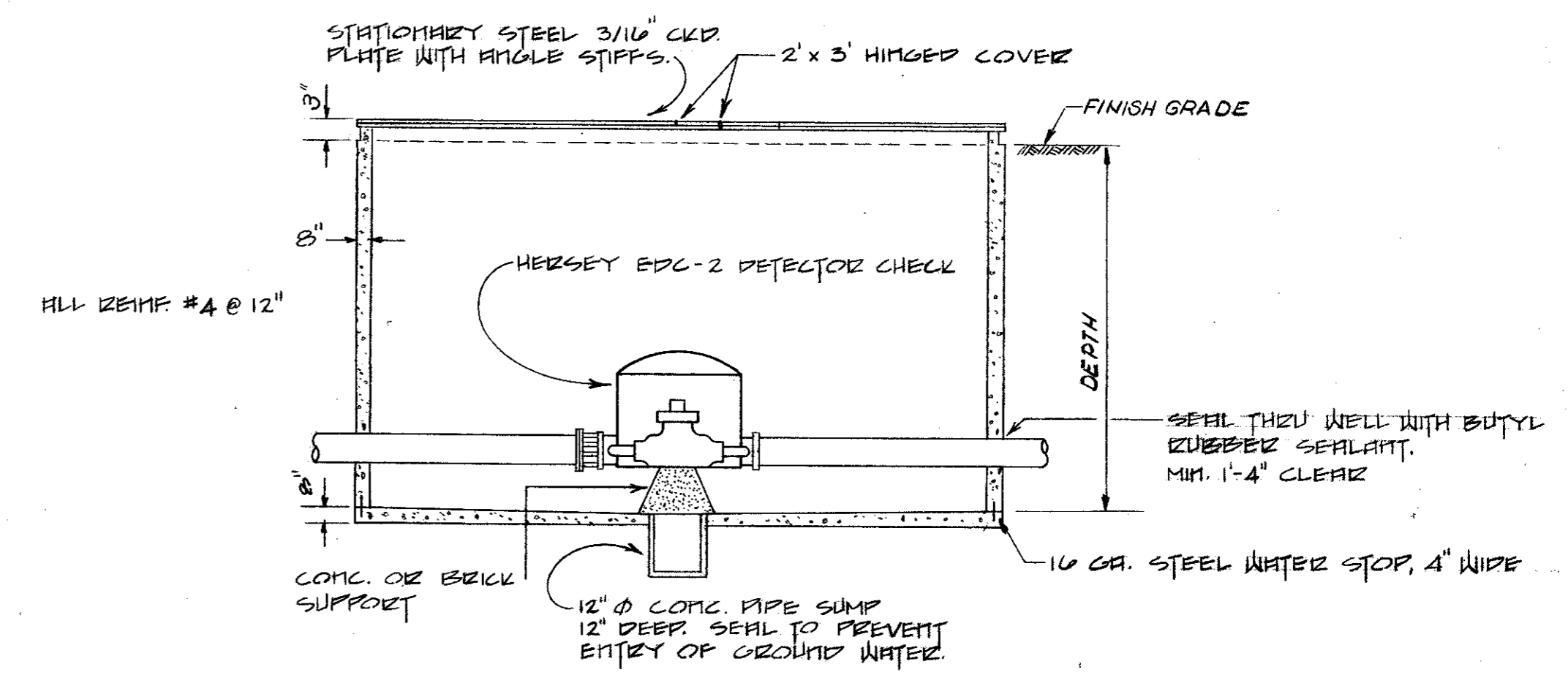


SECTION B-B

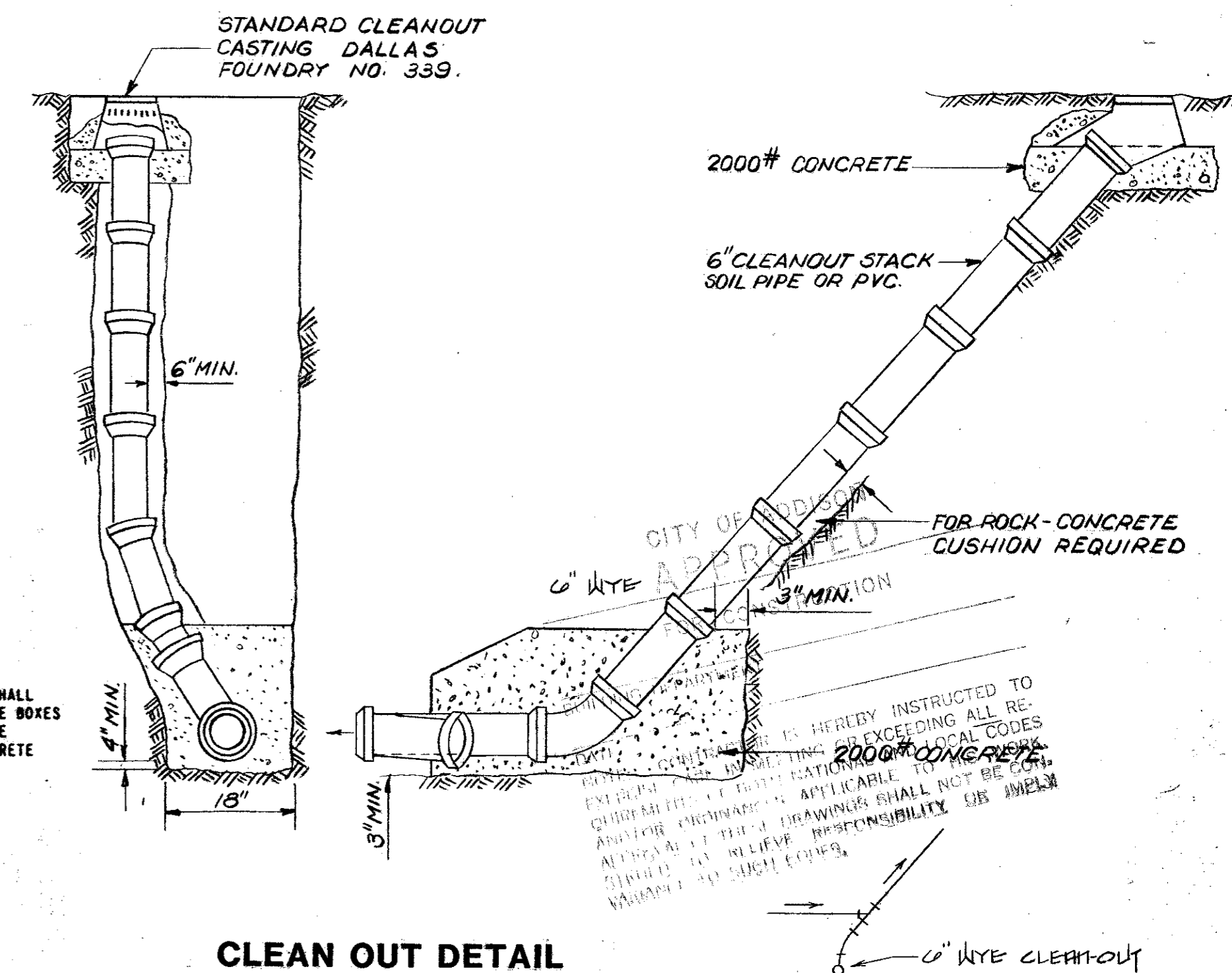
SCALE: 3/4" = 1'-0"



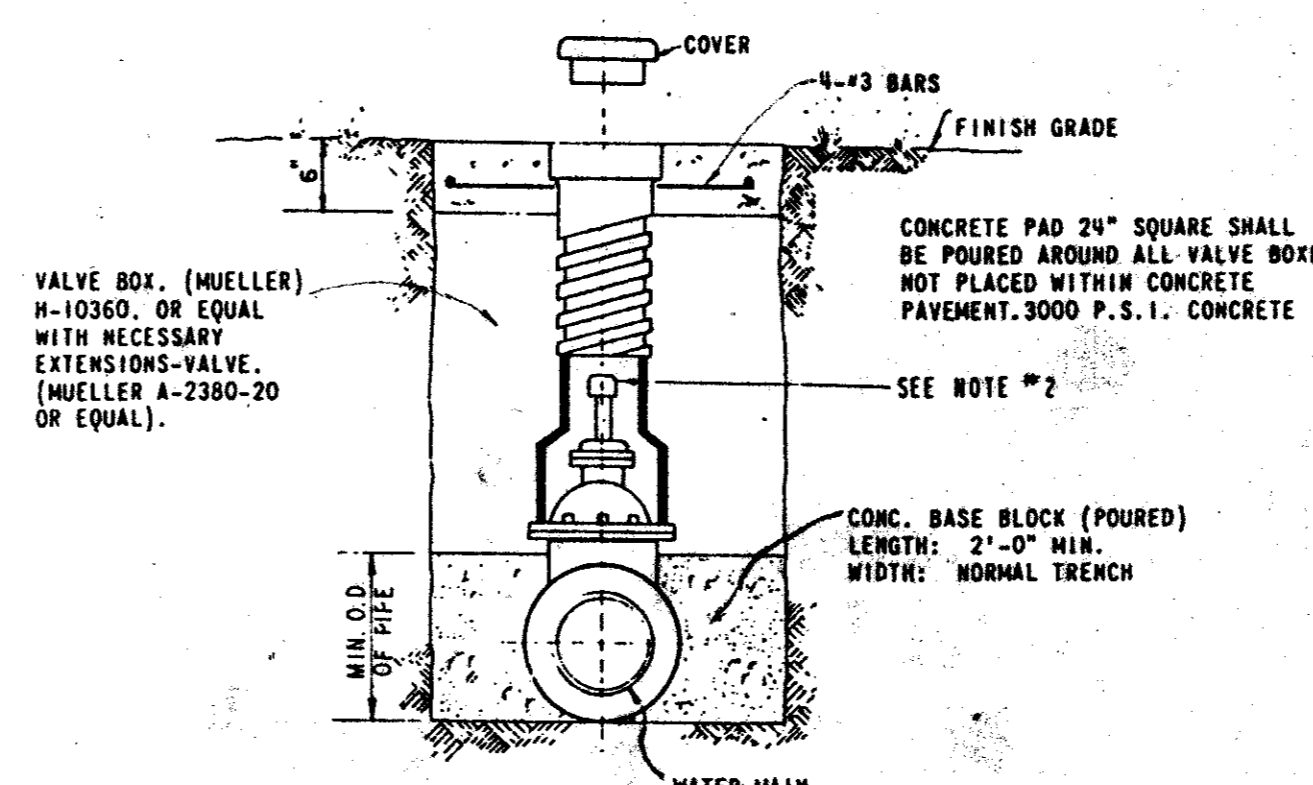
DETECTOR CHECK VAULT DETAIL



SECTION B-B



CLEAN OUT DETAIL



VALVE BOX DETAIL

- NOTE:
- 4-12" BS GATE VALVES SHALL BE IN ACCORDANCE WITH AWWA STANDARD C-509-80 OR LATEST THEREOF. ALL VALVES SHALL BE MUELLER A-2370 OR APPROVED EQUAL.
 - A PERMANENTLY ATTACHED VALVE EXTENSION STEM SHALL BE REQUIRED FOR ANY VALVE WITH OPERATING NUT LOCATED IN EXCESS OF 4 FEET BELOW THE TOP OF VALVE BOX. THIS EXTENSION SHALL BE OF SUFFICIENT LENGTH TO INSURE THAT ITS TOP IS WITHIN 4" OF VALVE BOX LID.

SANITARY WATER & STORM DETAILS					
14800 QUORUM DRIVE					
THE MURPHREE COMPANY					
CITY OF ADDISON TEXAS					
INTERTECH ENGINEERS, INC.					
DESIGN	DRAWN	DATE	SCALE	NOTES	FILE NO.
RFS	PT	12-1-83	AS NOTED		B3129-101
					C3