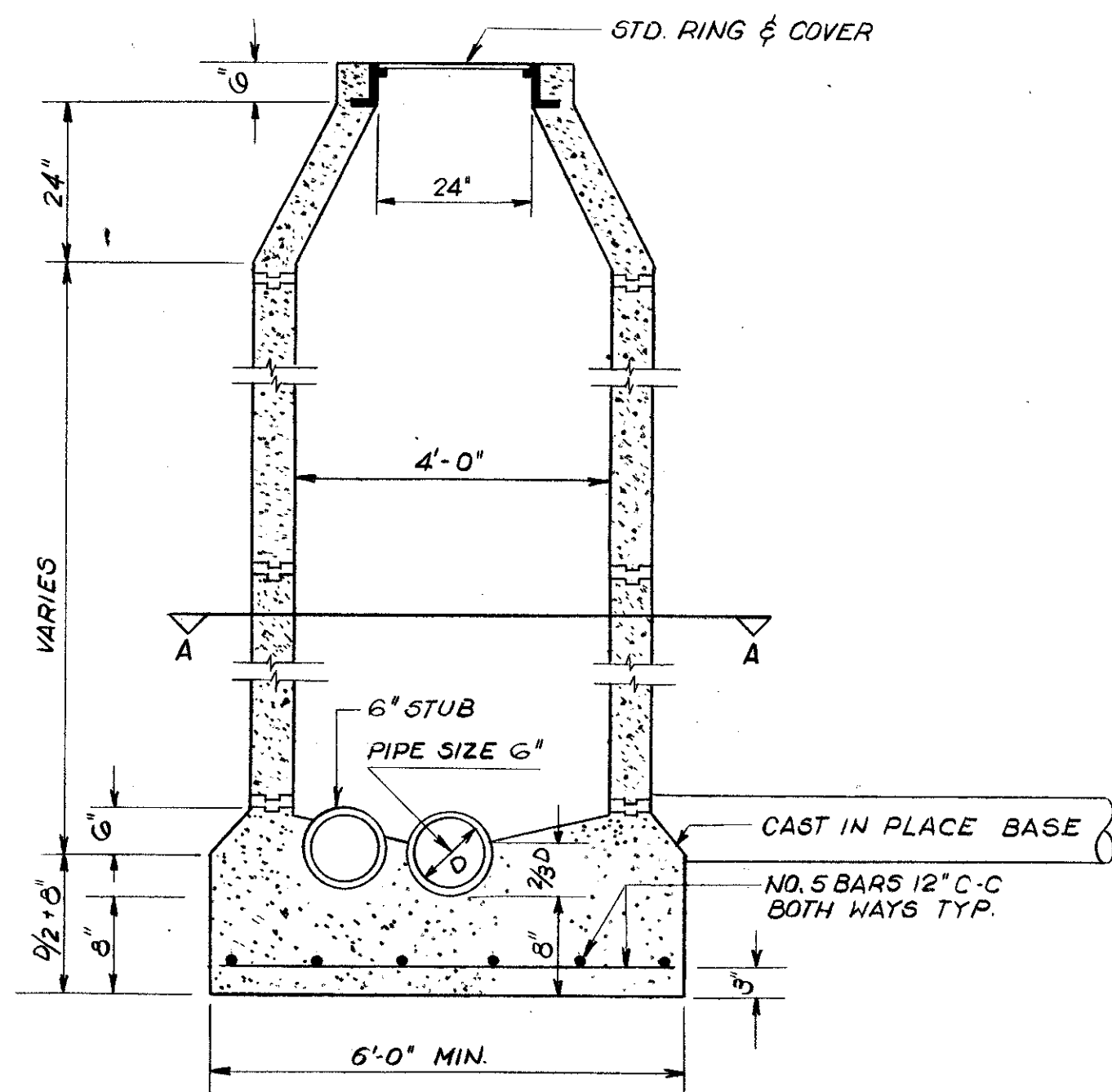
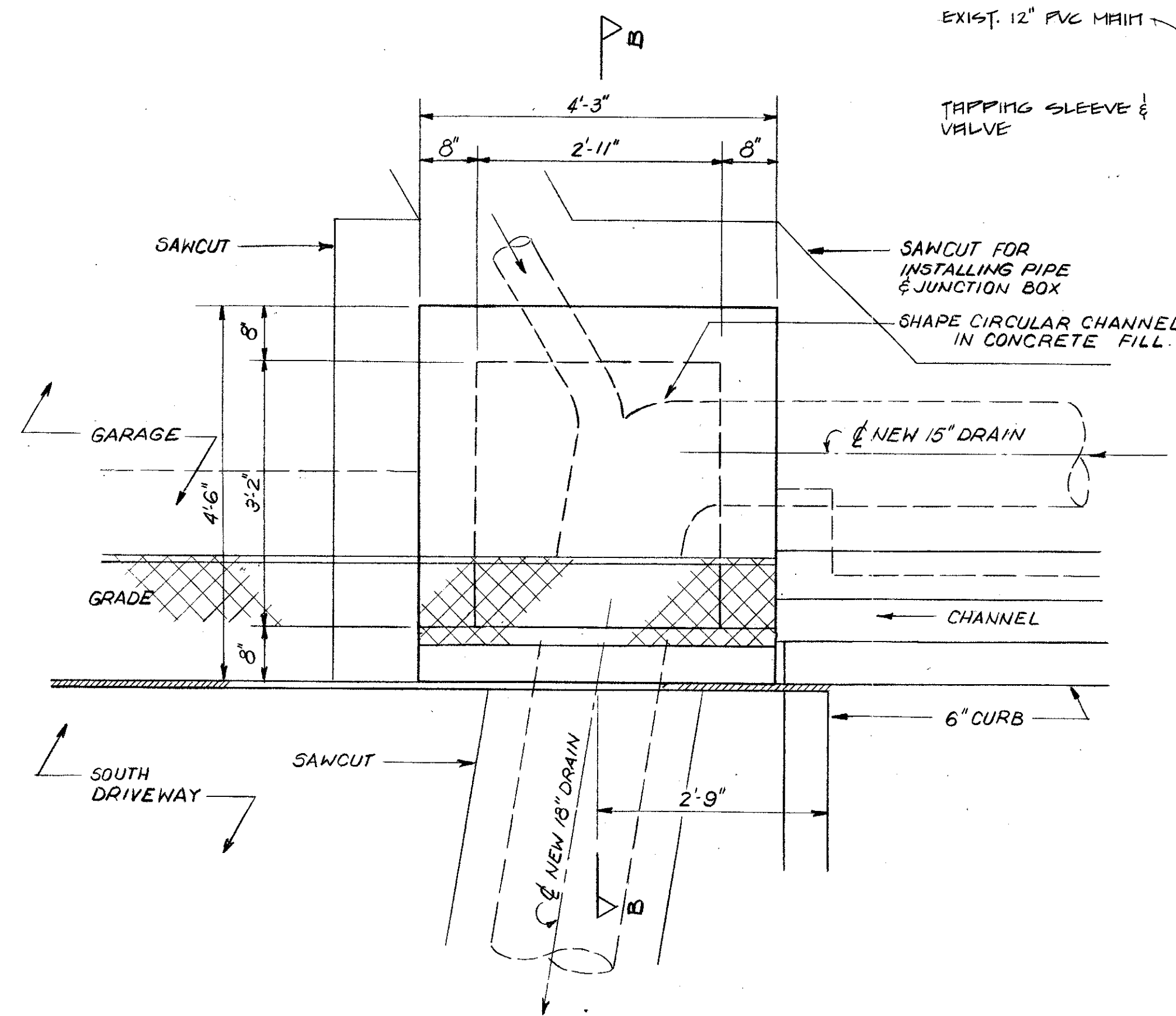


SECTION A-A @ STA. 3+86

SCALE: 3/4" = 1'-0"

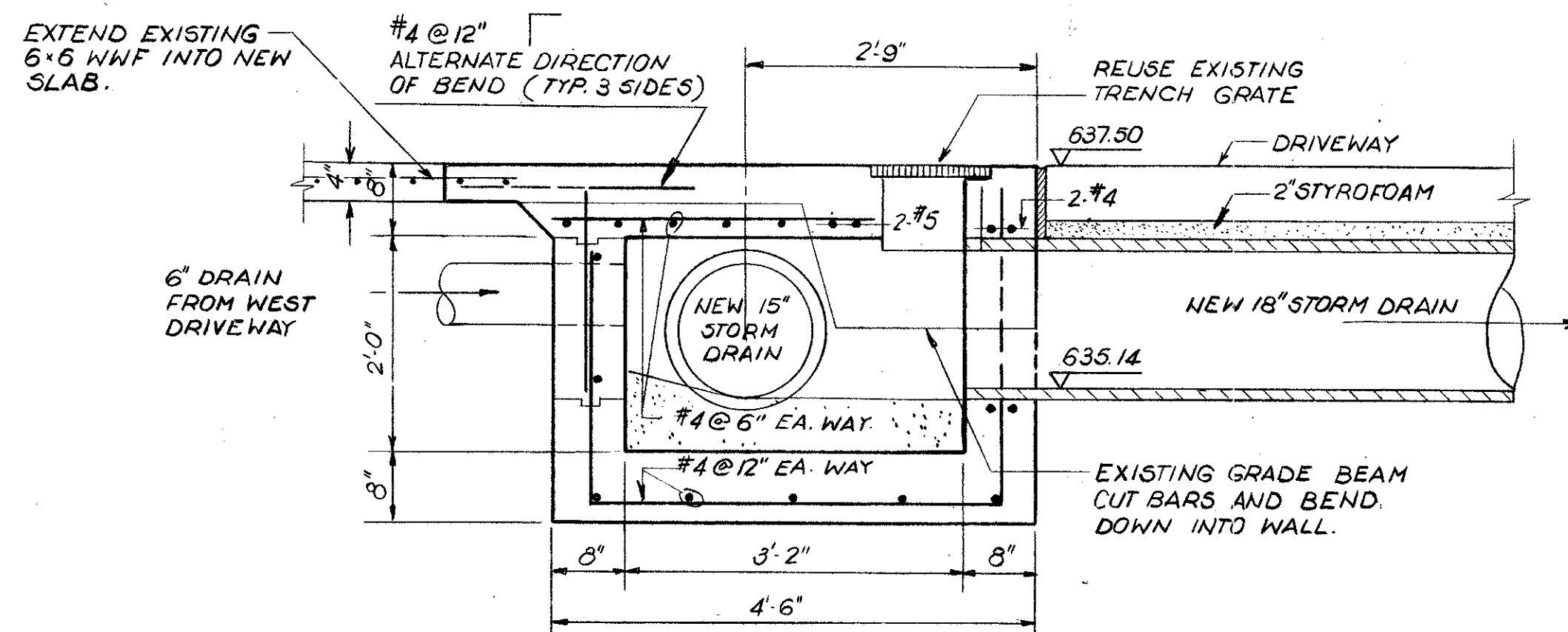


STANDARD PRECAST MH.



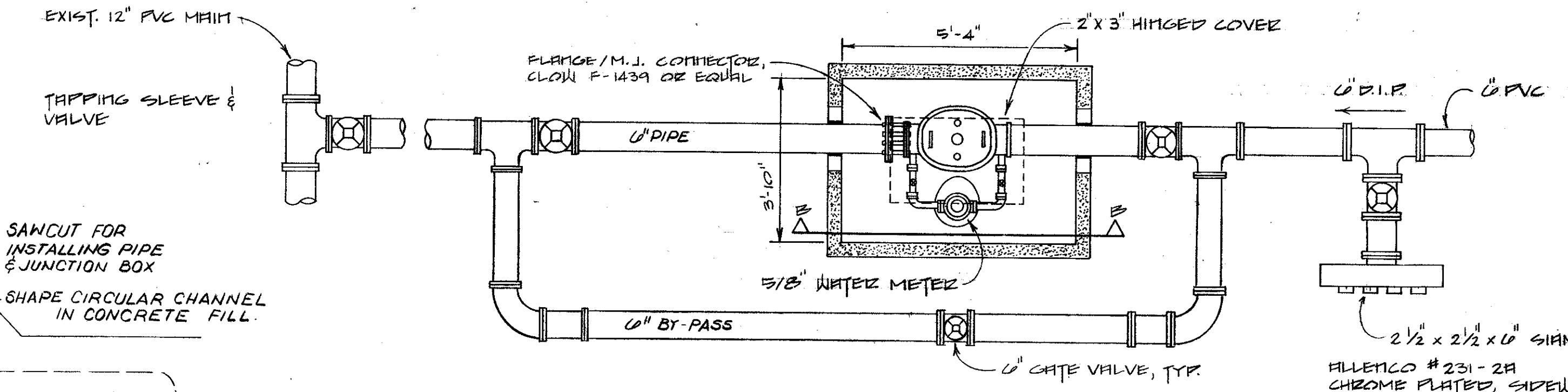
JUNCTION BOX PLAN

SCALE: 3/4" = 1'-0"

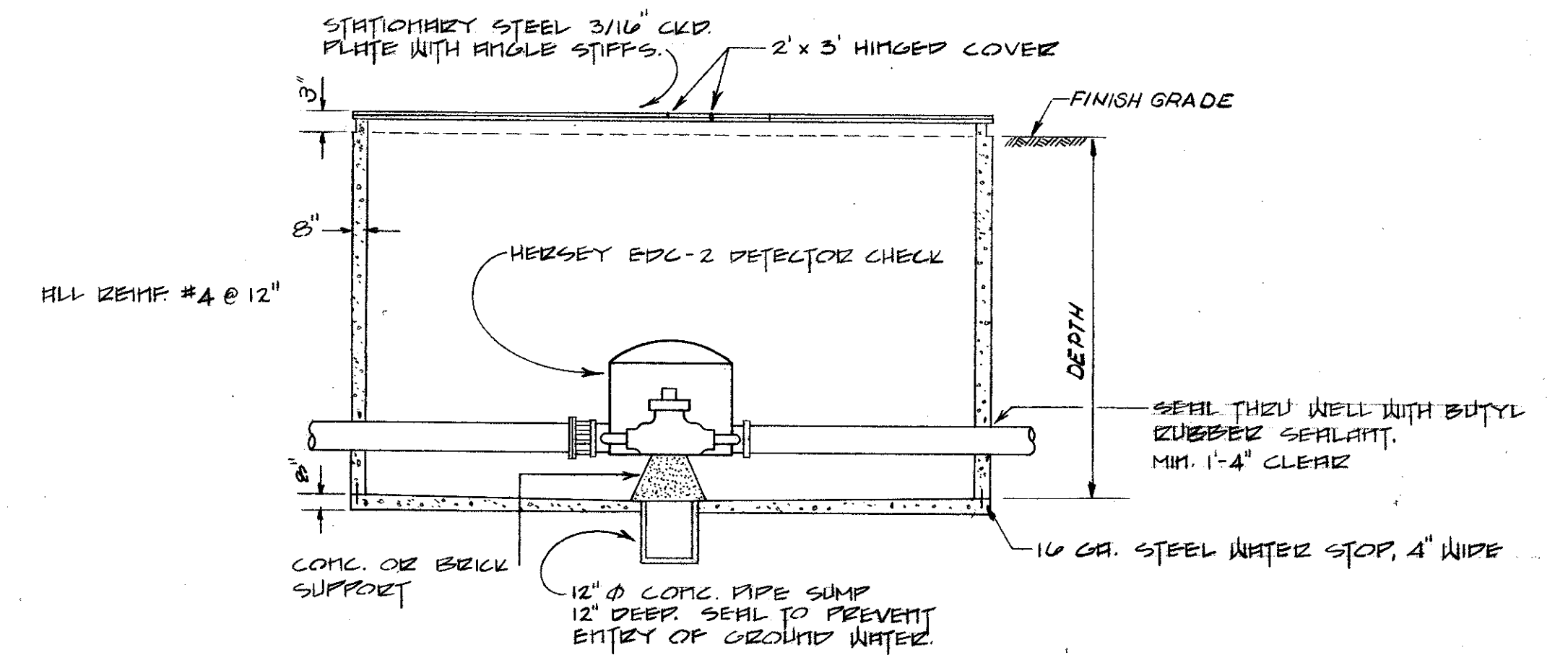


SECTION B-B

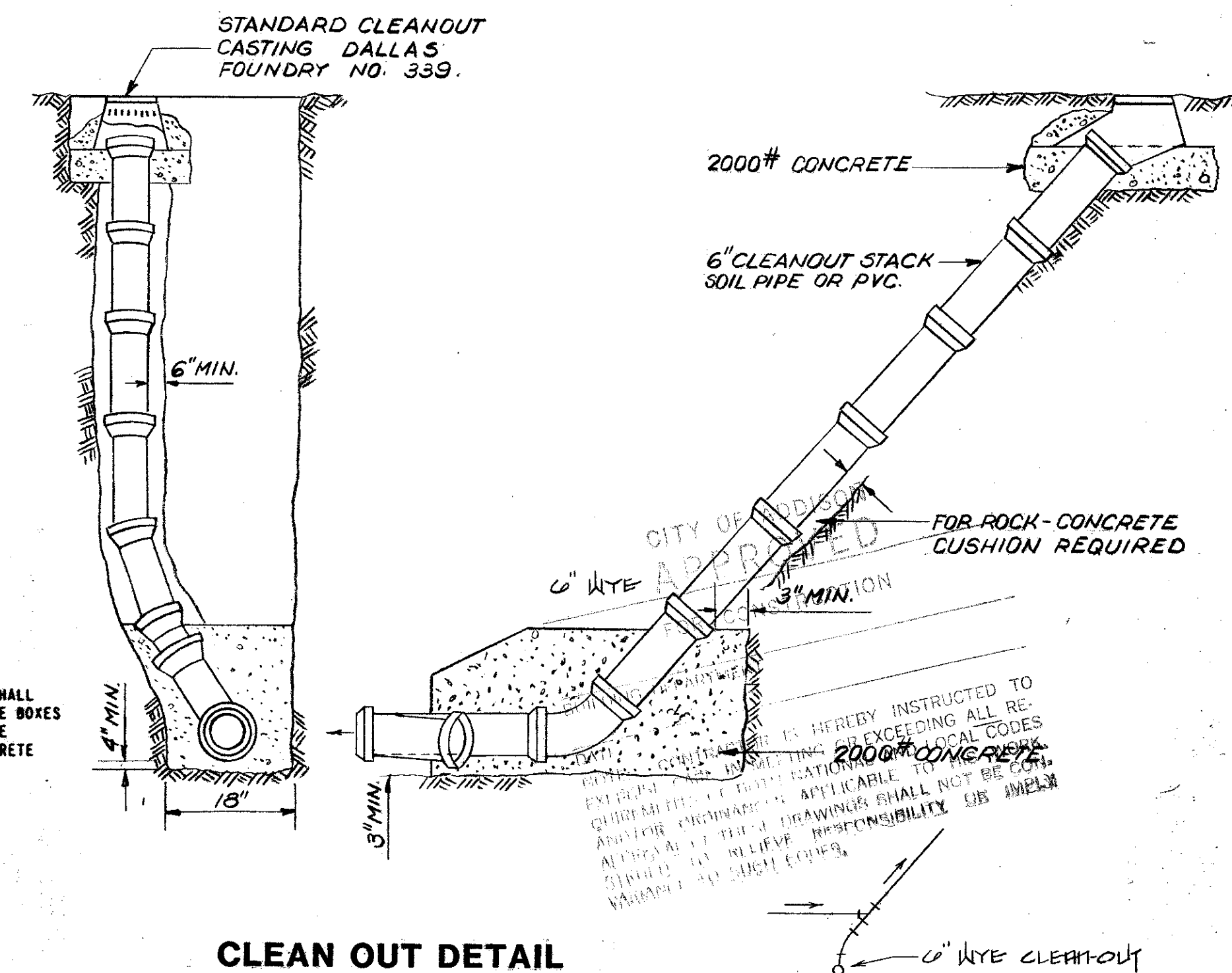
SCALE: 3/4" = 1'-0"



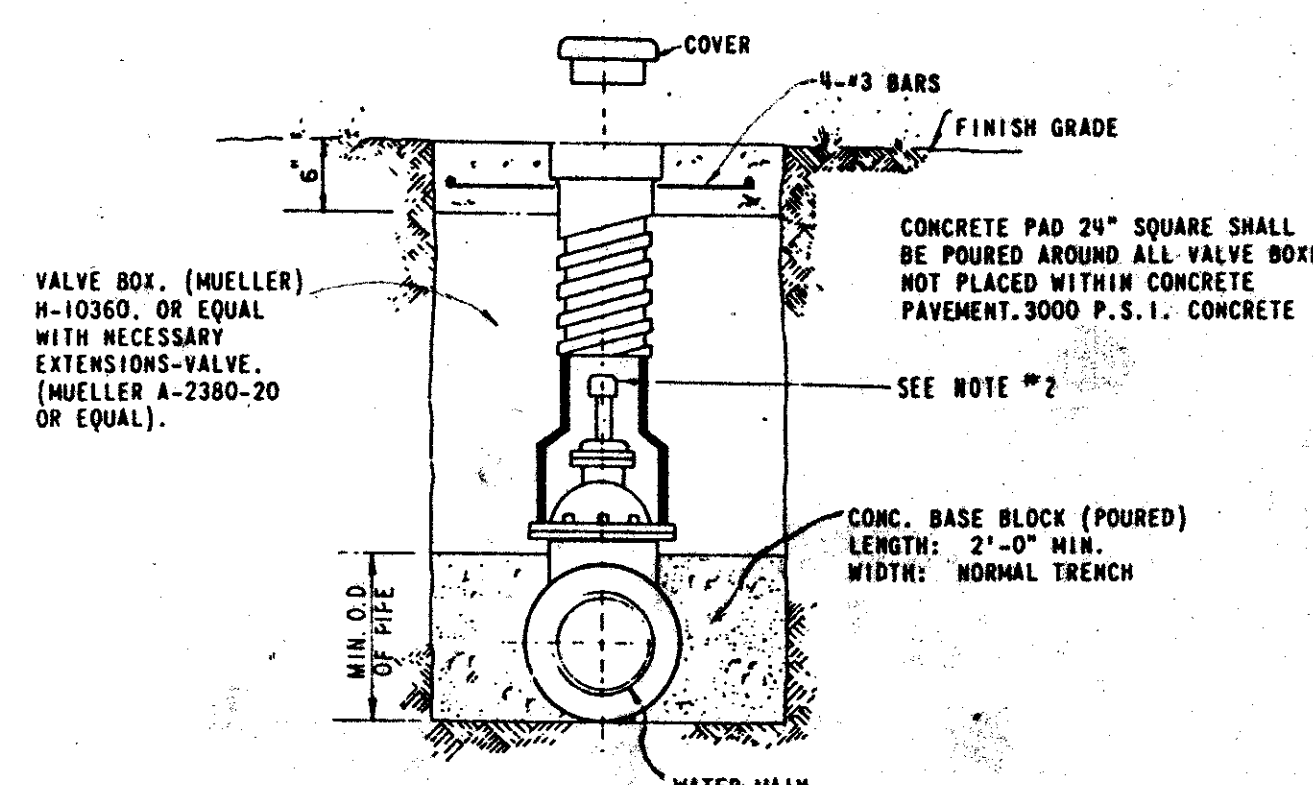
DETECTOR CHECK VAULT DETAIL



SECTION B-B



CLEAN OUT DETAIL



VALVE BOX DETAIL

NOTE:
 1. 4-12" BS GATE VALVES SHALL BE IN ACCORDANCE WITH AWWA STANDARD C-509-80 OR LATEST THEREOF. ALL VALVES SHALL BE MUELLER A-2370 OR APPROVED EQUAL.
 2. A PERMANENTLY ATTACHED VALVE EXTENSION STEM SHALL BE REQUIRED FOR ANY VALVE WITH OPERATING NUT LOCATED IN EXCESS OF 4 FEET BELOW THE TOP OF VALVE BOX. THIS EXTENSION SHALL BE OF SUFFICIENT LENGTH TO INSURE THAT ITS TOP IS WITHIN 4" OF VALVE BOX LID.

SANITARY WATER & STORM DETAILS					
14800 QUORUM DRIVE					
THE MURPHREE COMPANY					
CITY OF ADDISON TEXAS					
INTERTECH ENGINEERS, INC.					
DESIGN	DRAWN	DATE	SCALE	NOTES	FILE NO.
RFS	PT	12-1-83	AS NOTED		B3129-101
					C3