

SAN. SEWER MH
FL 628.62

6' X 6' TRANSFORMER
PAD

4' X 4' INLET
FL 633.31

20' DRAINAGE & UTILITY EASEMENT
VOL. 80144 PG. 0764 DEED RECORDS

20' DRAINAGE & UTILITY
ESMT. VOL. 79100 PG. 1895
MAP RECORDS

S 01° 39' 54" E 499.19'

0.505 AC. TRACT
22000 SQ. FT.

DALLAS PARKWAY

NOTE:
REMOVE EXISTING CURB,
CABLE BOX & RECESSED
INLET

7.5' UNDERGROUND UTILITY
EASEMENT- VOL. 80144
PAGE 0764
DEED RECORDS

△ = 18° 17' 06"
R = 235.01'
T = 37.82'
L = 75.00'
L.C. = 74.68'

NOTE: Existing Elevations Shown With An "E" Thusly: 642.06 E.

NOTE:
3 LEVEL PARKING GARAGE
(EXISTING)

CURVE NO.	FACE OF CURB CURVE DATA		
	R	T	L
△ C1	0:01:11"		
△ C2	45° 00' 00"	20'	8.28'
△ C3	45° 00' 00"	5'	2.07'
C4	90° 00' 00"	5'	5.00'
C5	104° 18' 18"	10'	12.87'
△ C6	0:01:11"		
△ C7	45° 00' 00"	42'	17.40'
△ C3	45° 00' 00"	20'	8.28'
C9	45° 41' 42"	15'	6.32'
C10	30° 00' 00"	15'	4.92'
C11	60° 00' 00"	10'	5.77'
C12	75° 41' 42"	10'	7.77'
C13	150° 00' 00"	5'	18.66'
C14	134° 18' 18"	5'	11.87'
C15	80° 00' 00"	20'	16.78'

2-28-84	△	Replaced Trough Inlet w/ Recessed Inlet	GTS
2-2-84	△	Curve Data, Retaining Wall Added	RFS
DATE	No.	REVISION	BY

PAVING PLAN

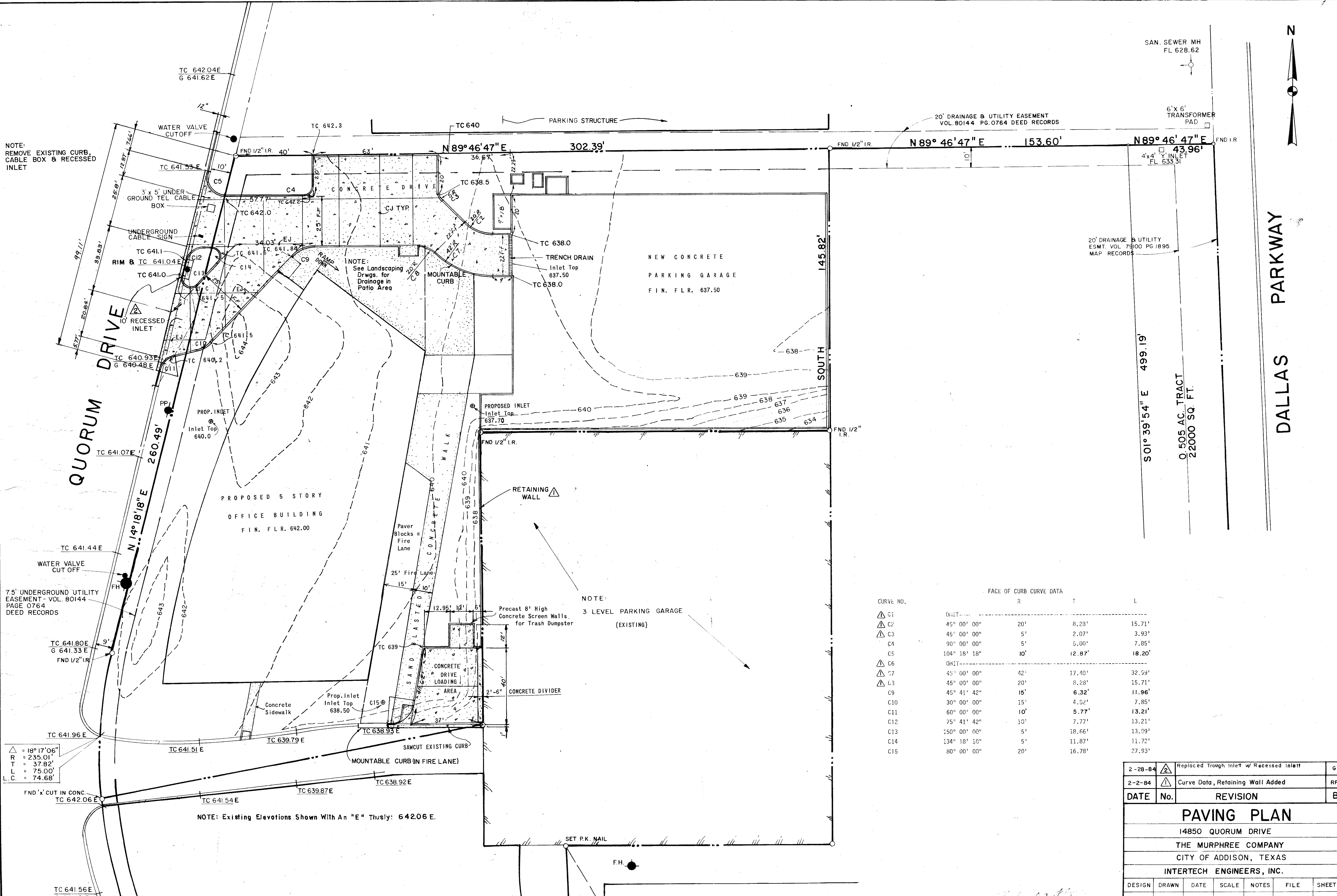
14850 QUORUM DRIVE

THE MURPHREE COMPANY

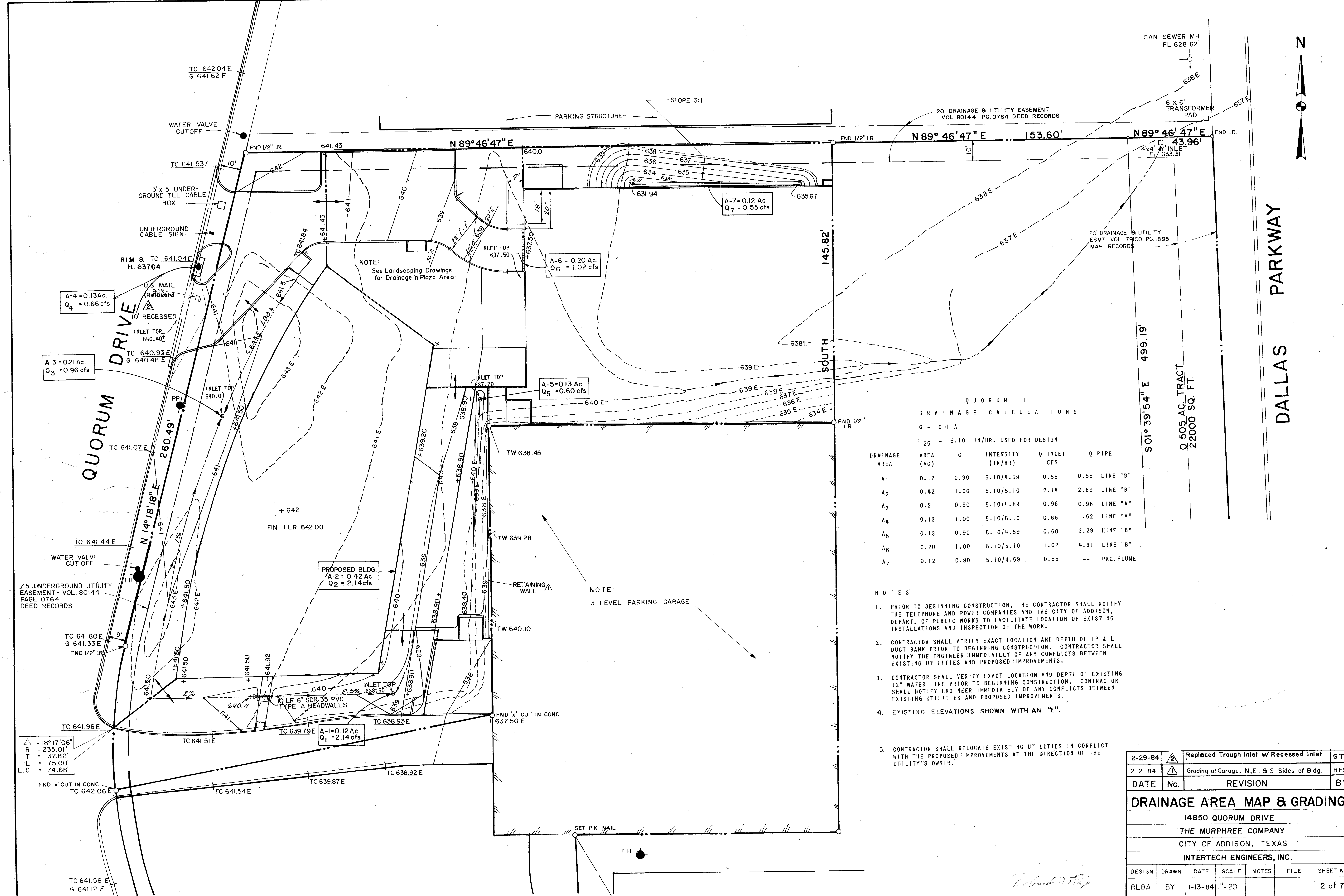
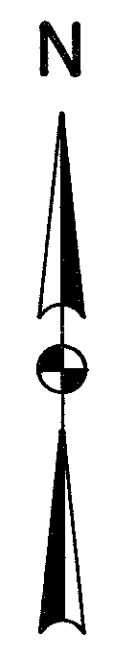
CITY OF ADDISON, TEXAS

INTERTECH ENGINEERS, INC.

DESIGN	DRAWN	DATE	SCALE	NOTES	FILE	SHEET NO.
RLBA	BY	1-13-84	1"=20'			1 of 7



SAN. SEWER MH
FL 628.62



NOTE:
See Landscaping Drawings
for Drainage in Plaza Area.

NOTE:
3 LEVEL PARKING GARAGE

QUORUM 11
DRAINAGE CALCULATIONS
Q - C I A

1.25 - 5.10 IN/HR. USED FOR DESIGN

DRAINAGE AREA	AREA (AC)	C	INTENSITY (IN/HR)	Q INLET CFS	Q PIPE
A ₁	0.12	0.90	5.10/4.59	0.55	0.55 LINE "B"
A ₂	0.42	1.00	5.10/5.10	2.14	2.69 LINE "B"
A ₃	0.21	0.90	5.10/4.59	0.96	0.96 LINE "A"
A ₄	0.13	1.00	5.10/5.10	0.66	1.62 LINE "A"
A ₅	0.13	0.90	5.10/4.59	0.60	3.29 LINE "B"
A ₆	0.20	1.00	5.10/5.10	1.02	4.31 LINE "B"
A ₇	0.12	0.90	5.10/4.59	0.55	-- PKG. FLUME

NOTES:

- PRIOR TO BEGINNING CONSTRUCTION, THE CONTRACTOR SHALL NOTIFY THE TELEPHONE AND POWER COMPANIES AND THE CITY OF ADDISON, DEPART. OF PUBLIC WORKS TO FACILITATE LOCATION OF EXISTING INSTALLATIONS AND INSPECTION OF THE WORK.
- CONTRACTOR SHALL VERIFY EXACT LOCATION AND DEPTH OF TP & L DUCT BANK PRIOR TO BEGINNING CONSTRUCTION. CONTRACTOR SHALL NOTIFY THE ENGINEER IMMEDIATELY OF ANY CONFLICTS BETWEEN EXISTING UTILITIES AND PROPOSED IMPROVEMENTS.
- CONTRACTOR SHALL VERIFY EXACT LOCATION AND DEPTH OF EXISTING 12" WATER LINE PRIOR TO BEGINNING CONSTRUCTION. CONTRACTOR SHALL NOTIFY ENGINEER IMMEDIATELY OF ANY CONFLICTS BETWEEN EXISTING UTILITIES AND PROPOSED IMPROVEMENTS.
- EXISTING ELEVATIONS SHOWN WITH AN "E".
- CONTRACTOR SHALL RELOCATE EXISTING UTILITIES IN CONFLICT WITH THE PROPOSED IMPROVEMENTS AT THE DIRECTION OF THE UTILITY'S OWNER.

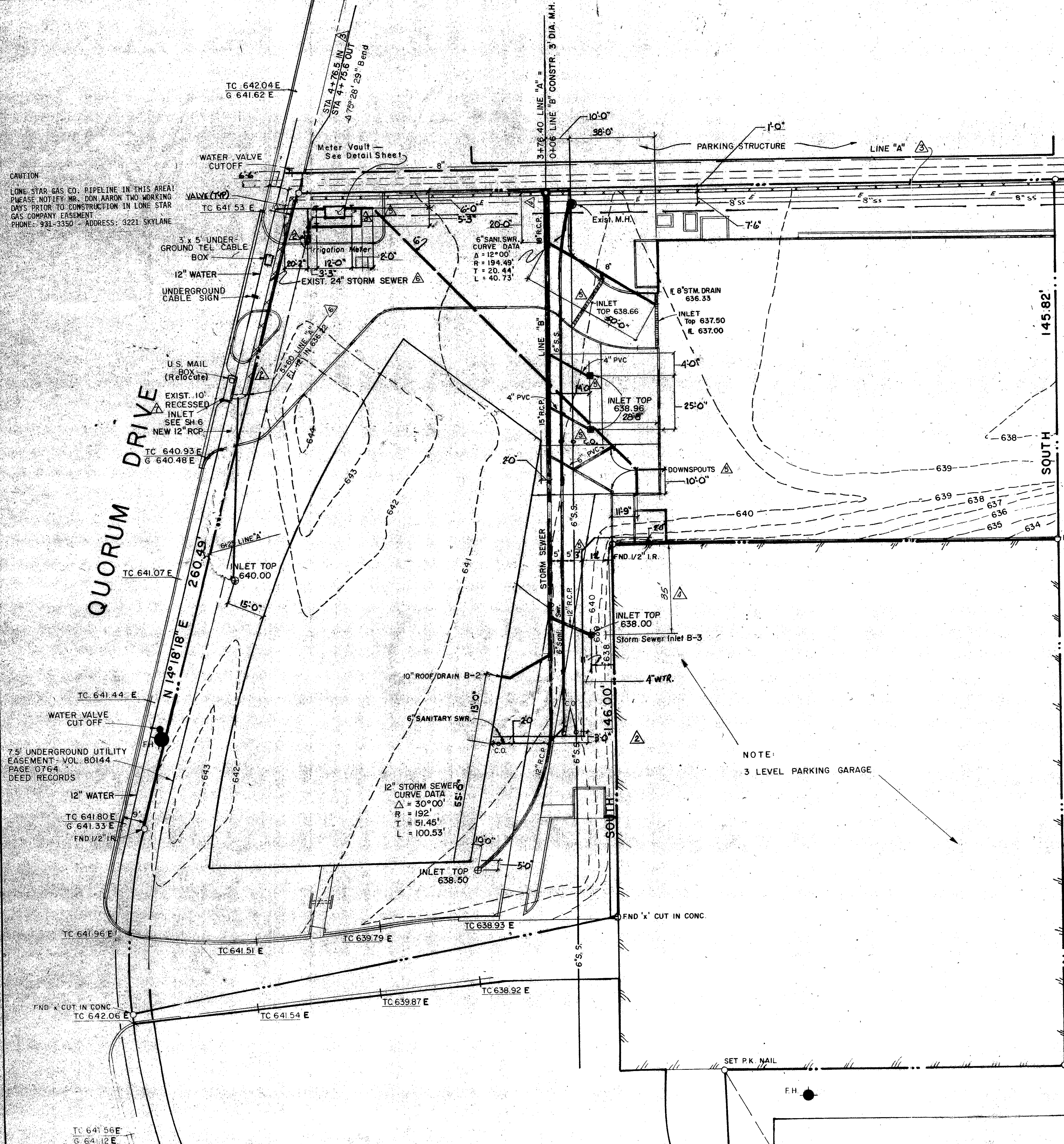
2-29-84	△	Replaced Trough Inlet w/ Recessed Inlet	GTS
2-2-84	△	Grading at Garage, N,E, & S Sides of Bldg.	RFS
DATE	No.	REVISION	BY
DRAINAGE AREA MAP & GRADING			
14850 QUORUM DRIVE			
THE MURPHREE COMPANY			
CITY OF ADDISON, TEXAS			
INTERTECH ENGINEERS, INC.			
DESIGN	DRAWN	DATE	SCALE
RLBA	BY	1-13-84	1"=20'
NOTES	FILE	SHEET NO.	
		2 of 7	

△ = 18° 17' 06"
R = 235.01'
T = 37.82'
L = 75.00'
L.C. = 74.68'

TC 641.56 E
G 641.12 E

W. Land

CAUTION
 LONE STAR GAS CO. PIPELINE IN THIS AREA!
 PLEASE NOTIFY MR. DON AARON TWO WORKING
 DAYS PRIOR TO CONSTRUCTION IN LONE STAR
 GAS COMPANY EASEMENT
 PHONE: 931-3350 ADDRESS: 3221 SKYLANE



- NOTE:
- Existing Elevations Shown With An "E".
 - Contractor To Verify Existence, Location, And Elevations Of Utility & Sewer Lines. Worst Case Assumed; ie Line A May Be In Existence.
 - Line A Existing Sta. 0+00 to Sta. 5+60.
 - All Drain Lines to be Connected to Main Drains at 60° Angle or Less

AS-BUILT

These drawings have been revised by the Construction Contractor to reflect "AS BUILT" conditions in accordance with his records. The Engineer has not verified the accuracy of this information and shall not be responsible for any errors or omissions which may be incorporated herein as a result. No warranty is made by the Consulting Firm nor the Engineer for accuracy.

Date _____ By _____



DATE	No.	REVISION	BY
3/27/85	1	CONVERT EXIST. INLET TO GRATE INLET	RFS
10/19/84	2	Issued For C.O.Price	RFS
9/28/84	3	Revised Storm Sewer in Quorum Drive	RFS
	4	Deleted 3" Water Line, Added Drains & Parking Space	RFS
4-26-84	5	Revised Curve Stas. Line B, Moved Inlet, Added Note, Changed Pipe Sizes.	RFS
3-27-84	6	Issued for Construction	RFS
3-19-84	7	Moved 18" Storm Sewer South of P/L Moved Meter Vault.	G.T.S
2-29-84	8	Replaced Trough Inlet w/ Recessed Inlet. Added Irrigation Meter. Moved 3" Water Line.	G.T.S
2-2-84	9	Gar. Entrance, Inlet Nos.	RFS

DESIGN	DRAWN	DATE	SCALE	NOTES	FILE	SHEET NO.
RLBA	BY	1-13-84	1"=20'			3 of 7

WATER, SEWER & STORM DRAINAGE
 14850 QUORUM DRIVE
 THE MURPHREE COMPANY
 CITY OF ADDISON, TEXAS
 INTERTECH ENGINEERS, INC.



DALLAS PARKWAY

REVERSE CURVE DATA
 18" STORM SEWER
 13' 03" 46"
 9.35'
 18.71'

Future 36" Water Line.

20' DRAINAGE & UTILITY EASEMENT VOL. 80144 PG. 0764 DEED RECORDS

SAN. SEWER MH FL 628.62

6" x 6" TRANSFORMER PAD

Existing 4x4" INLET FL 633.31

20' DRAINAGE & UTILITY ESMT. VOL. 78100 PG. 1895 MAP RECORDS

San. Sewer 4' N. of Esmt. Line. Storm 9' N. of Esmt. Line.

S01° 39' 54" E 499.19'

0.505 AC. TRACT 22000 SQ. FT.

- NOTE:
- Existing Elevations Shown With An "E".
 - Contractor To Verify Existence, Location, And Elevations Of Utility & Sewer Lines. Worst Case Assumed is Line A May Be In Existence.

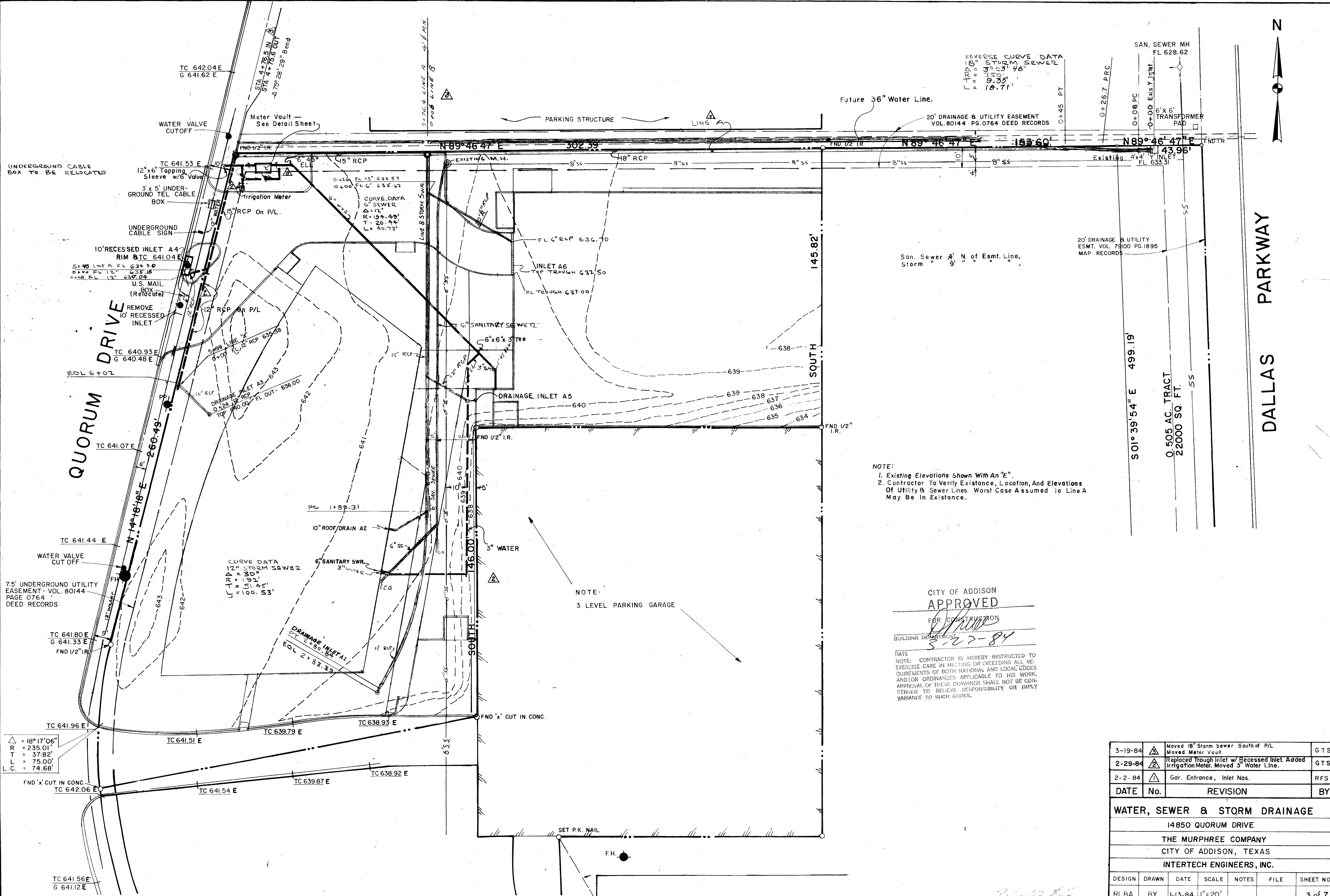
CITY OF ADDISON APPROVED

FOR CONSTRUCTION

BUILDING DEPARTMENT 5-27-84

DATE NOTE: CONTRACTOR IS HEREBY INSTRUCTED TO EXERCISE CARE IN MEETING OR EXCEEDING ALL REQUIREMENTS OF BOTH NATIONAL AND LOCAL CODES AND/OR ORDINANCES APPLICABLE TO HIS WORK. APPROVAL OF THESE DRAWINGS SHALL NOT BE CONSTRUED TO RELIEVE RESPONSIBILITY OR IMPLY VARIANCE TO SUCH CODES.

NOTE: 3 LEVEL PARKING GARAGE

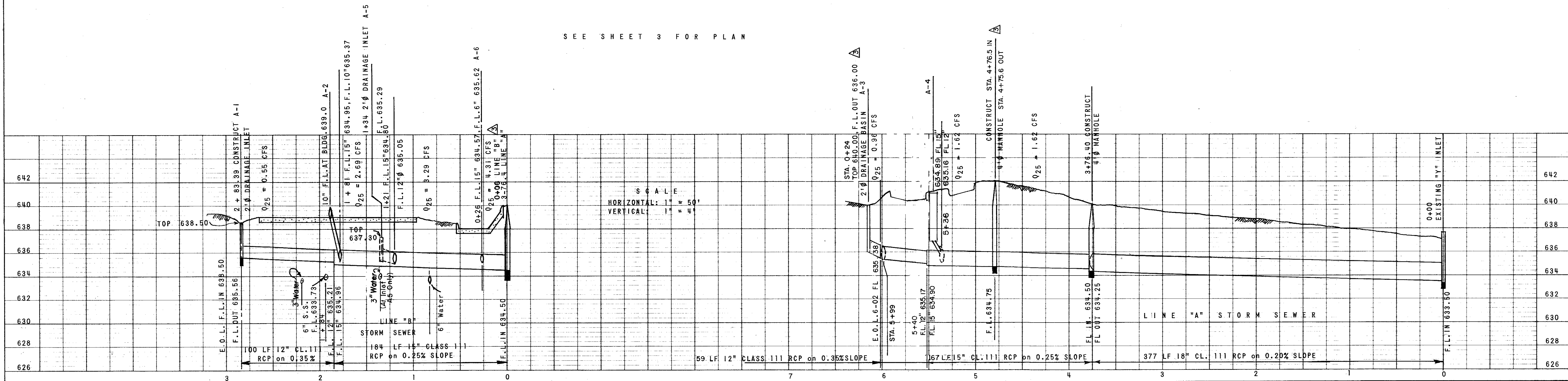


△ = 18° 17' 06"
 R = 235.01'
 T = 37.82'
 L = 75.00'
 L.C. = 74.68'

3-19-84	△	Moved 18" Storm Sewer South of P/L Moved Meter Vault.	GTS
2-29-84	△	Replaced Trough Inlet w/ Recessed Inlet. Added Irrigation Meter. Moved 3" Water Line.	GTS
2-2-84	△	Gar. Entrance, Inlet Nos.	RFS
DATE	No.	REVISION	BY

WATER, SEWER & STORM DRAINAGE						
14850 QUORUM DRIVE						
THE MURPHREE COMPANY						
CITY OF ADDISON, TEXAS						
INTERTECH ENGINEERS, INC.						
DESIGN	DRAWN	DATE	SCALE	NOTES	FILE	SHEET NO.
RLBA	BY	1-13-84	1"=20'			3 of 7

PLAN	SURVEYED	DATE
NO. _____	BY _____	DATE _____
NOTE BOOK _____	PLOTTED _____	
NO. _____	ALIGNMENT CHECKED _____	
	BY _____	

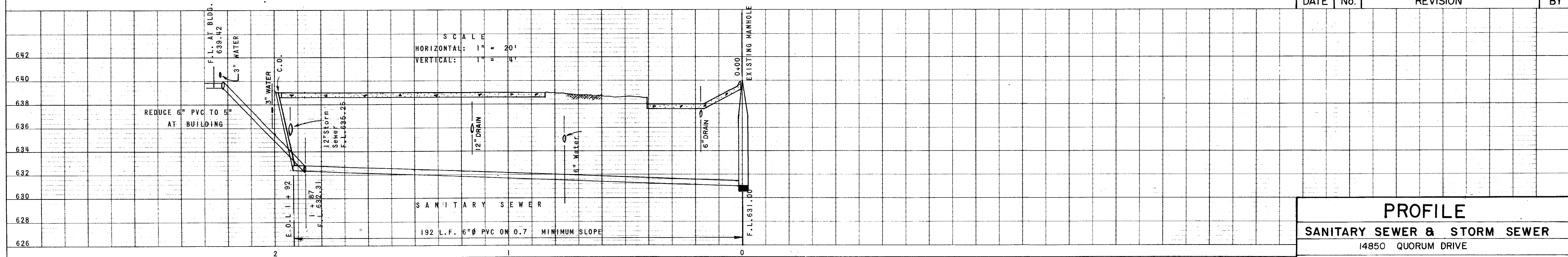


SEE SHEET 3 FOR PLAN

SCALE
HORIZONTAL: 1" = 50'
VERTICAL: 1" = 4'

SEE SHEET 3 FOR PLAN

PROFILE	SURVEYED	DATE
NO. _____	BY _____	DATE _____
NOTE BOOK _____	PLOTTED _____	
NO. _____	GRADES CHECKED _____	
	BY _____	

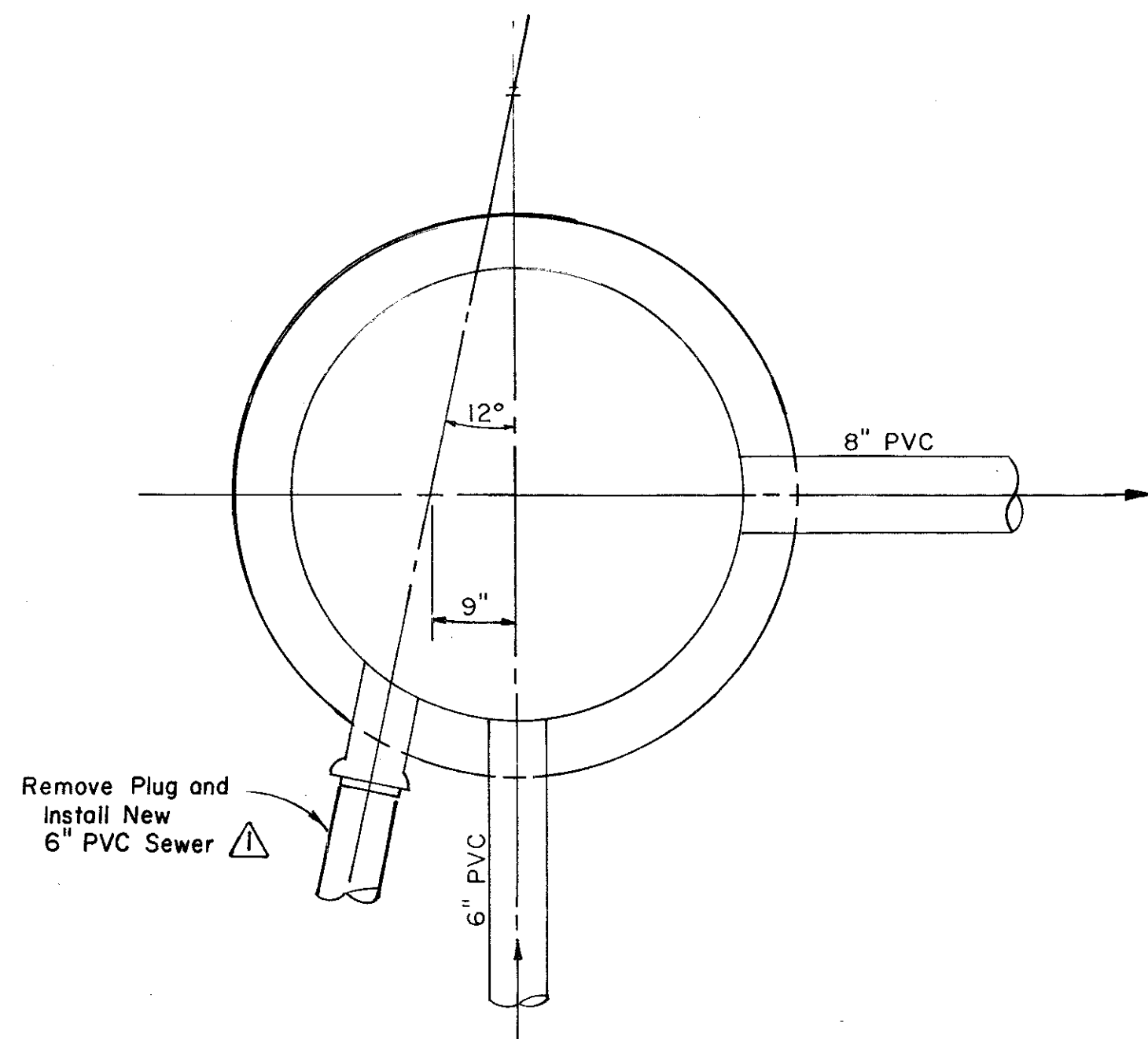


SCALE
HORIZONTAL: 1" = 20'
VERTICAL: 1" = 4'

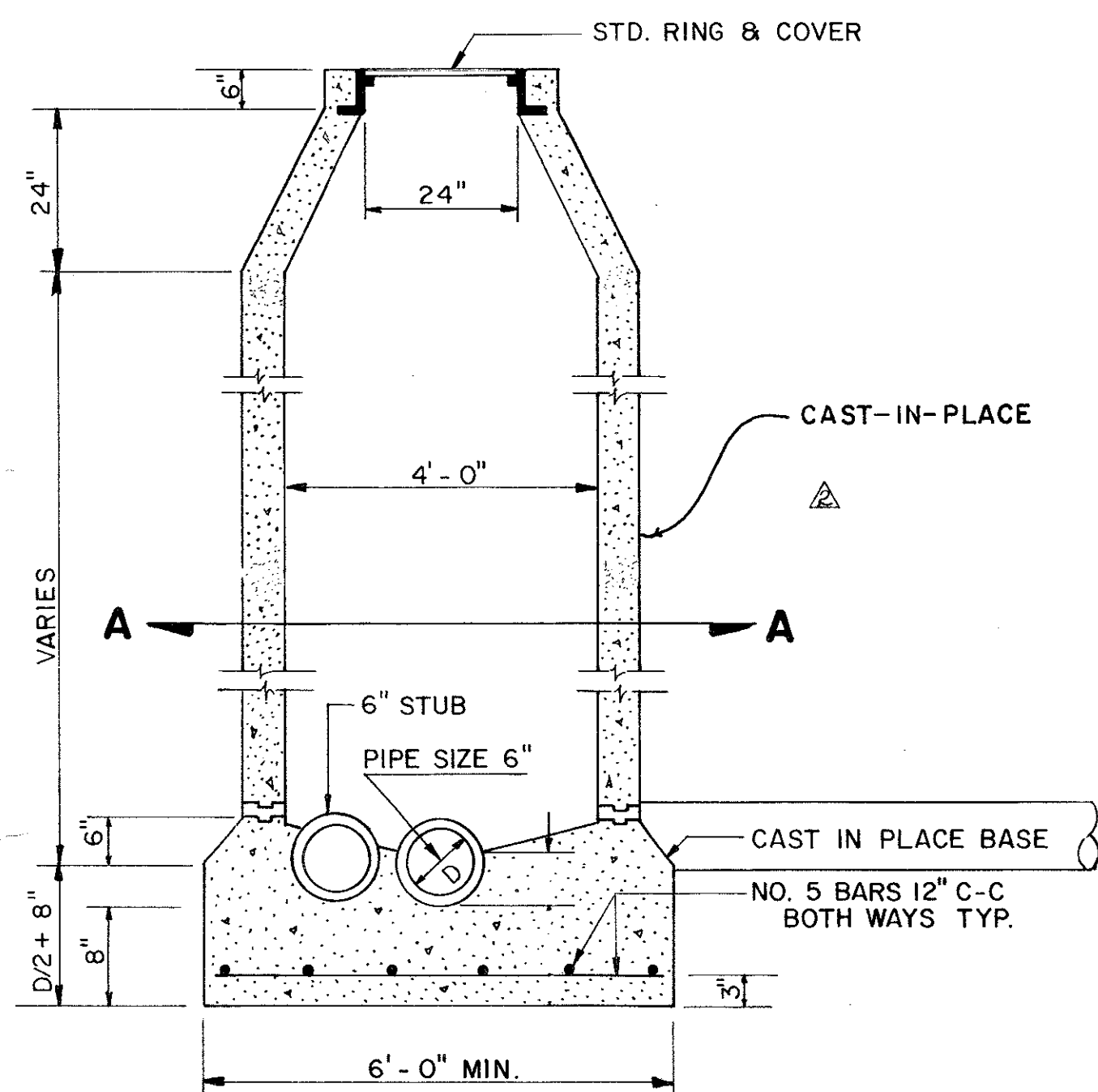
DATE	No.	REVISION	BY
3-19-84	1	Moved Line "A"	GTS.
2-29-84	2	Revised Location Of 3" Water And A-4 Recessed Inlet.	GTS.
2-2-84	3	Add Piping Crossed by Lines	RFS.

PROFILE
SANITARY SEWER & STORM SEWER
14850 QUORUM DRIVE
THE MURPHREE COMPANY - CITY OF ADDISON, TEXAS
INTERTECH ENGINEERS, INC.

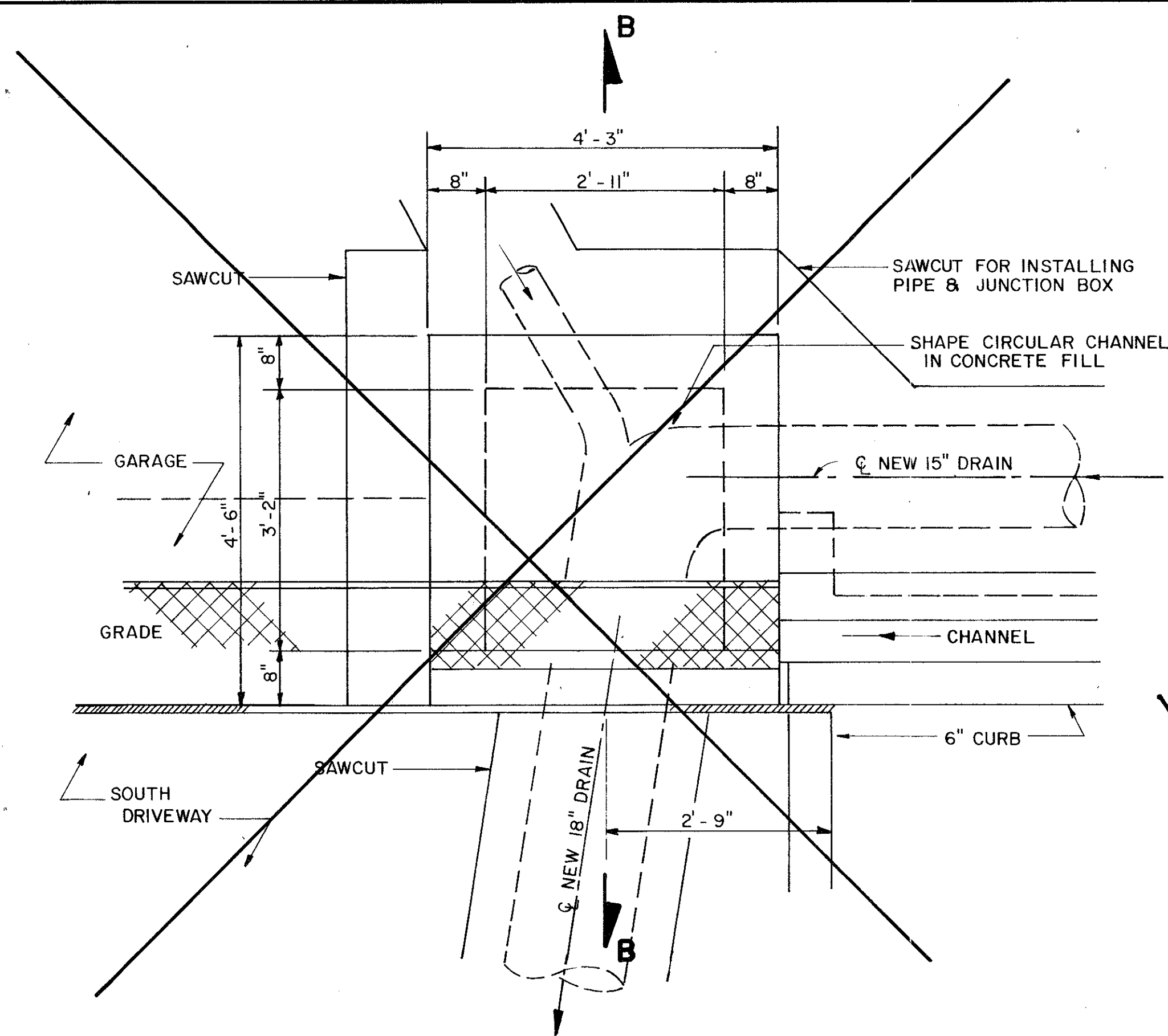
DESIGN	DRAWN	DATE	SCALE	NOTES	FILE	SHEET NO.
RLBA	DPM	1-13-84	AS SHOWN			4 of 7



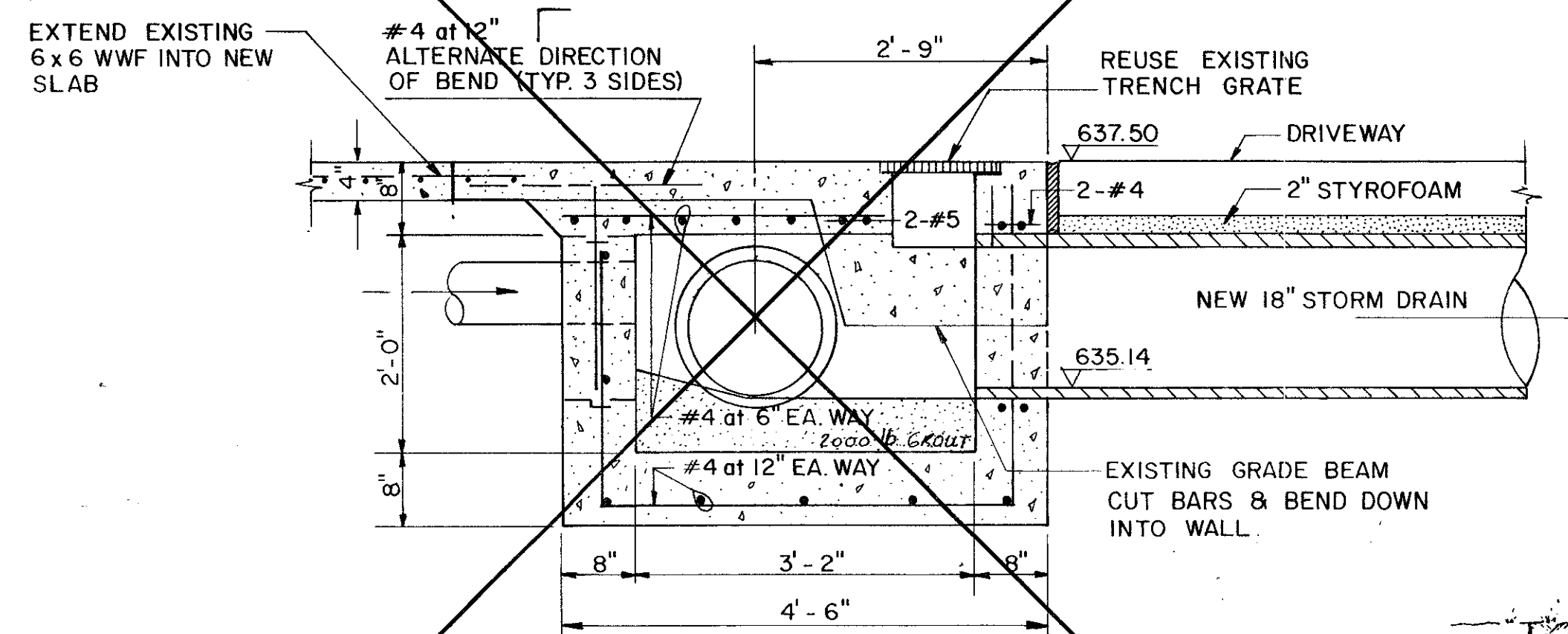
SECTION A-A STA. 0+00 Δ
SCALE: 3/4" = 1'-0"



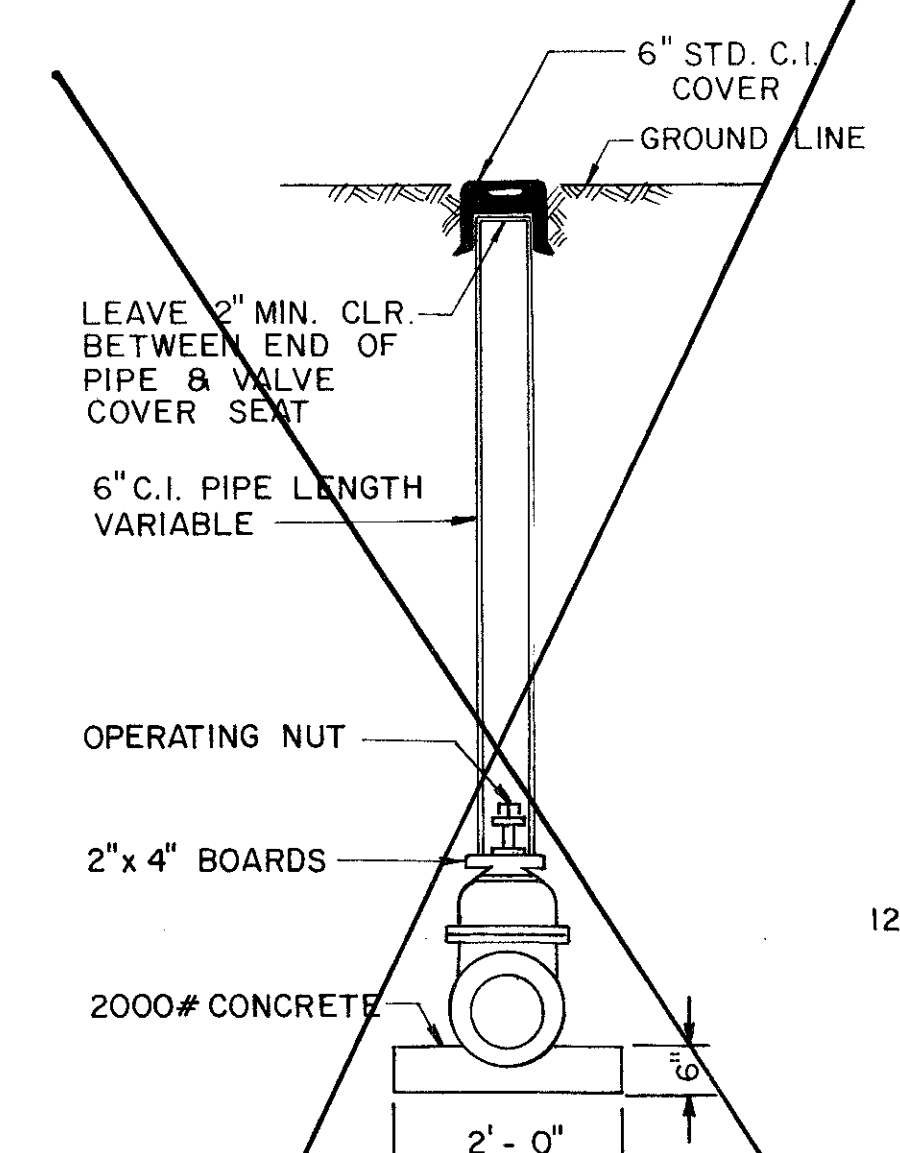
STANDARD MANHOLE
(Existing Sanitary Sewer) Δ



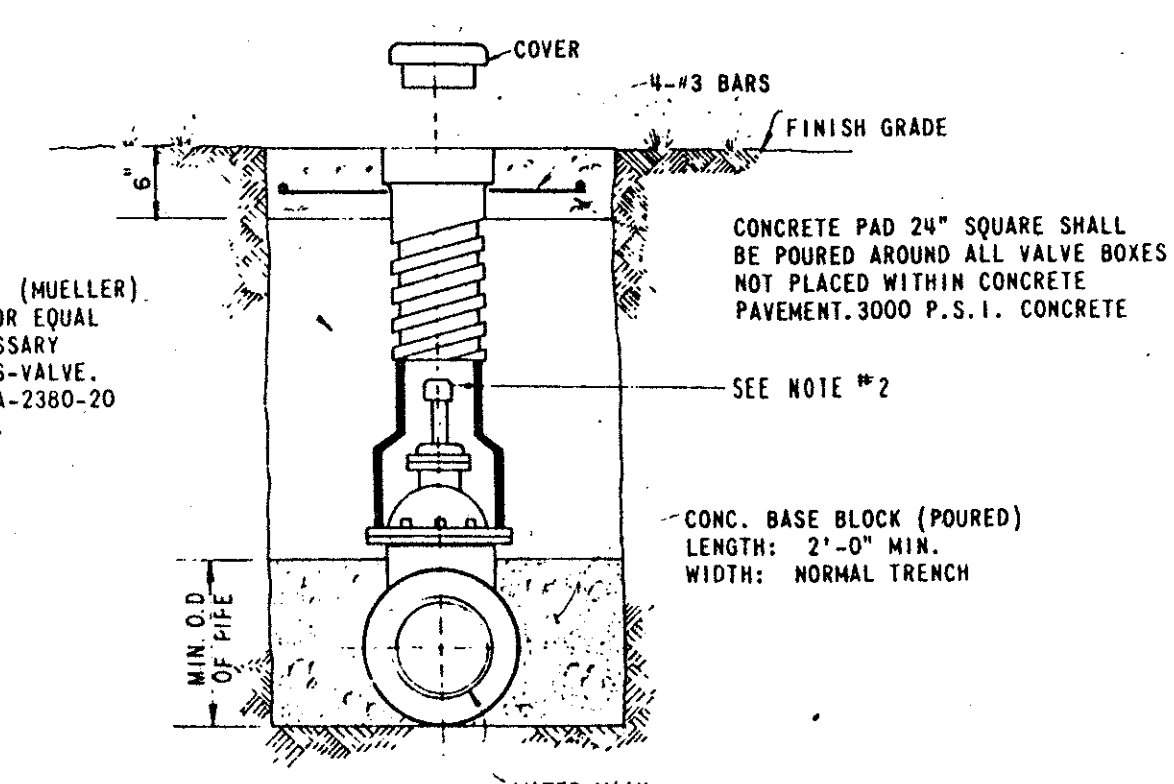
JUNCTION BOX-PLAN
SCALE: 3/4" = 1'-0"
VOID



SECTION B-B
SCALE: 3/4" = 1'-0"
VOID

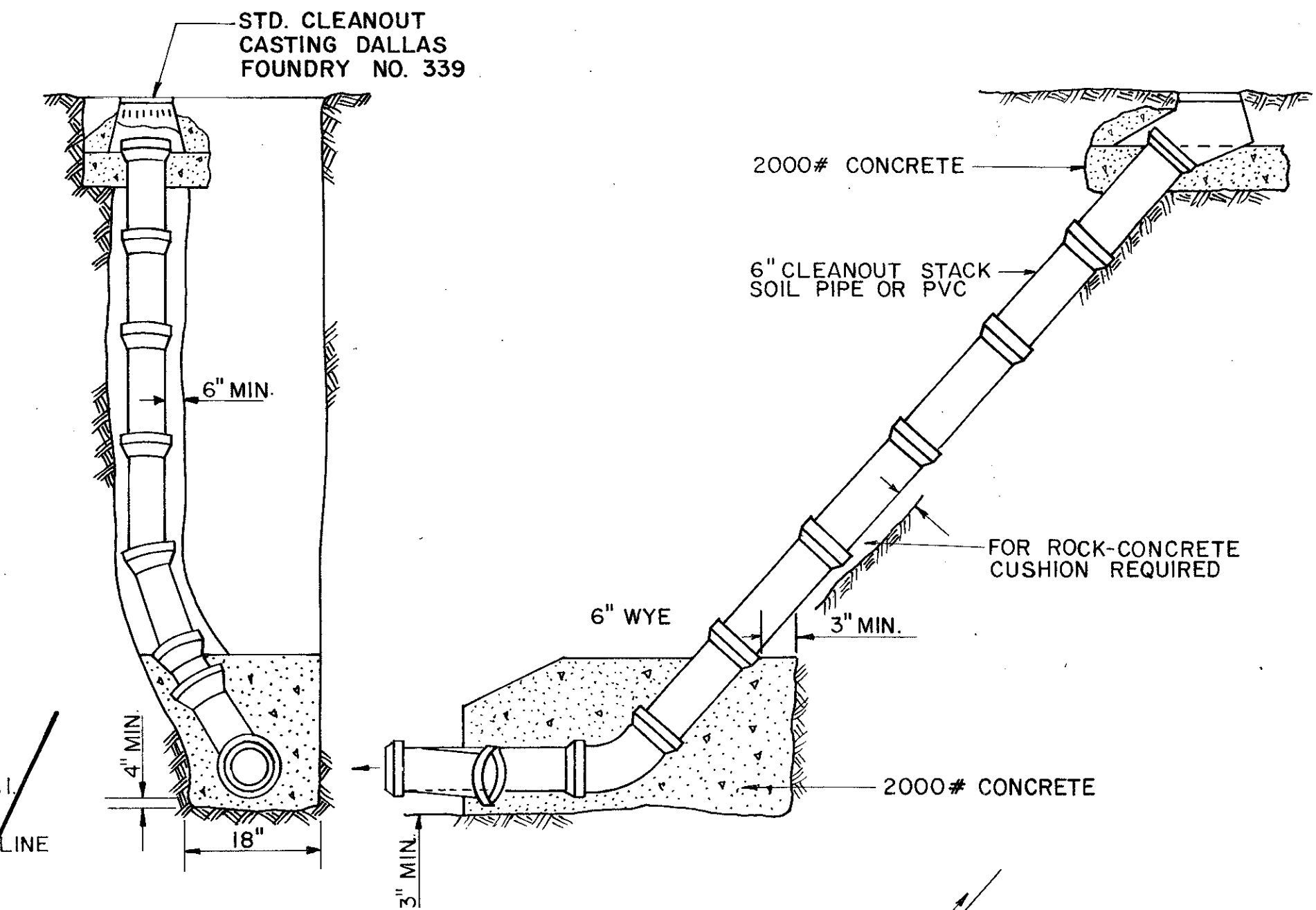


VALVE BOX DETAIL
VOID



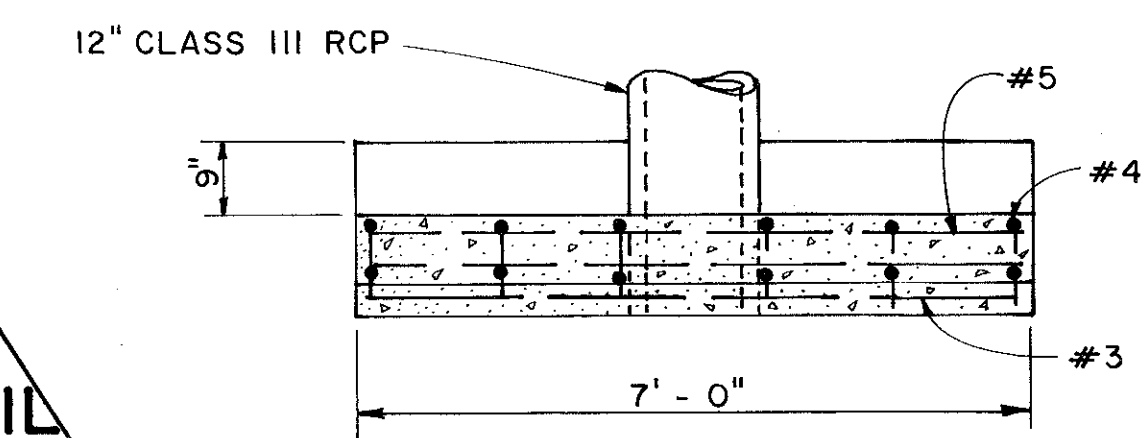
NOTE:
1. 4"-12" GATE VALVES SHALL BE IN ACCORDANCE WITH AWWA STANDARD C-509-80 OR LATEST THEREOF. ALL VALVES SHALL BE MUELLER A-2370 OR APPROVED EQUAL.
2. A PERMANENTLY ATTACHED VALVE EXTENSION STEM SHALL BE REQUIRED FOR ANY VALVE THATS OPERATING NUT IS LOCATED IN EXCESS OF 4 FEET BELOW THE TOP OF VALVE BOX. THIS EXTENSION SHALL BE OF SUFFICIENT LENGTH TO INSURE THAT ITS TOP IS WITHIN 4' OF VALVE BOX LID.

TYPICAL VALVE SETTING AND BOX

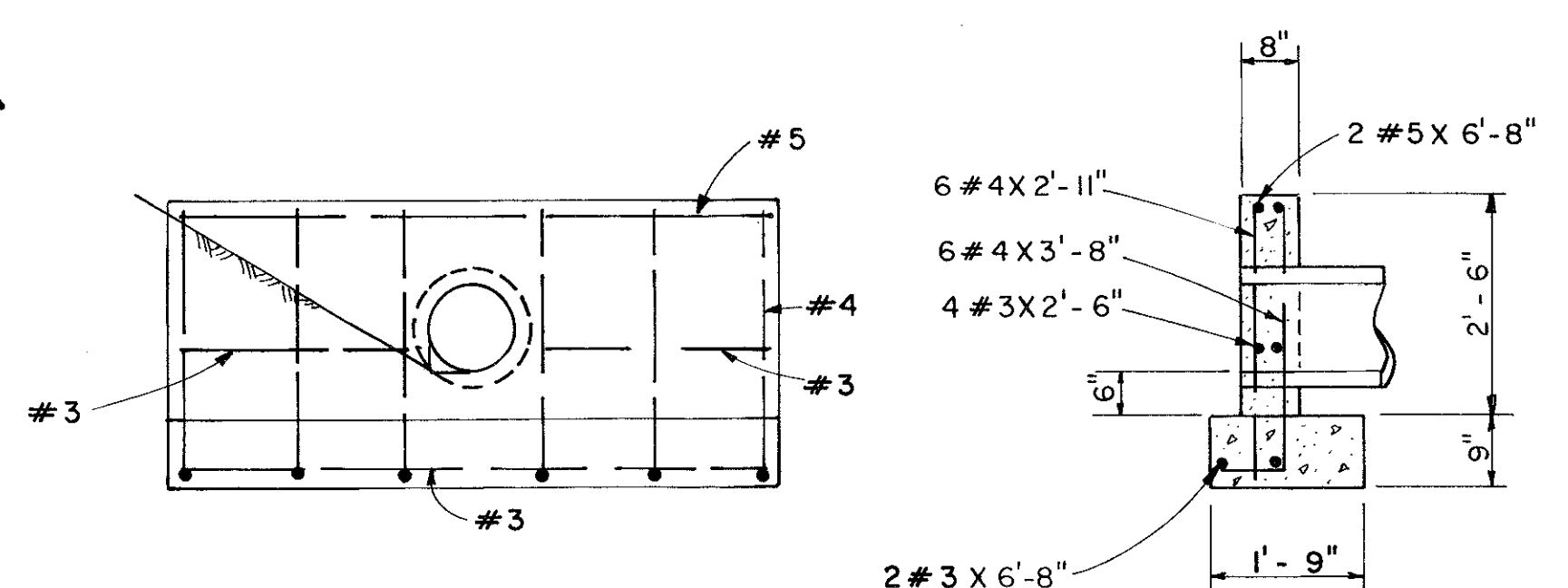


CLEANOUT DETAIL

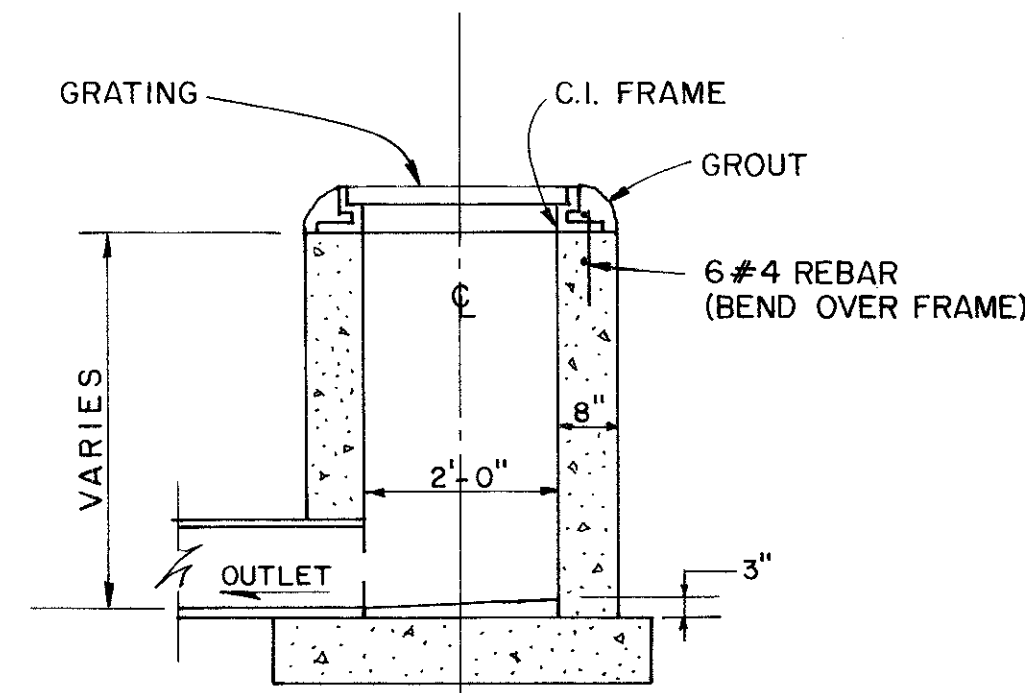
SCHEMATIC (PLAN) OF CLEANOUT



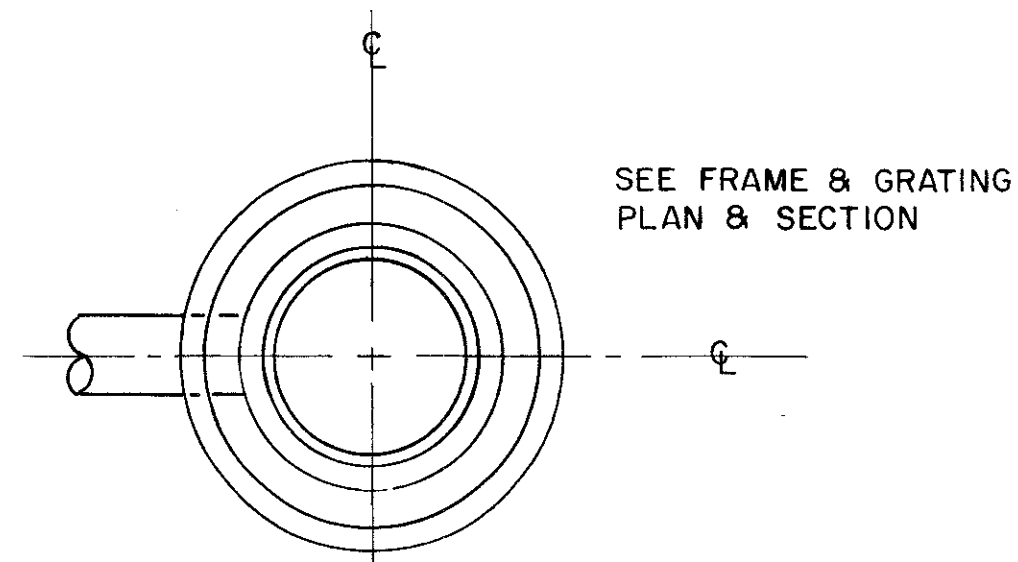
TYPE A HEADWALL
SCALE: 1/2" = 1'-0"



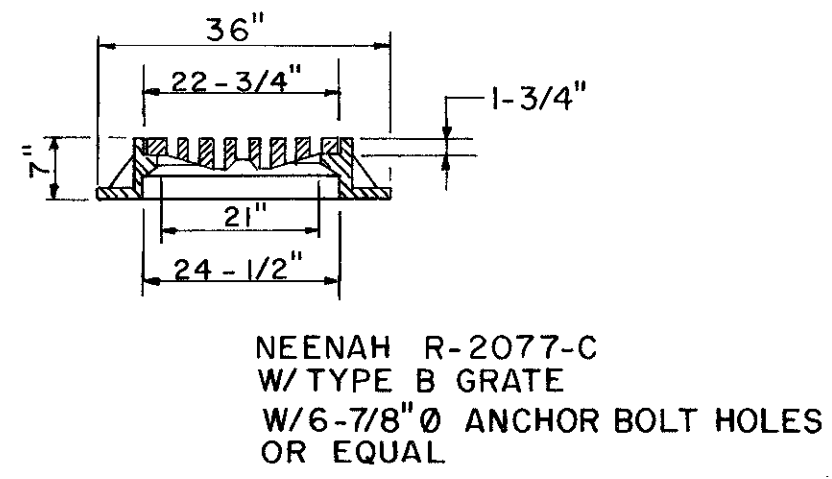
2-29-84	Δ	Revised Valve Box Detail & MH Detail	GTS
2-2-84	Δ	Clarified Existing San. Sewer M.H.	RFS
DATE	No.	REVISION	BY
SANITARY, WATER & STORM DETAILS			
14850 QUORUM DRIVE			
THE MURPHREE COMPANY			
CITY OF ADDISON, TEXAS			
INTERTECH ENGINEERS, INC.			
DESIGN	DRAWN	DATE	SCALE
RLBA	BY	1-13-84	AS SHOWN
NOTES	FILE	SHEET NO.	
		5 of 7	



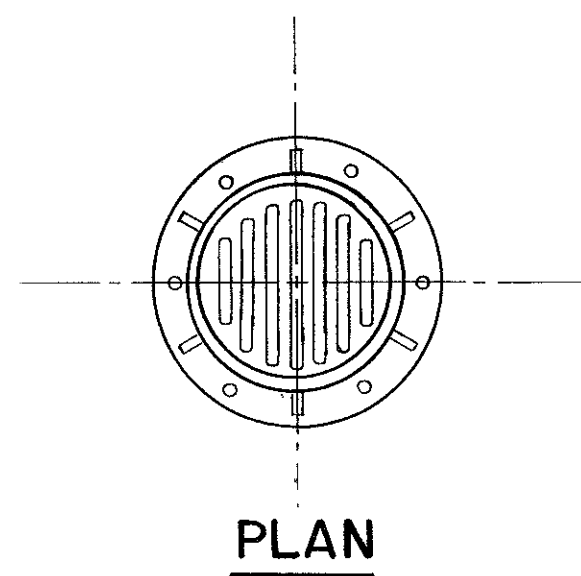
SECTION
SCALE: 1/2"=1'-0"



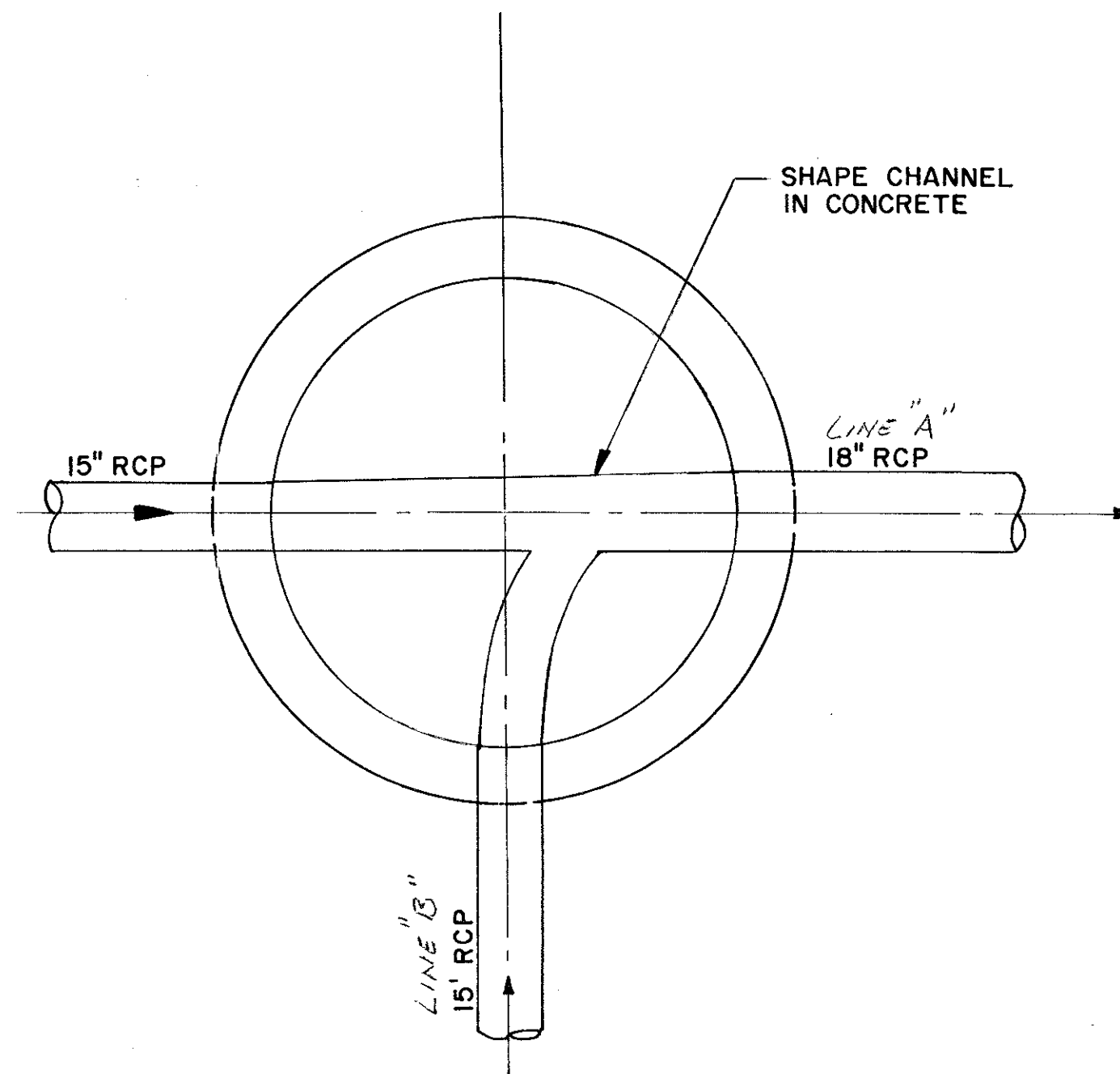
PLAN
CAST IN PLACE DRAINAGE INLET



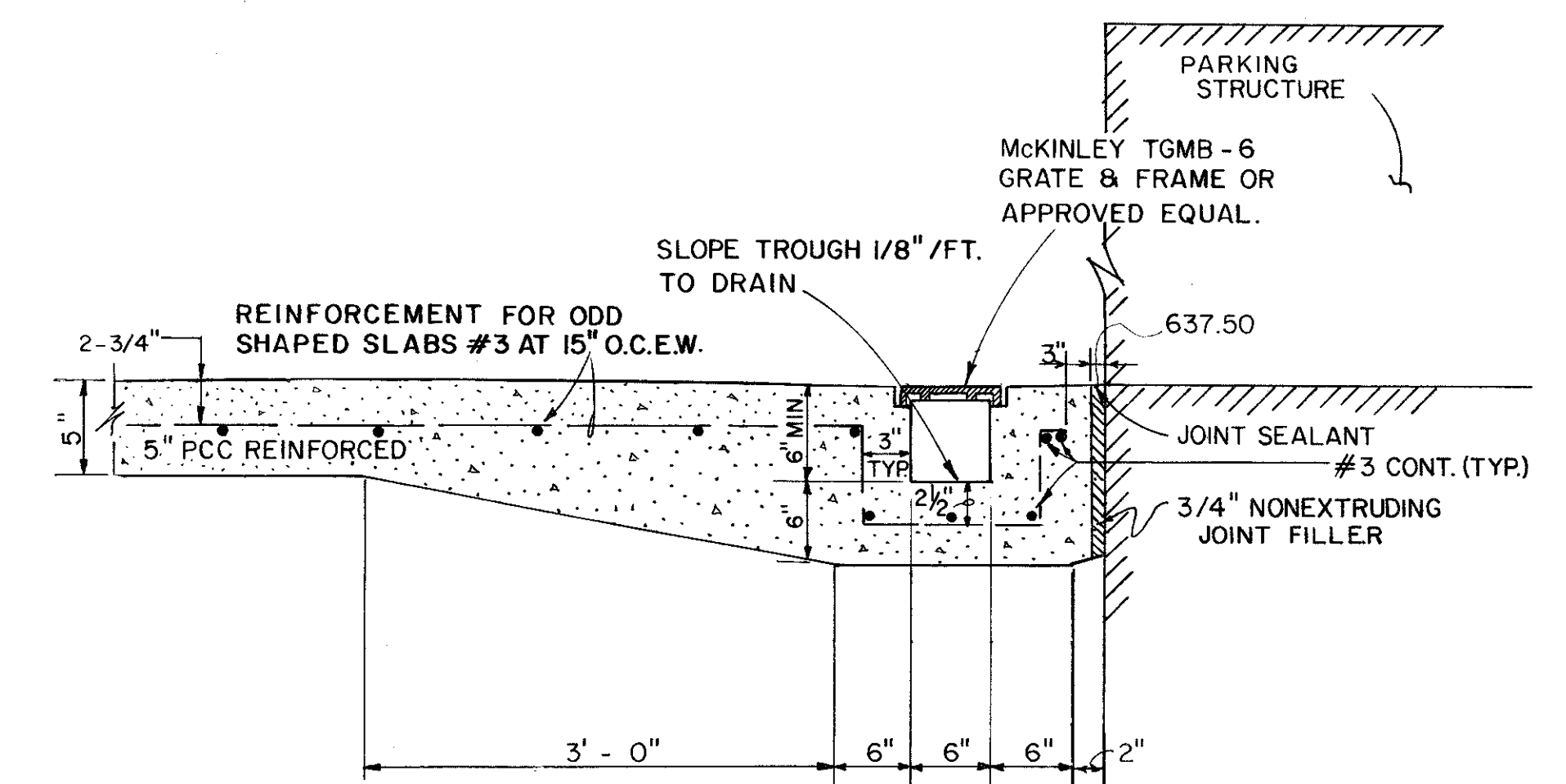
SECTION
SCALE: 1/2"=1'-0"



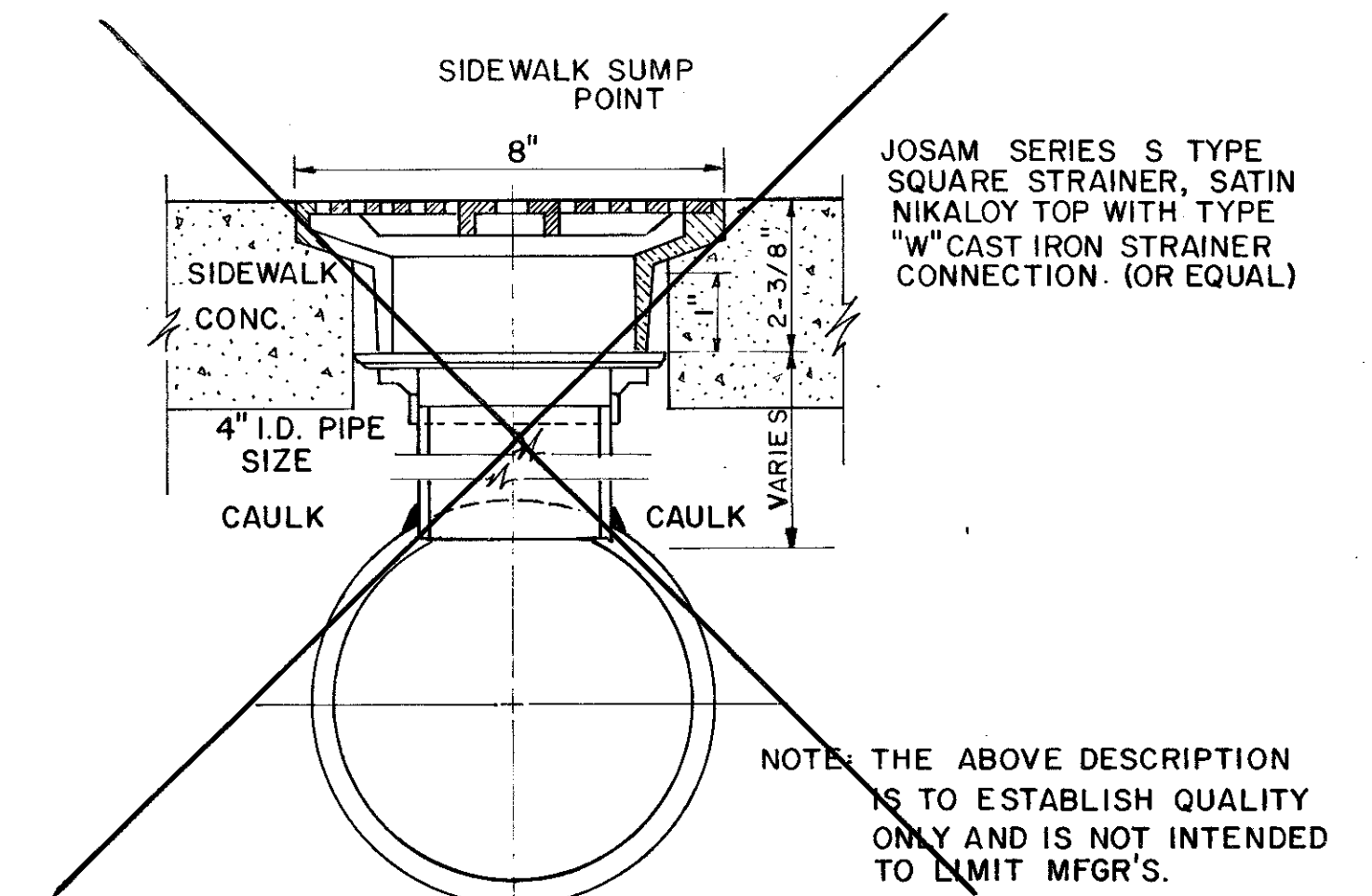
FRAME & GRATING
FOR DRAINAGE INLETS



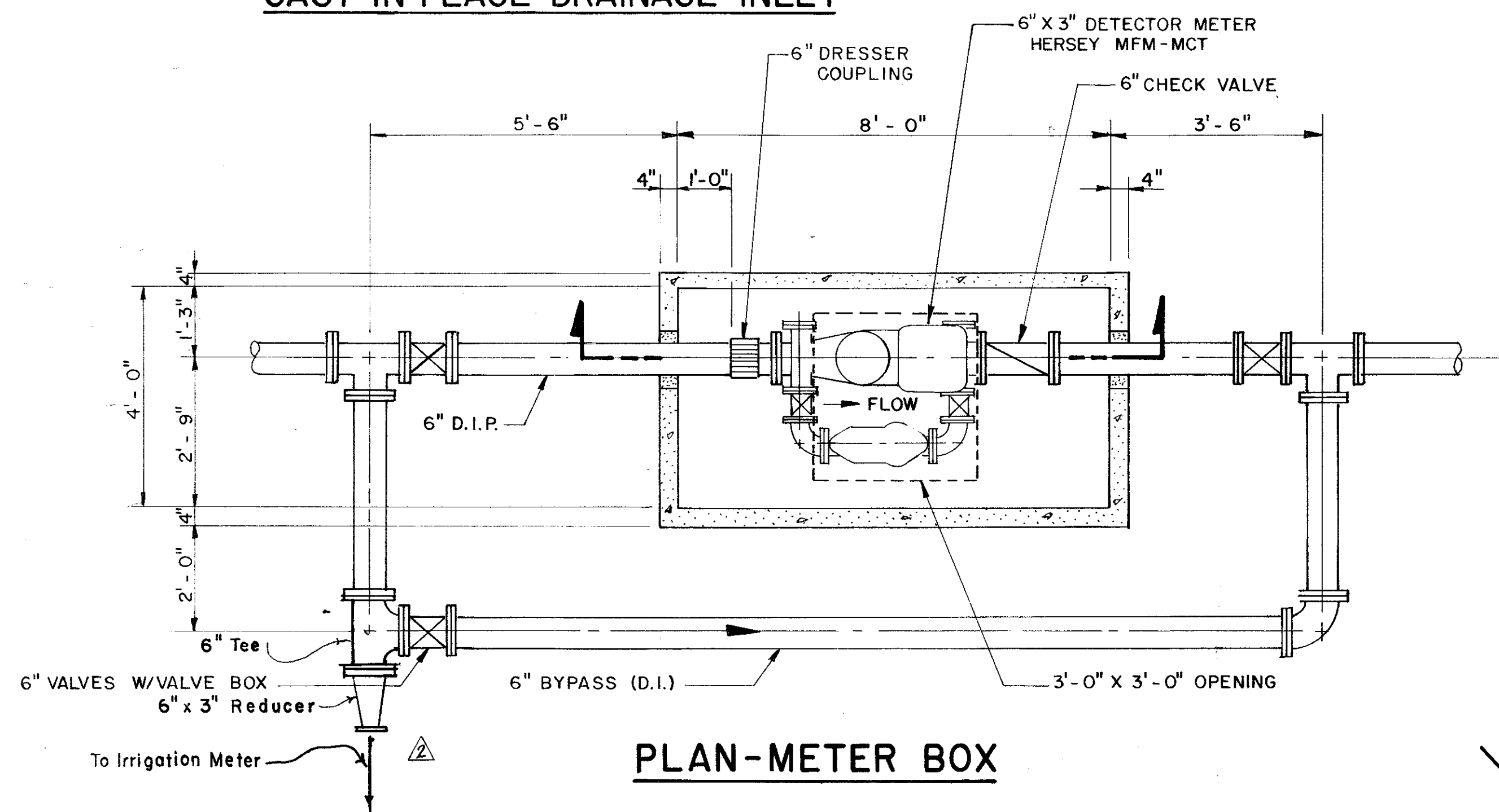
SECTION A-A
SCALE: NONE



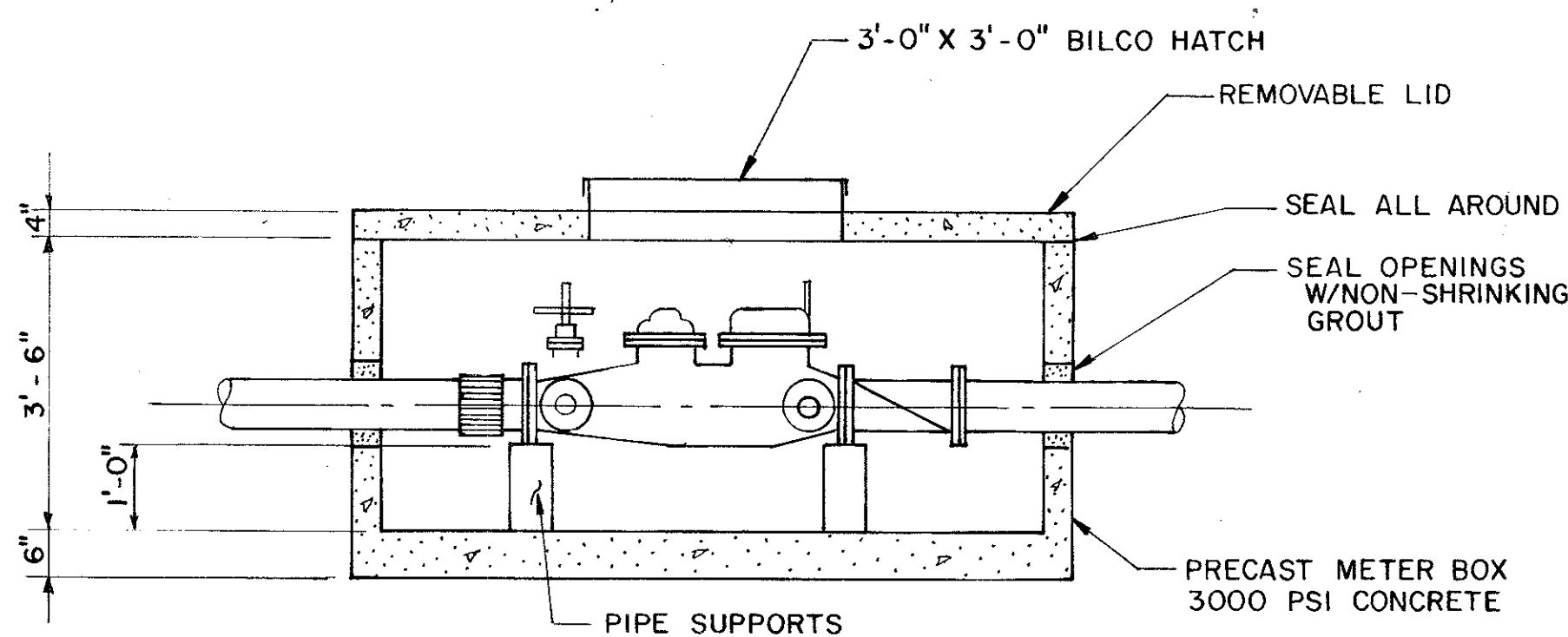
TRENCH DRAIN SECTION
NO SCALE



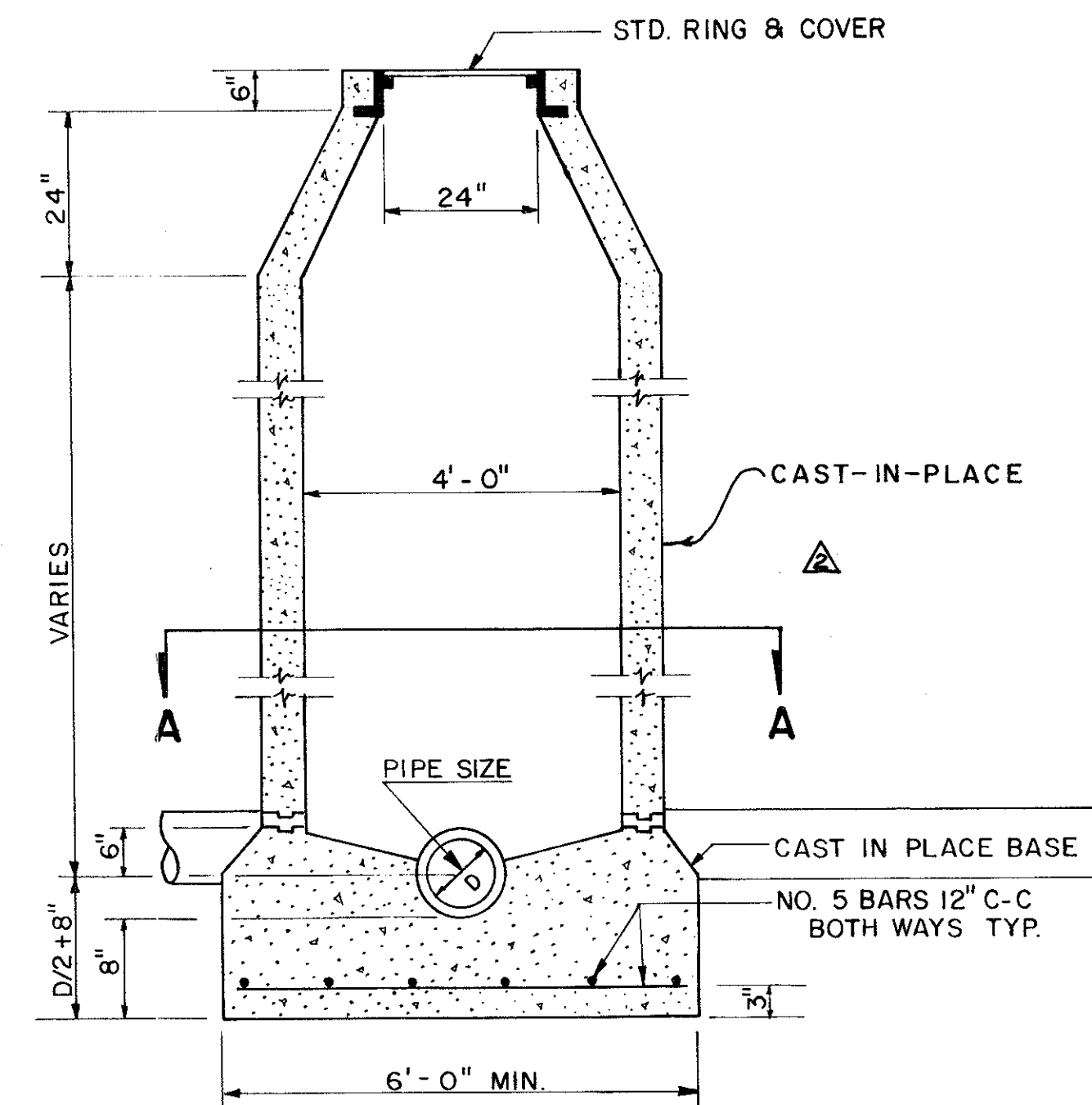
FLOOR DRAIN DETAIL
VOID



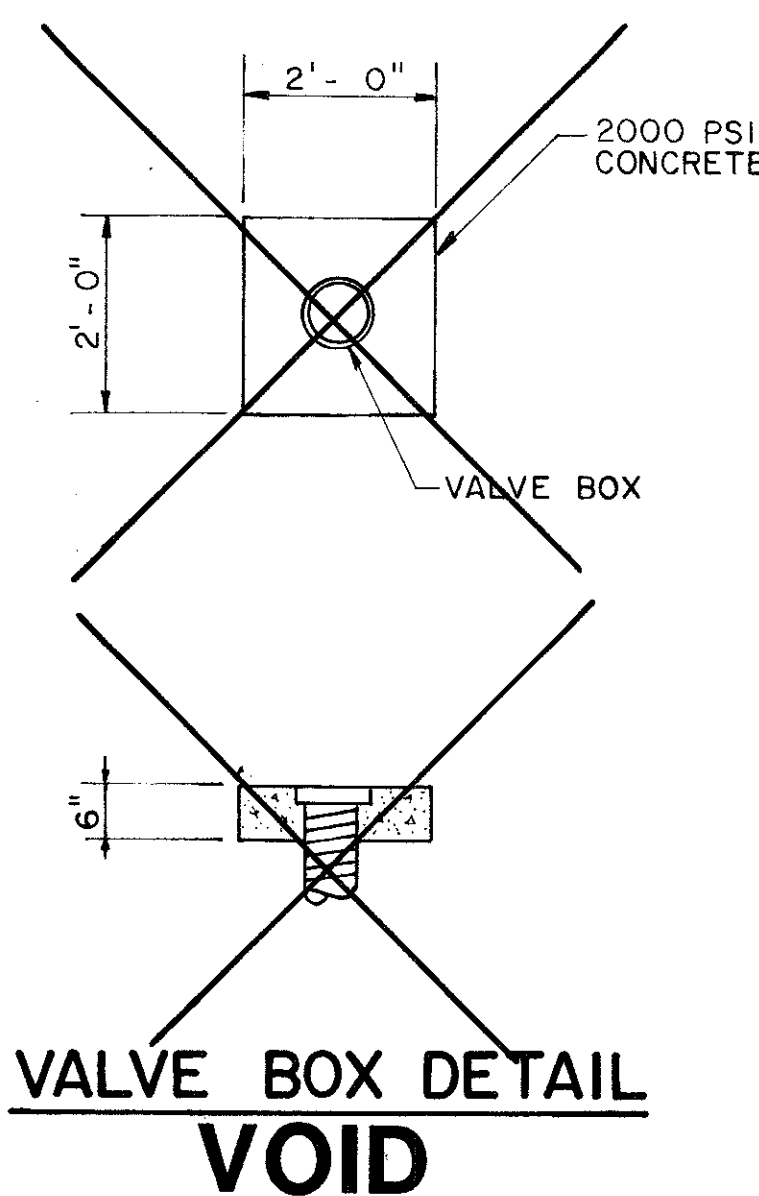
PLAN-METER BOX



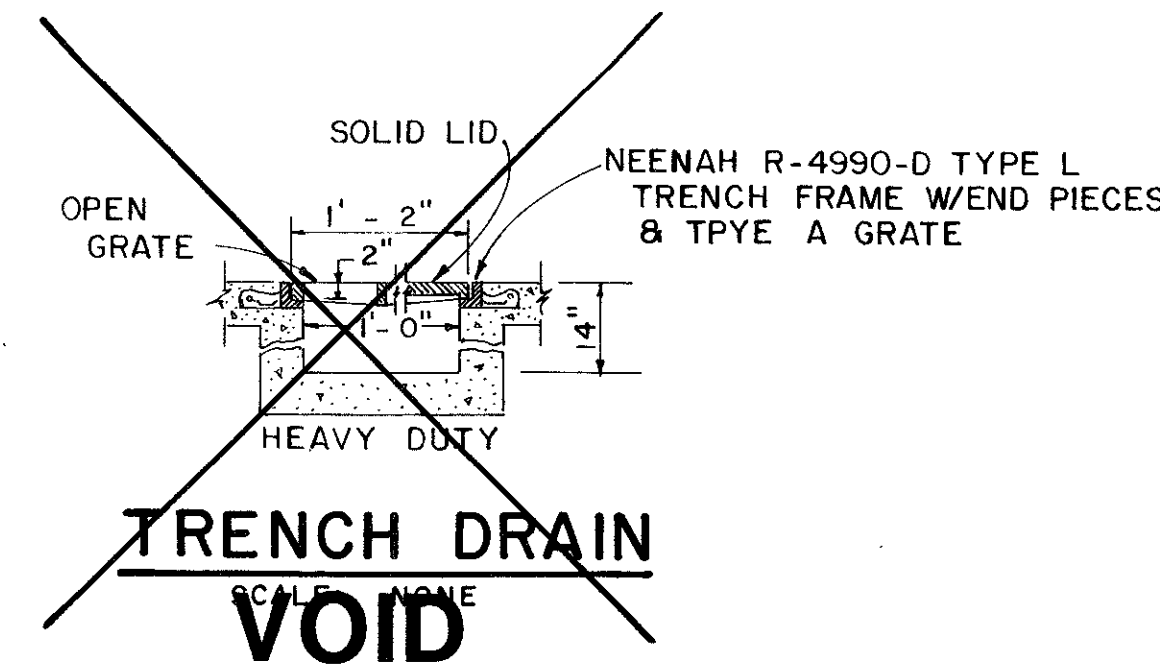
SECTION-METER BOX



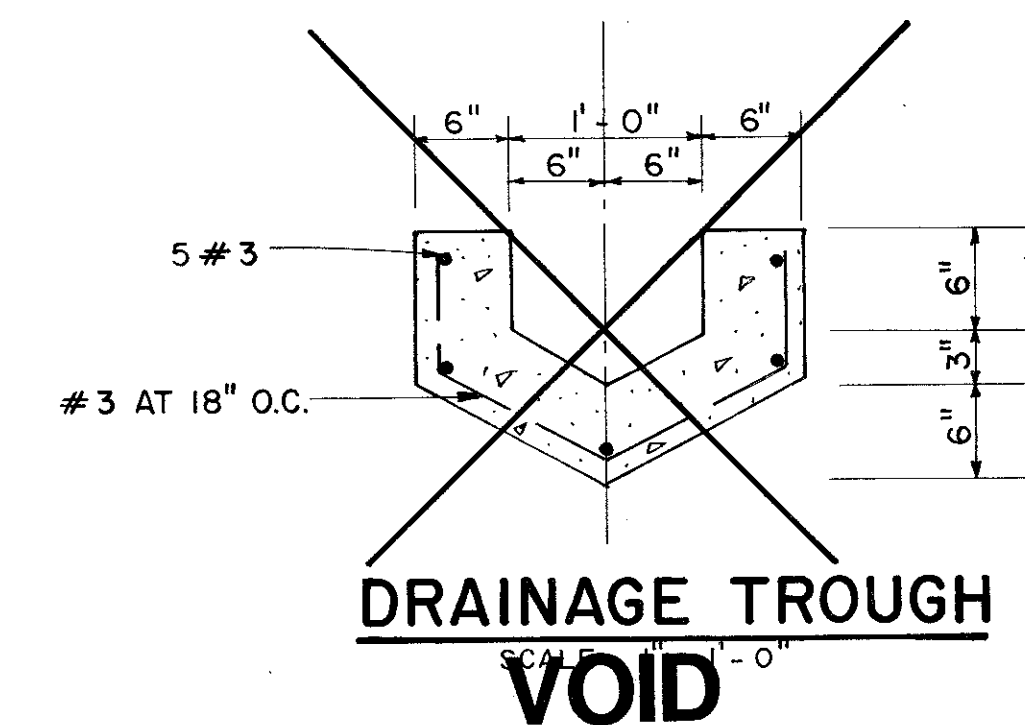
STANDARD PRECAST MANHOLE



VALVE BOX DETAIL
VOID

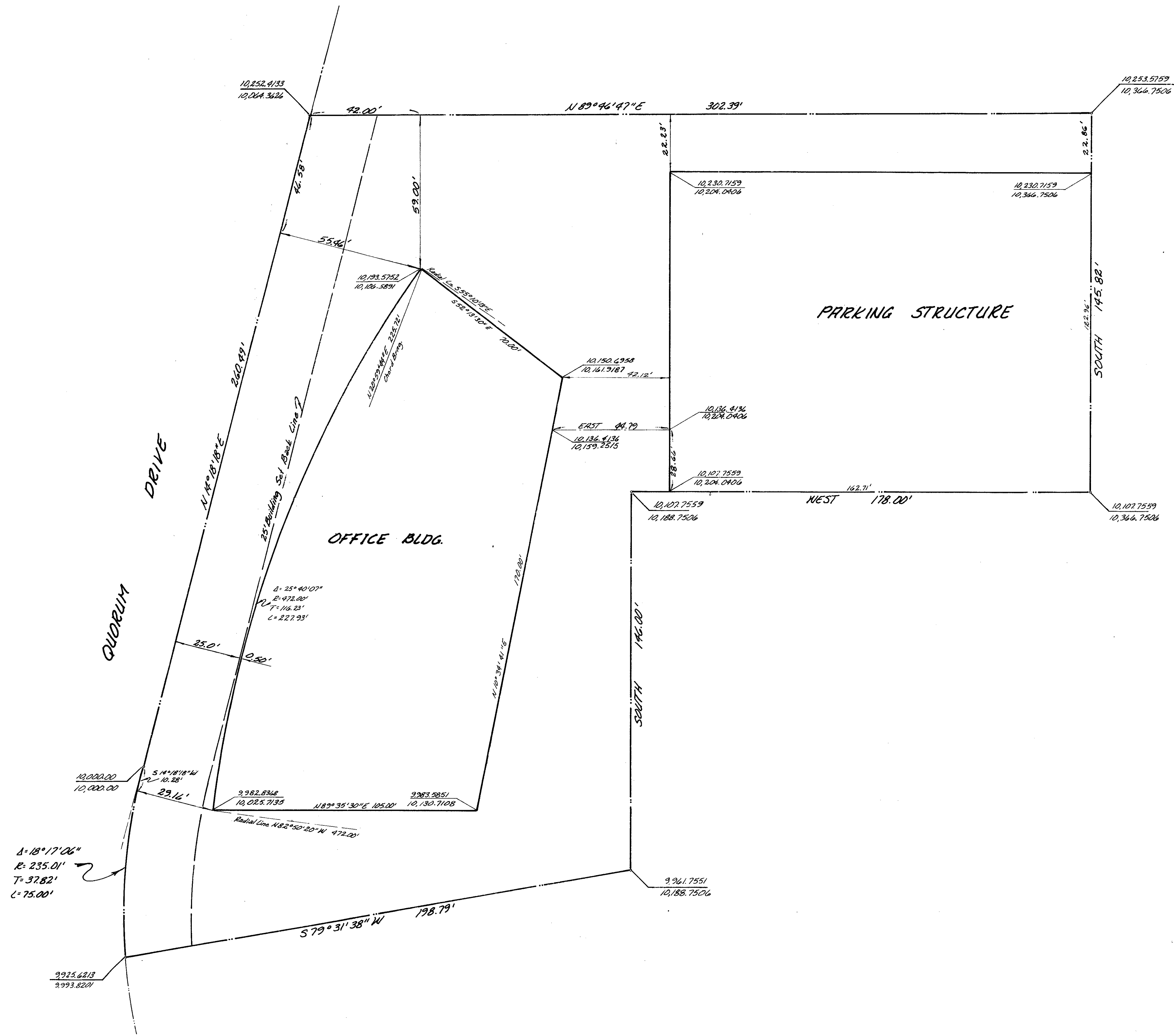
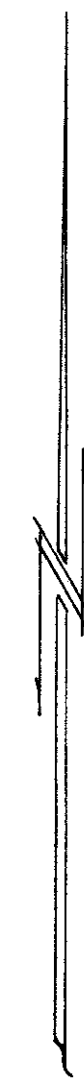


TRENCH DRAIN
VOID



DRAINAGE TROUGH
VOID

2-29-84	2	Revised Meter Box & MH Details.	GTS
2-2-84	Δ	Trench Drain Sect., Deleted Drain, Trough Det.	RFS
DATE	No.	REVISION	BY
MISCELLANEOUS DETAILS			
14850 QUORUM DRIVE			
THE MURPHREE COMPANY			
CITY OF ADDISON, TEXAS			
INTERTECH ENGINEERS, INC.			
DESIGN	DRAWN	DATE	SCALE
RLBA	BY	1-13-84	AS SHOWN
NOTES	FILE	SHEET NO.	6 of 7



$\Delta = 18^{\circ} 17' 06''$
 $R = 235.01'$
 $T = 37.82'$
 $L = 75.00'$

Intertech ENGINEERS INC
 13150 COIT ROAD SUITE 125 DALLAS TEXAS 75240
 TELEPHONE 214 699-8000 TELEFAX 73-8455
 January 23, 1984 SCALE: 1" = 20'

2-2-84	I	Drawing Added	RFS
DATE	No.	REVISION	BY
DIMENSIONAL CONTROL			
14850 QUORUM DRIVE			
THE MURPHREE COMPANY			
CITY OF ADDISON, TEXAS			
INTERTECH ENGINEERS, INC.			
DESIGN	DRAWN	DATE	SCALE
I.E.I.	I.E.I.	1-13-84	1" = 20'
FILE	NOTES	SHEET #	
		7 of 7	