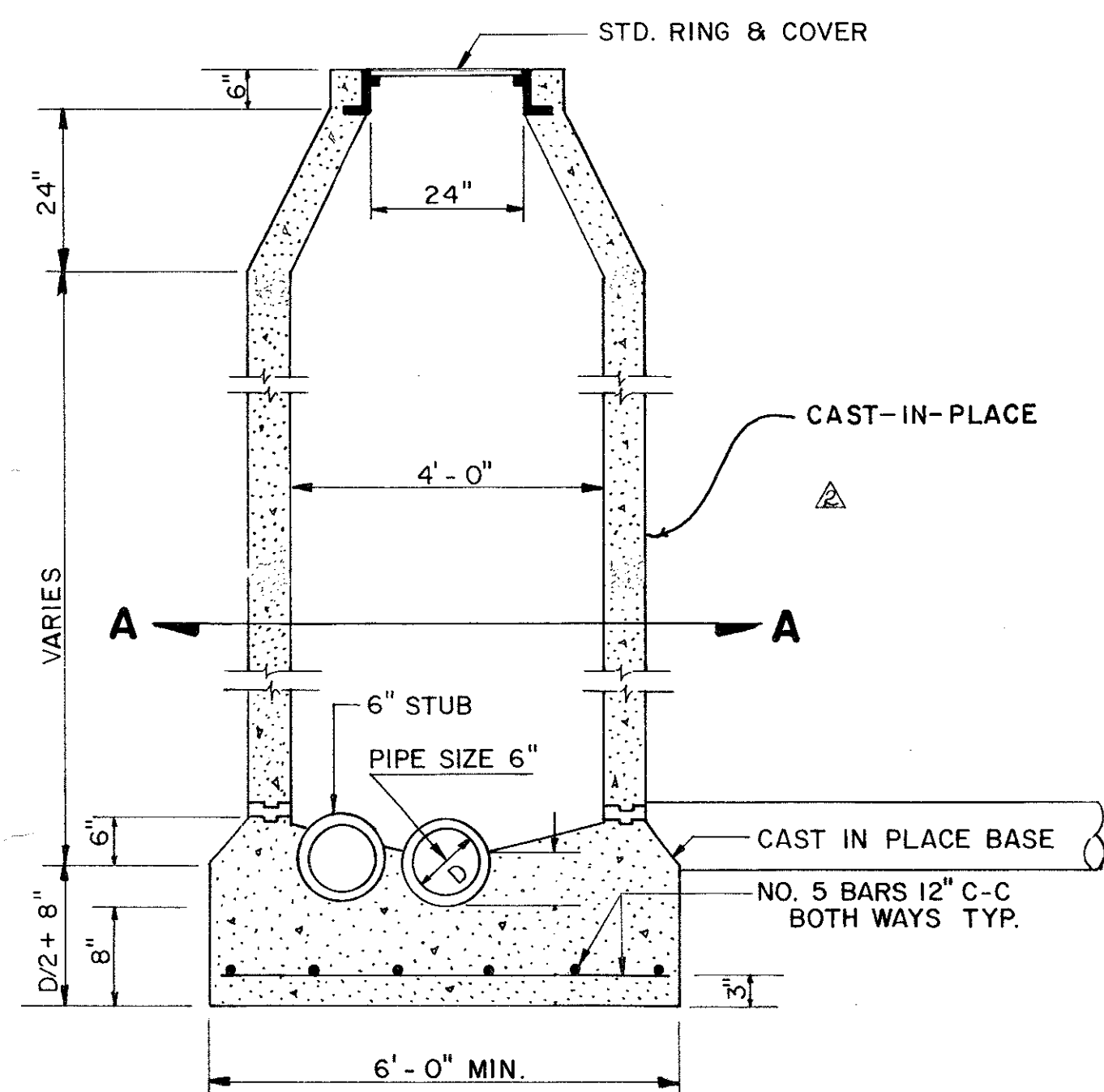
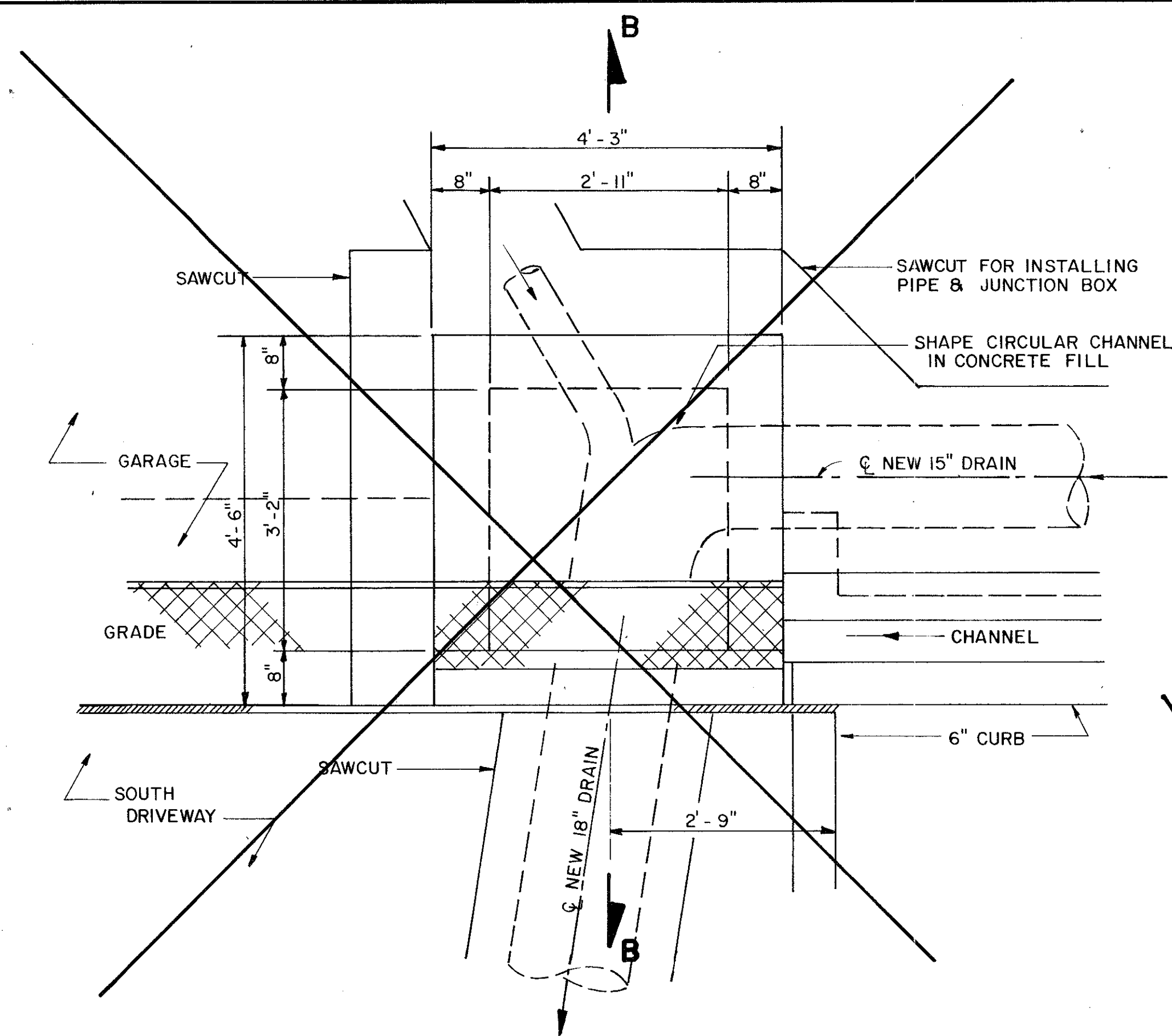


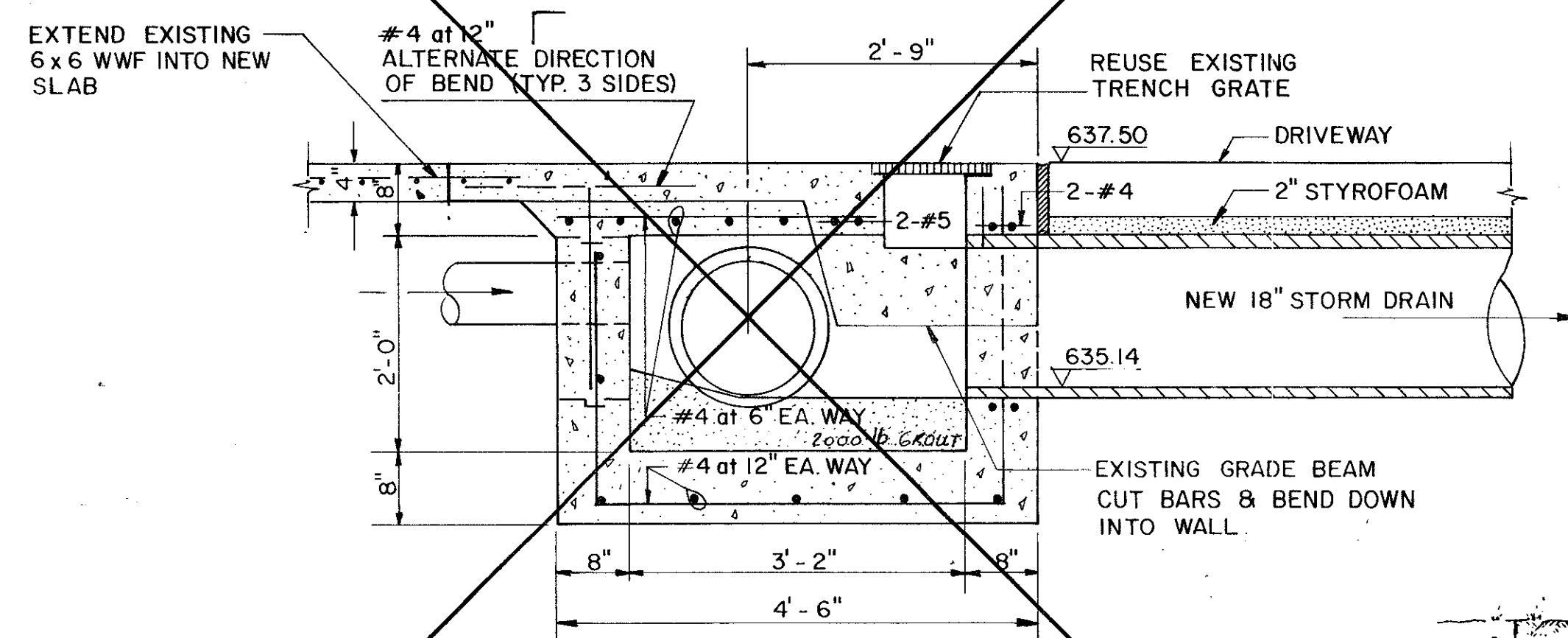
SECTION A-A STA. 0+00 Δ
SCALE: 3/4" = 1'-0"



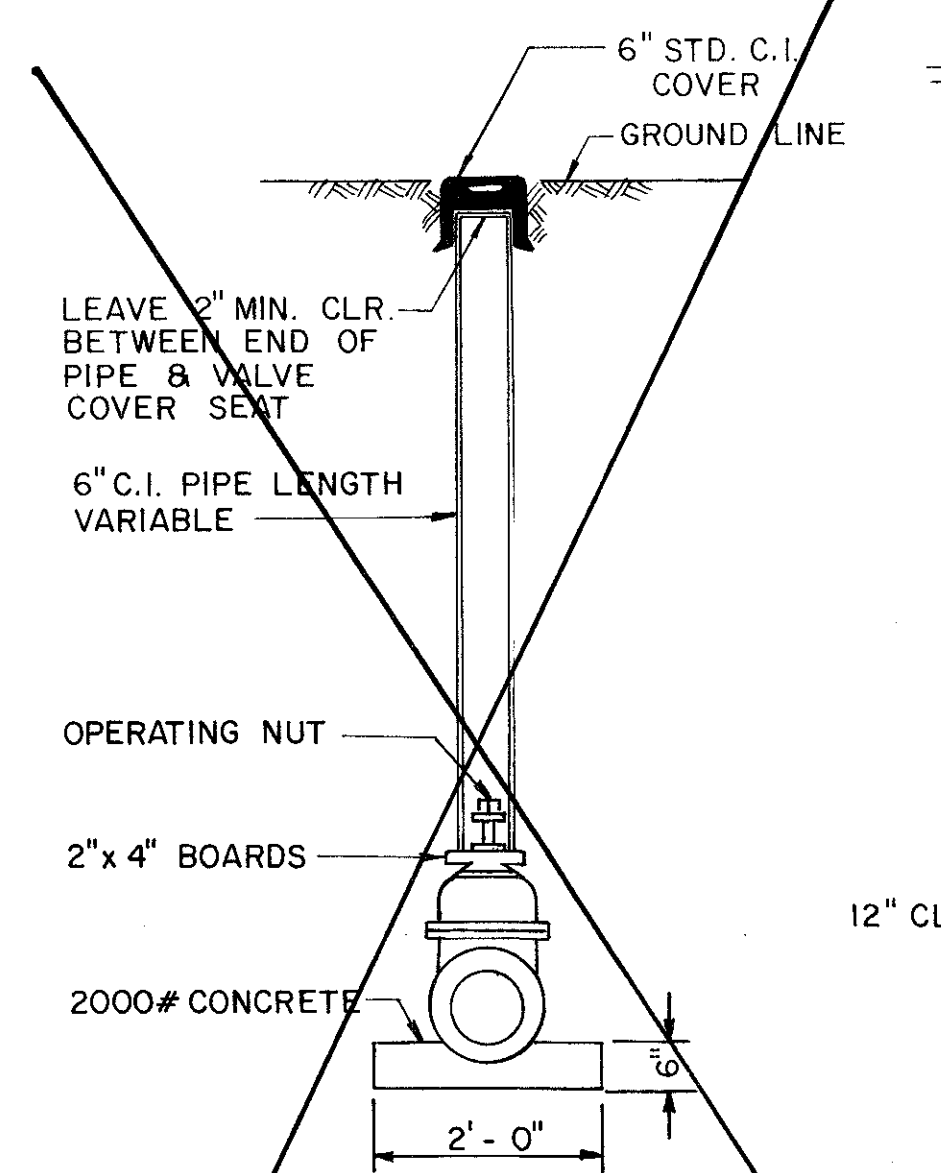
STANDARD MANHOLE
(Existing Sanitary Sewer) Δ



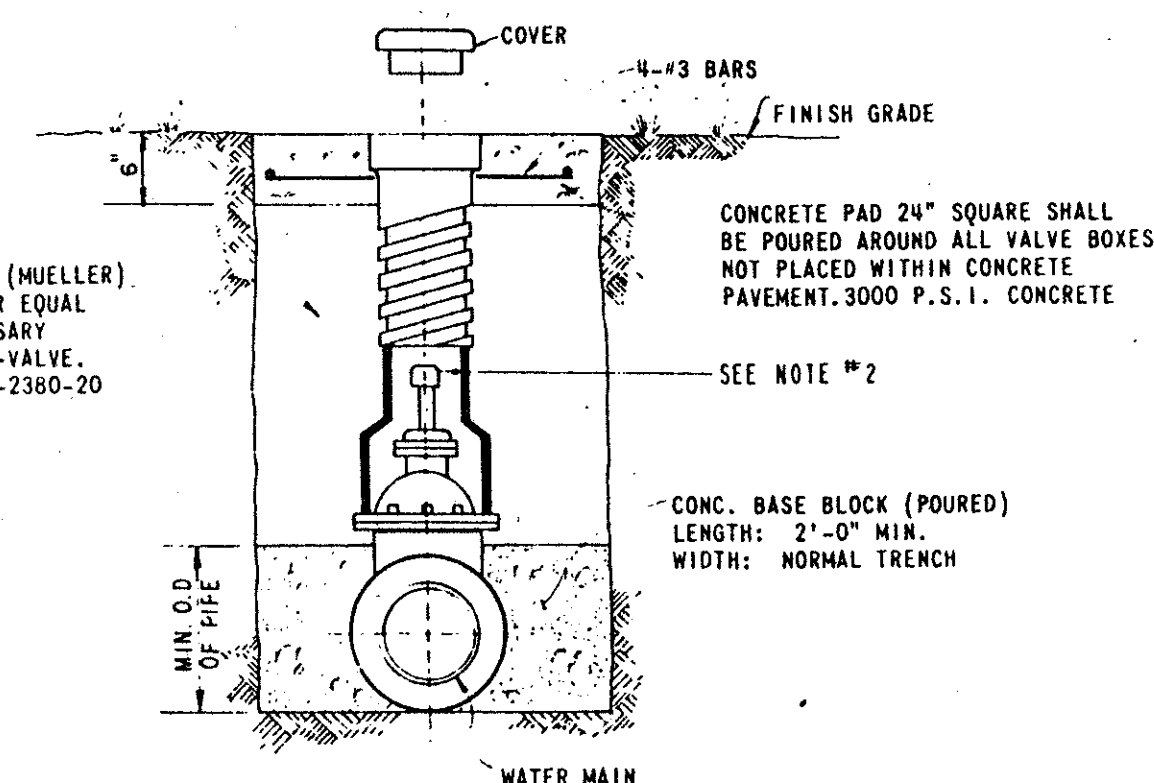
JUNCTION BOX-PLAN
SCALE: 3/4" = 1'-0"
VOID



SECTION B-B
SCALE: 3/4" = 1'-0"
VOID

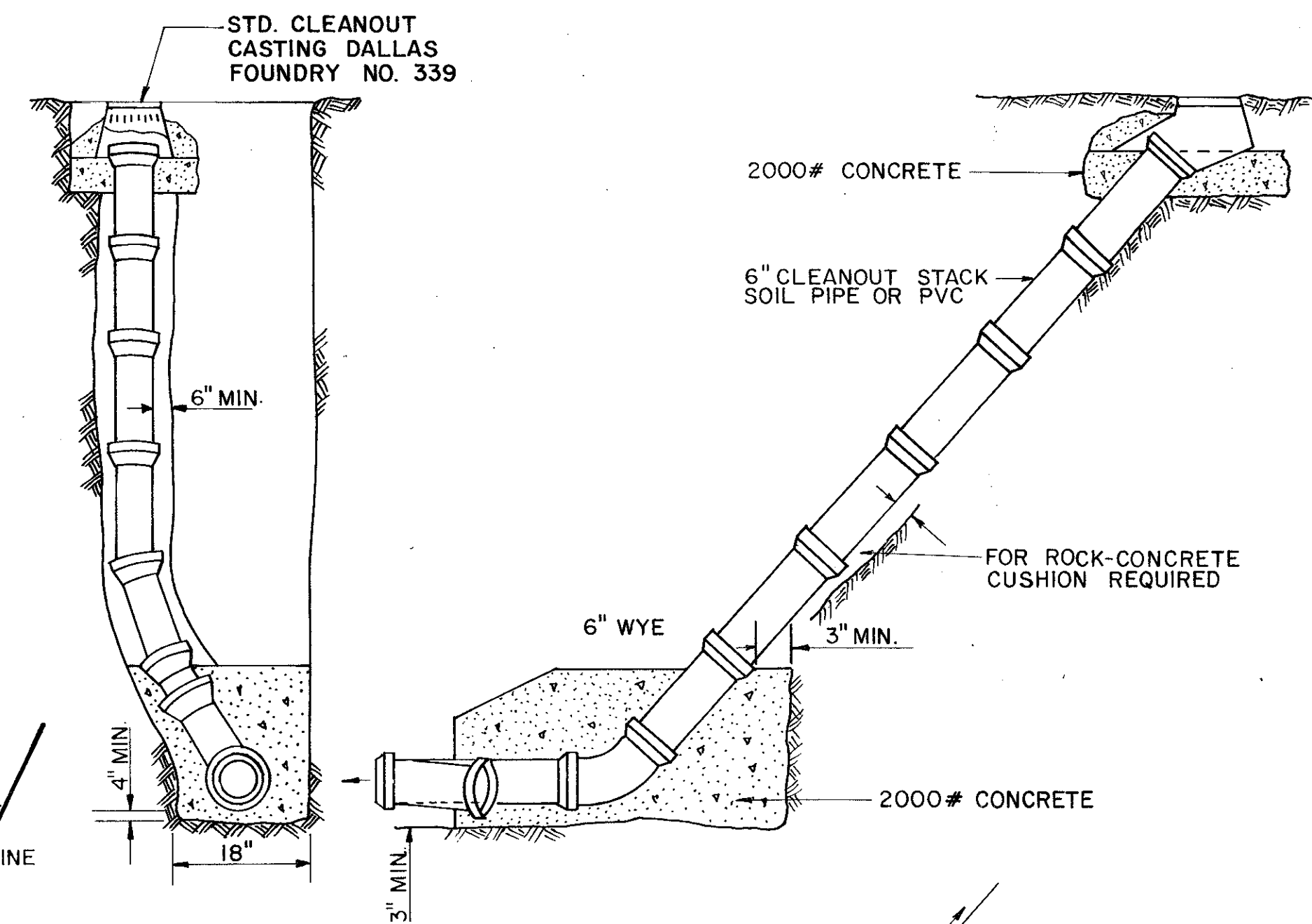


VALVE BOX DETAIL
VOID



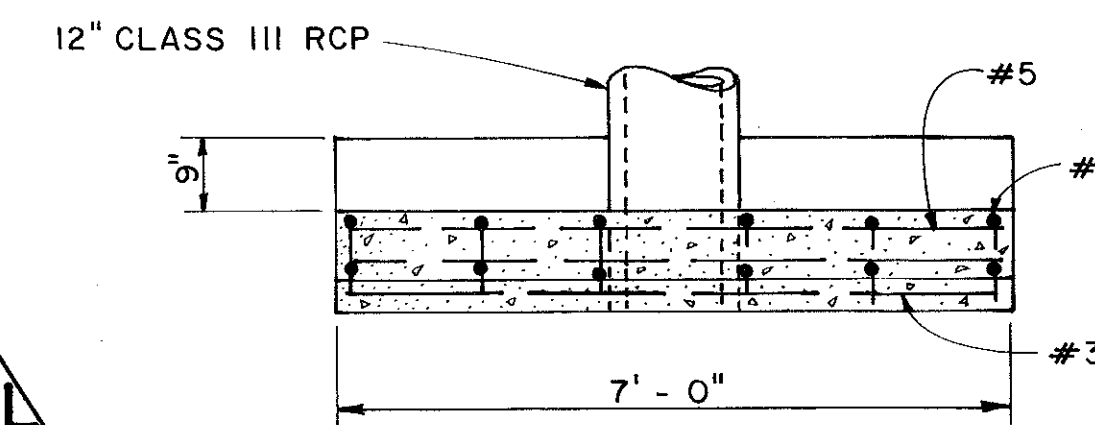
NOTE:
1. 4"-12" GATE VALVES SHALL BE IN ACCORDANCE WITH AWWA STANDARD C-509-80 OR LATEST THEREOF. ALL VALVES SHALL BE MUELLER A-2370 OR APPROVED EQUAL.
2. A PERMANENTLY ATTACHED VALVE EXTENSION STEM SHALL BE REQUIRED FOR ANY VALVE THATS OPERATING NUT IS LOCATED IN EXCESS OF 4 FEET BELOW THE TOP OF VALVE BOX. THIS EXTENSION SHALL BE OF SUFFICIENT LENGTH TO INSURE THAT ITS TOP IS WITHIN 4' OF VALVE BOX LID.

TYPICAL VALVE SETTING AND BOX



CLEANOUT DETAIL

SCHEMATIC (PLAN) OF CLEANOUT



TYPE A HEADWALL
SCALE: 1/2" = 1'-0"

2-29-84	Δ	Revised Valve Box Detail & MH Detail	GTS
2-2-84	Δ	Clarified Existing San. Sewer M.H.	RFS
DATE	No.	REVISION	BY
SANITARY, WATER & STORM DETAILS			
14850 QUORUM DRIVE			
THE MURPHREE COMPANY			
CITY OF ADDISON, TEXAS			
INTERTECH ENGINEERS, INC.			
DESIGN	DRAWN	DATE	SCALE
RLBA	BY	1-13-84	AS SHOWN
NOTES	FILE	SHEET NO.	
			5 of 7