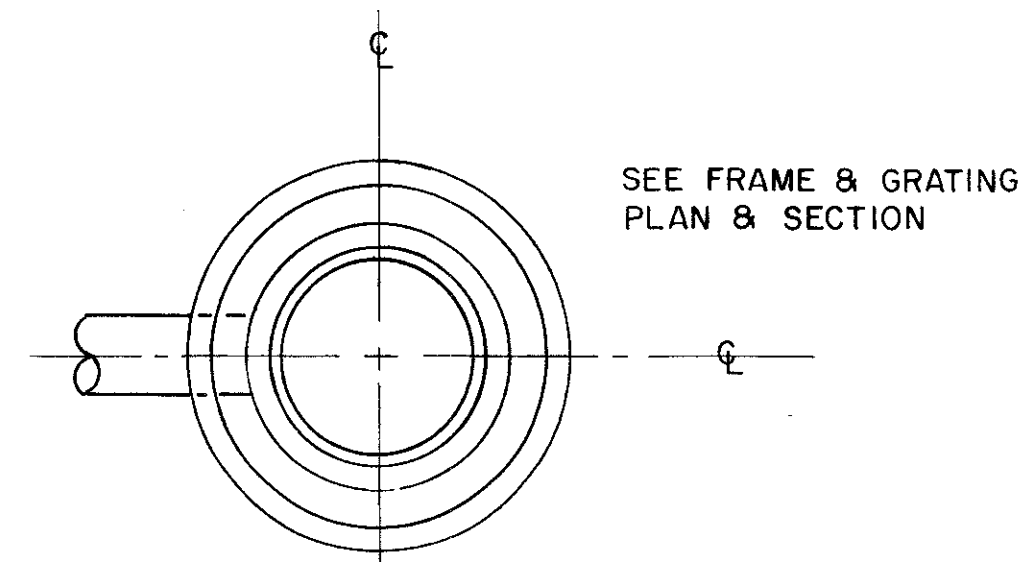
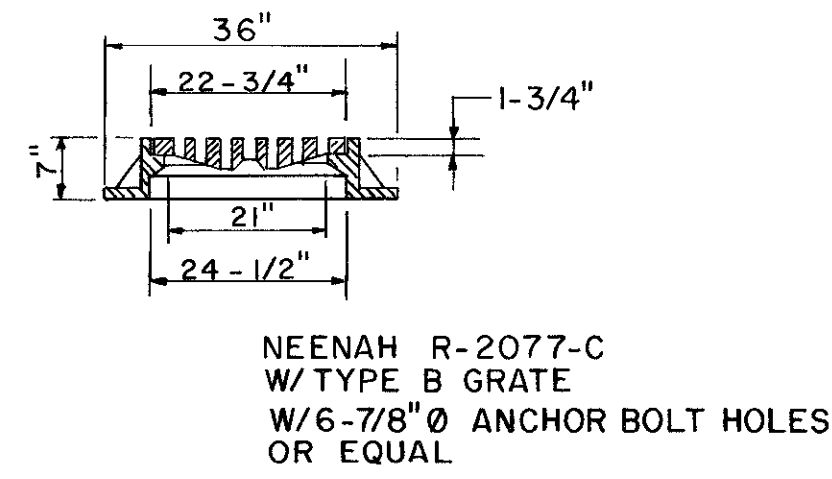


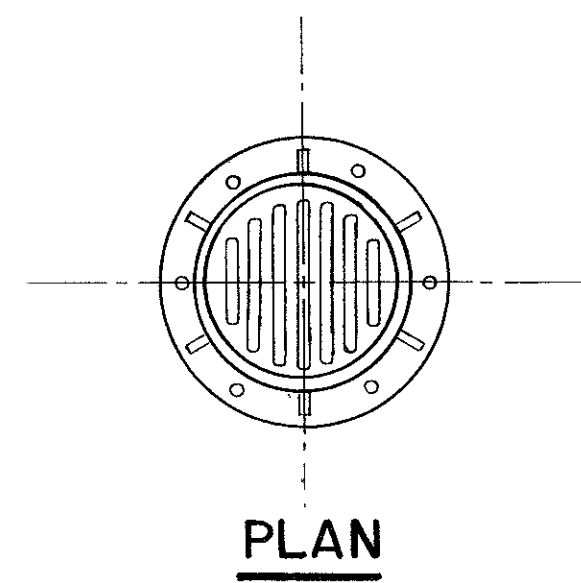
**SECTION**  
SCALE: 1/2"=1'-0"



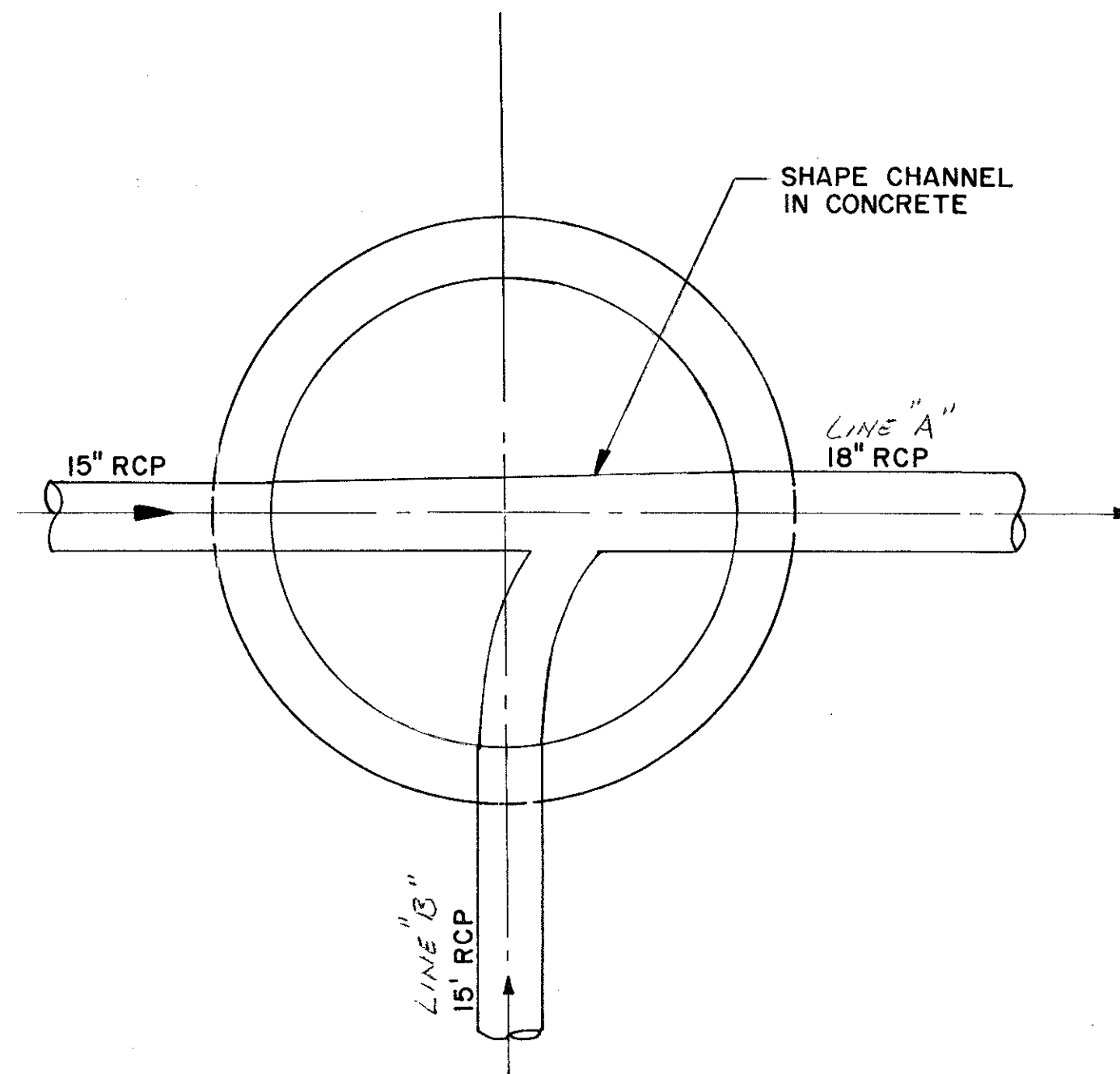
**PLAN**  
CAST IN PLACE DRAINAGE INLET



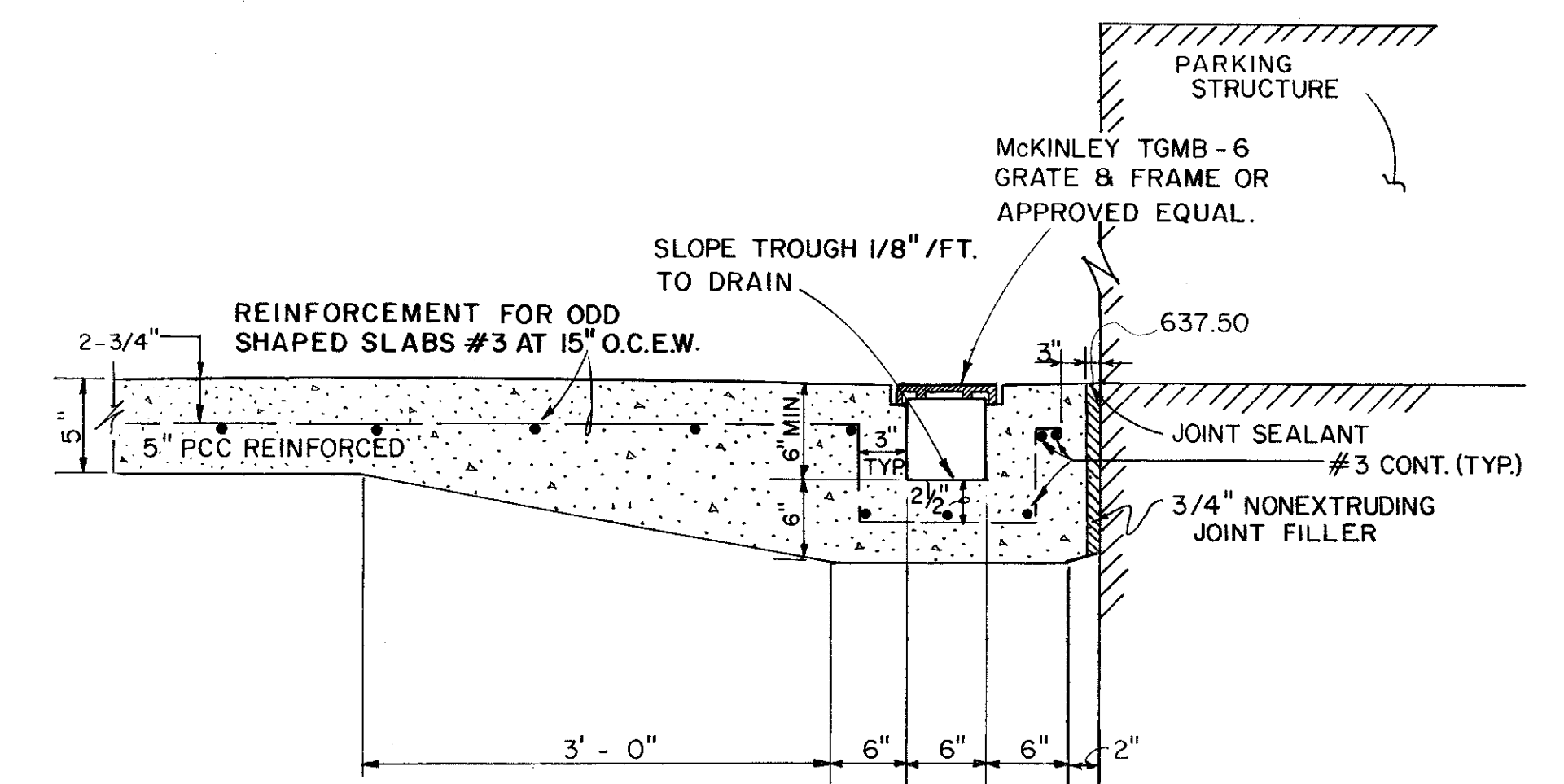
**SECTION**  
SCALE: 1/2"=1'-0"



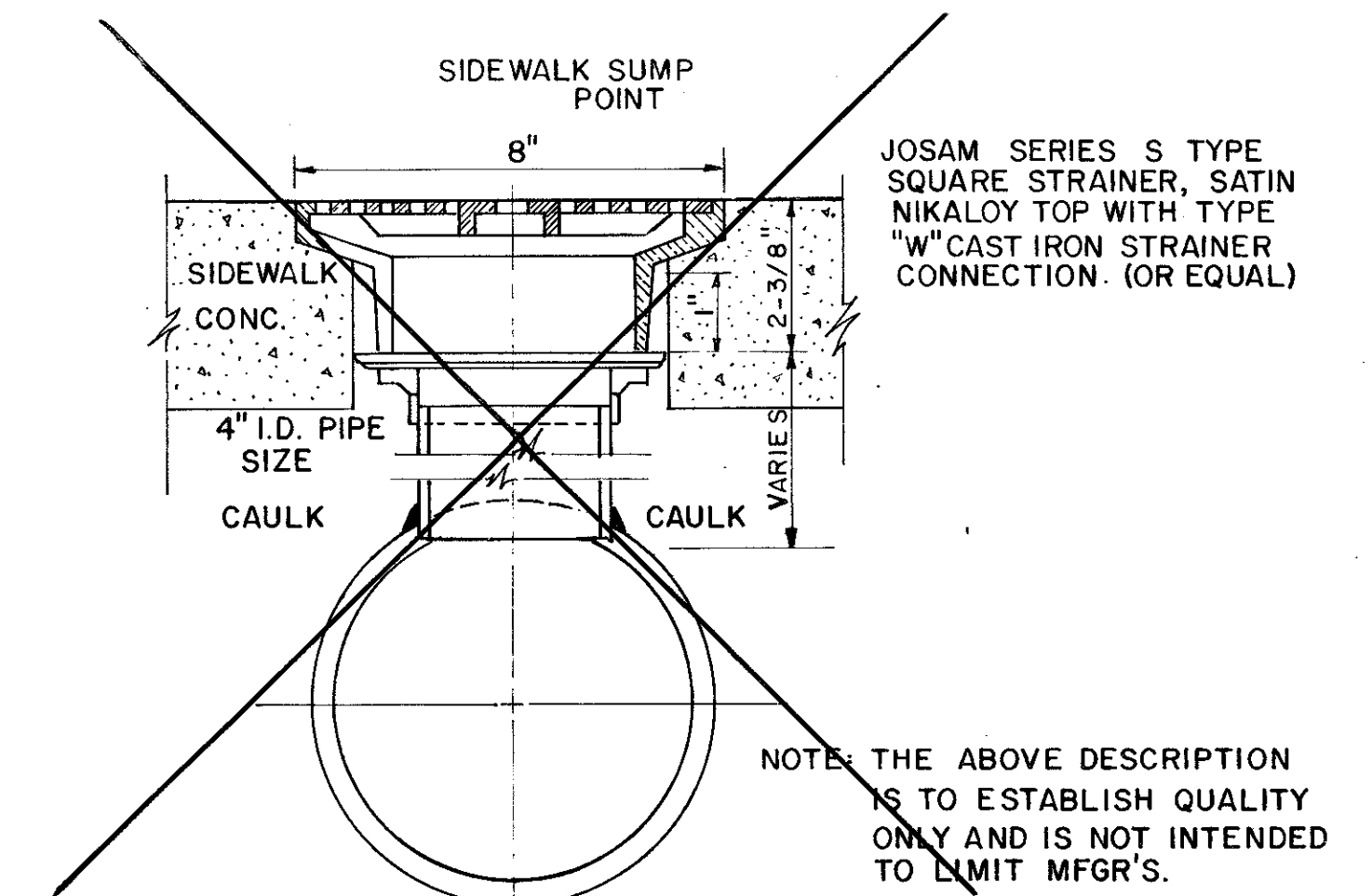
**FRAME & GRATING FOR DRAINAGE INLETS**



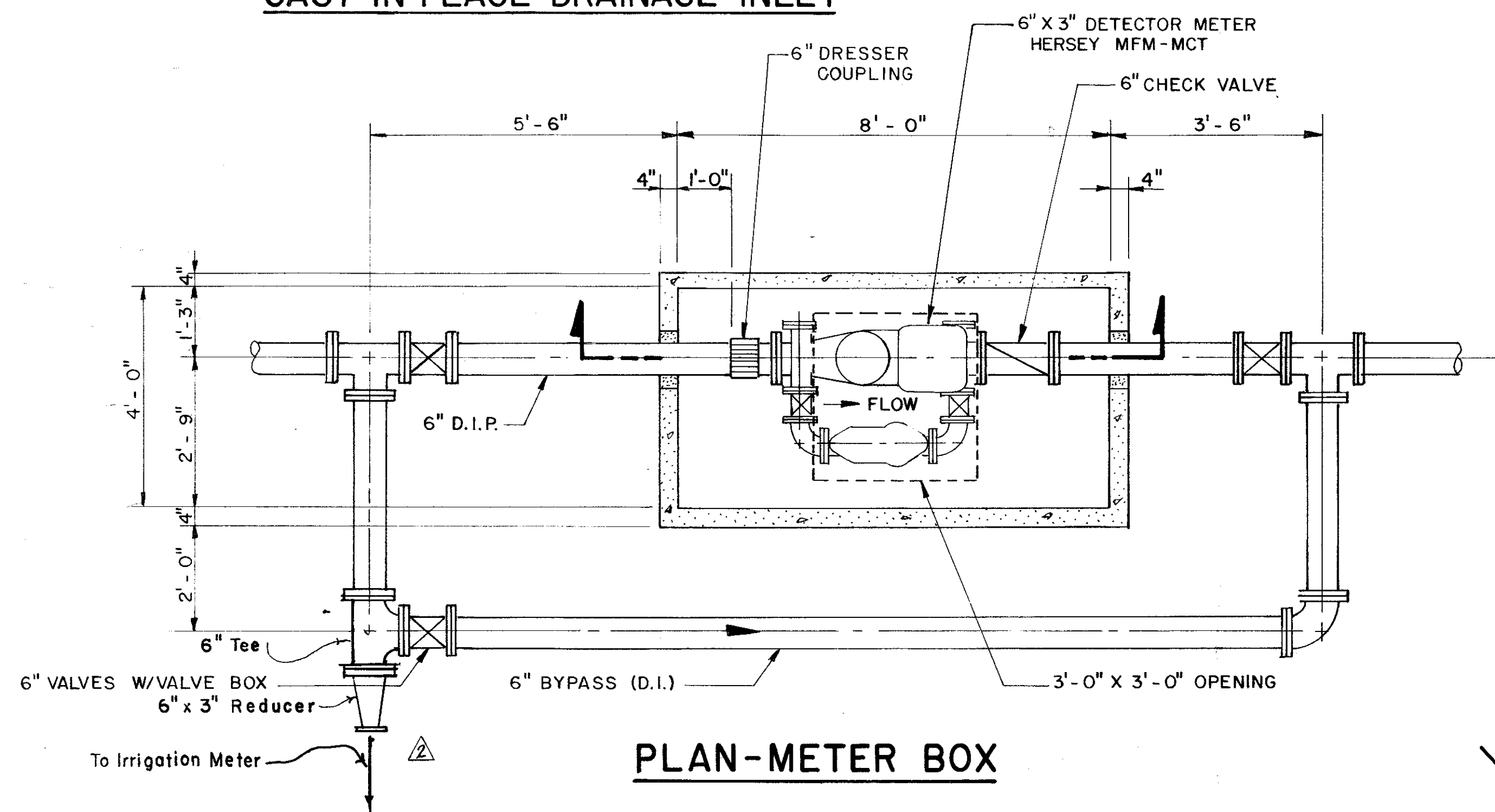
**SECTION A-A**  
SCALE: NONE



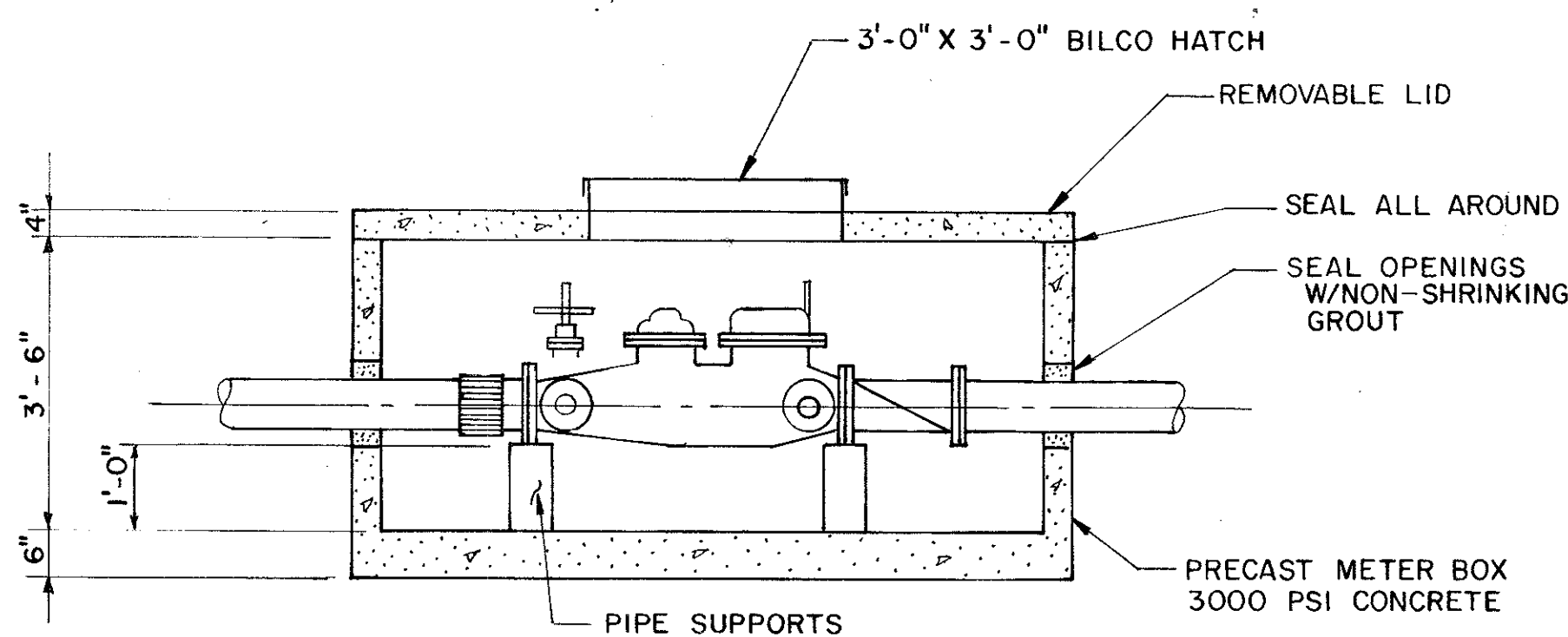
**TRENCH DRAIN SECTION**  
NO SCALE



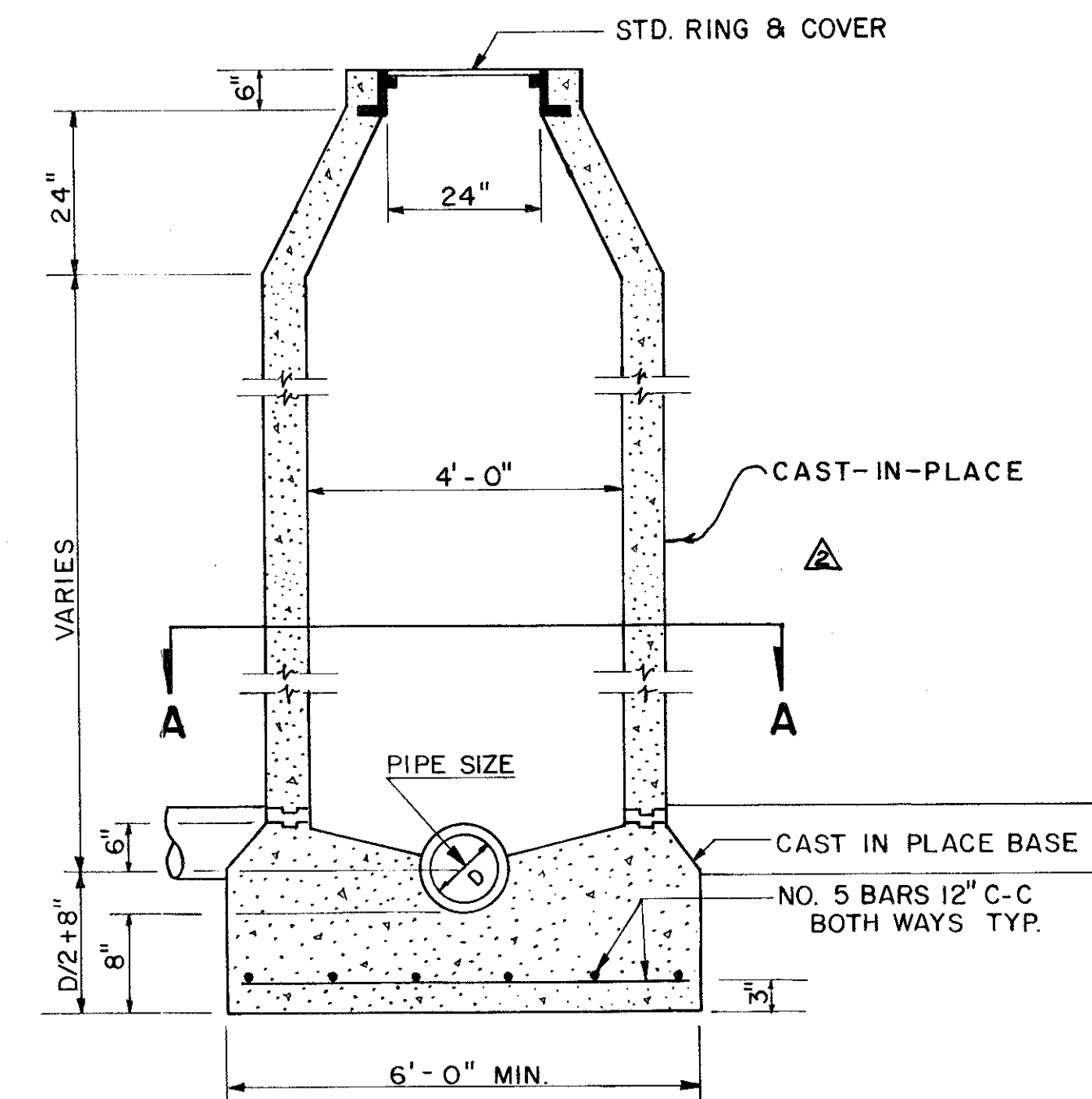
**FLOOR DRAIN DETAIL**  
**VOID**



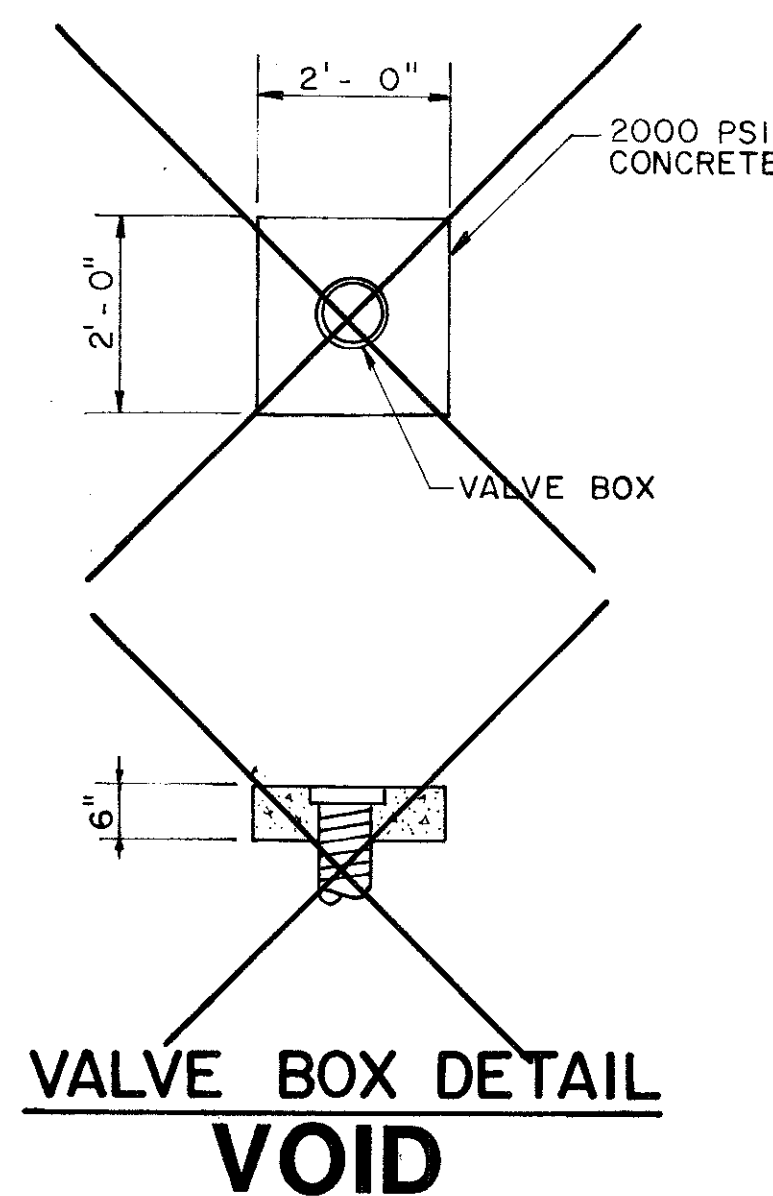
**PLAN-METER BOX**



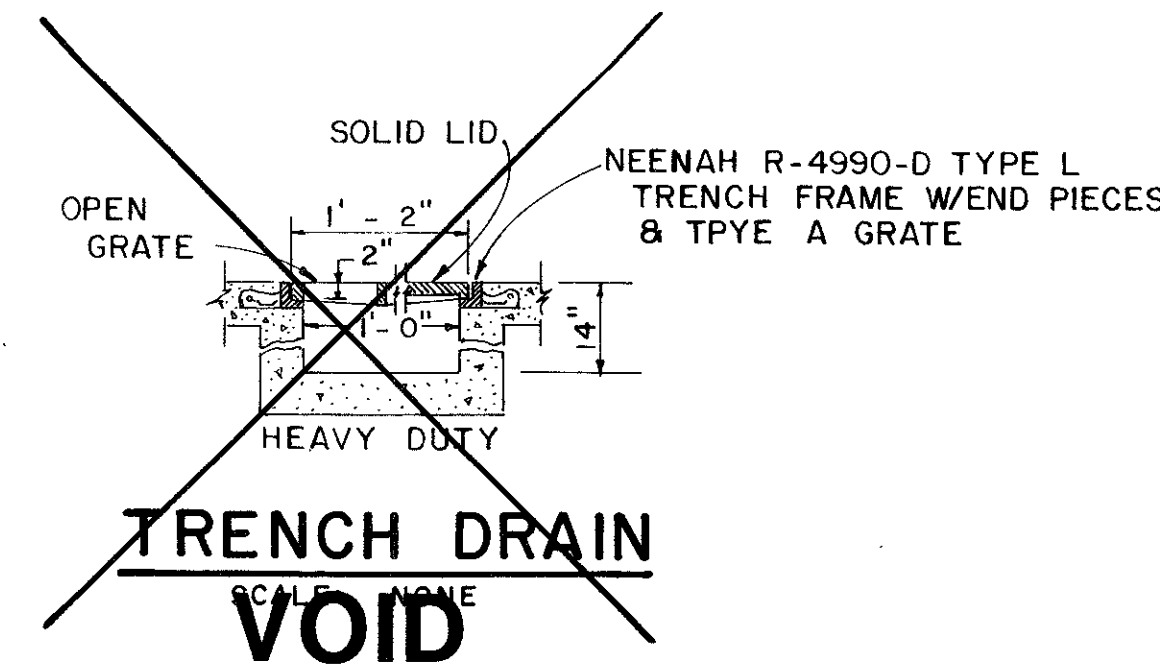
**SECTION-METER BOX**



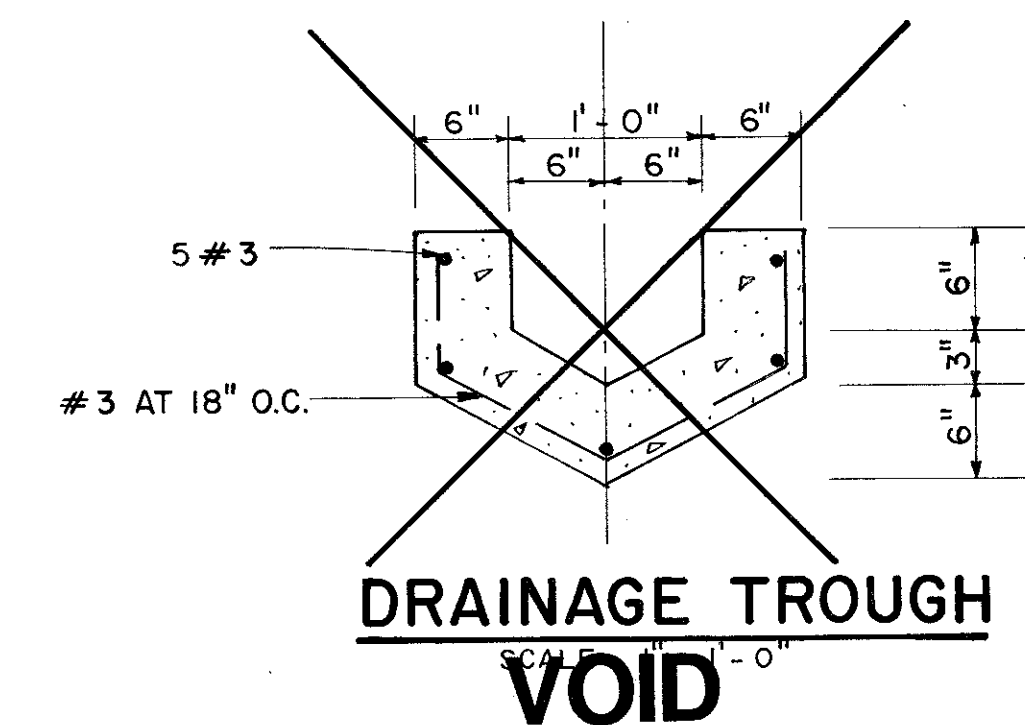
**STANDARD PRECAST MANHOLE**



**VALVE BOX DETAIL**  
**VOID**



**TRENCH DRAIN**  
**VOID**



**DRAINAGE TROUGH**  
**VOID**

2-29-84	2	Revised Meter Box & MH Details.	GTS
2-2-84	Δ	Trench Drain Sect., Deleted Drain, Trough Det.	RFS
<b>DATE</b>	<b>No.</b>	<b>REVISION</b>	<b>BY</b>
<b>MISCELLANEOUS DETAILS</b>			
14850 QUORUM DRIVE			
THE MURPHREE COMPANY			
CITY OF ADDISON, TEXAS			
INTERTECH ENGINEERS, INC.			
<b>DESIGN</b>	<b>DRAWN</b>	<b>DATE</b>	<b>SCALE</b>
RLBA	BY	1-13-84	AS SHOWN
<b>NOTES</b>	<b>FILE</b>	<b>SHEET NO.</b>	
		6 of 7	