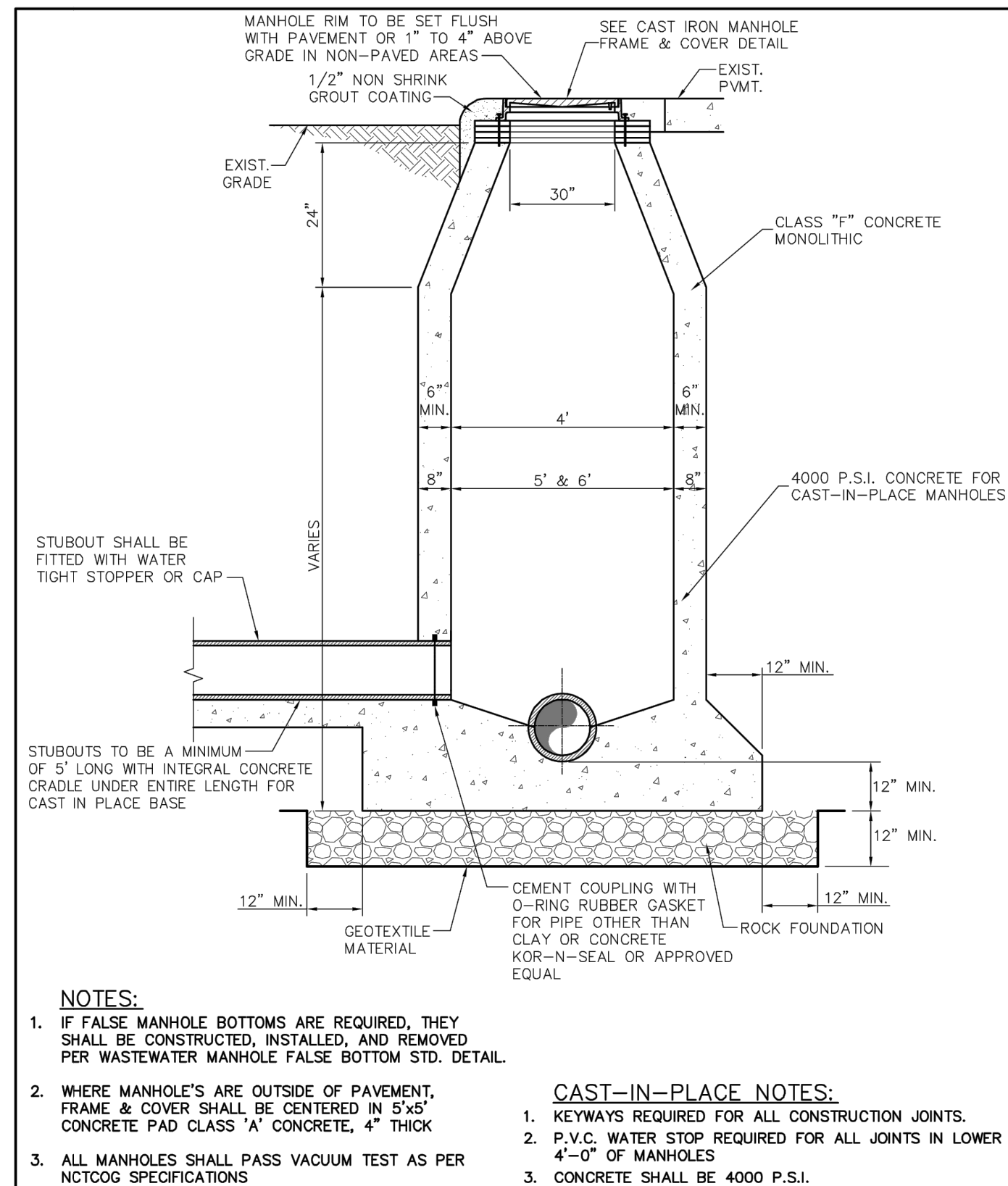
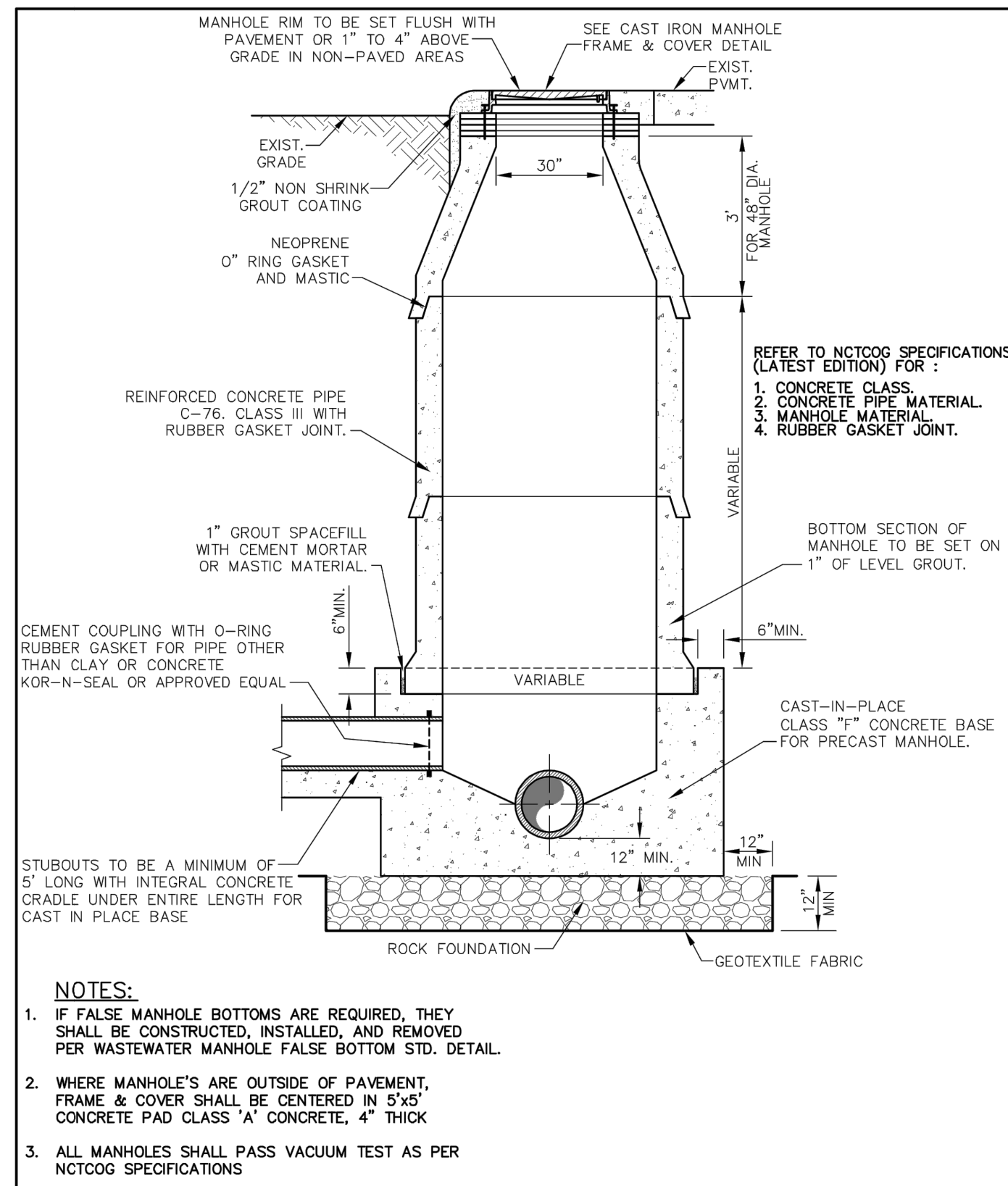


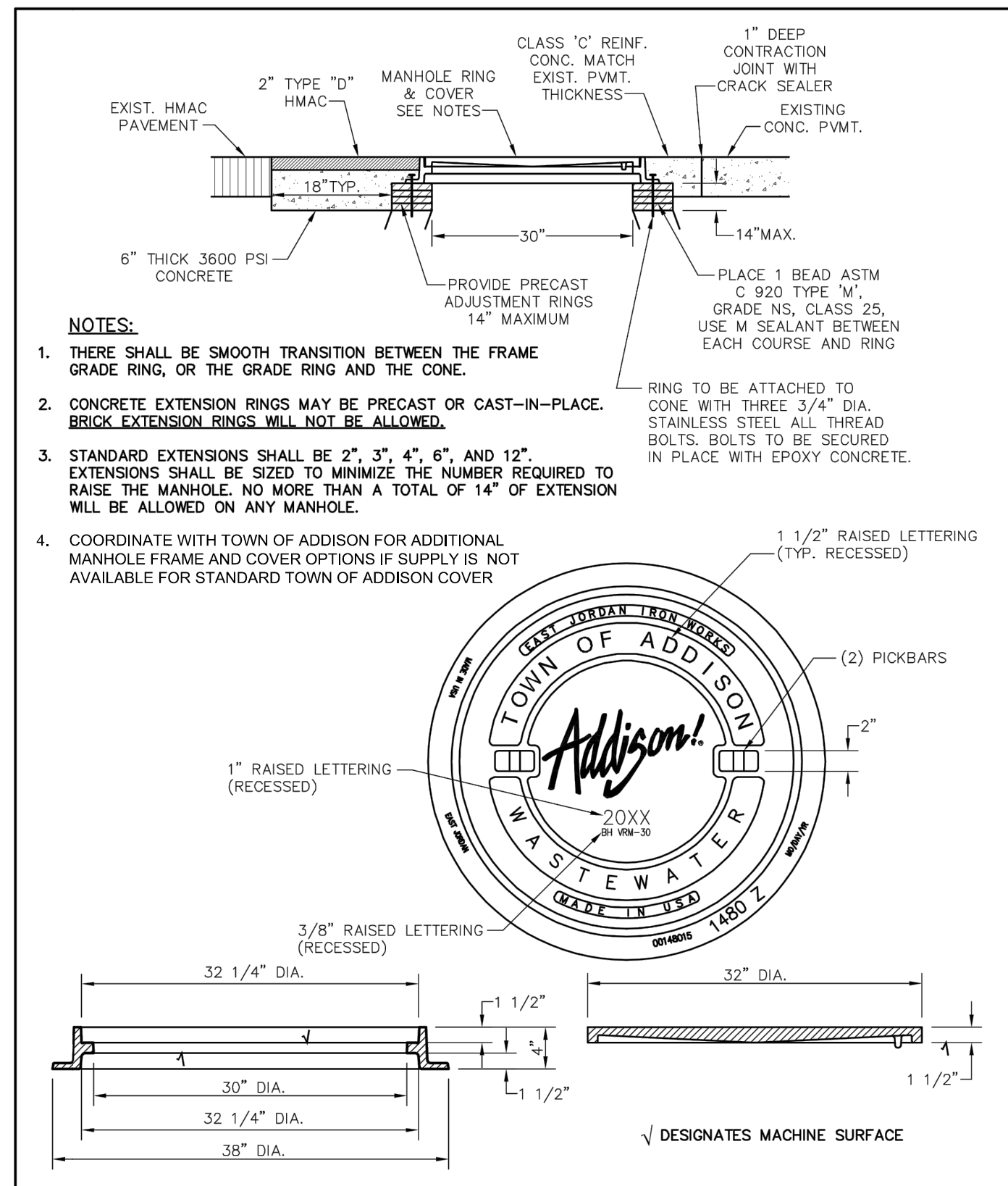
This document, together with the concepts and designs presented herein, is intended only for the specific purpose and client for which it was prepared. Reuse of and improper reliance on this document without written authorization and adaptation by Kimley-Horn and Associates, Inc. shall be without liability to Kimley-Horn and Associates, Inc.



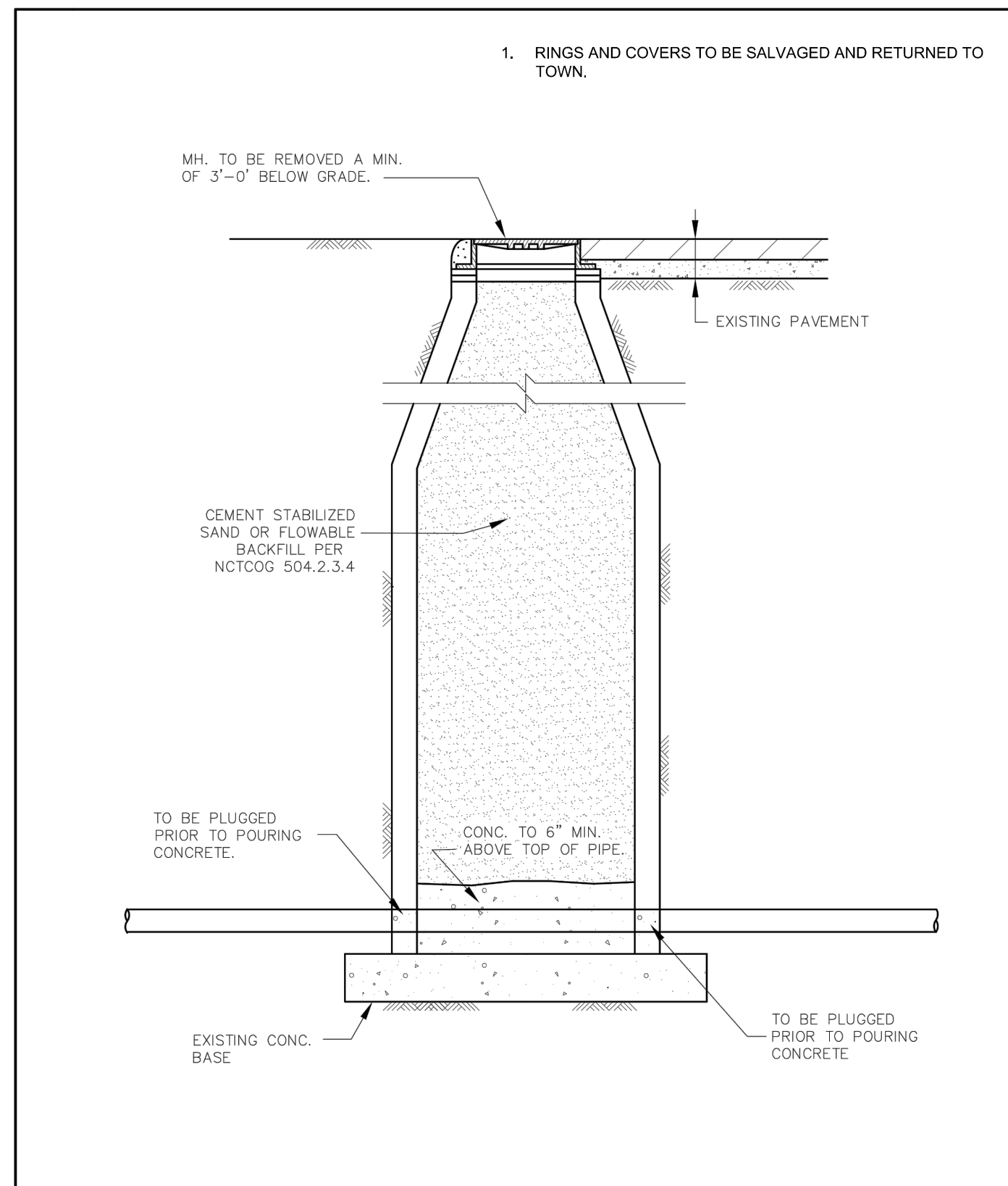
 PUBLIC WORKS DEPARTMENT	CAST-IN-PLACE MANHOLE	STANDARD CONSTRUCTION DETAILS WASTEWATER	
		DATE: AUGUST, 2010	SHEET: SD-WW04



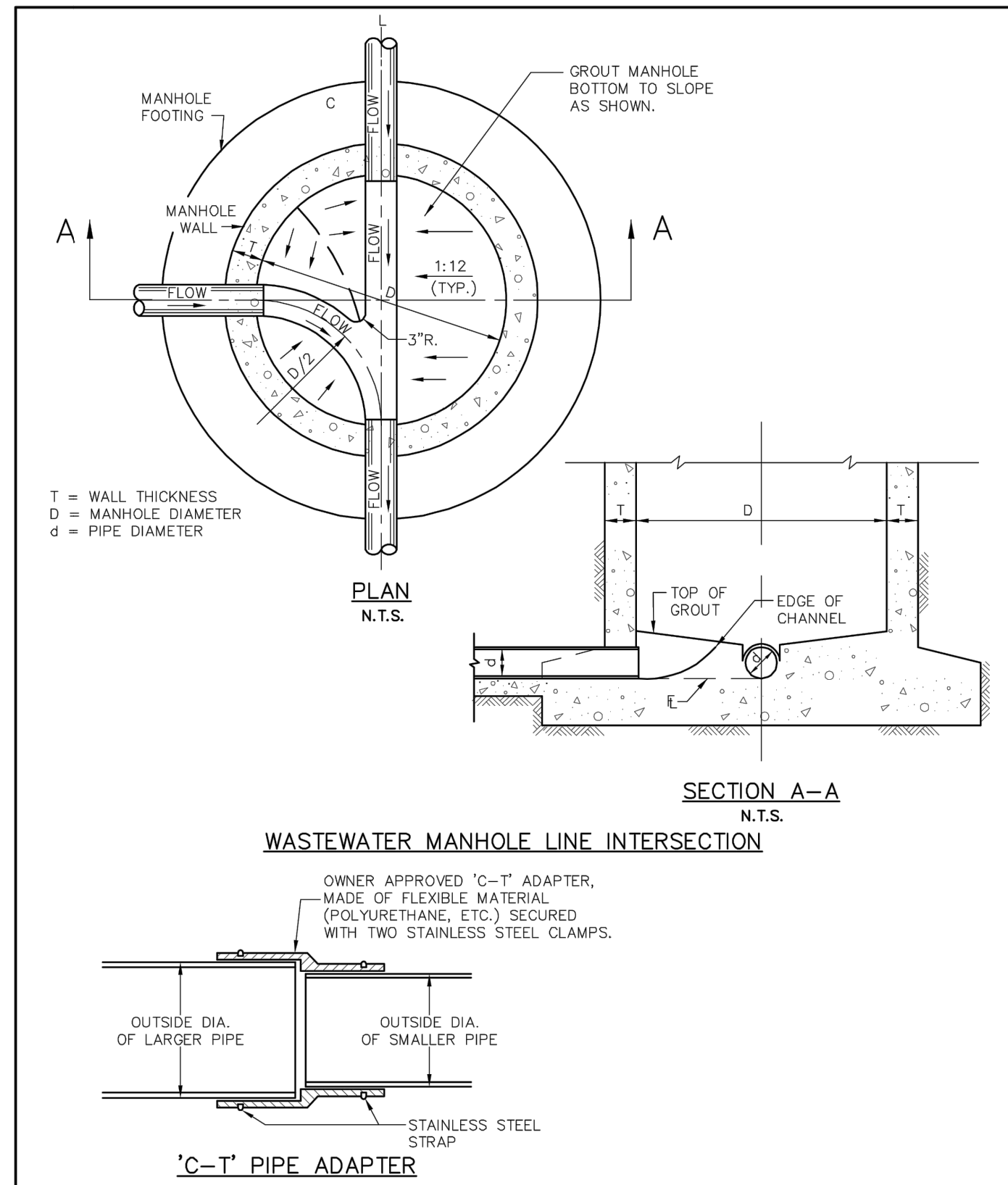
 PUBLIC WORKS DEPARTMENT	PRECAST CONCRETE PIPE MANHOLE ALTERNATE "A"	STANDARD CONSTRUCTION DETAILS WASTEWATER	
		DATE: AUGUST, 2010	SHEET: SD-WW06



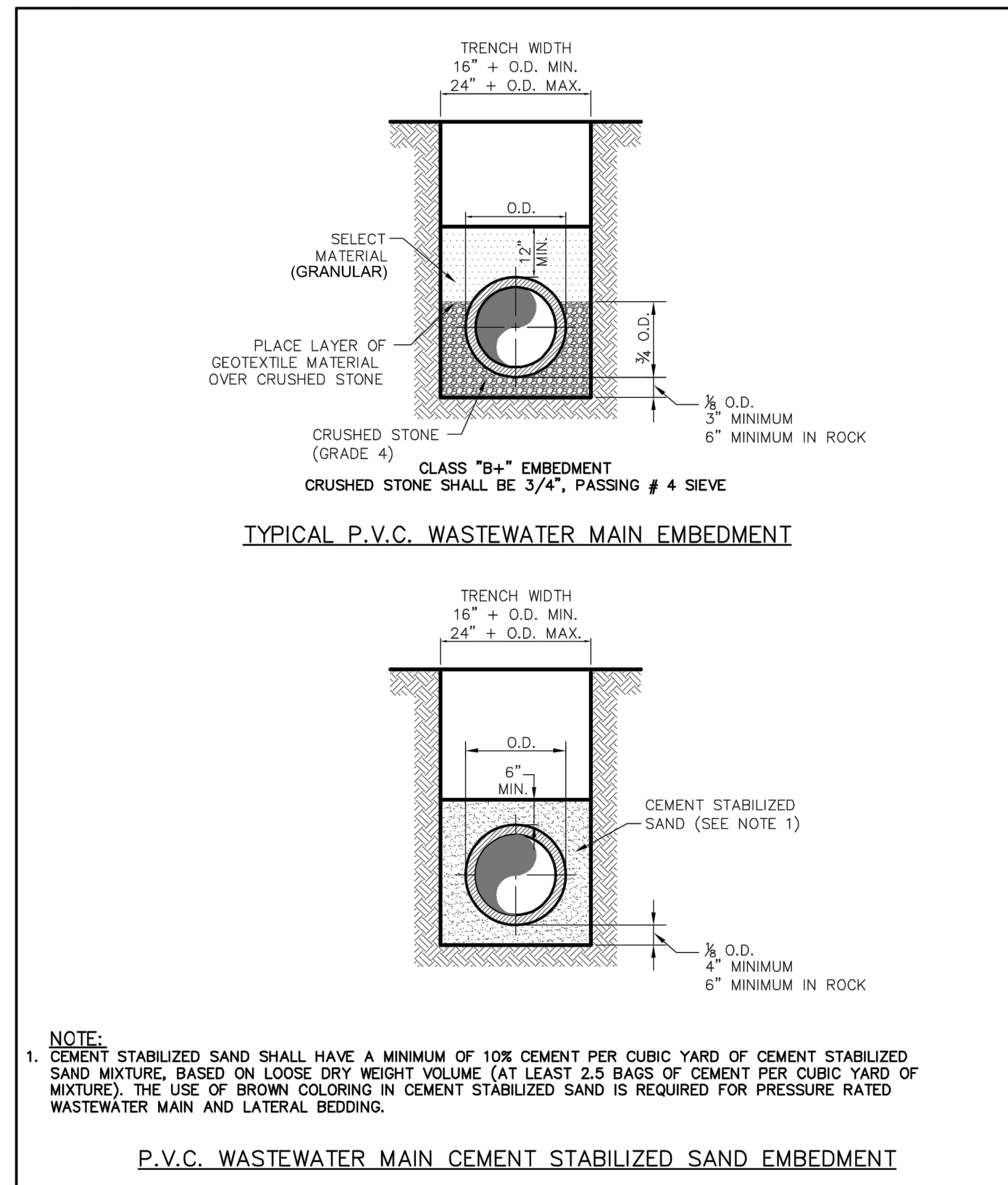
 PUBLIC WORKS DEPARTMENT	CAST IRON MANHOLE FRAME AND COVER	STANDARD CONSTRUCTION DETAILS WASTEWATER	
		DATE: AUGUST, 2010	SHEET: SD-WW11



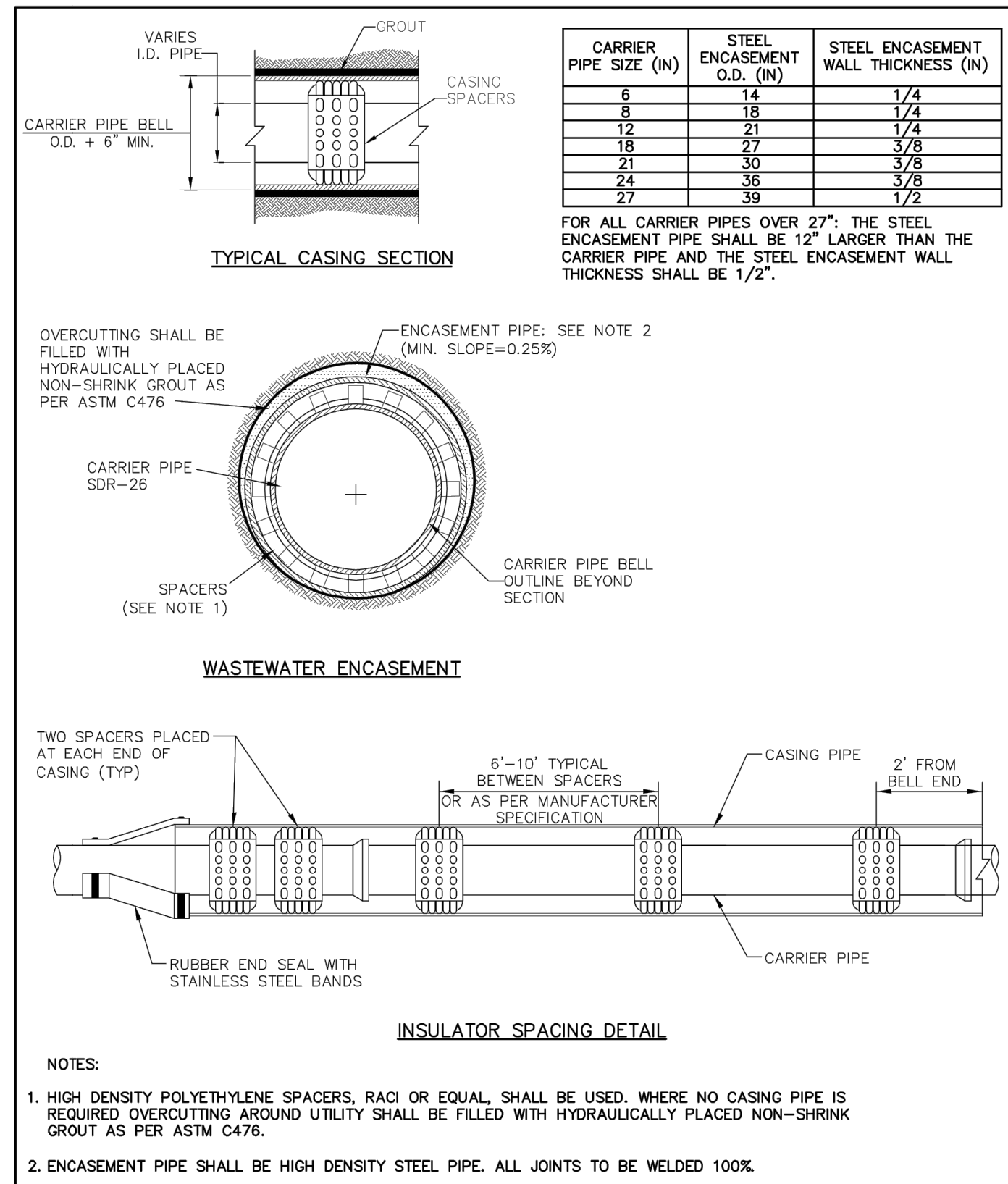
 PUBLIC WORKS DEPARTMENT	ABANDONMENT OF MANHOLE	STANDARD CONSTRUCTION DETAILS WASTEWATER	
		DATE: AUGUST, 2010	SHEET: SD-WW15



 PUBLIC WORKS DEPARTMENT	WASTEWATER MANHOLE LINE INTERSECTION & "C-T" PIPE ADAPTER	STANDARD CONSTRUCTION DETAILS WASTEWATER	
		DATE: AUGUST, 2010	SHEET: SD-WW13



 PUBLIC WORKS DEPARTMENT	P.V.C. WASTEWATER MAIN EMBEDMENT	STANDARD CONSTRUCTION DETAILS WASTEWATER	
		DATE: AUGUST, 2010	SHEET: SD-WW01



 PUBLIC WORKS DEPARTMENT	CASING	STANDARD CONSTRUCTION DETAILS WASTEWATER	
		DATE: AUGUST, 2010	SHEET: SD-WW16

This drawing has been revised to show those changes during the construction process reported by the contractor to Kimley-Horn and Associates, Inc. and considered to be significant. This drawing is not guaranteed to be "As Built" but is based on the information made available.

Date: 05/06/2019 By: RYAN SAFFORD, P.E.

 PUBLIC WORKS DEPARTMENT	BENCHMARKS	STANDARD CONSTRUCTION DETAILS WASTEWATER	
		DATE: AUGUST, 2010	SHEET: SD-WW18

SCALE AS SHOWN	DESIGNED BY KMB	DRAWN BY KMB	CHECKED BY MKW
<b>CONSTRUCTION DETAILS</b>			
<b>AMLI AT ADDISON OFF-SITE SEWER CITY OF ADDISON DALLAS COUNTY, TEXAS</b>			
DATE: 08/14/2017	PROJECT NO: 63257052	SHEET NUMBER: C-5	

© 2017 KIMLEY-HORN AND ASSOCIATES, INC.  
5750 GENESIS COURT, SUITE 200, FRISCO, TX 75034  
PHONE: 972-338-3580  
WWW.KIMLEY-HORN.COM  
TEXAS REGISTERED ENGINEERING FIRM F-328