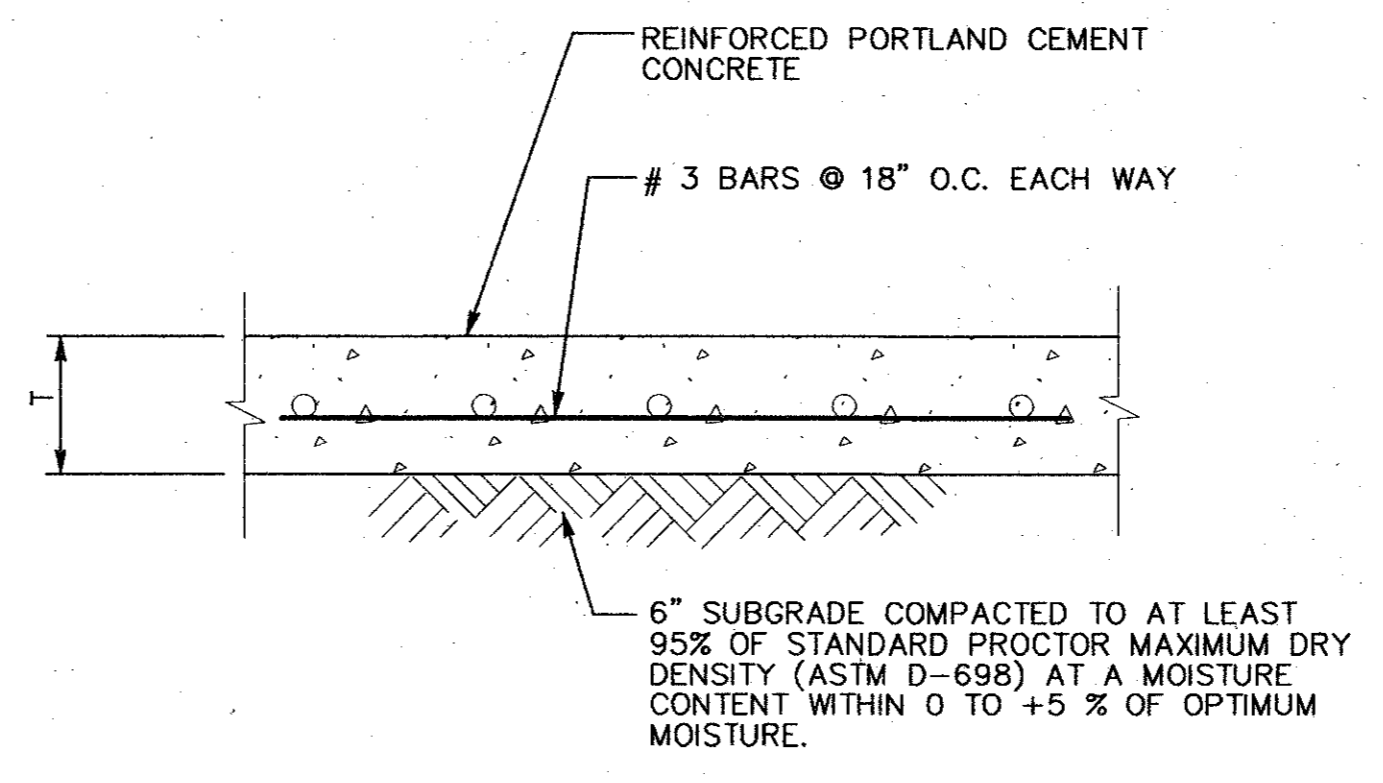
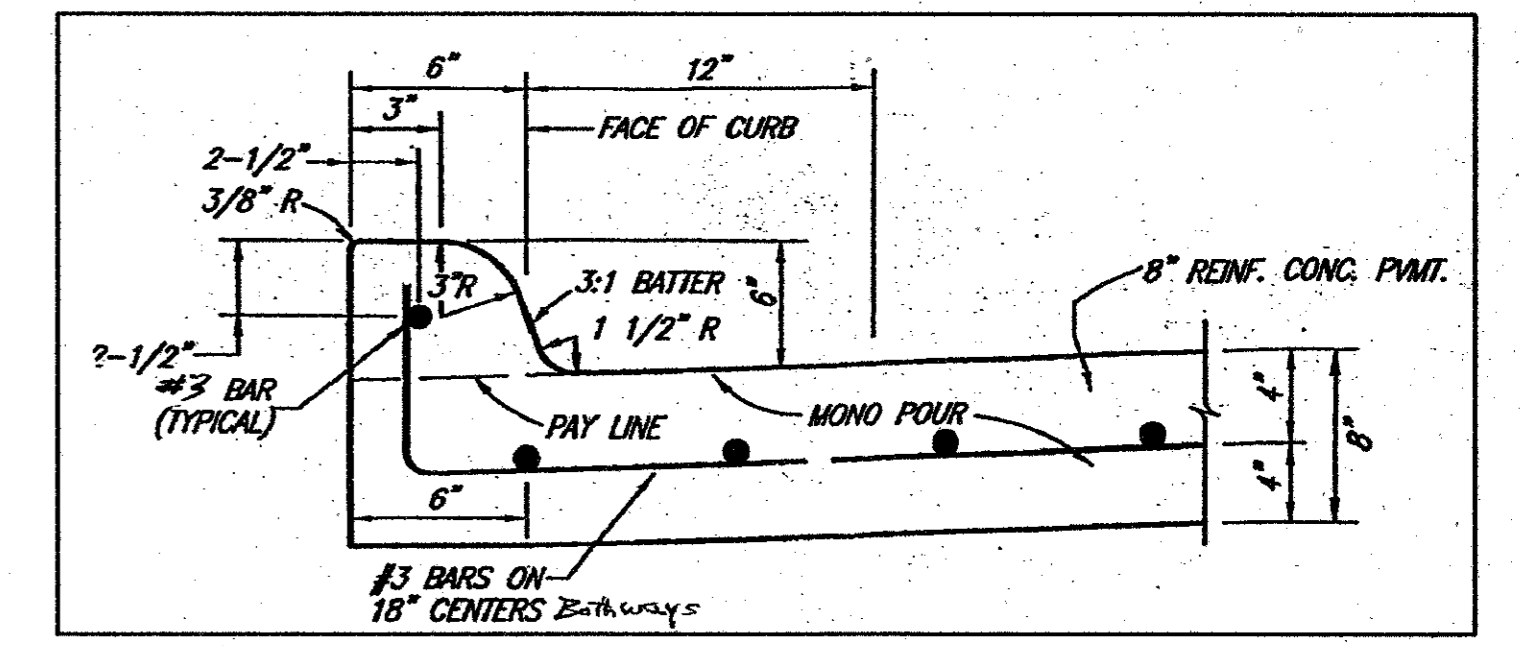


NOTE:  
DOWEL BARS SHALL BE DRILLED INTO PAVEMENT HORIZONTALLY BY USE OF A MECHANICAL RIG. DRILLING BY HANDS IS NOT ACCEPTABLE. PUSHING DOWEL BARS INTO GREEN CONCRETE IS NOT ACCEPTABLE.

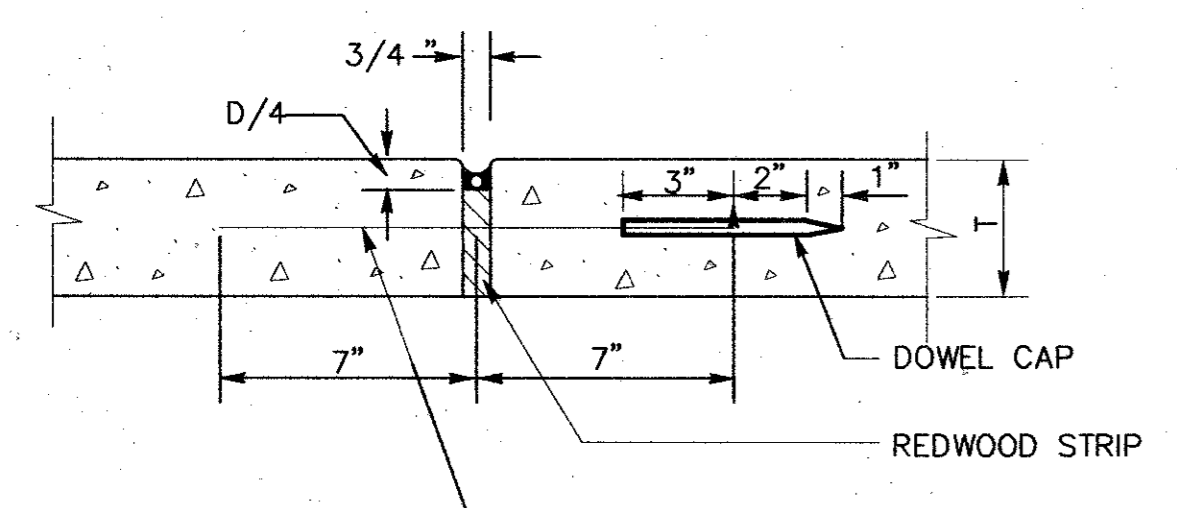
**ANCHOR JOINT DETAIL**  
TO BE USED WHERE PROPOSED CONCRETE PAVEMENT MEETS EXISTING CONCRETE PAVEMENT



**CONCRETE PAVING SECTION**  
N.T.S.

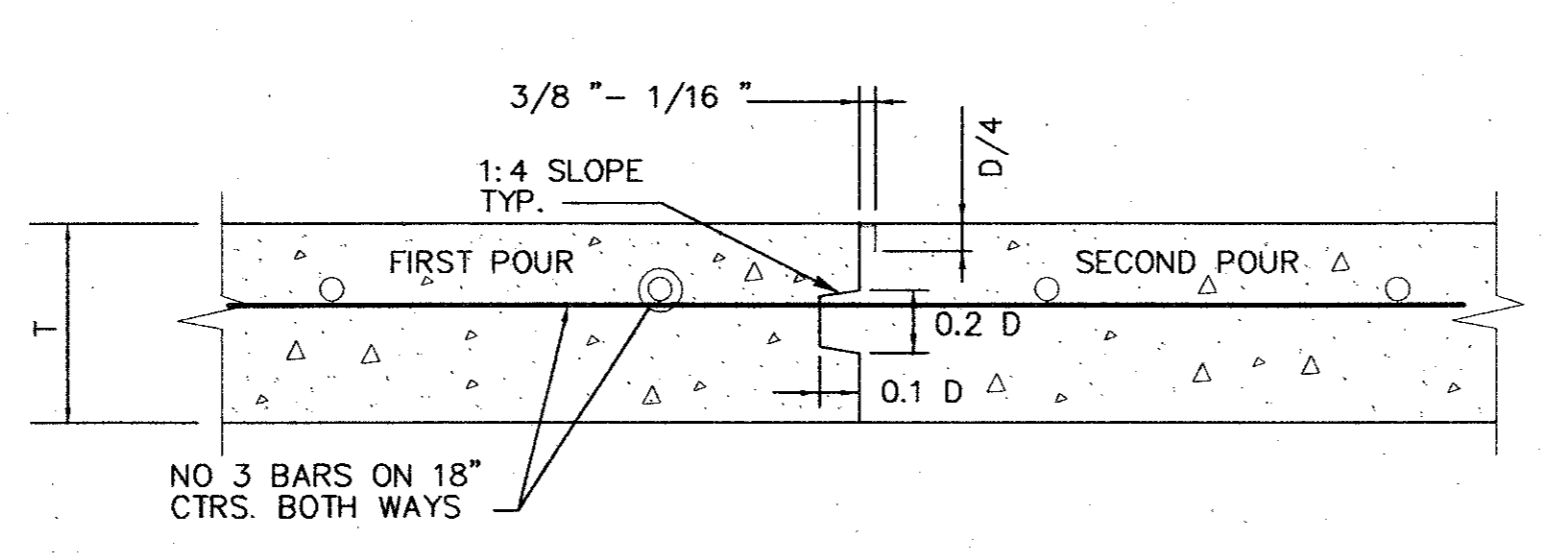


**ATTACHED CURB DETAIL**  
**CURB & GUTTER DETAIL**  
N.T.S.

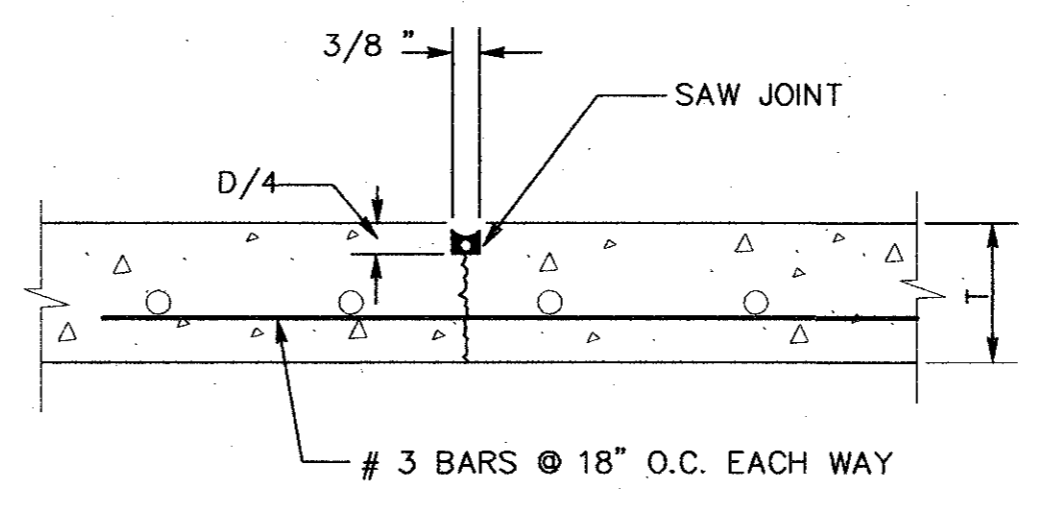


DETAIL NOTES:  
ALL DOWEL CAPS SHALL BE ORIENTED IN THE SAME DIRECTION.

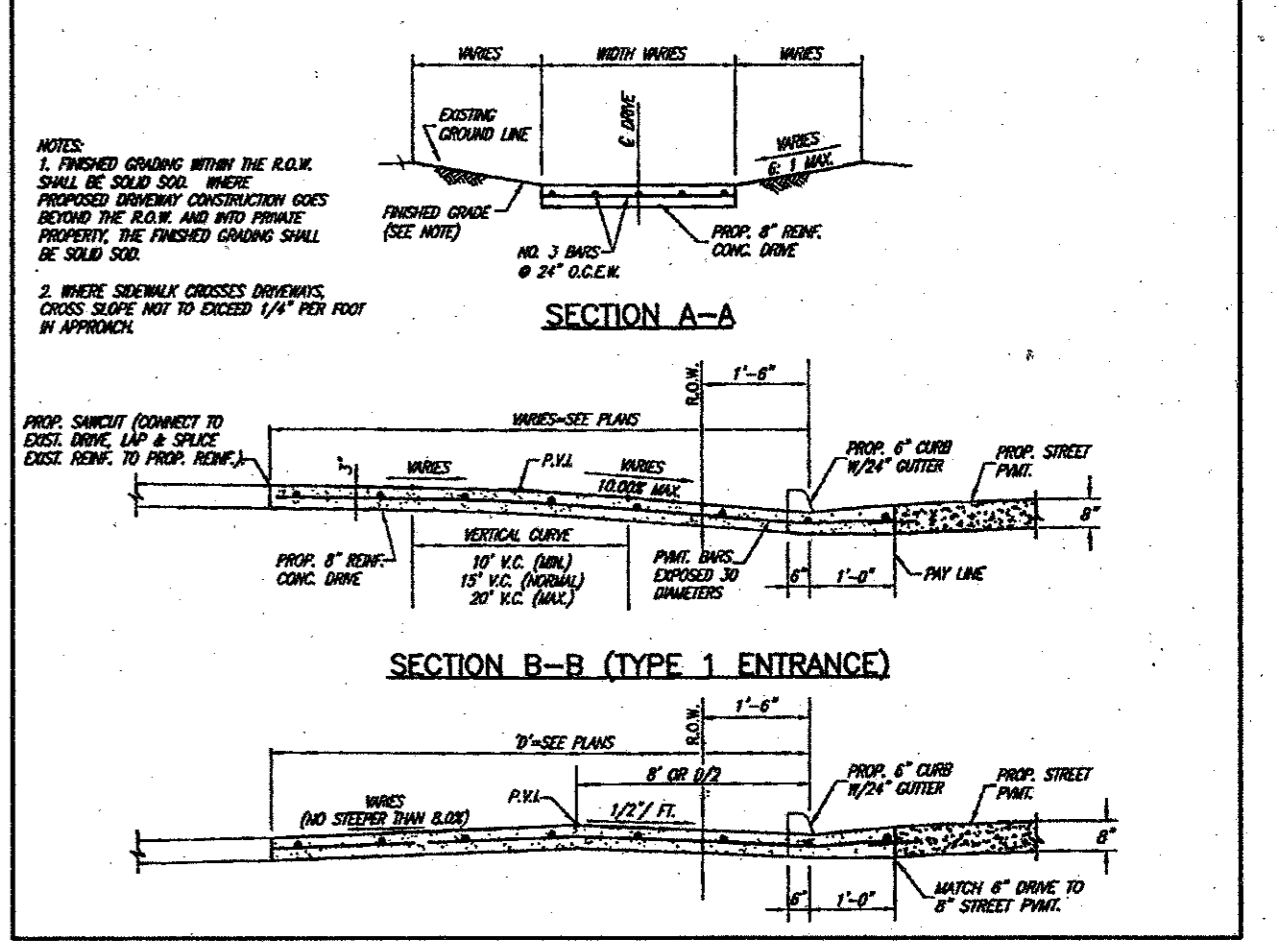
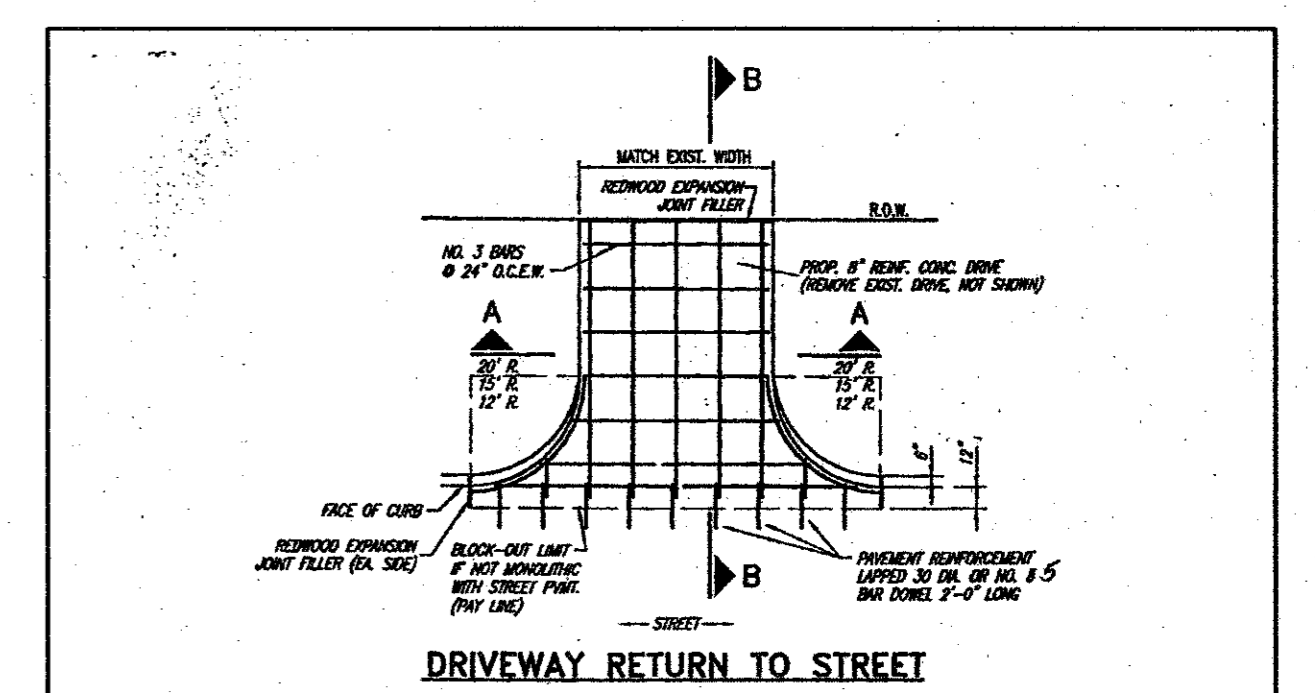
**DOWELED EXPANSION JOINT DETAIL**  
N.T.S.



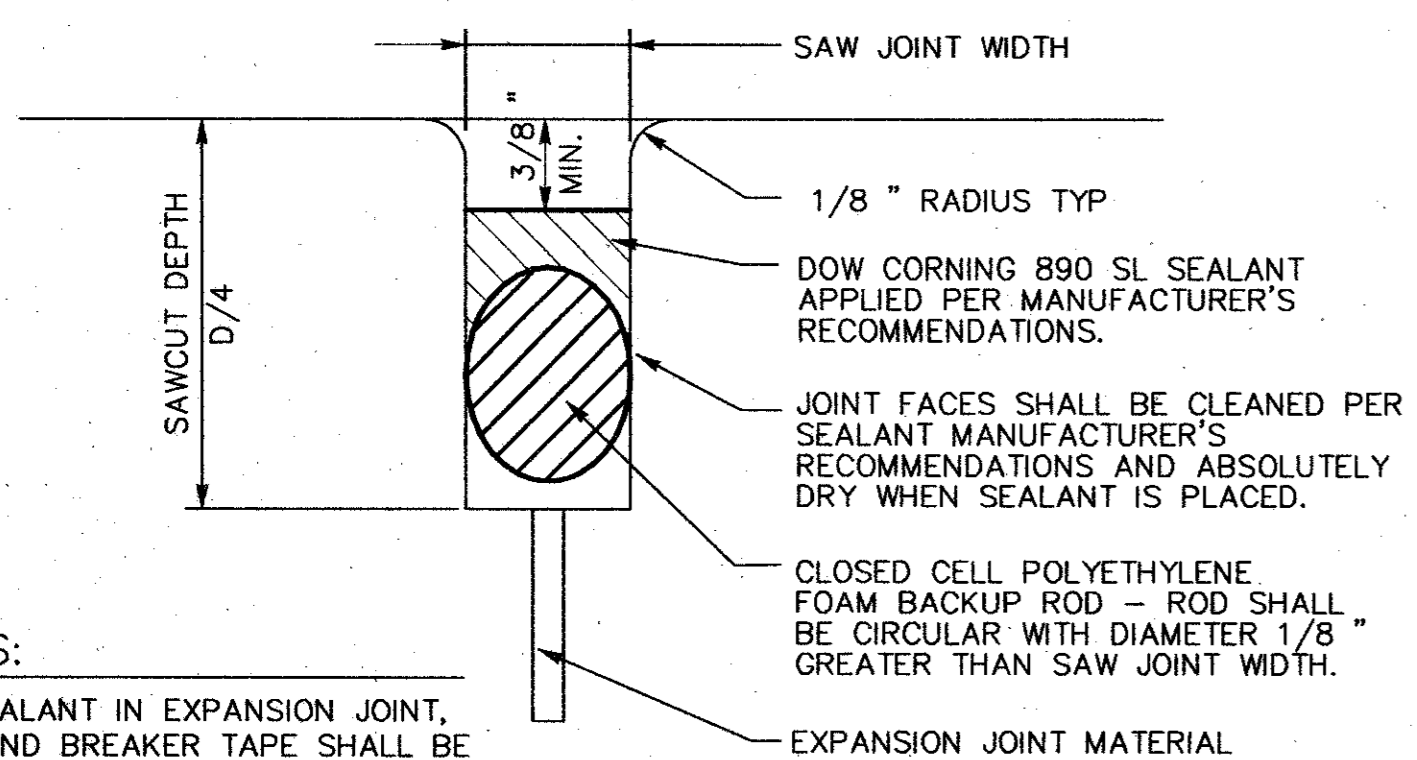
**KEYWAY CONSTRUCTION JOINT**  
N.T.S.



**SAWED DUMMY JOINT DETAIL**  
N.T.S.

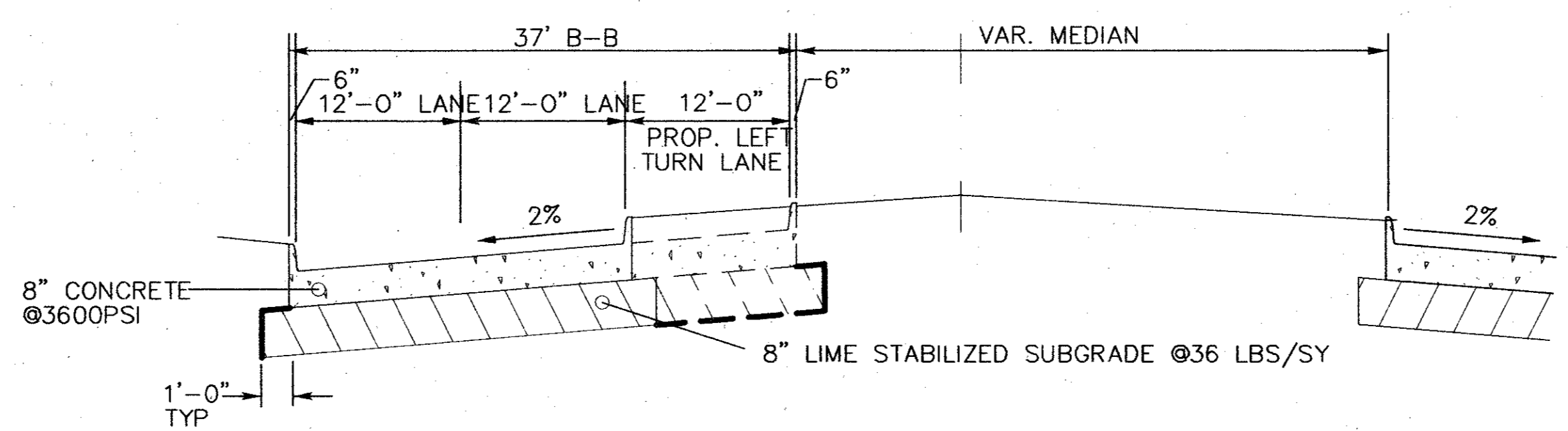


**SECTION A-A**  
**SECTION B-B DRIVEWAY RETURN SECTIONS**  
N.T.S.

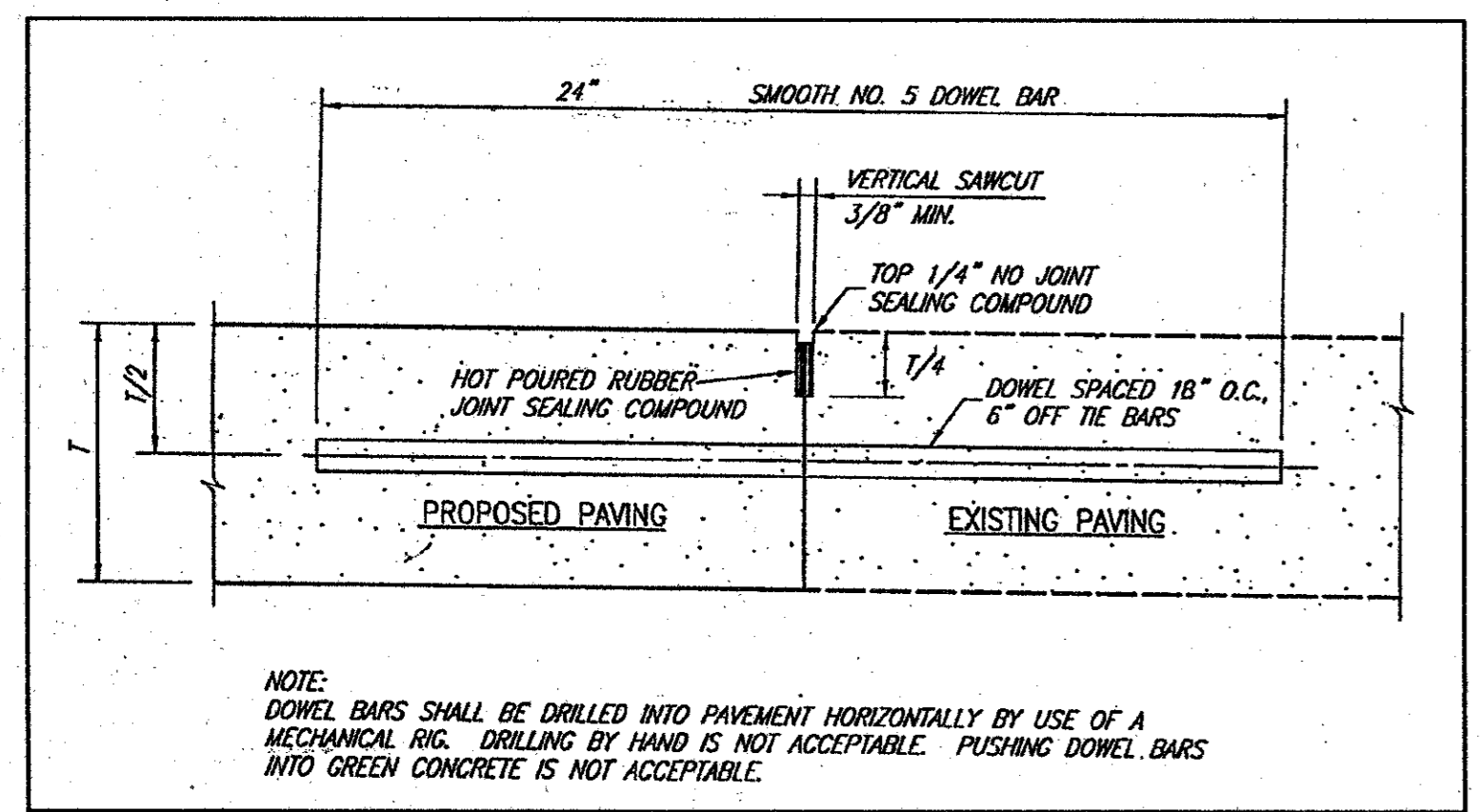


DETAIL NOTES:  
WHEN PLACING SEALANT IN EXPANSION JOINT, POLYETHYLENE BOND BREAKER TAPE SHALL BE ON TOP OF THE PREMOLDED EXPANSION JOINT IN LIEU OF BACKUP ROD.

**JOINT SEALANT DETAIL**  
N.T.S.

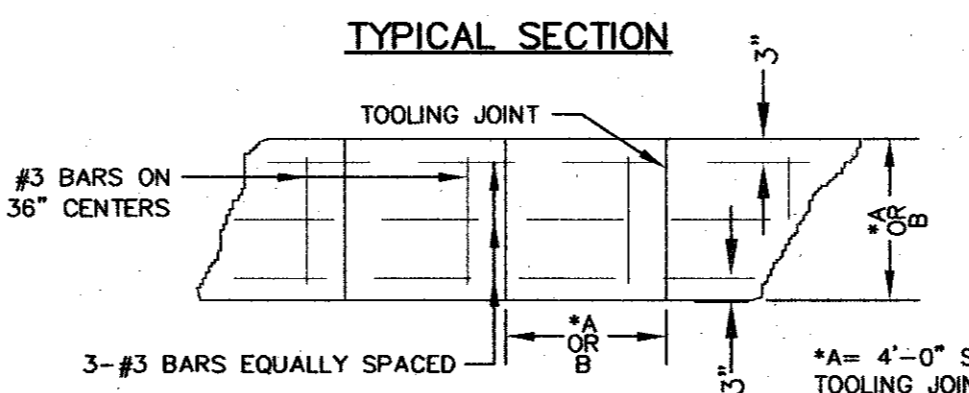
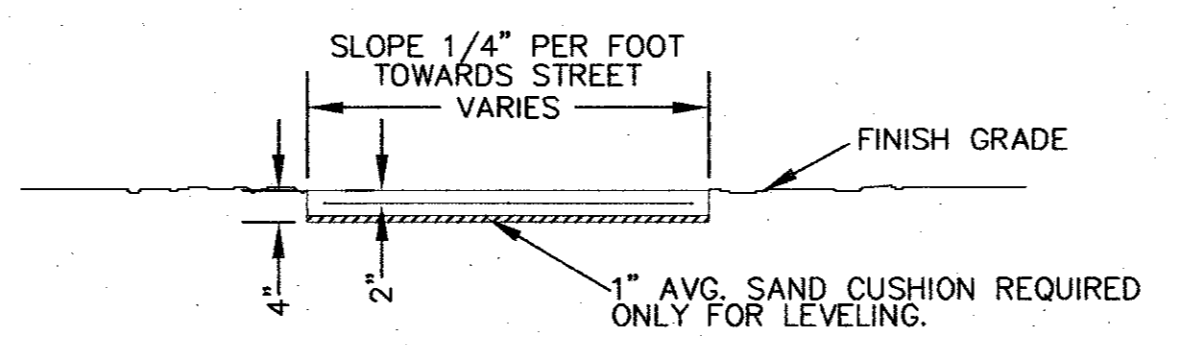


**LEFT TURN LANE PAVING SECTION**  
N.T.S.



NOTE:  
DOWEL BARS SHALL BE DRILLED INTO PAVEMENT HORIZONTALLY BY USE OF A MECHANICAL RIG. DRILLING BY HAND IS NOT ACCEPTABLE. PUSHING DOWEL BARS INTO GREEN CONCRETE IS NOT ACCEPTABLE.

**CONNECTION TO EXISTING PAVEMENT**  
N.T.S.



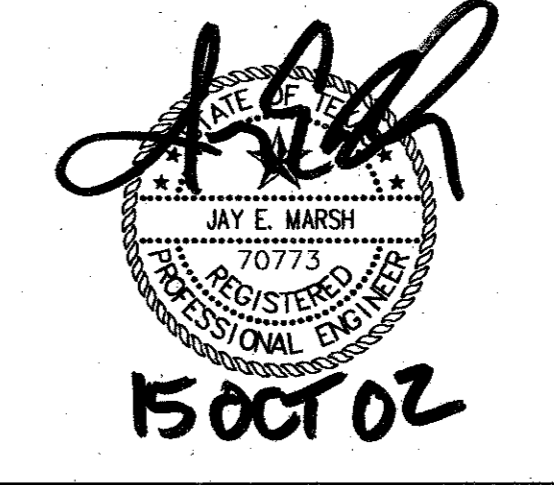
**TYPICAL MARKING SIDEWALK DETAILS**  
N.T.S.

ALL MARKINGS SHALL BE CUT 1" DEEP, FOLLOWED BY GROOVING TOOL. 1/2" PREMOLDED EXPANSION JOINT MATERIAL SHALL BE PLACED WHERE NEW WORK ABUTS OLD OR NEW WORK IS ADJACENT TO OTHER CONCRETE WORK, WALL, FOUNDATIONS, CURBS, ETC... MAXIMUM SPACING OF TOOLING JOINTS SHALL BE 40'-0".

- GENERAL NOTES:
1. CONCRETE STRENGTH SHALL BE A MINIMUM OF 3000 P.S.I. AT 28 DAYS.
  2. EXPANSION JOINTS SHALL BE 1/2" THICK REDWOOD FOR FULL DEPTH OF SIDEWALK AND SHALL INCLUDE GREASED 24" SMOOTH 1/2" DIA. DOWEL STEEL BARS WITH CAPS.

NO.	BY	DATE	REVISION
1	EAE	10/11/02	RECORD DRAWING

RECORD DRAWING  
THIS DRAWING REFLECTS FIELD REVISIONS AS PROVIDED BY THE CONTRACTOR.



**PATE ENGINEERS**  
8150 BROOKRIVER DRIVE  
SUITE 5-700  
DALLAS, TEXAS, 75247  
TEL (214) 357-2981  
FAX (214) 357-2985  
JOB NO. 083100900

MISCELLANEOUS PAVING DETAILS						
SPRINGHILL SUITES						
TOWN OF ADDISON, TEXAS						
DRAWN	DESIGN	DATE	NOTES	SCALE	FILE	NUMBER
JPS	JEM	05/03/01	AS	N.T.S.	MARADDT2	D2