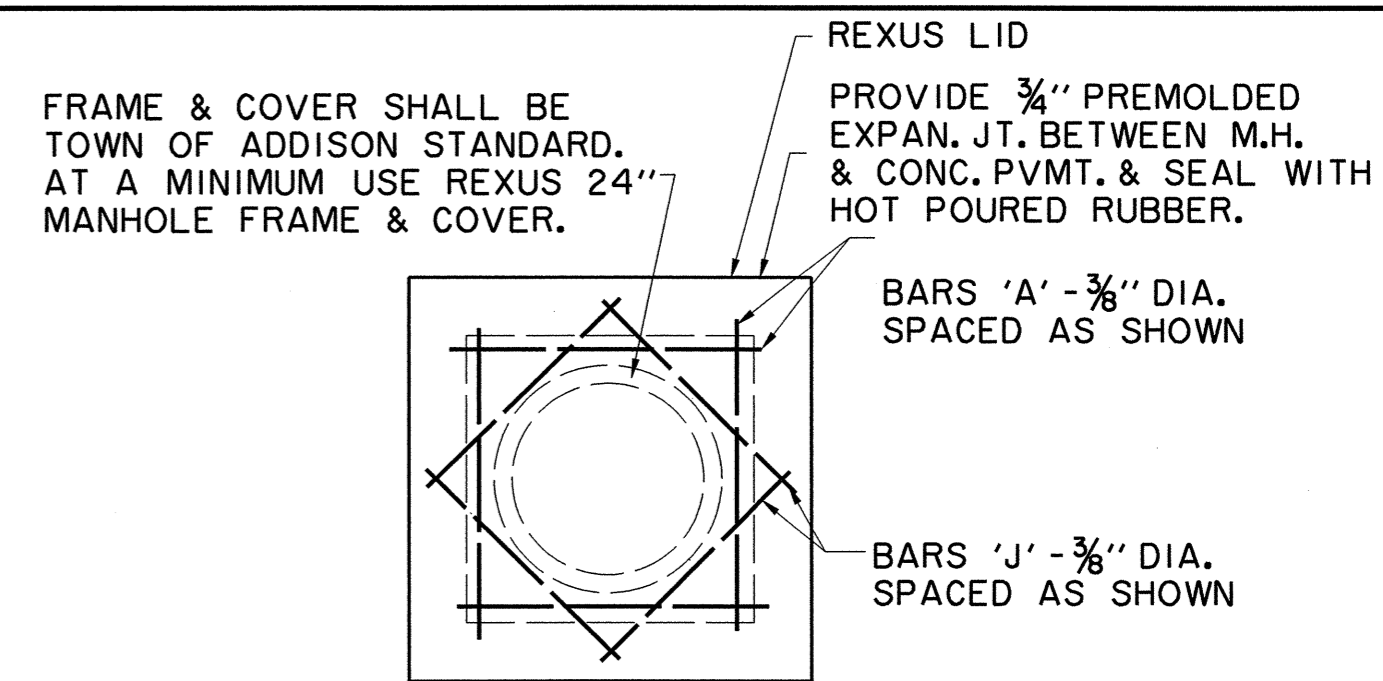
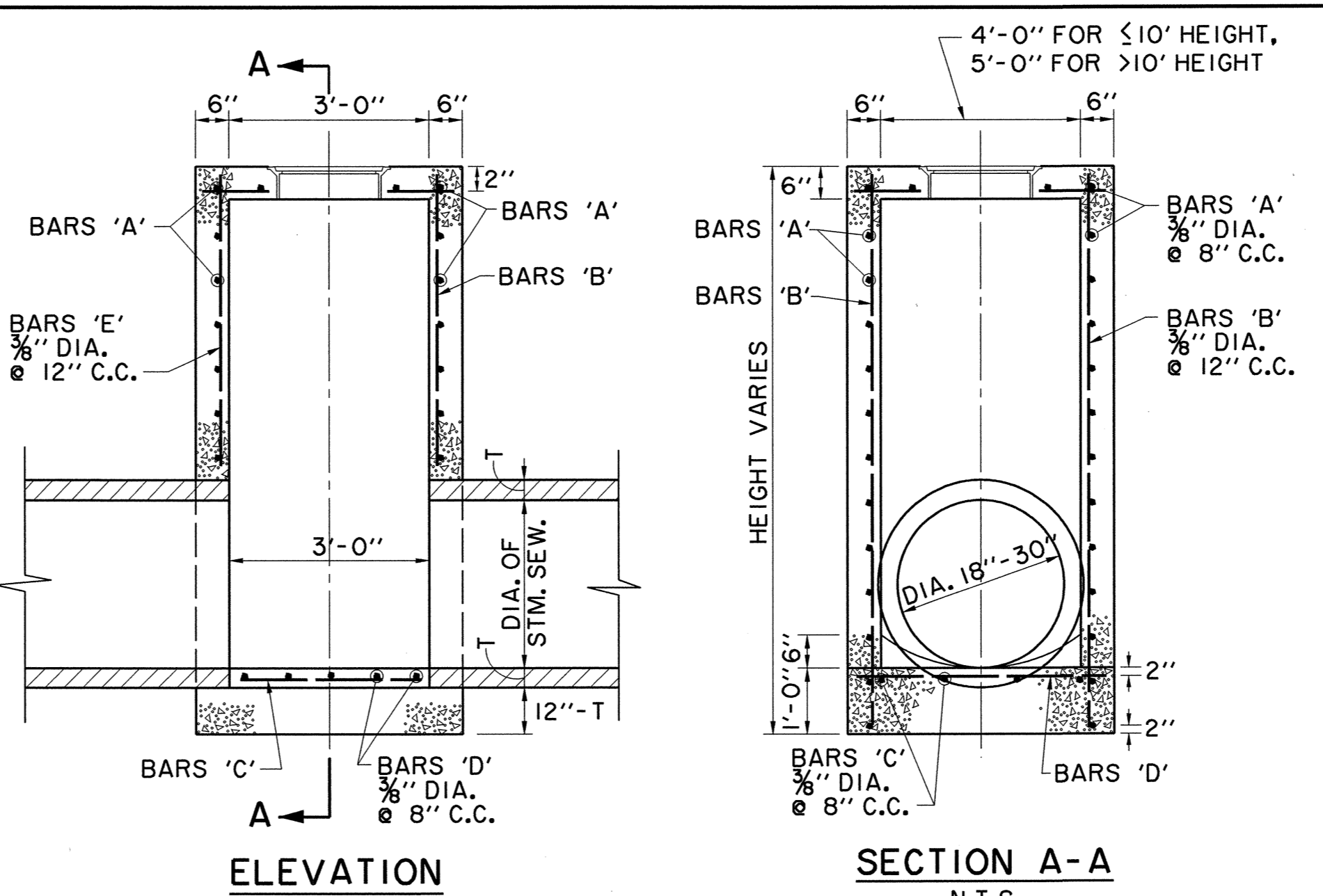
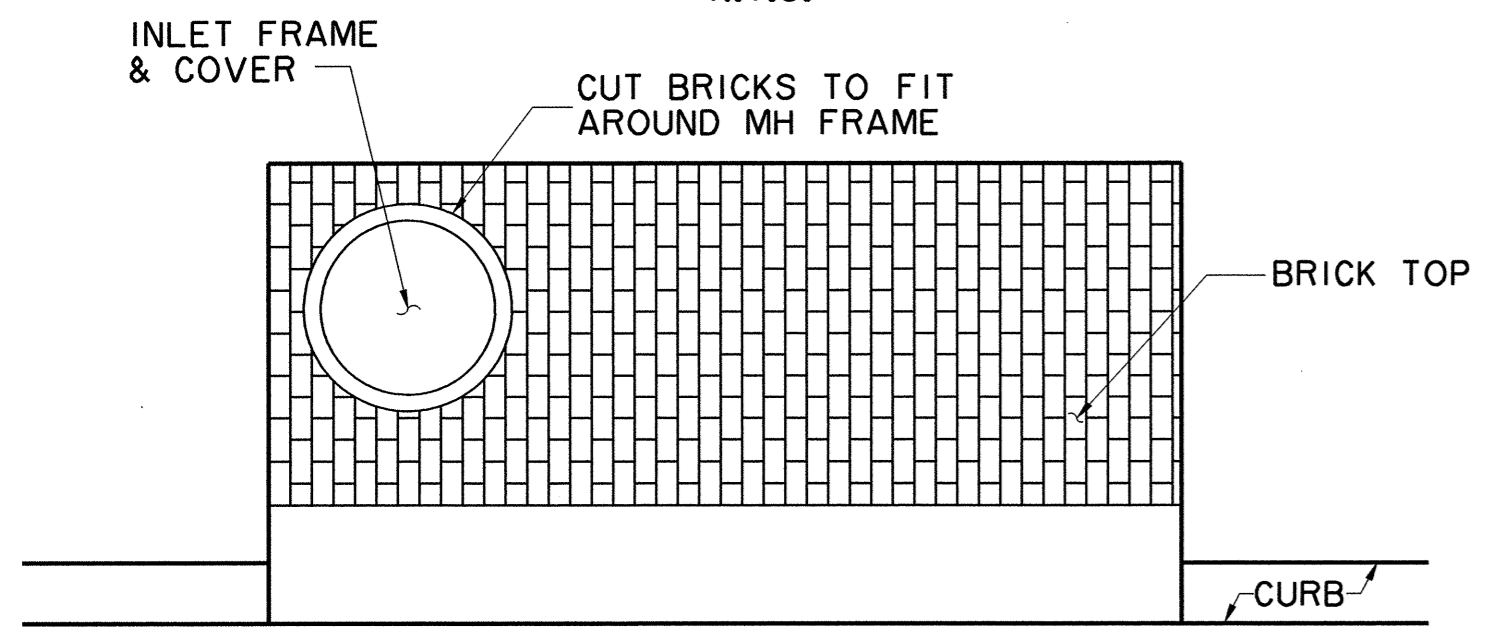


BAR DIAGRAMS (BRICK ON INLET)
N.T.S.

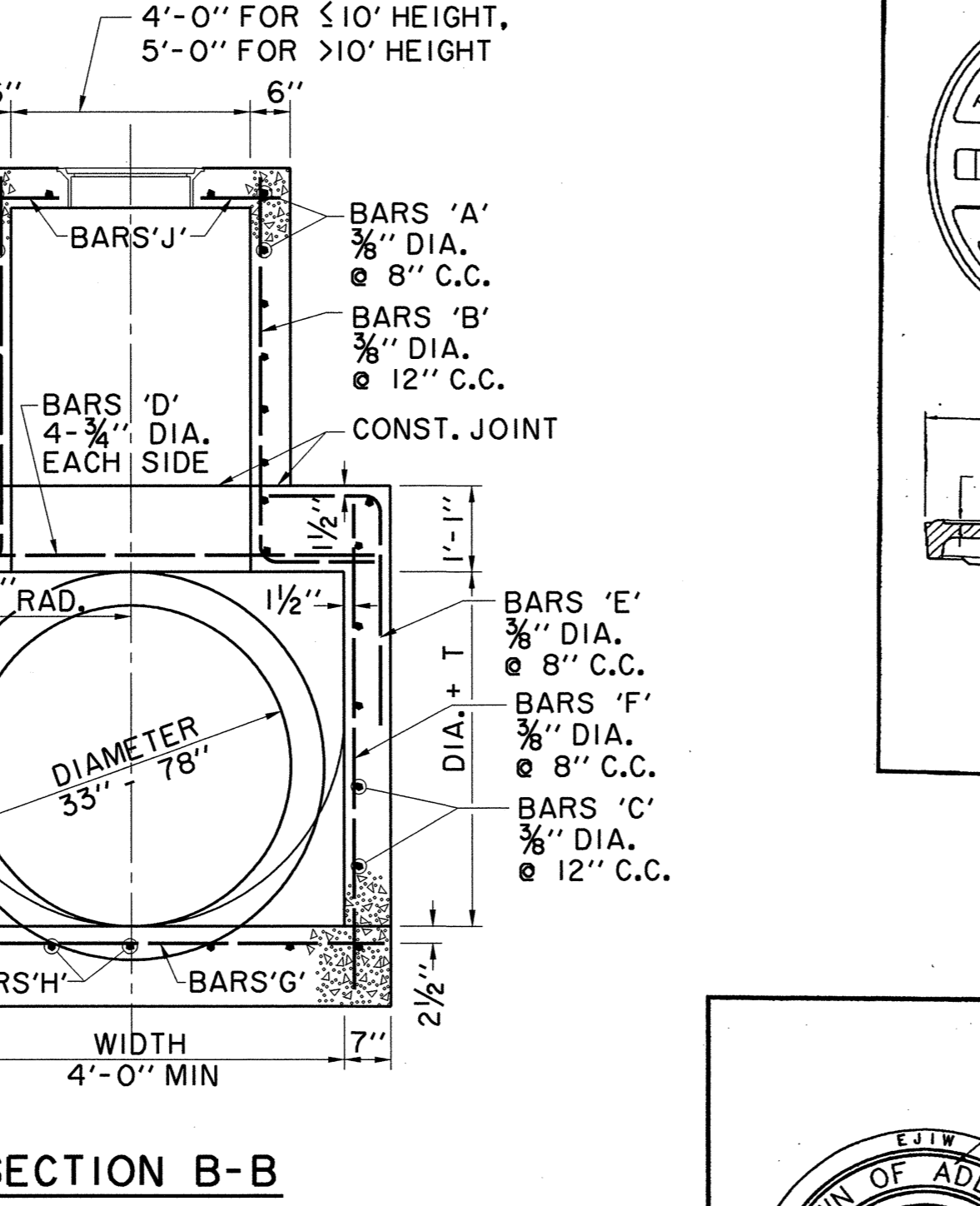
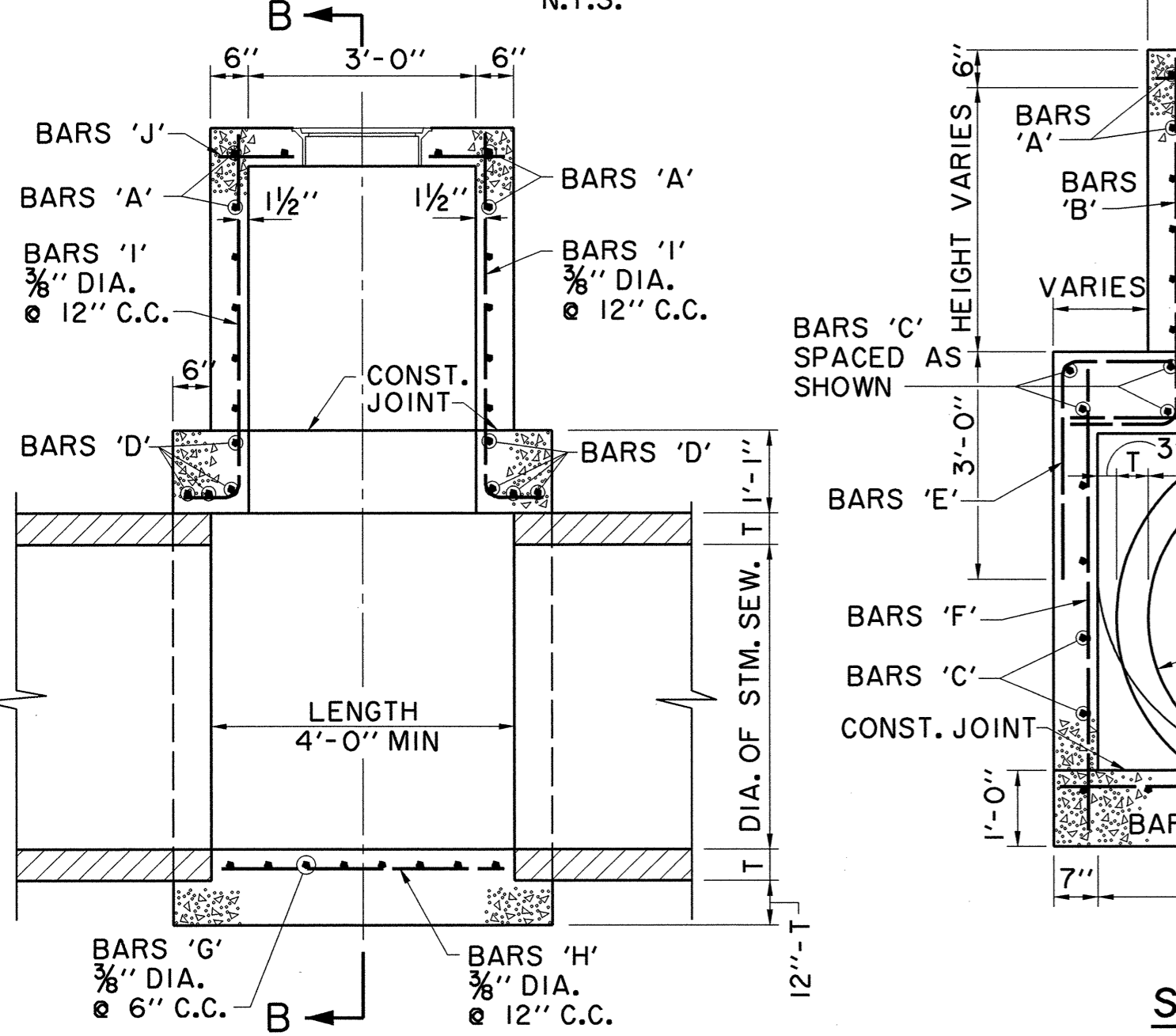
NOTE: BAR DESIGNATIONS AND DIMENSIONS ARE DIFFERENT FROM STEEL SCHEDULE FOR REGULAR INLETS.



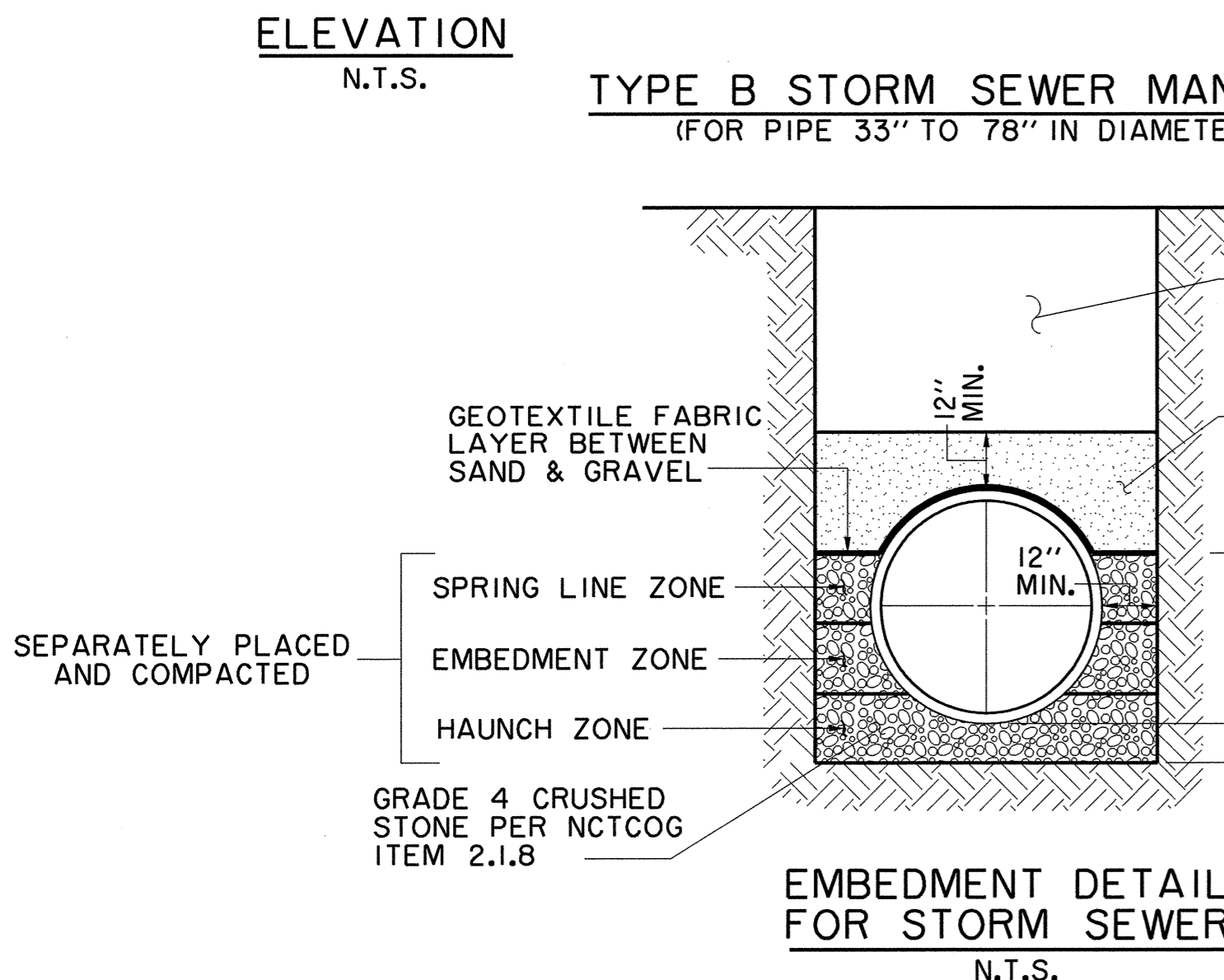
NOTE: MANHOLES & INLETS GREATER THAN 4' IN DEPTH SHALL HAVE BASS & HAYES MODEL MA STEPS OR APPROVED EQUAL



INLET PLAN BRICK ON INLET
N.T.S.

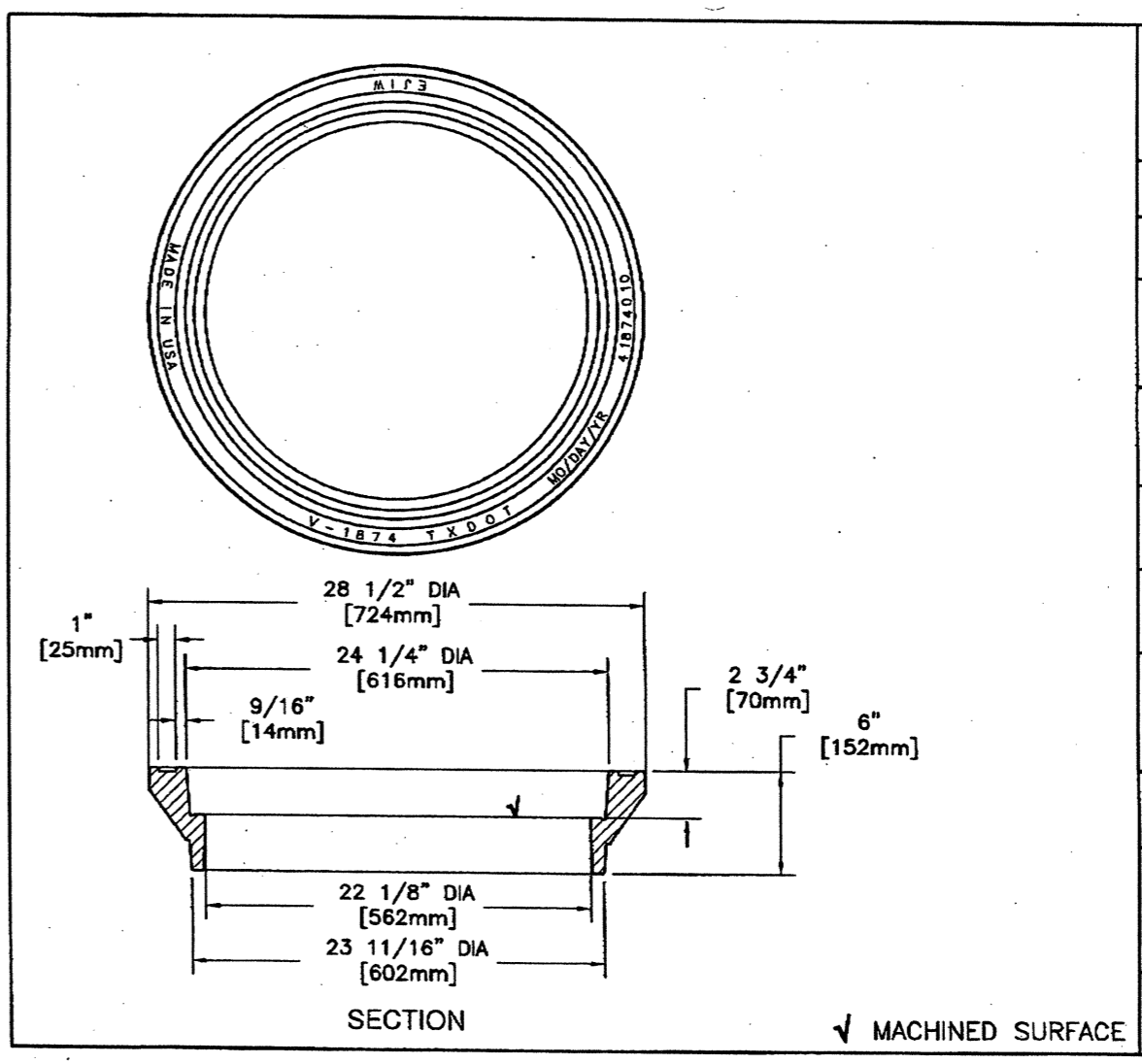
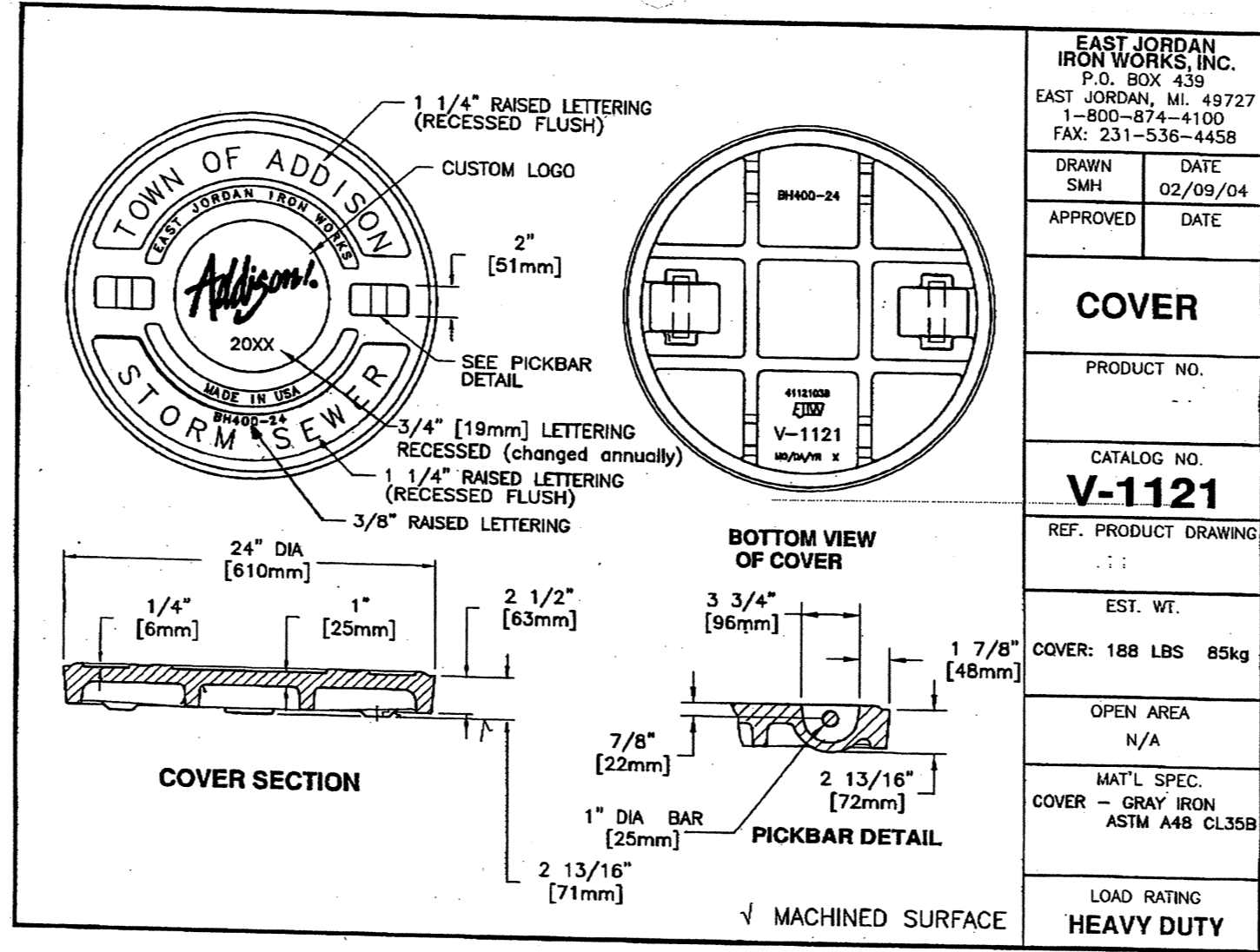


TYPE B STORM SEWER MANHOLE
(FOR PIPE 33" TO 78" IN DIAMETER)

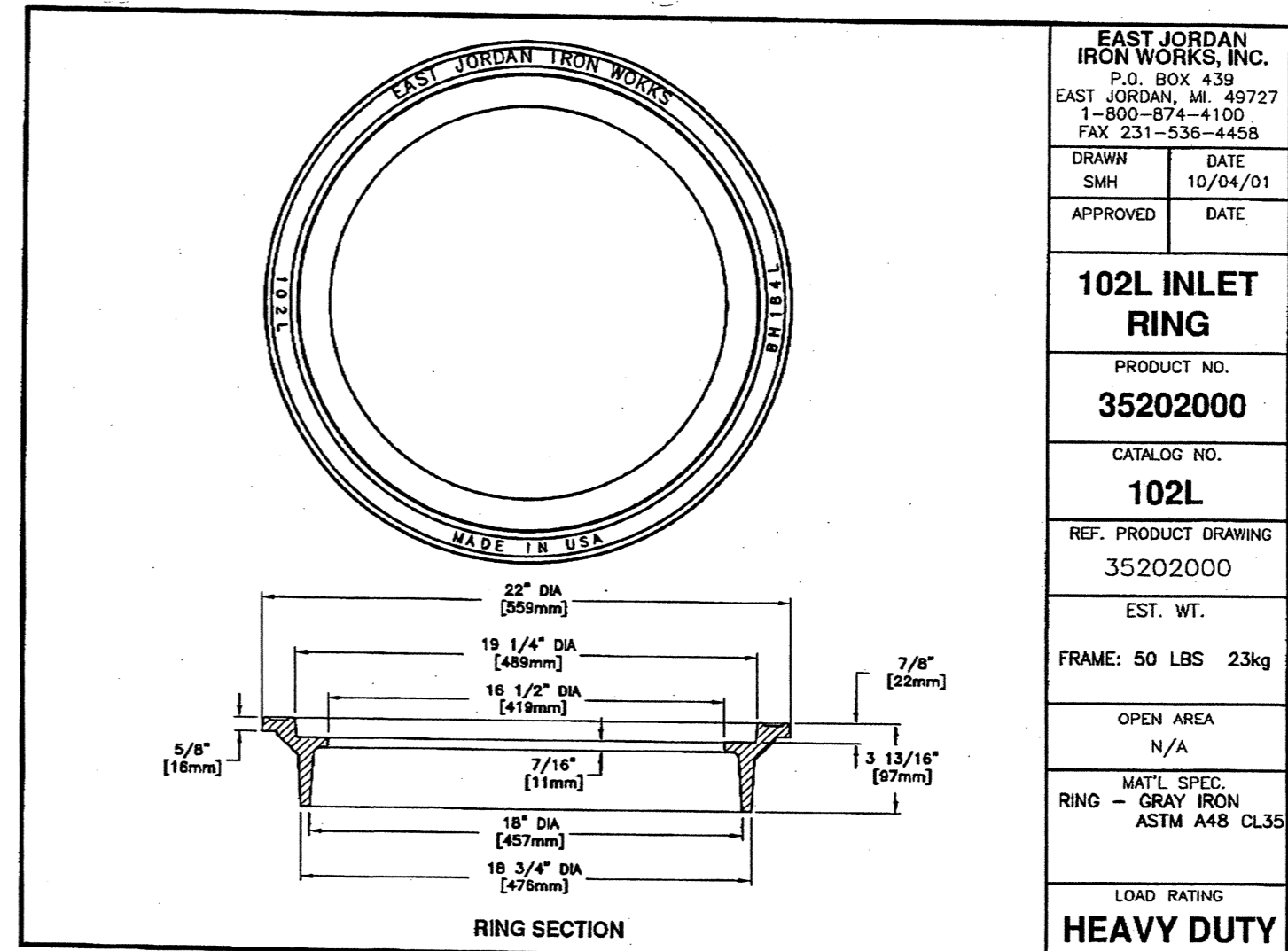
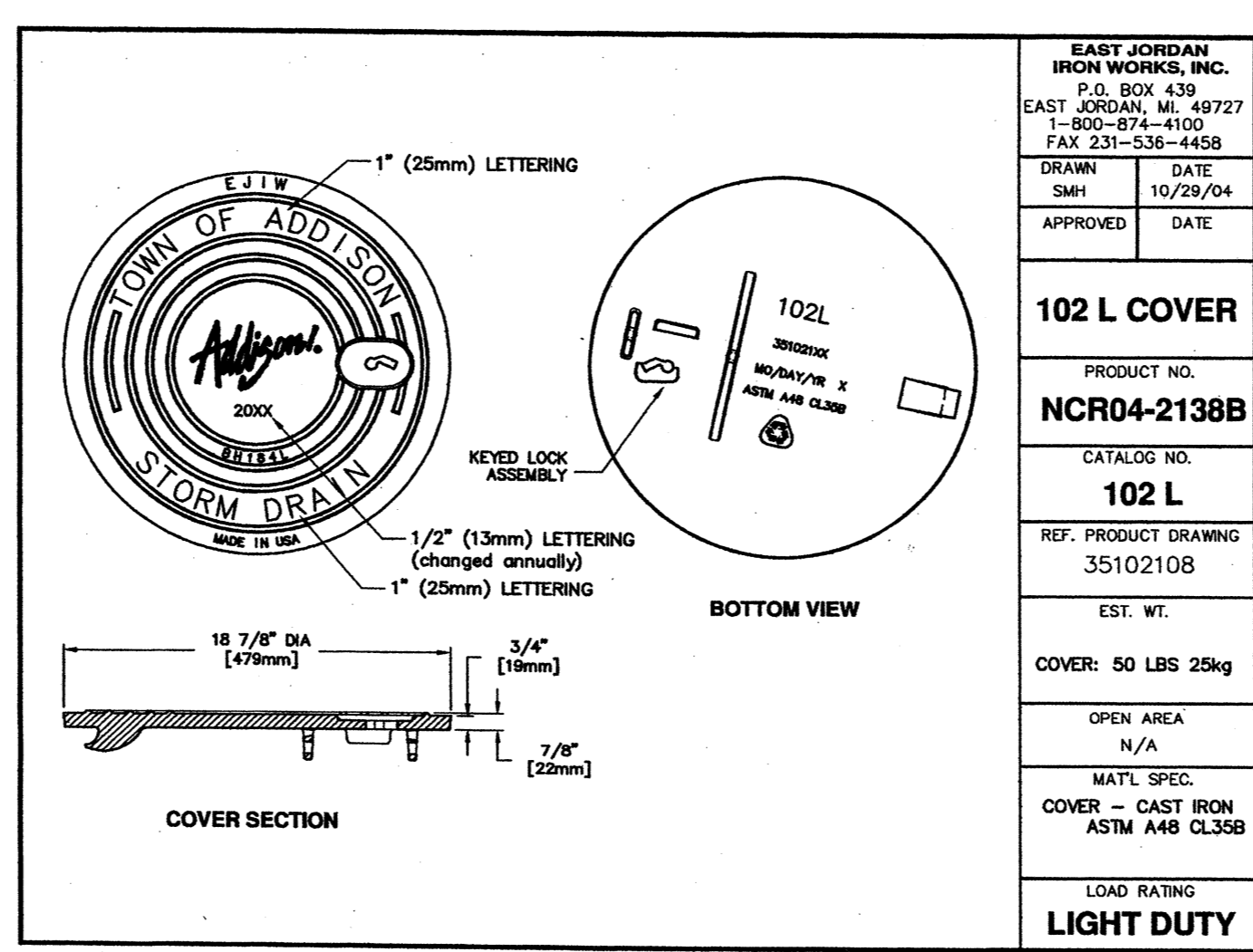


DEPTH OF BEDDING MATERIAL BELOW PIPE

D (INSIDE DIAMETER)	d (MIN.)
27"	3"
30" TO 60"	4"
66"	6"



EAST JORDAN IRON WORKS, INC.	
P.O. BOX 439 EAST JORDAN, MI. 49727 1-800-874-4100 FAX 231-536-4458	
DRAWN	DATE
SMB	08/21/01
APPROVED	DATE
MANHOLE FRAME	
PRODUCT NO.	41874010
CATALOG NO.	V-1874
REF. PRODUCT DRAWING	41874010
EST. WT.	RING: 185 LBS 84kg
OPEN AREA	N/A
MAT'L SPEC.	RING - GRAY IRON ASTM A48 CL35
LOAD RATING	HEAVY DUTY



EAST JORDAN IRON WORKS, INC.	
P.O. BOX 439 EAST JORDAN, MI. 49727 1-800-874-4100 FAX 231-536-4458	
DRAWN	DATE
SMH	10/29/04
APPROVED	DATE
102L INLET RING	
PRODUCT NO.	35202000
CATALOG NO.	102L
REF. PRODUCT DRAWING	35202000
EST. WT.	FRAME: 50 LBS 23kg
OPEN AREA	N/A
MAT'L SPEC.	RING - GRAY IRON ASTM A48 CL35
LOAD RATING	HEAVY DUTY

RECORD DRAWING
THIS DRAWING HAS BEEN MODIFIED FROM THE ORIGINAL TO SHOW ONLY THE FIELD CHANGES AND ADJUSTMENTS MADE DURING CONSTRUCTION BY THE CONTRACTOR WHICH WERE DOCUMENTED AND FURNISHED TO THE ENGINEER FOR THE PURPOSE OF PREPARING THESE RECORD DRAWINGS. FIELD INSPECTION OF CONSTRUCTION WAS PERFORMED BY OTHERS. TO THE BEST OF OUR KNOWLEDGE AND UNDERSTANDING THESE RECORD DRAWINGS REPRESENT THE "AS-BUILT" CONDITIONS.



STORM WATER DETAILS						
ADDISON RESIDENTIAL						
TOWN OF ADDISON, TEXAS						
3131 McKinney Ave., Suite 600, Dallas, TX 75204 Phone (214) 871-3311 / Fax (214) 871-0757						
DESIGN	CHECKED	APPR.	SCALE	DATE	PROJECT NO.	NO.
HZI	HZI		N.T.S.	11/20/08		C29

NOTE:
ALL INLET & MANHOLE WALLS SHALL BE FORMED, POURING AGAINST EXPOSED EARTH WILL NOT BE PERMITTED.

NO REFERENCE TO THIS DRAWING SHOULD BE MADE WITHOUT THE WRITTEN PERMISSION OF THE ENGINEER. THE ENGINEER'S LIABILITY IS LIMITED TO THE PROFESSIONAL ENGINEERING SERVICE PROVIDED. THE USER OF THIS DRAWING ASSUMES ALL OTHER RISKS AND LIABILITIES. THIS DRAWING IS THE PROPERTY OF THE ENGINEER AND IS NOT TO BE REPRODUCED OR TRANSMITTED IN ANY FORM OR BY ANY MEANS, ELECTRONIC OR MECHANICAL, INCLUDING PHOTOCOPYING, RECORDING, OR BY ANY INFORMATION STORAGE AND RETRIEVAL SYSTEM, WITHOUT THE WRITTEN PERMISSION OF THE ENGINEER.