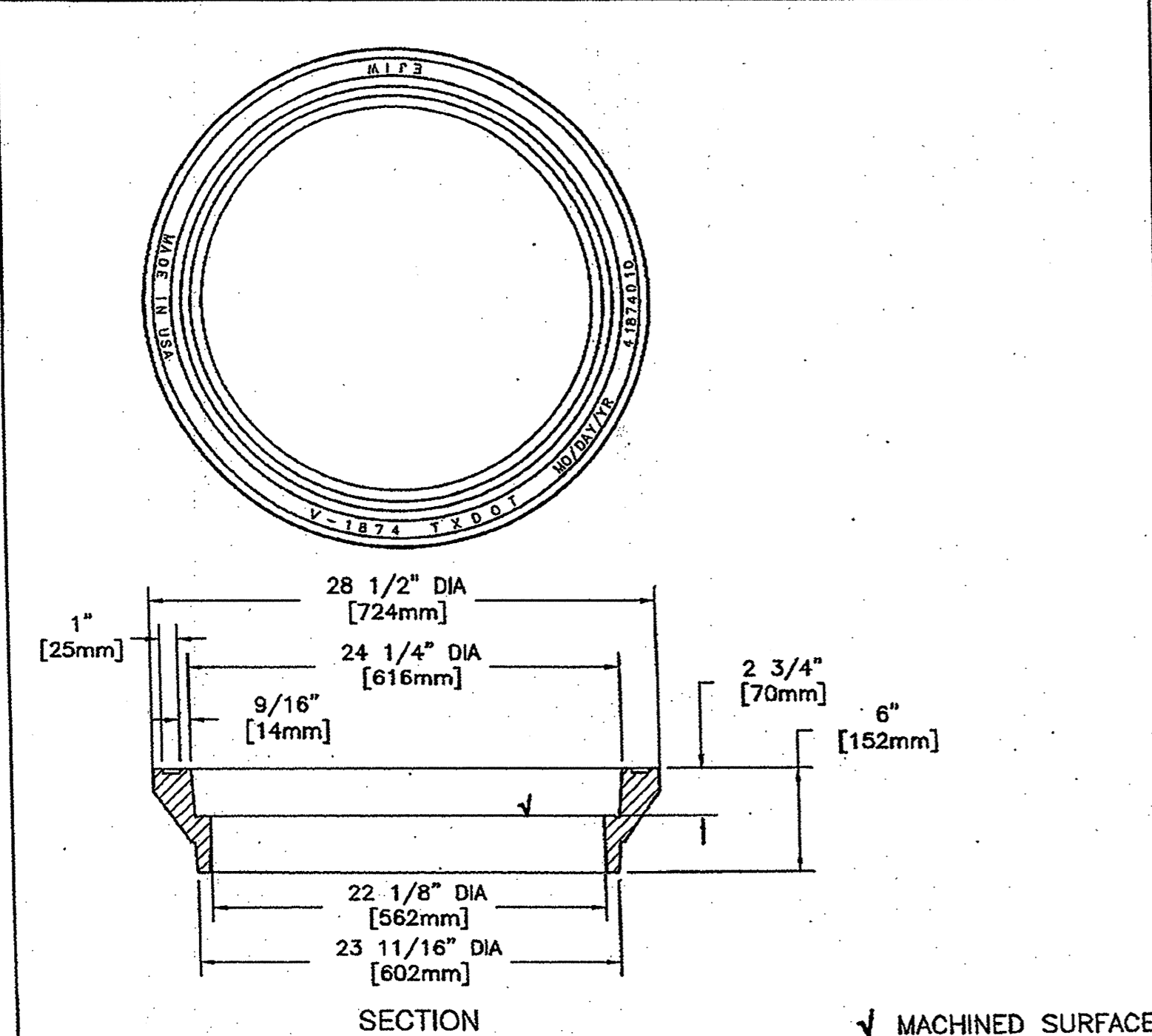
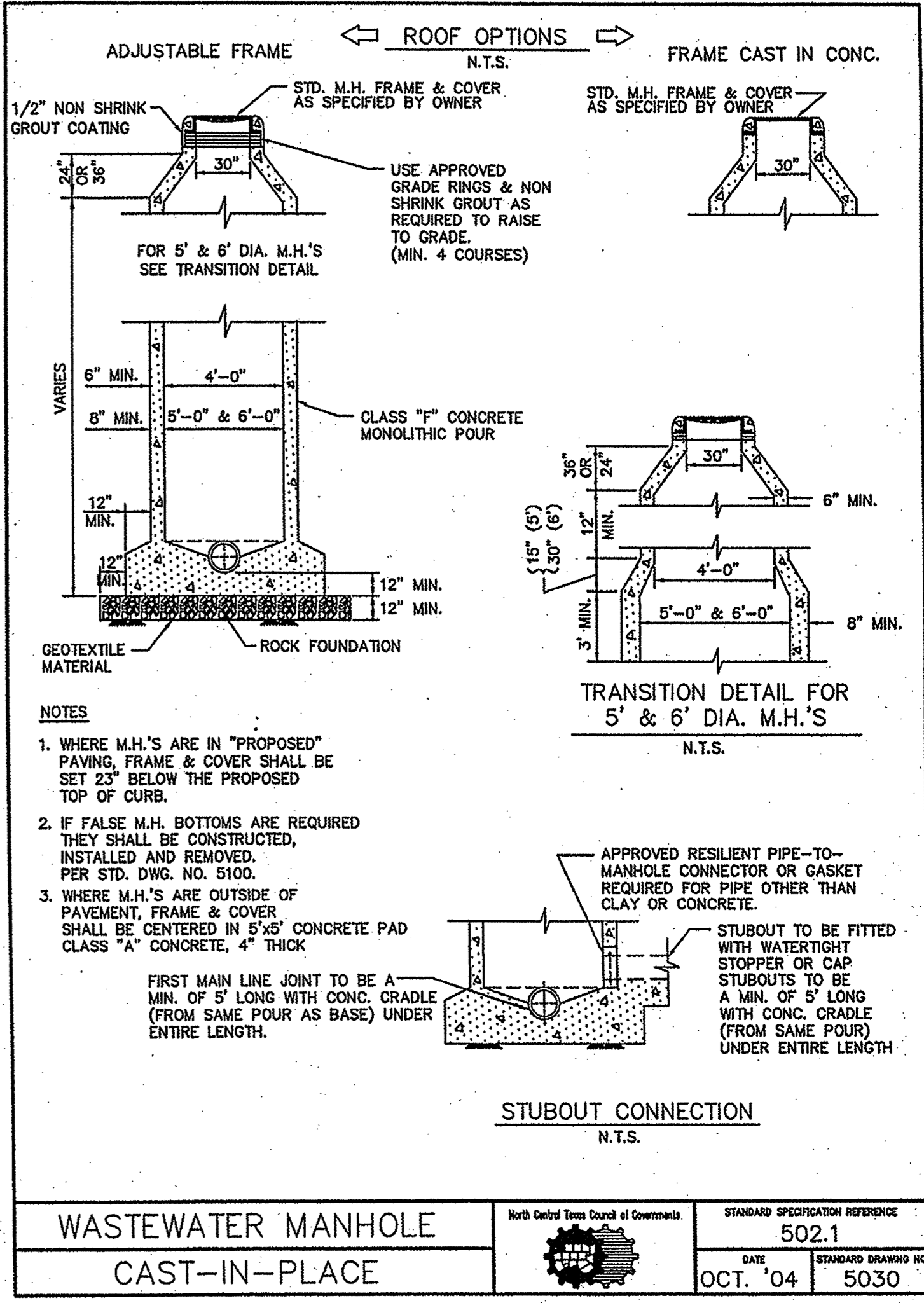
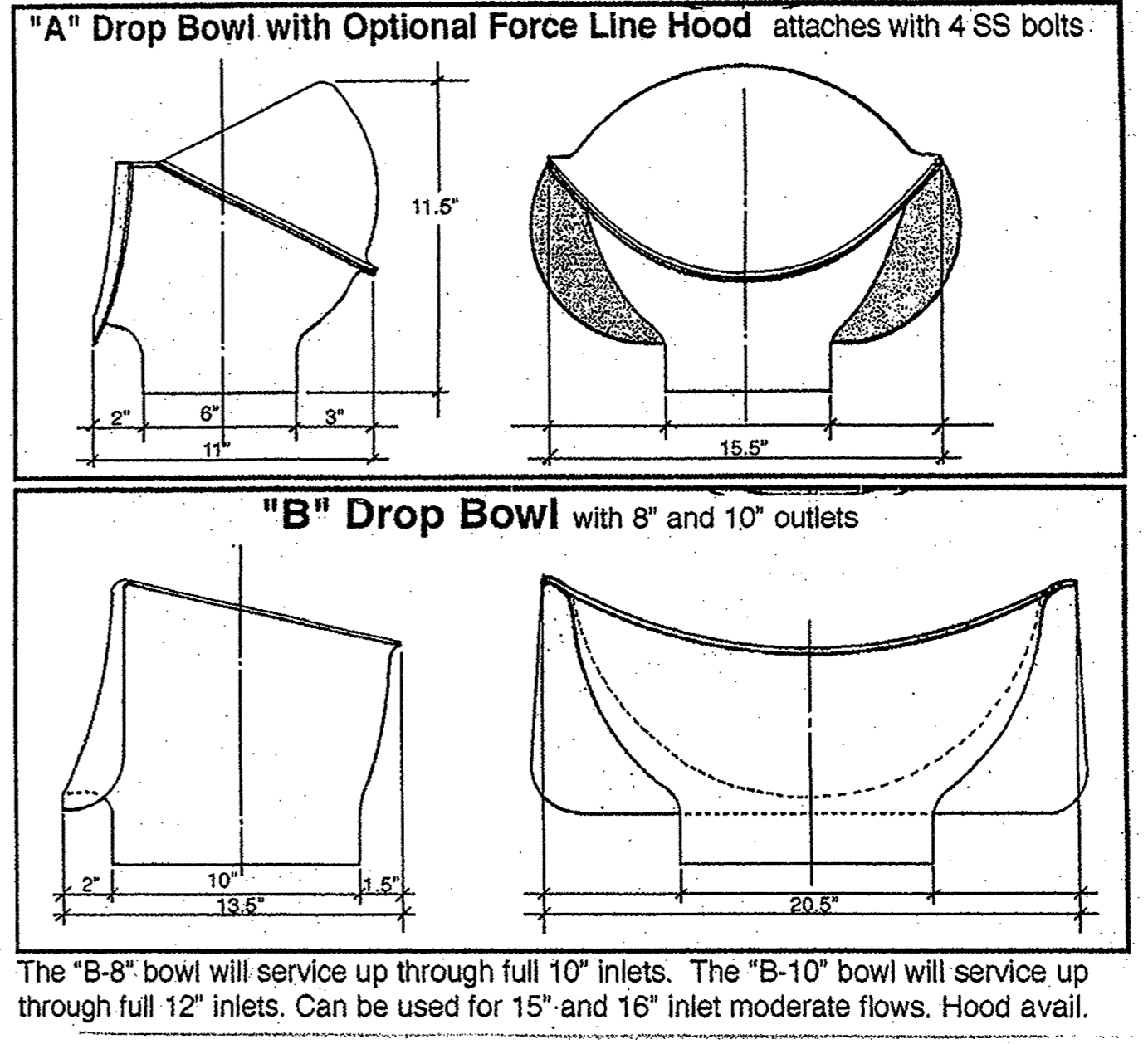
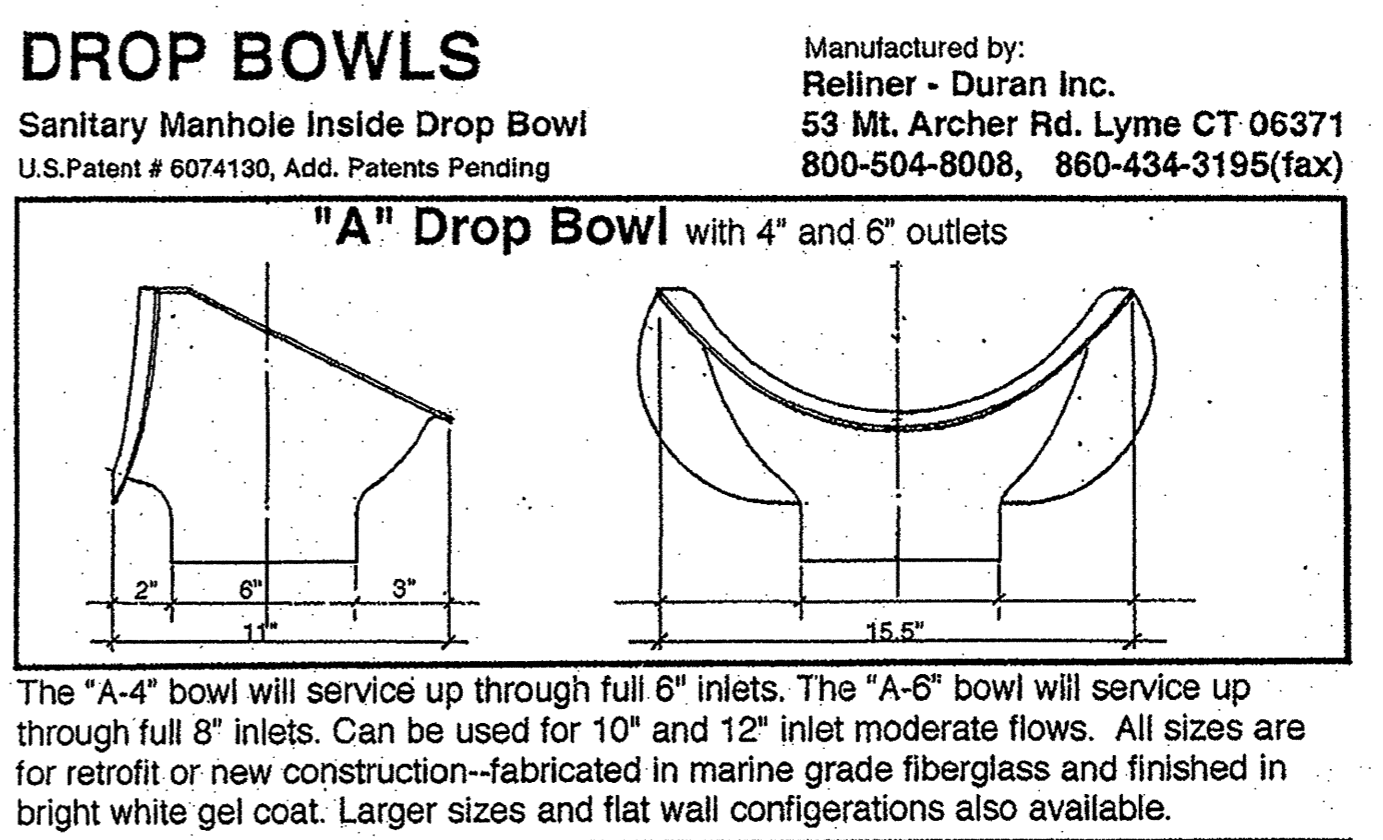
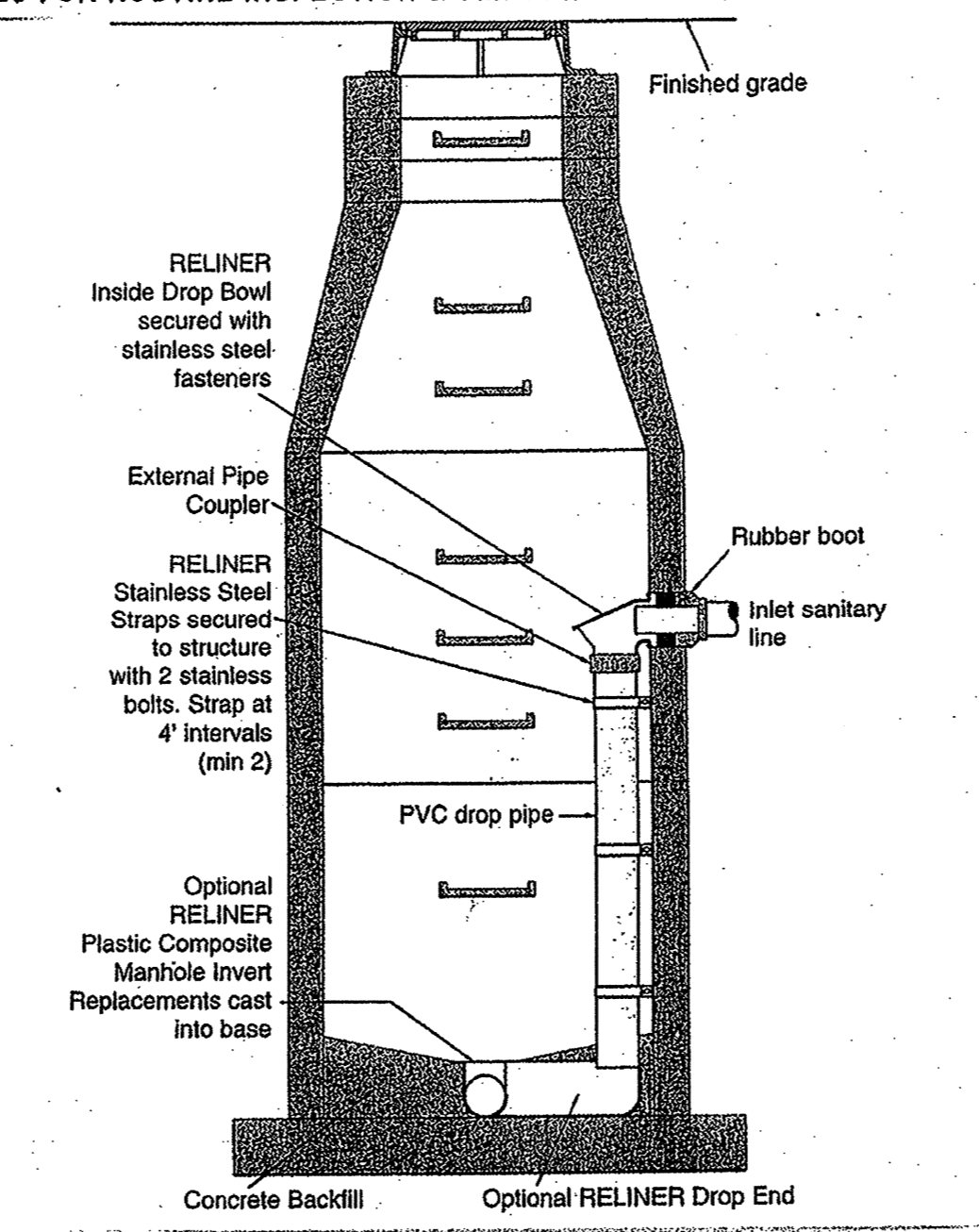


SANITARY SEWER SERVICE CONNECTION
 N.T.S.



INSIDE DROP SYSTEM by RELINER® / Duran Inc.
 U.S. Patents # 6074130 and 5553973. Add. Patents Pending.
 STOP ENTERING YOUR MANHOLES FOR ROUTINE INSPECTION & CLEANING OF INSIDE DROPS



RECORD DRAWING

THIS DRAWING HAS BEEN MODIFIED FROM THE ORIGINAL TO SHOW ONLY THE FIELD CHANGES AND ADJUSTMENTS MADE DURING CONSTRUCTION BY THE CONTRACTOR WHICH WERE DOCUMENTED AND FURNISHED TO THE ENGINEER FOR THE PURPOSE OF PREPARING THESE RECORD DRAWINGS. FIELD INSPECTION OF CONSTRUCTION WAS PERFORMED BY OTHERS. TO THE BEST OF OUR KNOWLEDGE AND UNDERSTANDING THESE RECORD DRAWINGS REPRESENT THE "AS-BUILT" CONDITIONS.

1-9-09

WASTEWATER DETAILS							
ADDISON RESIDENTIAL							
TOWN OF ADDISON, TEXAS							
3131 McKinney Ave., Suite 600, Dallas, TX 75204 Phone (214) 871-3311/Fax (214) 871-0757							
DESIGN	CHECKED	APPR.	SCALE	DATE	PROJECT NO.	NO.	
HZI	HZI		N.T.S.	11/20/08		C35	

REF. N. W. JOHNSON & ASSOCIATES, INC. 1-81

REF. M. J. HARRIS & ASSOCIATES, INC. 1-83

REF. J. R. WATKINS & ASSOCIATES, INC. 1-85

REF. J. R. WATKINS & ASSOCIATES, INC. 1-87

REF. J. R. WATKINS & ASSOCIATES, INC. 1-89

REF. J. R. WATKINS & ASSOCIATES, INC. 1-91

REF. J. R. WATKINS & ASSOCIATES, INC. 1-93

REF. J. R. WATKINS & ASSOCIATES, INC. 1-95

REF. J. R. WATKINS & ASSOCIATES, INC. 1-97

REF. J. R. WATKINS & ASSOCIATES, INC. 1-99

REF. J. R. WATKINS & ASSOCIATES, INC. 2001

REF. J. R. WATKINS & ASSOCIATES, INC. 2003

REF. J. R. WATKINS & ASSOCIATES, INC. 2005

REF. J. R. WATKINS & ASSOCIATES, INC. 2007

REF. J. R. WATKINS & ASSOCIATES, INC. 2009

REF. J. R. WATKINS & ASSOCIATES, INC. 2011

REF. J. R. WATKINS & ASSOCIATES, INC. 2013

REF. J. R. WATKINS & ASSOCIATES, INC. 2015

REF. J. R. WATKINS & ASSOCIATES, INC. 2017

REF. J. R. WATKINS & ASSOCIATES, INC. 2019

REF. J. R. WATKINS & ASSOCIATES, INC. 2021

REF. J. R. WATKINS & ASSOCIATES, INC. 2023