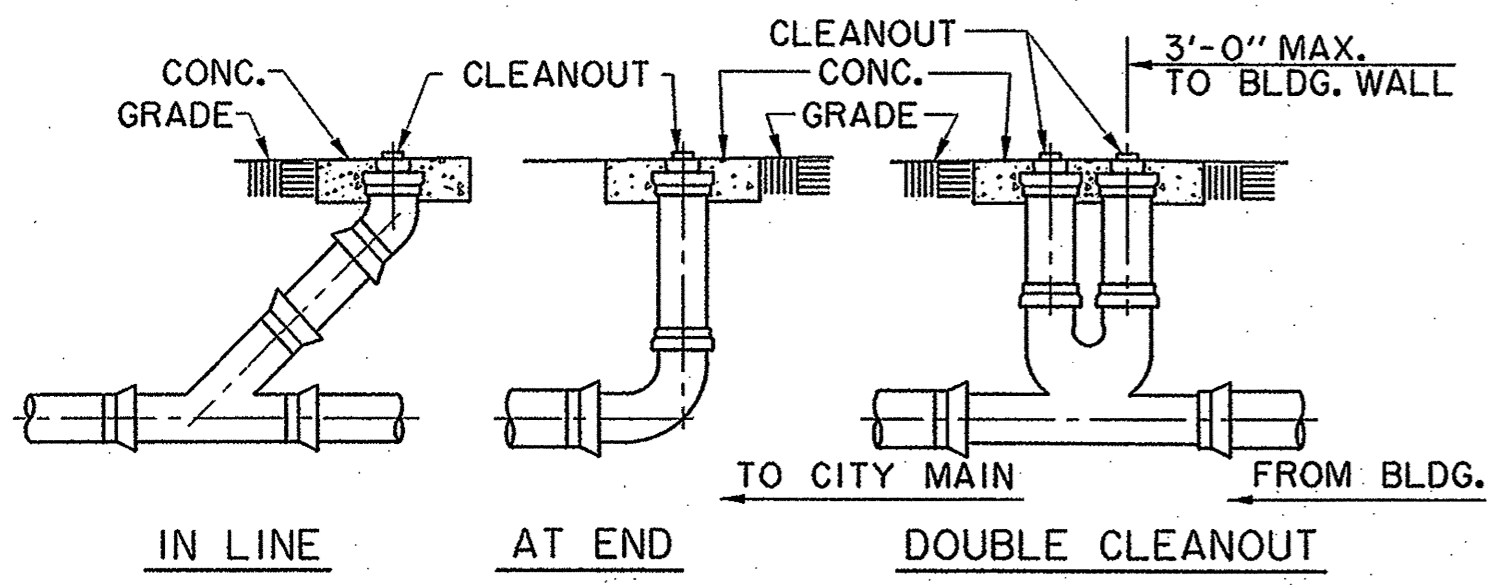


SANITARY SEWER CLEANOUT DETAIL
NTS

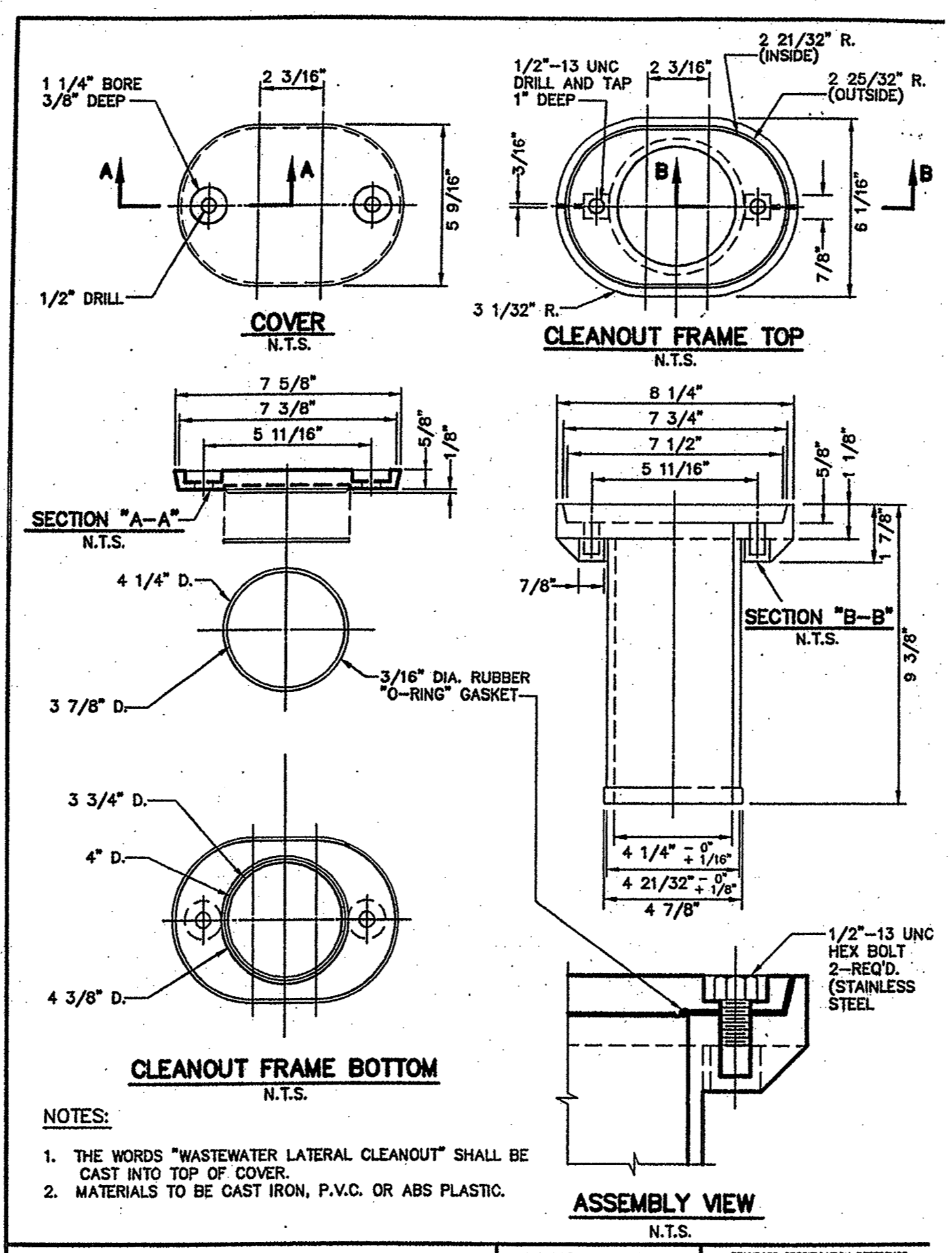
PVC SANITARY SEWER PIPE TO BE SDR 35 OR SDR 26 (AS NOTED ON PLANS) WITH INTEGRAL BELL. IT SHALL BE THE RESPONSIBILITY OF THE CONTRACTOR TO FIELD LOCATE HORIZONTALLY EACH SERVICE IN RELATION TO THE SANITARY SEWER STATIONING.

FIELD TIES ARE TO BE INCLUDED & RECORDED ON ALUMINIZED SANITARY SEWER TAPE. THIS TAPE, GREEN OR RED IN COLOR IS TO BE ATTACHED TO THE 6" SERVICE AT THE R.O.W. LINE AND BROUGHT TO THE SURFACE TO BE USED AS A PERMANENT MARKER.



TYPICAL CLEANOUTS

USE CLASS 2 EMBEDMENT UNLESS OTHERWISE NOTED



WASTEWATER LATERAL CLEANOUT FRAME & COVER
N.T.S.

- NOTES:
1. THE WORDS "WASTEWATER LATERAL CLEANOUT" SHALL BE CAST INTO TOP OF COVER.
 2. MATERIALS TO BE CAST IRON, P.V.C. OR ABS PLASTIC.

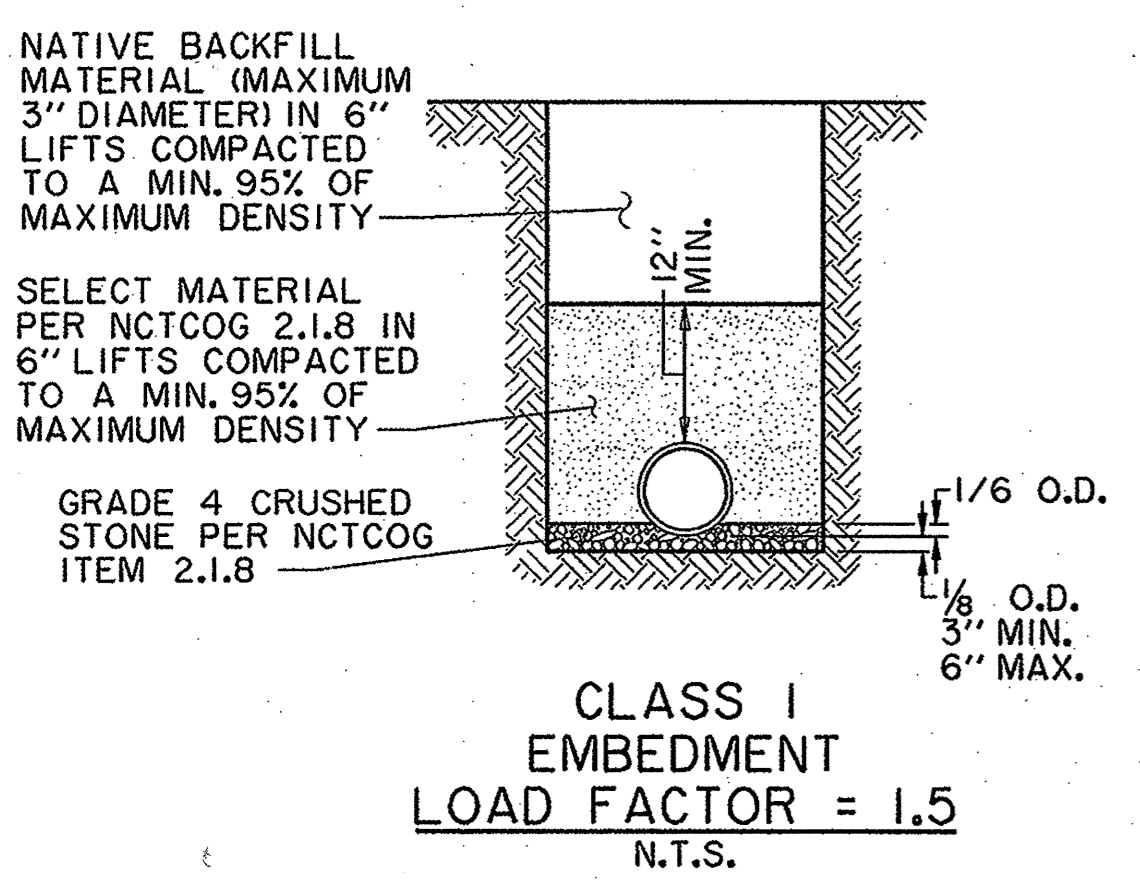
North Central Texas Council of Governments	STANDARD SPECIFICATION REFERENCE
	6.7
DATE	NOV. '96
STANDARD DRAWING NO.	5140

EMBEDMENT DETAILS FOR SANITARY SEWER

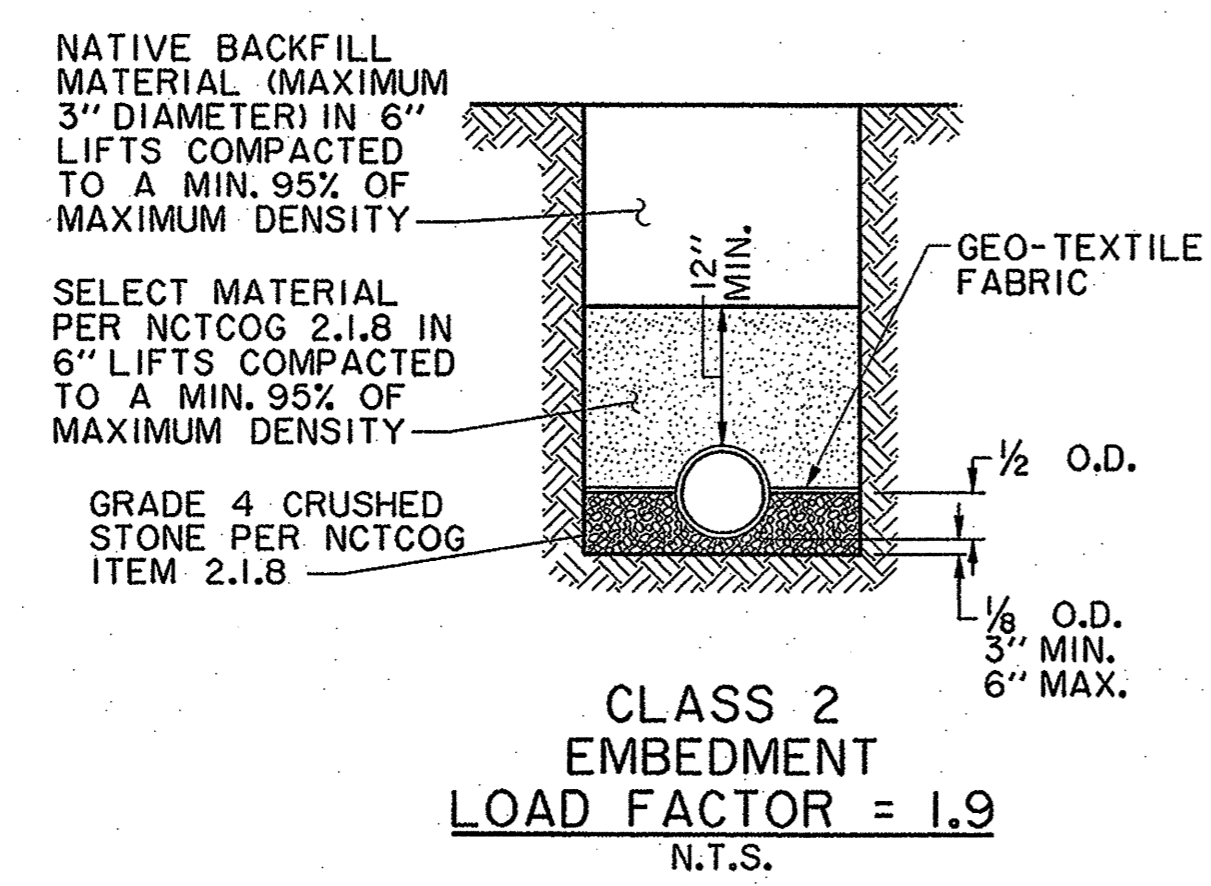
TABLE OF QUANTITIES OF 2000 PSI CONCRETE, GRAVEL OR CRUSHED STONE IN CUBIC YARDS PER 100 LINEAR FEET FOR EACH CLASS EMBEDMENT

TABLE OF QUANTITIES PER 100 LINEAR FEET REINFORCED CONCRETE PIPE							
SIZE OF PIPE IN INCHES I.D.	O.D. OF PIPE IN INCHES	TRENCH WIDTH IN INCHES	TRENCH WIDTH IN FEET	CLASS 1 EMBEDMENT CRUSHED STONE	CLASS 2 EMBEDMENT CONCRETE	CLASS 3 EMBEDMENT CONCRETE	CONCRETE ENCASEMENT
12	16.00	32	2.67	4.1	6.5	4.8	15.8
15	19.50	36	3.00	4.8	7.8	6.4	19.2
18	23.00	39	3.25	5.7	9.2	8.2	21.2
21	26.50	43	3.58	6.9	11.0	10.2	24.9
24	30.00	46	3.83	8.3	13.1	12.4	28.7
27	33.50	51	4.25	10.3	16.1	14.4	32.8
30	37.00	57	4.75	12.7	20.1	17.0	34.8
33	40.50	62	5.17	15.1	23.8	19.3	39.2
36	44.00	67	5.58	18.0	28.6	22.1	43.8

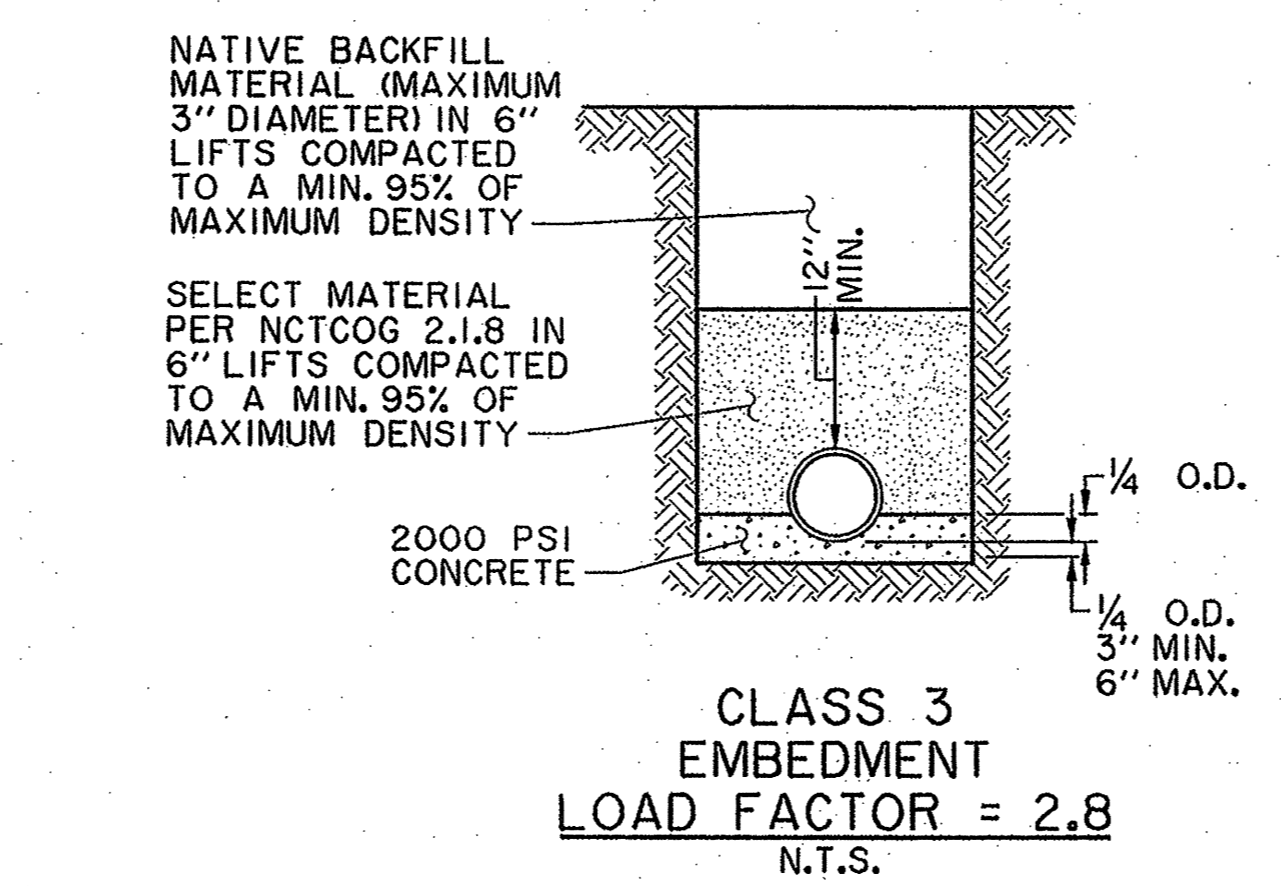
TABLE OF QUANTITIES PER 100 LINEAR FEET-PVC PIPE (IN CUBIC YARDS)					
SIZE OF PIPE IN INCHES I.D.	O.D. OF PIPE IN INCHES	TRENCH WIDTH IN INCHES	TRENCH WIDTH IN FEET	CLASS 4 EMBEDMENT CRUSHED STONE	CONCRETE ENCASEMENT
6	6.28	24	2.00	8.0	11.7
8	8.16	24	2.00	8.7	12.4
10	10.20	26	2.18	10.2	14.2
12	12.24	28	2.35	11.7	15.9
16	15.30	31	2.61	14.0	18.8
24		36	3.0		
30		42	3.5		



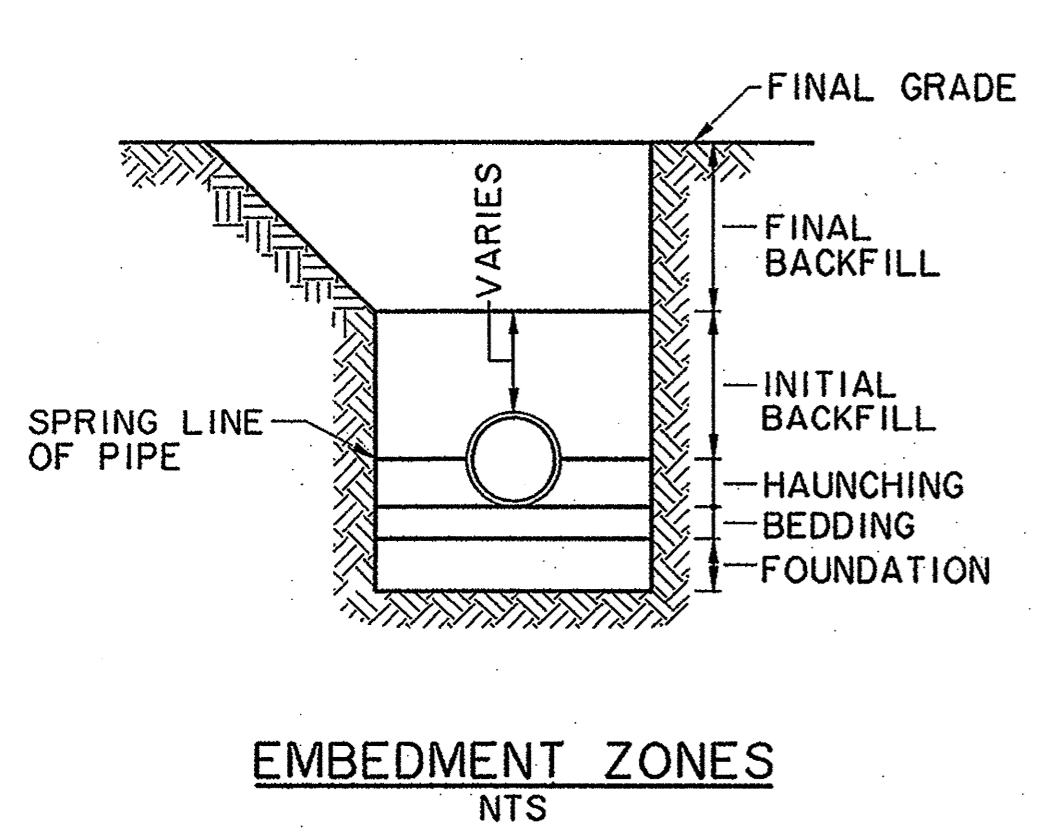
CLASS 1 EMBEDMENT
LOAD FACTOR = 1.5
N.T.S.



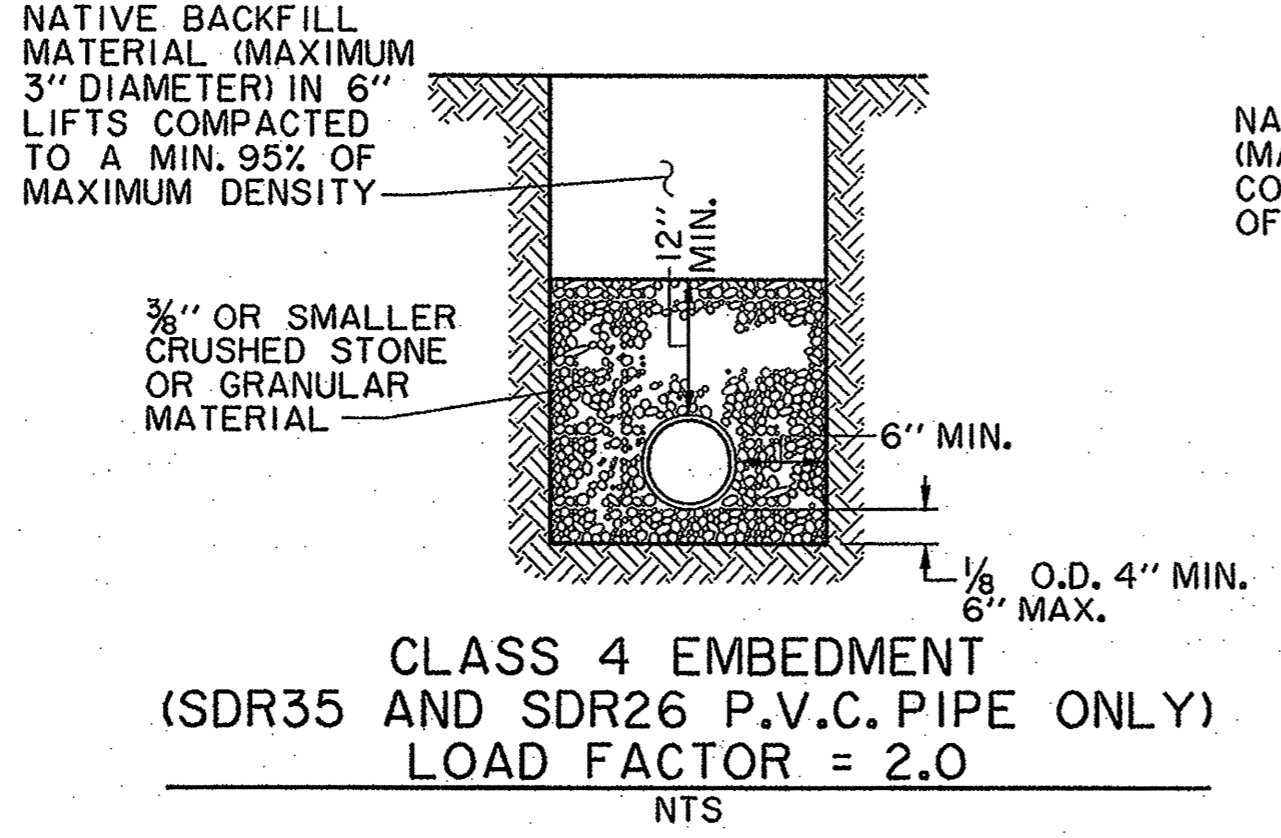
CLASS 2 EMBEDMENT
LOAD FACTOR = 1.9
N.T.S.



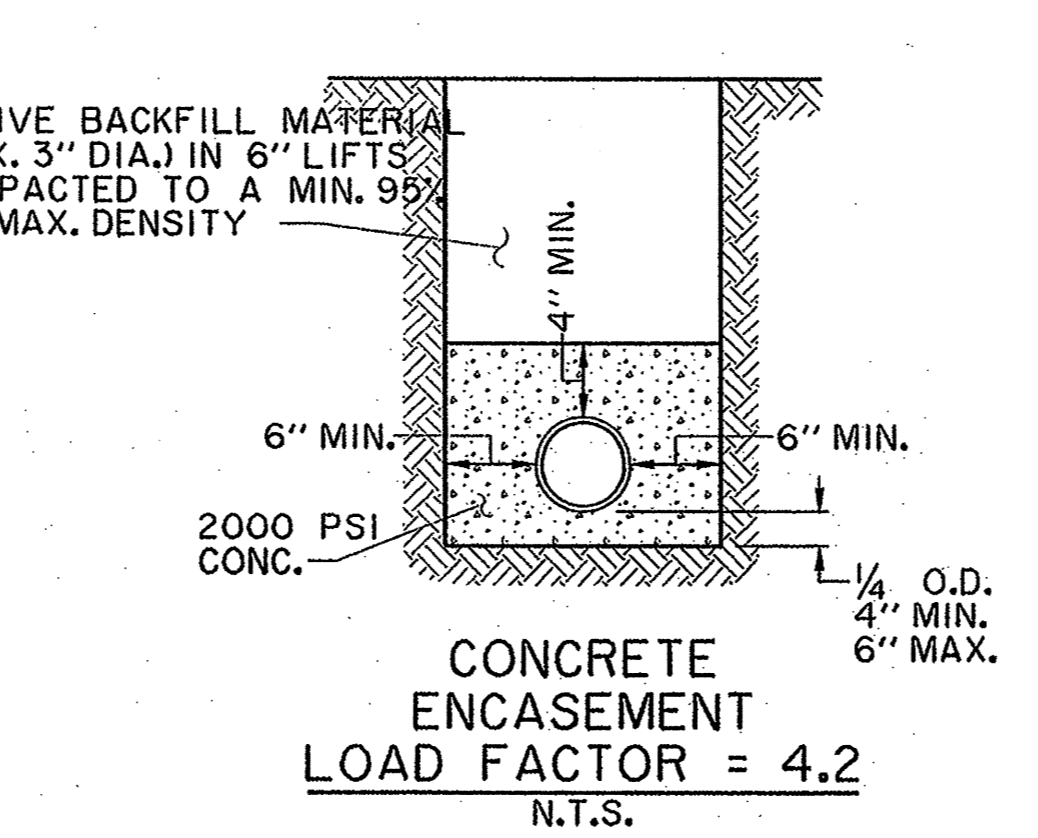
CLASS 3 EMBEDMENT
LOAD FACTOR = 2.8
N.T.S.



EMBEDMENT ZONES
NTS



CLASS 4 EMBEDMENT (SDR35 AND SDR26 P.V.C. PIPE ONLY)
LOAD FACTOR = 2.0
NTS



CONCRETE ENCASEMENT
LOAD FACTOR = 4.2
N.T.S.

TYPICAL NATIVE MATERIAL COMPACTED TO:
95% OF STANDARD PROCTOR DENSITY @ OPTIMUM MOISTURE 0 TO +3% UNDER PVMT.
95% OF STANDARD PROCTOR DENSITY @ OPTIMUM MOISTURE 0 TO +3% OUTSIDE CURB
LINES JETTING IS NOT ALLOWED BACKFILL TO BE COMPACTED IN 6\"/>

RECORD DRAWING

THIS DRAWING HAS BEEN MODIFIED FROM THE ORIGINAL TO SHOW ONLY THE FIELD CHANGES AND ADJUSTMENTS MADE DURING CONSTRUCTION BY THE CONTRACTOR WHICH WERE DOCUMENTED AND FURNISHED TO THE ENGINEER FOR THE PURPOSE OF PREPARING THESE RECORD DRAWINGS. FIELD INSPECTION OF CONSTRUCTION WAS PERFORMED BY OTHERS. TO THE BEST OF OUR KNOWLEDGE AND UNDERSTANDING THESE RECORD DRAWINGS REPRESENT THE "AS-BUILT" CONDITIONS.



WASTEWATER DETAILS							
ADDISON RESIDENTIAL							
TOWN OF ADDISON, TEXAS							
<small>PHILLIP ZOLLERS, INC. 3131 McKinney Ave., Suite 600, Dallas, TX 75204 Phone (214) 871-3311/Fax (214) 871-0757</small>							
DESIGN	CHECKED	APPR.	SCALE	DATE	PROJECT NO.	NO.	
HZI	HZI		N.T.S.	11/20/08		C36	