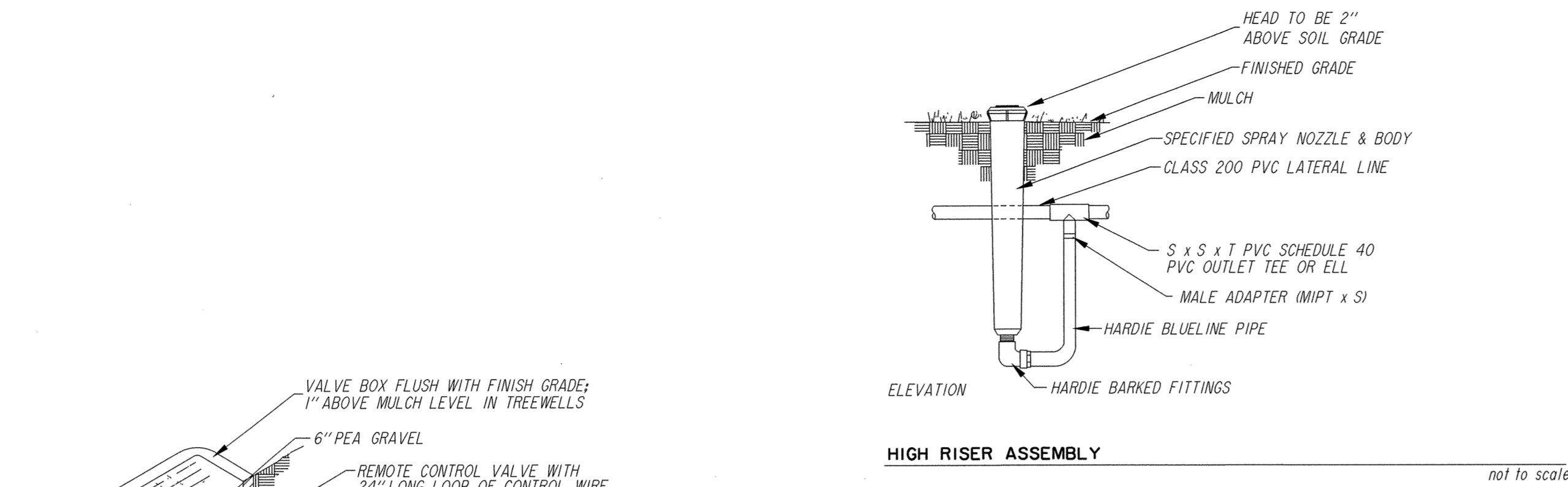


H:\proj\01340801\dgn\3629LR03.dgn
 V:\DESIGN\BIBO\BIBO.DWG
 11/15/2008 10:00 AM
 11/15/2008 10:00 AM
 11/15/2008 10:00 AM

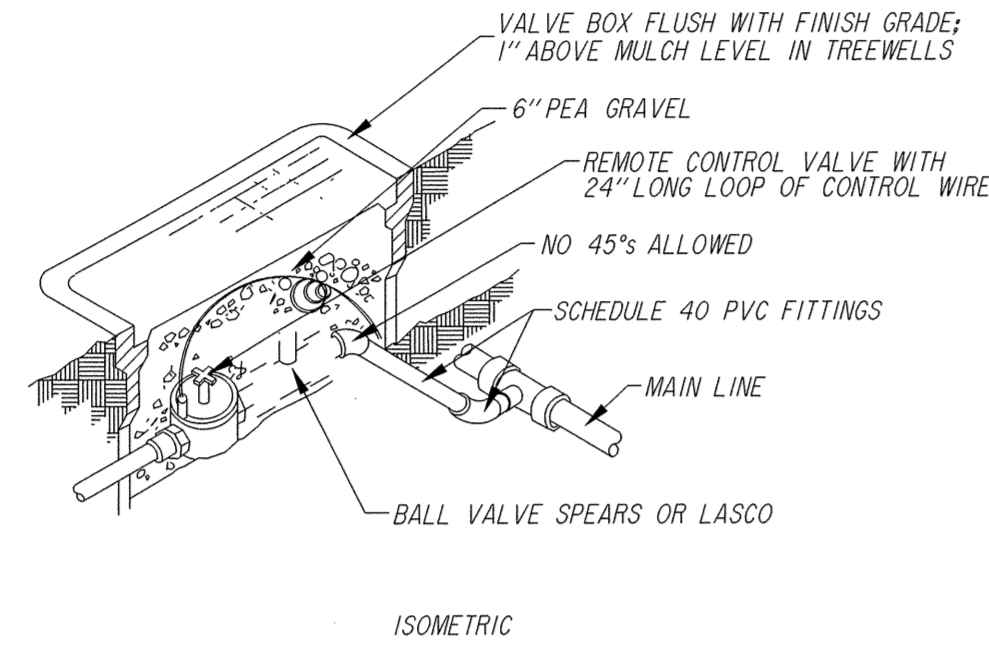
H:\proj\01340801\dgn\3629LR03.dgn
 V:\DESIGN\BIBO\BIBO.DWG
 11/15/2008 10:00 AM
 11/15/2008 10:00 AM
 11/15/2008 10:00 AM

H:\proj\01340801\dgn\3629LR03.dgn
 V:\DESIGN\BIBO\BIBO.DWG
 11/15/2008 10:00 AM
 11/15/2008 10:00 AM
 11/15/2008 10:00 AM



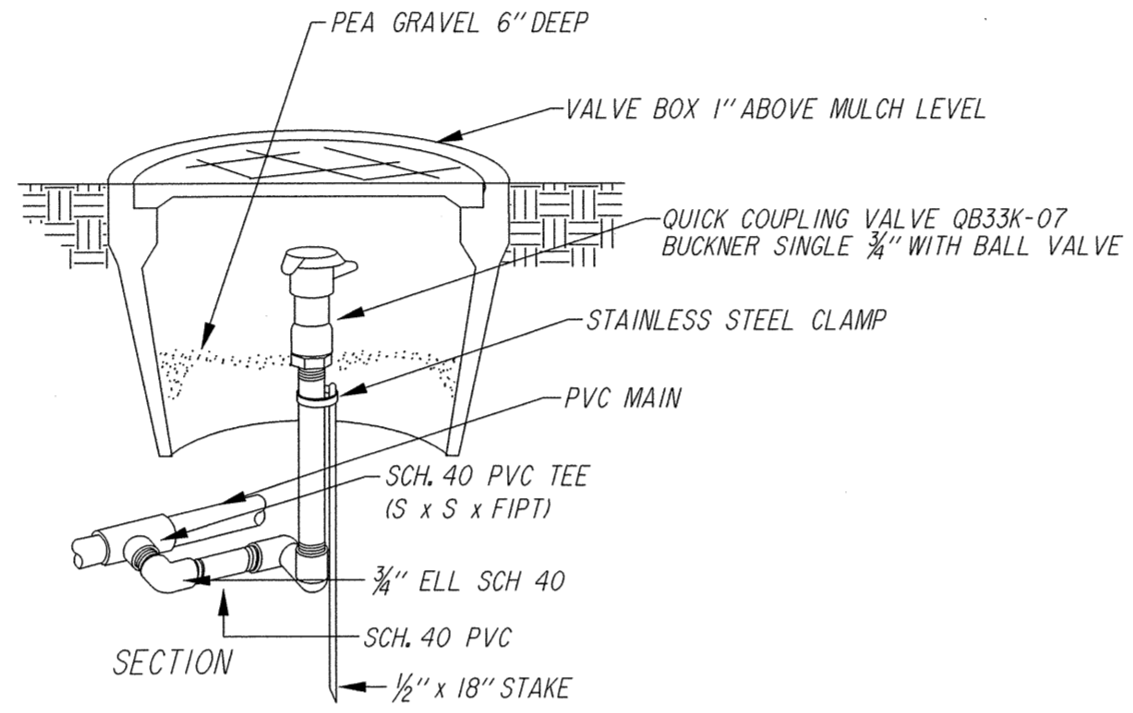
HIGH RISER ASSEMBLY

not to scale



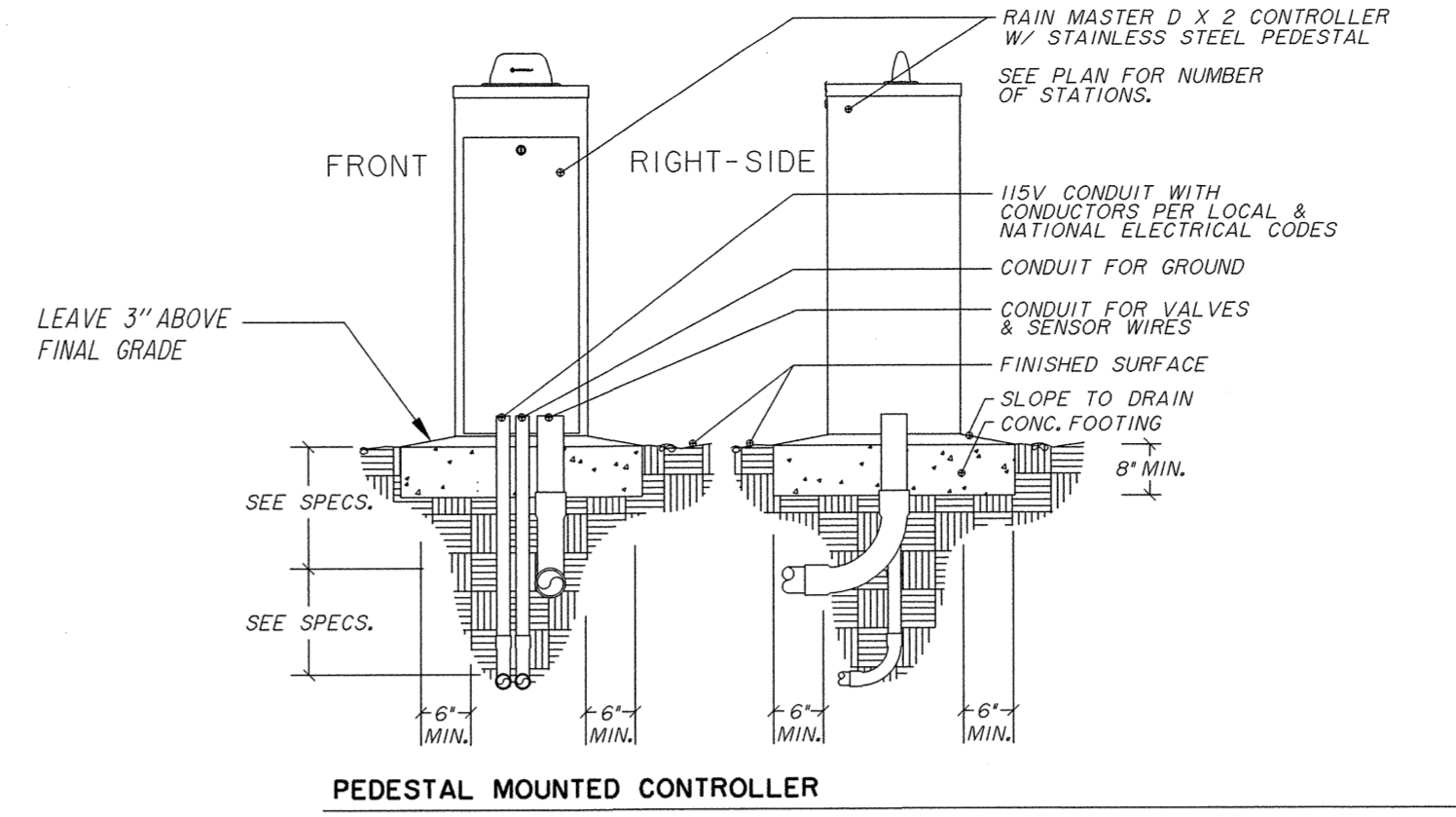
REMOTE CONTROL AND BALL VALVE

not to scale



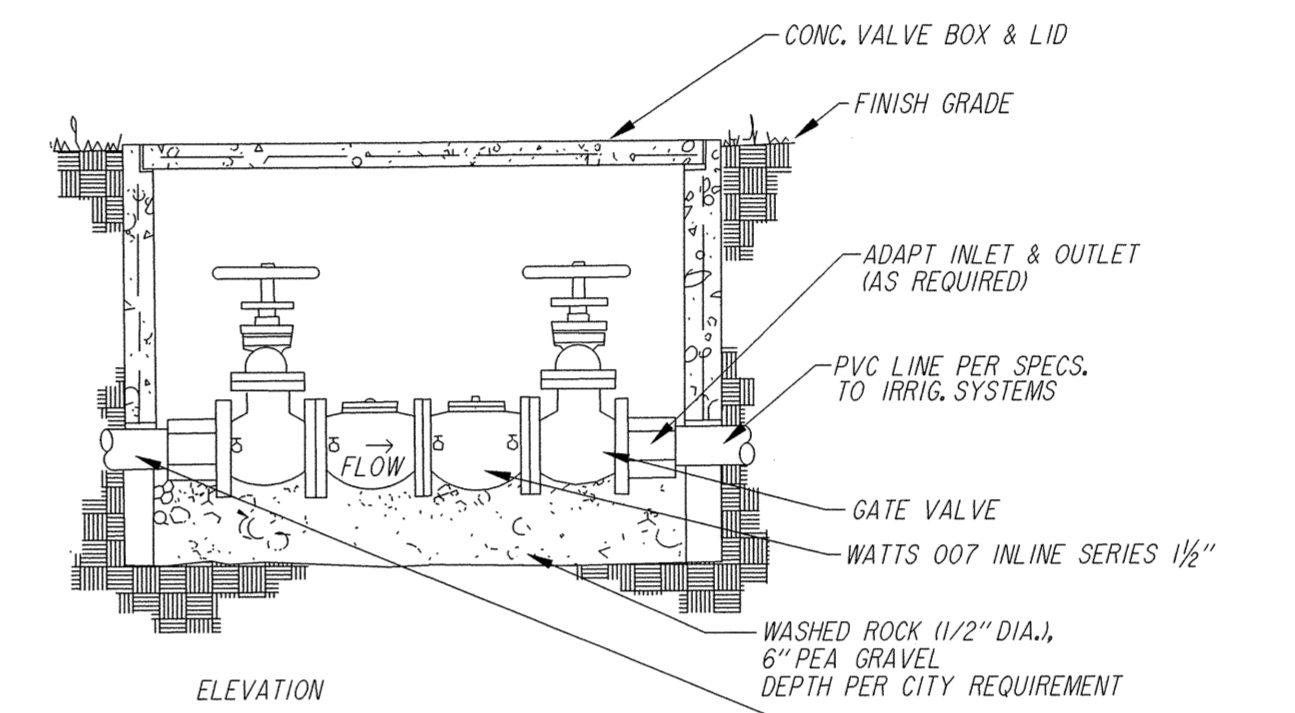
QUICK-COUPLING VALVE

not to scale



PEDESTAL MOUNTED CONTROLLER

not to scale



BACKFLOW PREVENTER

not to scale

IRRIGATION LEGEND

- RAINBIRD 1800 POP-UP WITHOUT SIDE INLET, 5\"/> QUARTER NOZZLE (0.1 gpm)
- RAINBIRD 1800 POP-UP WITHOUT SIDE INLET, 5\"/> HALF NOZZLE (0.2 gpm)
- HUNTER PCN BUBBLER NOZZLE (10.5 gpm).
USE APPROPRIATE SIZED 1/2\"/> SCH. 80 RISER SO NOZZLE WILL NOT TOUCH BOTTOM OF GRATE AND NOZZLE WILL BE 2\"/> ABOVE MULCH.
- SCHEDULE 40 PVC MAINLINE
- CLASS 200 PVC LATERAL LINE
NOTE: (ALL DIRECTLY BURIED LINE BENEATH PAVING SHALL BE SLEEVED IN SCHEDULE 40 PVC, ALL LINES UNDER PAVING SHALL BE SLEEVED; NO DIRECT BURIAL ALLOWED.)
- CLASS 200 PVC sleeve"/> 6\"/> CLASS 200 PVC SLEEVE
- Schedule 40 PVC sleeve"/> 4\"/> SCHEDULE 40 PVC SLEEVE
- GPM THROUGH VALVE
- VALVE SEQUENCING NUMBER
SIZE OF VALVE
- BUCKNER V075 QUICK COUPLING VALVE
- RAIN MASTER FLOW METER
- WEATHERMATIC 11000 FCR SERIES STATION VALVE WITH LASCO OR SPEARS BALL VALVE UP STREAM OF VALVE.
- MASTER VALVE WEATHERMATIC 11000 FCR SERIES
- irrigation meter with 2\"/> tap"/> IRRIGATION WATER METER (MASTER OR HERSEY BRAND) WITH TWO (2) BRASS FLANGES (PROVIDE 1-1/2\"/> IRRIGATION METER WITH 2\"/> TAP)
- M series in line or in flush valve box with 2\"/> tap"/> WATTS DOUBLE CHECK VALVE, 1-1/2\"/> M SERIES IN LINE OR IN FLUSH VALVE BOX WITH 2\"/> TAP.
- RAIN MASTER EVOLUTION DX-2 CONTROLLER
- P.O.C. POINT OF CONNECTION TO BE VERIFIED WITH RON LEE.

IRRIGATION NOTES

1. LINE LAYOUT IS DIAGRAMMATIC-ADJUST HEAD AND LINE LOCATIONS ON SITE TO ACCOMMODATE EXISTING JOB CONDITIONS, SLEEVE LOCATIONS AND TO ACHIEVE COMPLETE COVERAGE.
2. ALL MAIN LINE PIPING SHALL BE BURIED TO HAVE A MINIMUM COVER OF 14\"/> ALL LATERAL PIPING DOWNSTREAM OF THE MAIN LINE SHALL BE BURIED TO HAVE A MINIMUM COVER OF 12\"/>.
3. ALL VALVE BOXES SHALL BE GREEN LID AND BLACK BODY (AMETEK) TEN(10)\"/> INCHES BY FOURTEEN(14)\"/> INCHES (RECTANGULAR) FOR REMOTE CONTROL VALVES AND TEN(10)\"/> INCHES (ROUND) FOR QUICK COUPLER VALVES.
4. CONTRACTOR SHALL NOTIFY THE LANDSCAPE ARCHITECT, IF THE STATIC PRESSURE IS LESS THAN THE DESIGN STATIC PRESSURE OF 85 PSI, PRESSURE REGULATION AT THE SOURCE SHALL BE REQUIRED IF PRESSURE IS GREATER THAN 75 PSI.
5. ALL WIRING FROM THE IRRIGATION CONTROLLER TO THE REMOTE CONTROL VALVES SHALL BE UF-14(1) DIRECT BURIAL CABLE, (WHITE FOR COMMON, RED FOR STATIONS AND BLUE FOR MASTER VALVE) ALL WIRE SPLICES SHALL BE MADE IN VALVE BOXES ONLY USING KING CONNECTORS AND SEALANT, PROVIDE SCHEDULE 40 SLEEVES FOR WIRE UNDER PAVED AREAS AS REQUIRED.
6. CONTRACTOR SHALL NOT TRENCH IN CRITICAL ROOT ZONE AREA FOR EXISTING TREES.
7. CONTRACTOR SHALL PROVIDE FOR RAINMASTER REMOTE CONTROL SYSTEM.
8. CONTRACTOR SHALL PROVIDE PHONE SERVICE AND ELECTRICAL SERVICE TO THE CONTROLLER.
9. NO FITTINGS WILL BE ALLOWED UNDER PAVED SURFACES WITHOUT SLEEVES.
10. ALL IRRIGATION INSTALLATION SHALL CONFORM TO THE LOCAL CODES AND REGULATIONS.
11. IRRIGATION SYSTEM SHALL BE INSTALLED AND FULLY OPERATIONAL BEFORE LANDSCAPING INSTALLATION.
12. IRRIGATION HEADS SHALL BE PLACED AND ADJUSTED SO AS NOT TO SPRAY ON ANY STRUCTURE, SIDEWALK OR STREET.
13. IRRIGATION HEADS SHALL BE PLACED AND SIZED SO AS NOT TO BE SUSCEPTIBLE TO DAMAGE BY AUTOMOBILE OVERHANGES.
14. IRRIGATION CONTRACTOR SHALL PLACE ADJUSTABLE ARC NOZZLES IN PLACE OF FIXED ARC NOZZLE AS NEEDED TO ELIMINATE OVERSPRAY ON TO PAVEMENT.
15. TOWN OF ADDISON'S SPECIFICATIONS SUPERSEDE ALL OTHER SPECIFICATIONS.

BENCHMARKS:

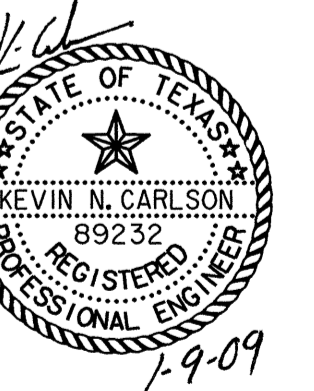
BM#5
"C" CUT ON 8' INLET ON NORTH CURB LINE OF GOODMAN AVE. ±75' EAST OF PASCHAL PLACE. ELEV. 629.98

BM#6
"C" CUT AT C OF 8' INLET AT THE SOUTHWEST CORNER OF MORRIS AVE. AND WITT PLACE. ELEV. 627.29

BM#7
"C" CUT AT WEST CORNER OF ADDISON THEATRE CENTRE PARKING LOT, SECOND ENTRANCE NORTH OF ADDISON RD. ELEV. 637.66

RECORD DRAWING

THIS DRAWING HAS BEEN MODIFIED FROM THE ORIGINAL TO SHOW ONLY THE FIELD CHANGES AND ADJUSTMENTS MADE DURING CONSTRUCTION BY THE CONTRACTOR WHICH WERE DOCUMENTED AND FURNISHED TO THE ENGINEER FOR THE PURPOSE OF PREPARING THESE RECORD DRAWINGS. FIELD INSPECTION OF CONSTRUCTION WAS PERFORMED BY OTHERS. TO THE BEST OF OUR KNOWLEDGE AND UNDERSTANDING THESE RECORD DRAWINGS REPRESENT THE "AS-BUILT" CONDITIONS.



IRRIGATION DETAILS						
ADDISON RESIDENTIAL						
TOWN OF ADDISON, TEXAS						
Hurl - Zolters, Inc. 3131 McKinney Ave., Suite 600, Dallas, TX 75204 Phone (214) 871-3311/Fax (214) 871-0757						
DESIGN	CHECKED	APPR.	SCALE	DATE	PROJECT NO.	NO.
HZI	HZI	DEM	NTS	11/20/08		C46