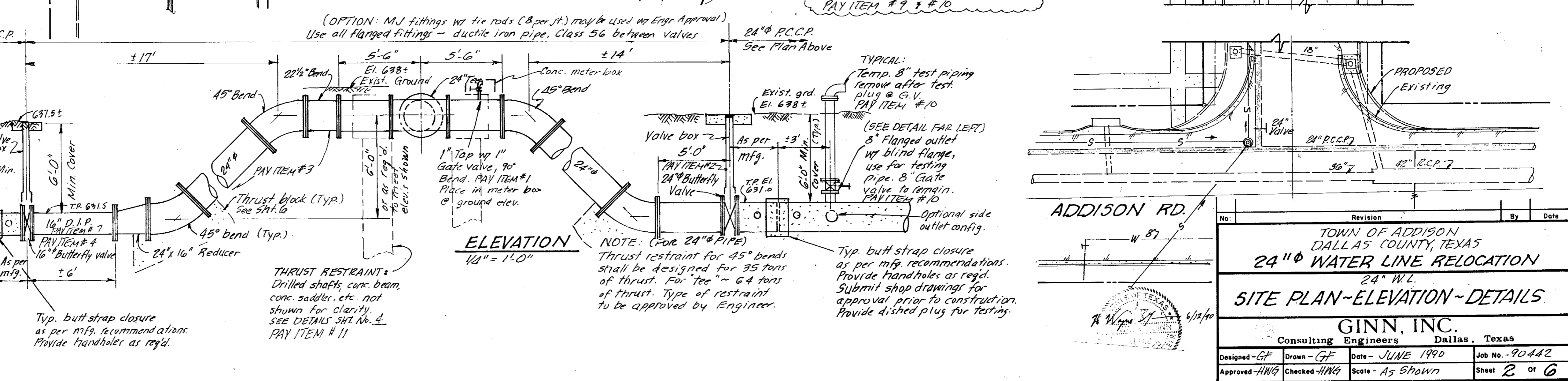
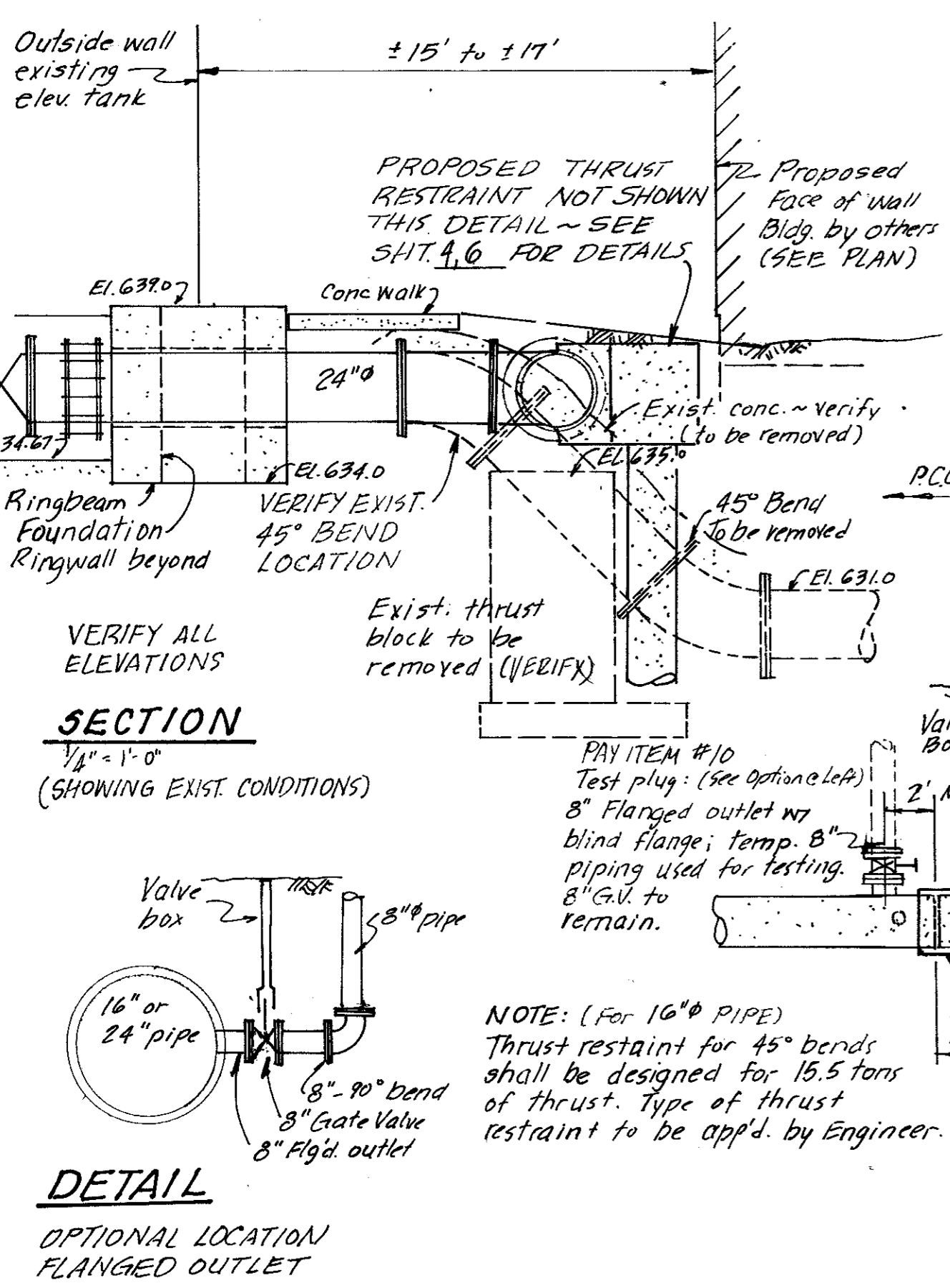
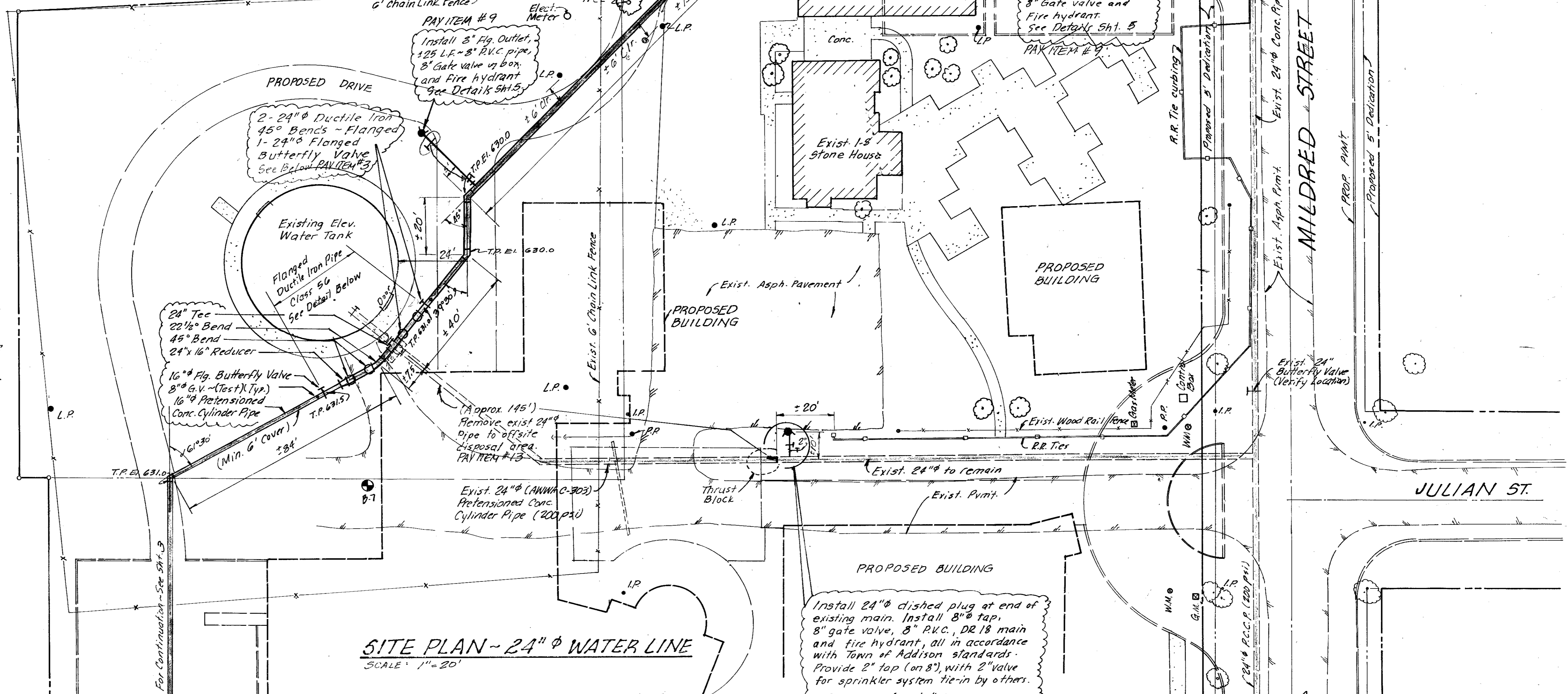
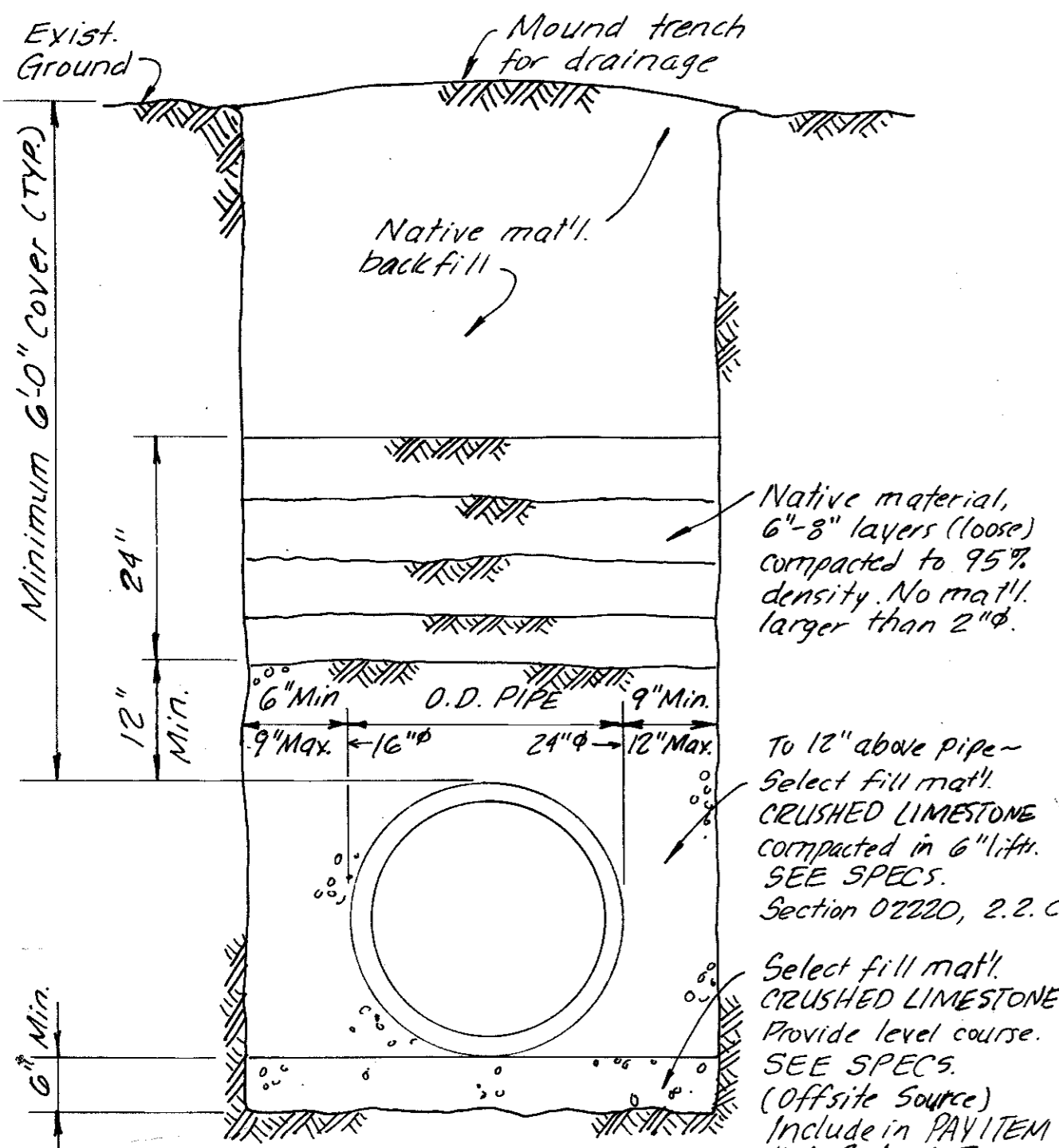


**GENERAL NOTES: TRENCH SAFETY (PAY ITEM #12)**

1. CONTRACTOR SHALL PROVIDE & ASSUME FULL RESPONSIBILITY FOR THE DESIGN AND ADEQUACY OF TRENCH SAFETY TO FULLY COMPLETE THE CONSTRUCTION.
2. A COPY OF THE SUBSURFACE EXPLORATION IS PROVIDED IN APPENDIX OF SPECIFICATIONS.
3. TYPE OF TRENCH SAFETY USED SUBJECT TO APPROVAL BY ENGINEER. CONTRACTOR SHALL SUBMIT PLANS SHOWING DETAILS SUCH AS SPACING, CONFIGURATION, TYPES & GRADES OF MATERIALS, DIMENSIONS, STRESS ALLOWABLES, ETC. AND SEALED BY A REGISTERED P.E. IN THE STATE OF TEXAS. THE DESIGN LATERAL EARTH PRESSURE USED IN THE DESIGN SHALL BE STATED.
4. DESIGN CRITERIA: U.S. DEPT. OF LABOR, OSHA PUBLICATIONS OSHA 1926 AND 2232.

5. ACCEPTABLE TRENCH SAFETY METHODS ARE: TIMBER SHORING, PREMANUFACTURED METAL SHORING SYSTEMS, PORTABLE TRENCH BOXES, OR SLOTTED EXCAVATIONS.
6. ALL TRENCHES SHALL BE SHORED OR LAID BACK TO A STABLE SLOPE; CHOICE OF METHOD LEFT TO CONTRACTOR, SUBJECT TO ENGR. APPROVAL.
7. AREA OF TRENCH EXCAVATION WITHIN 20' HORIZ. OF TANK FOUNDATION MUST USE SHORING SYSTEM; SLOPING SIDES OF TRENCHES WILL NOT BE ALLOWED.
8. PLANS & CERTIFICATION MUST BE SUBMITTED 10 DAYS PRIOR TO BEGINNING EXCAVATION.
9. CONTR. MUST RECEIVE WRITTEN APPROVAL FOR SYSTEM PROPOSED PRIOR TO BEGINNING WORK.



TOWN OF ADDISON DALLAS COUNTY, TEXAS			
24" φ WATER LINE RELOCATION			
24" W.L.			
SITE PLAN - ELEVATION - DETAILS			
GINN, INC.			
Consulting Engineers Dallas, Texas			
Designed - GF	Drawn - GF	Date - JUNE 1990	Job No. - 90442
Approved - HNG	Checked - HNG	Scale - As Shown	Sheet 2 of 6