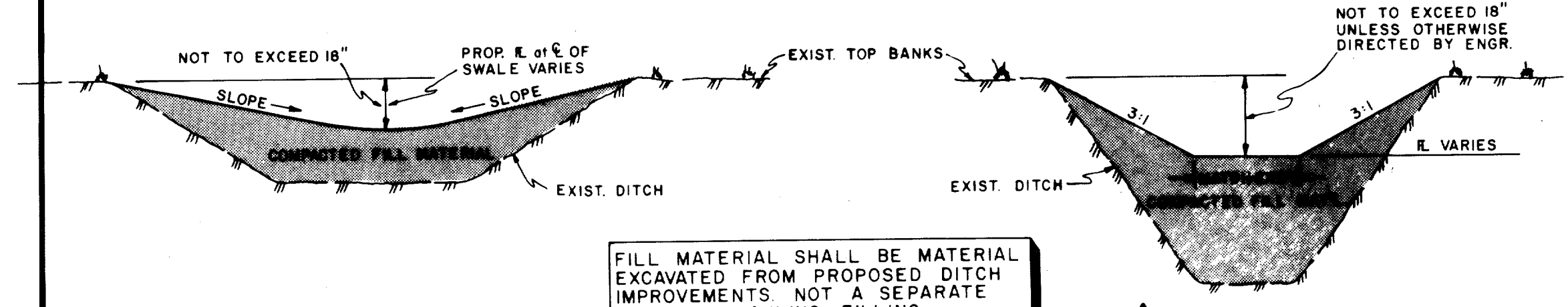


NOTE: DEPTH OF FILLED DITCH SHALL ALLOW POSITIVE DRAINAGE AND SHALL BE A MIN. OF 18" BELOW EXIST. TOP BANK AND GRADED ON A MIN. OF 0.50% SLOPE OR AS OTHERWISE DIRECTED BY ENGINEER.

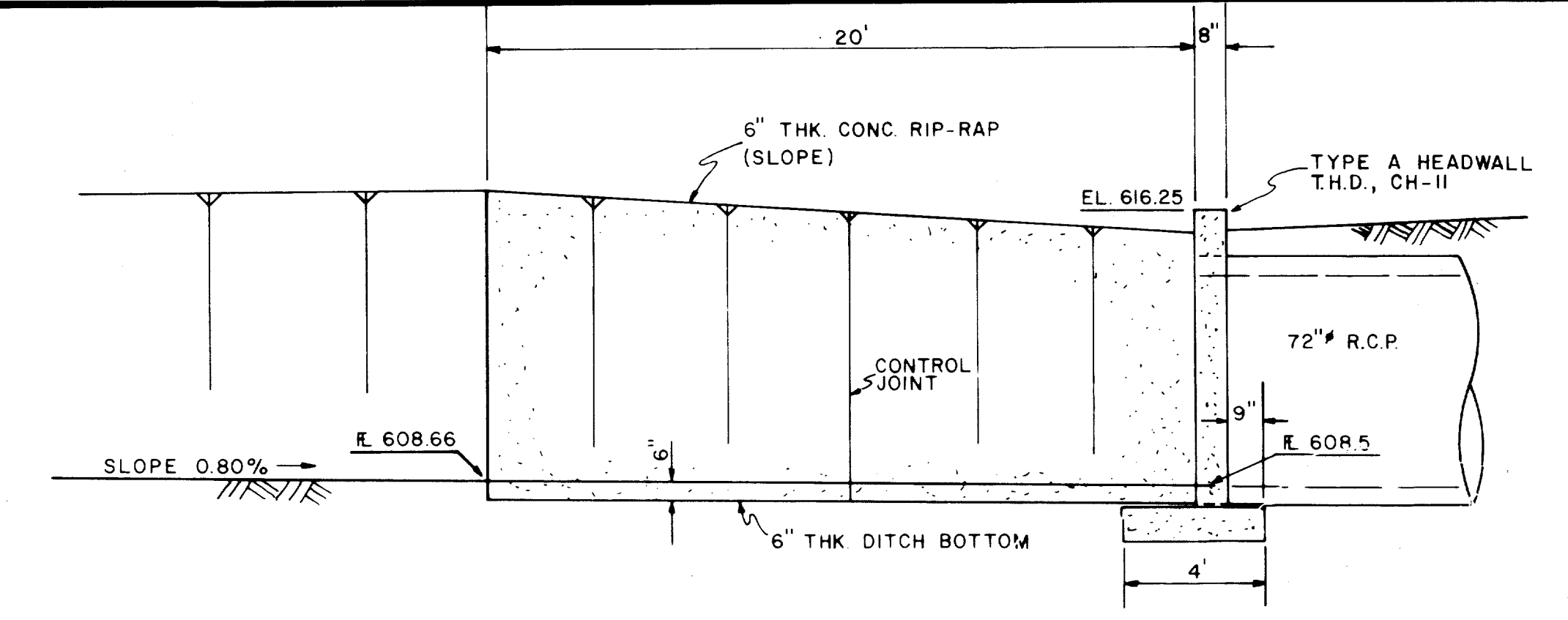


**SECTION C**  
(MAIN DITCH)  
See Plan Sht. 31

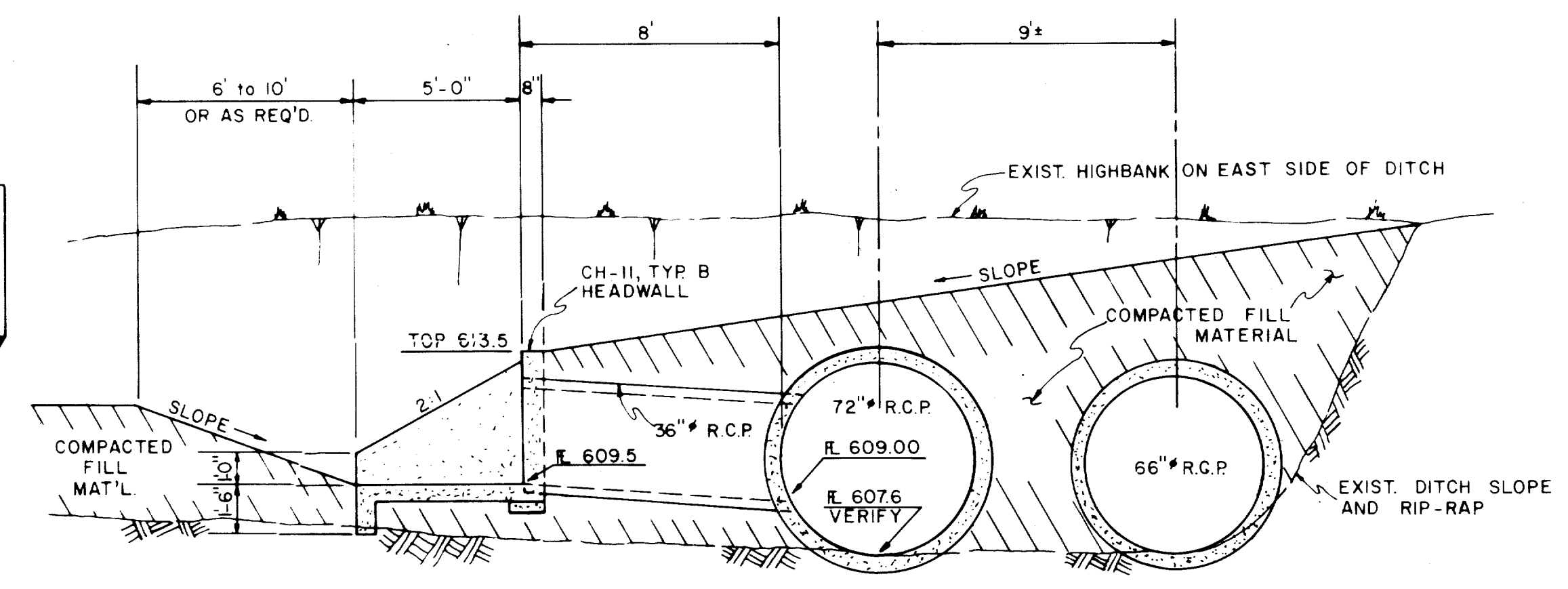
FILL MATERIAL SHALL BE MATERIAL EXCAVATED FROM PROPOSED DITCH IMPROVEMENTS. NOT A SEPARATE PAY ITEM. HAULING, FILLING, COMPACTING, DRESSING UP SHALL BE INCIDENTAL TO CONSTRUCTION.

**SECTION D**  
(SECONDARY DITCH)

THESE SECTIONS PART OF THIS CONTRACT - ALL OTHER ITEMS SHOWN ON THIS SHEET DELETED BY REVISION Δ.

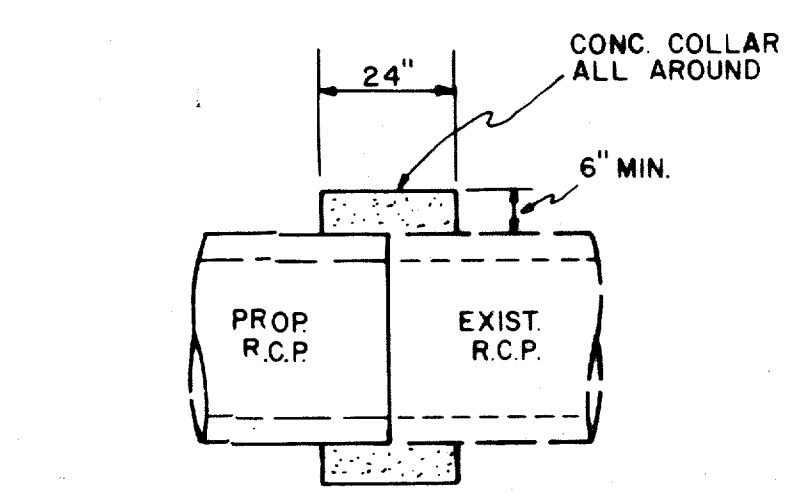


**SECTION B**  
Scale: 1/4"=1'-0"



NOTE: EXCAVATED MATERIAL FROM PROPOSED DITCH MAY BE USED AS FILL MATERIAL IF FREE OF ROCKS & DEBRIS. USE "ORDINARY COMPACTION METHODS" IN ACCORDANCE WITH T.H.D. ITEM 132. NOT A SEPARATE PAY ITEM INCIDENTAL TO CONSTRUCTION.

**SECTION A**  
Scale: 1/4"=1'-0"



**TYP. CONNECTION DETAIL**  
N.T.S.

NOTE: GRADE AREA OVER PROPOSED R.C.P.'S TO DRAIN. PROVIDE POSITIVE DRAINAGE TOWARDS DITCHES, OR AS OTHERWISE DIRECTED BY ENGINEER.

TYP. CH-II, TYPE B HEADWALL. SEE DET. at R1.

SEE DETAIL at R1 THIS SHT.

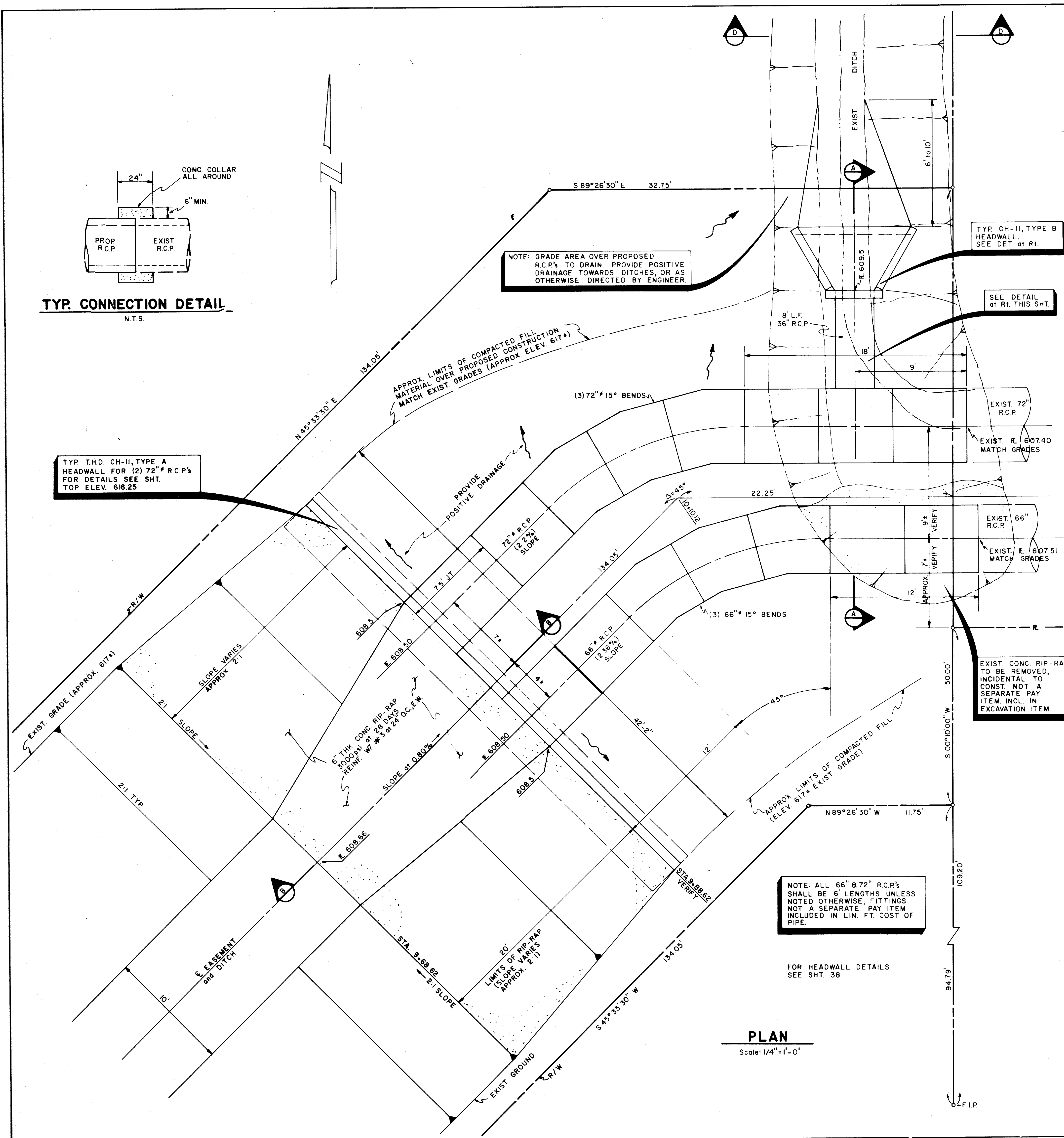
TYP. T.H.D. CH-II, TYPE A HEADWALL FOR (2) 72" R.C.P.'S FOR DETAILS SEE SHT. TOP ELEV. 616.25

EXIST. CONC RIP-RAP TO BE REMOVED, INCIDENTAL TO CONST. NOT A SEPARATE PAY ITEM INCL. IN EXCAVATION ITEM.

NOTE: ALL 66" & 72" R.C.P.'S SHALL BE 6' LENGTHS UNLESS NOTED OTHERWISE. FITTINGS NOT A SEPARATE PAY ITEM INCLUDED IN LIN. FT. COST OF PIPE.

FOR HEADWALL DETAILS SEE SHT. 38

**PLAN**  
Scale: 1/4"=1'-0"



"AS BUILT"			
No.	Revision	By	Date
CITY OF ADDISON DALLAS COUNTY, TEXAS QUORUM DRIVE			
<b>OFFSITE DRAINAGE DETAILS</b>			
<b>GINN, INC.</b> Consulting Engineers Dallas, Texas			
DESIGN - GF	DRAWN - GAP	SCALE - AS SHOWN	PROJ. - J-203
APPR'D - WG	CHK'D - GF	DATE - MAY, 1984	SHEET - 32 of 38