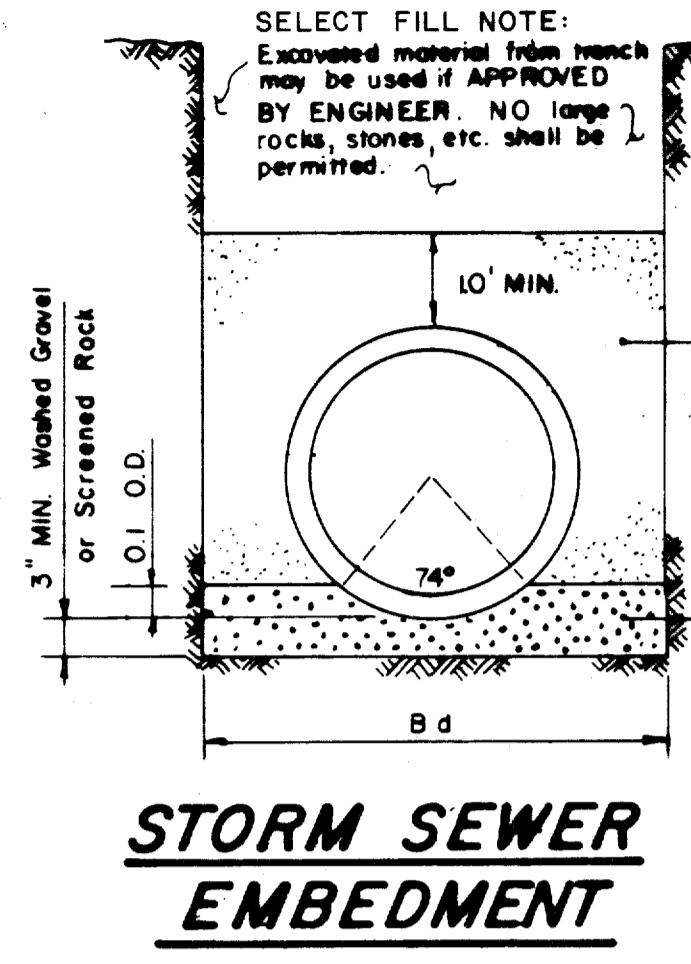


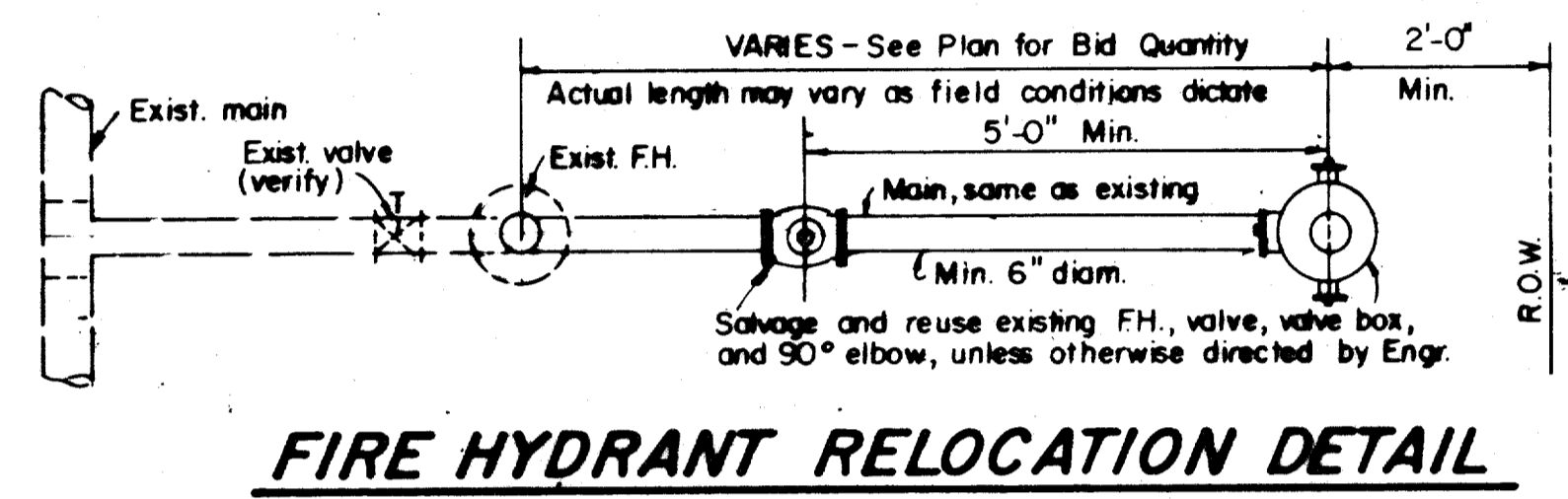
STORM SEWER EMBEDMENT					
PIPE DIAM.		B d	CU. YDS. Per 100 L.F.		
I.D.	O.D.		GRAVEL	GRANULAR MATERIAL	
15"	19"	39"	4.53	22.28	
18"	22.5"	42"	5.13	25.15	
21"	26"	45"	5.76	28.03	
24"	29.5"	48"	6.42	30.94	
27"	33"	51"	7.11	33.86	
30"	37"	54"	7.85	36.72	
33"	40.5"	57"	8.59	39.64	
36"	44"	60"	9.36	42.58	
39"	47.5"	63"	10.16	45.53	
42"	51"	66"	10.99	48.51	
48"	58"	72"	12.72	54.51	
54"	65"	78"	14.57	60.57	
60"	72"	84"	16.53	66.71	
66"	79"	90"	18.60	72.92	
72"	86"	96"	20.79	79.19	
78"	93"	102"	23.08	85.53	
84"	100"	108"	25.49	91.95	
90"	108.5"	115"	28.47	99.02	
96"	114"	120"	30.64	104.98	
102"	122.5"	129"	34.66	118.41	



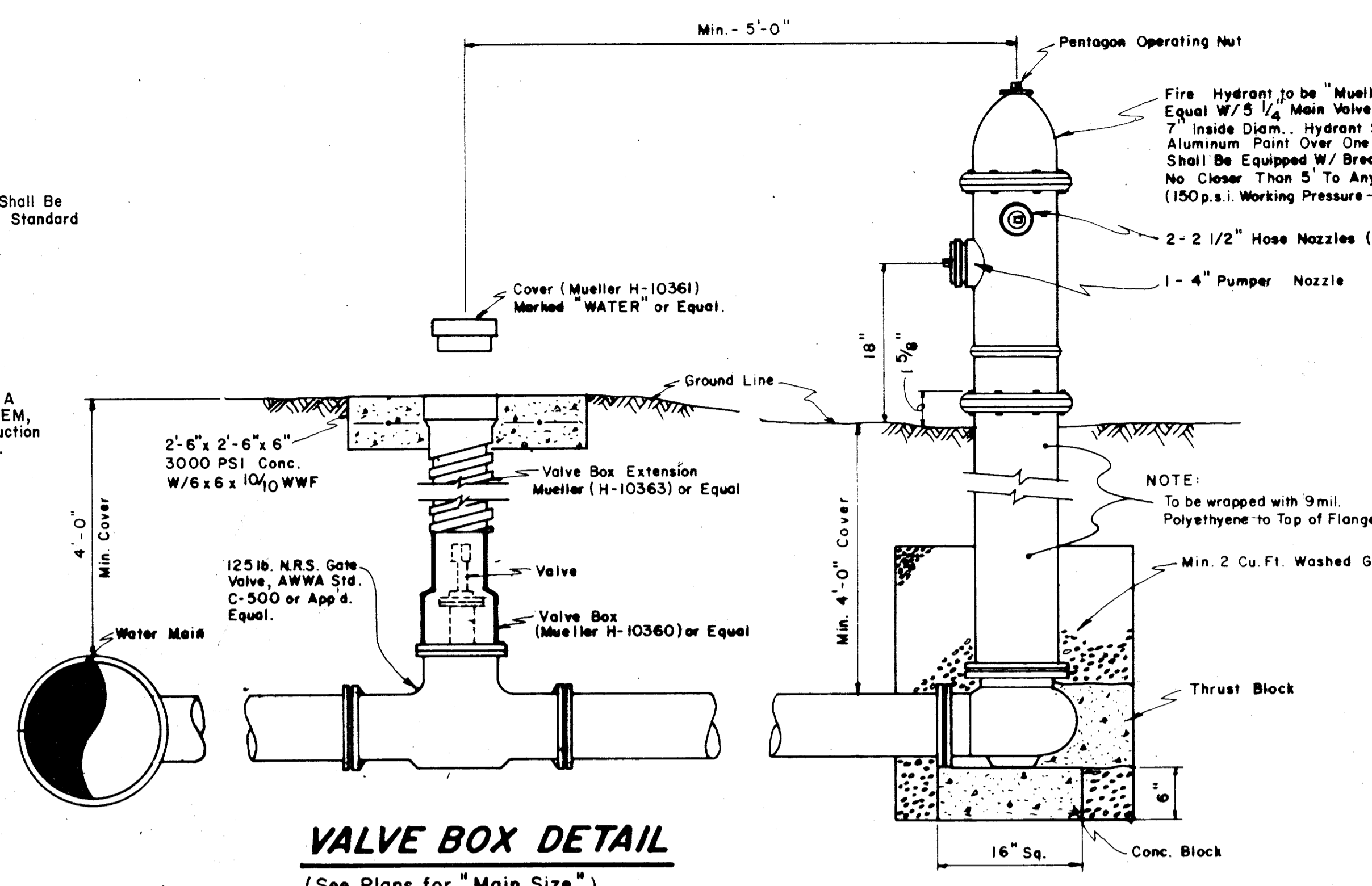
**STORM SEWER EMBEDMENT**

NOTE: All Backfill Shall Be Compacted to 92% Standard Proctor Density.

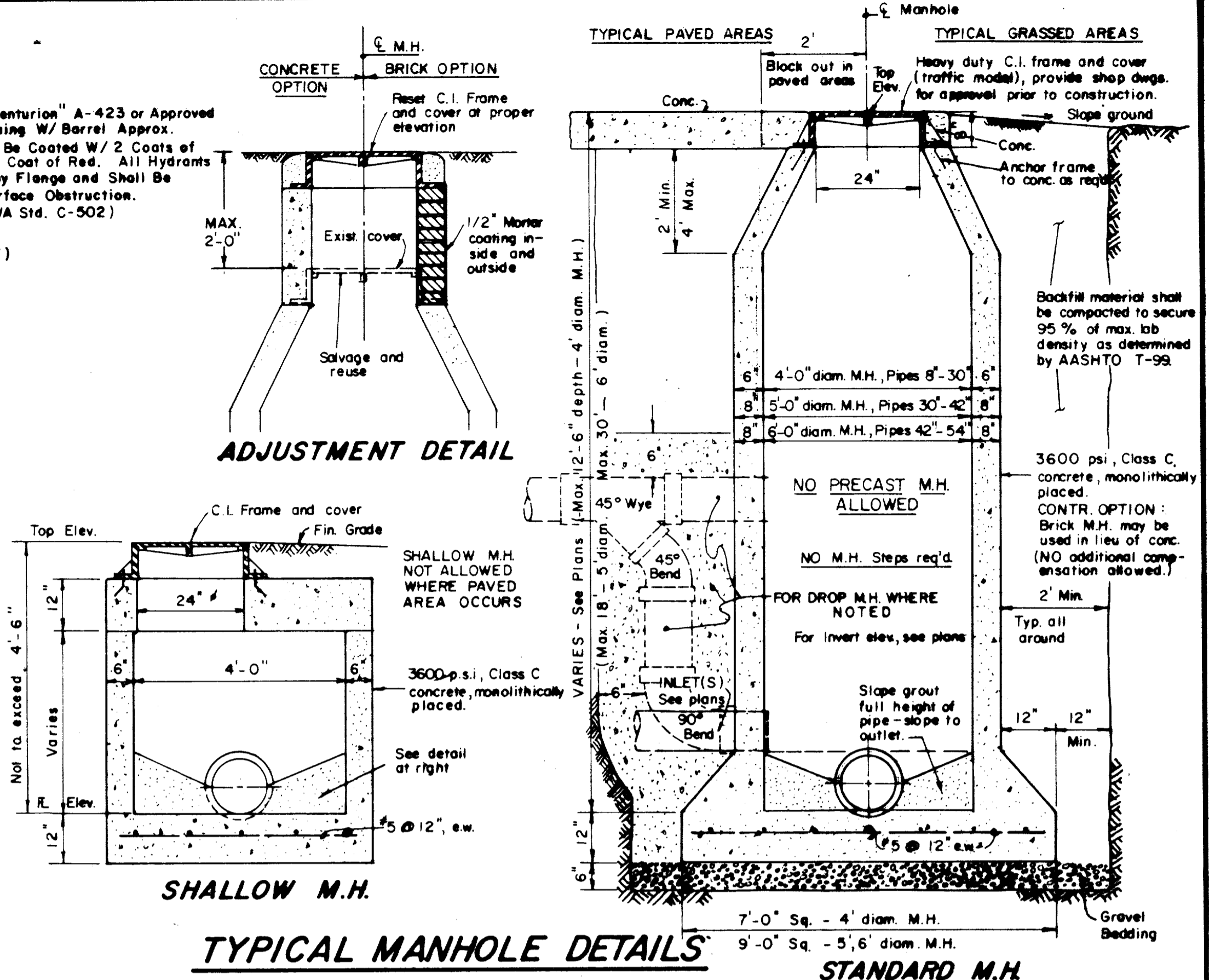
EXCAVATION NOT A SEPARATE PAY ITEM, INCIDENTAL TO CONSTRUCTION OF STORM SEWER.



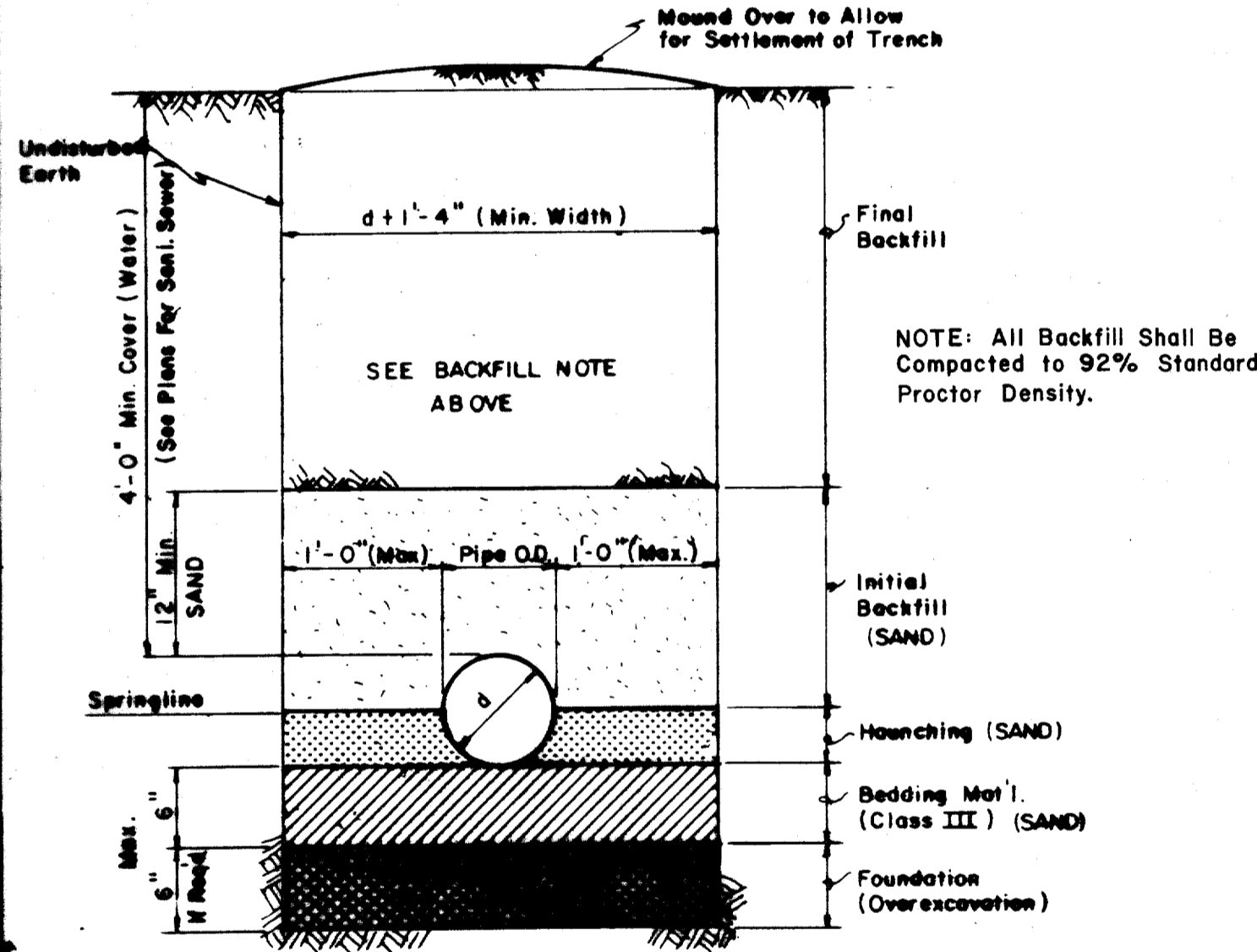
**FIRE HYDRANT RELOCATION DETAIL**



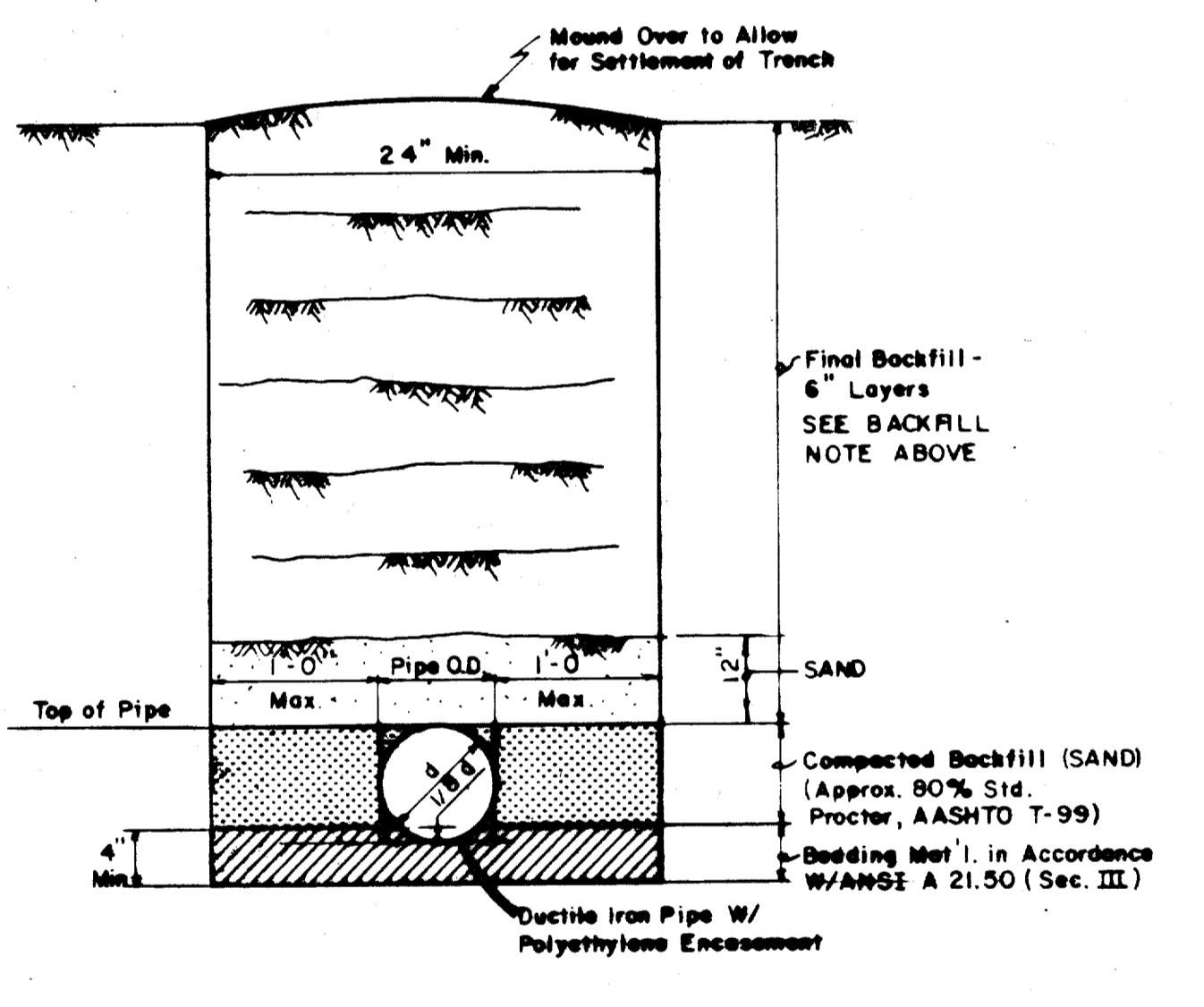
**FIRE HYDRANT INSTALLATION**  
(Includes 6" Valve)



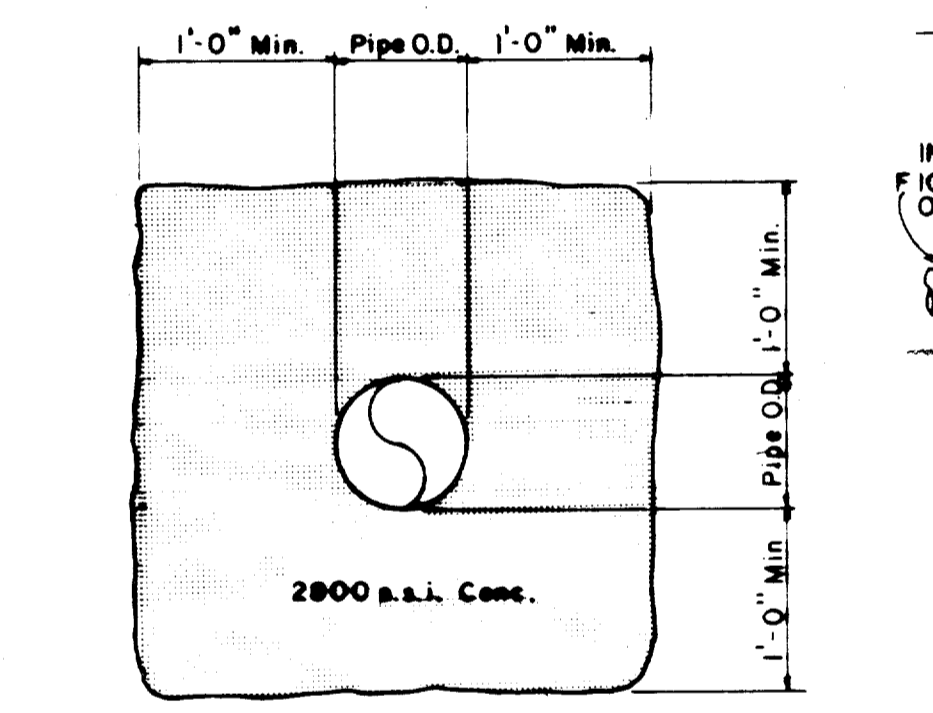
**TYPICAL MANHOLE DETAILS**



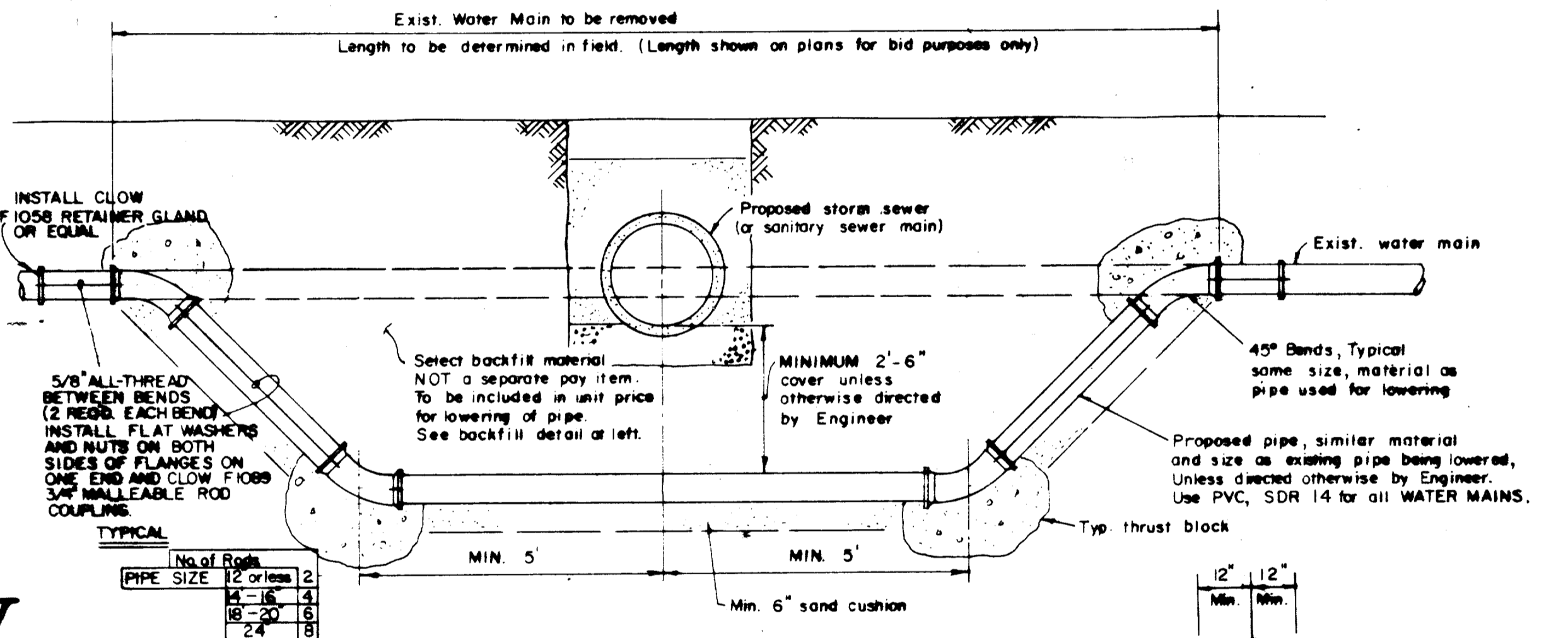
**TYP. BACKFILL DETAIL (P.V.C.)**



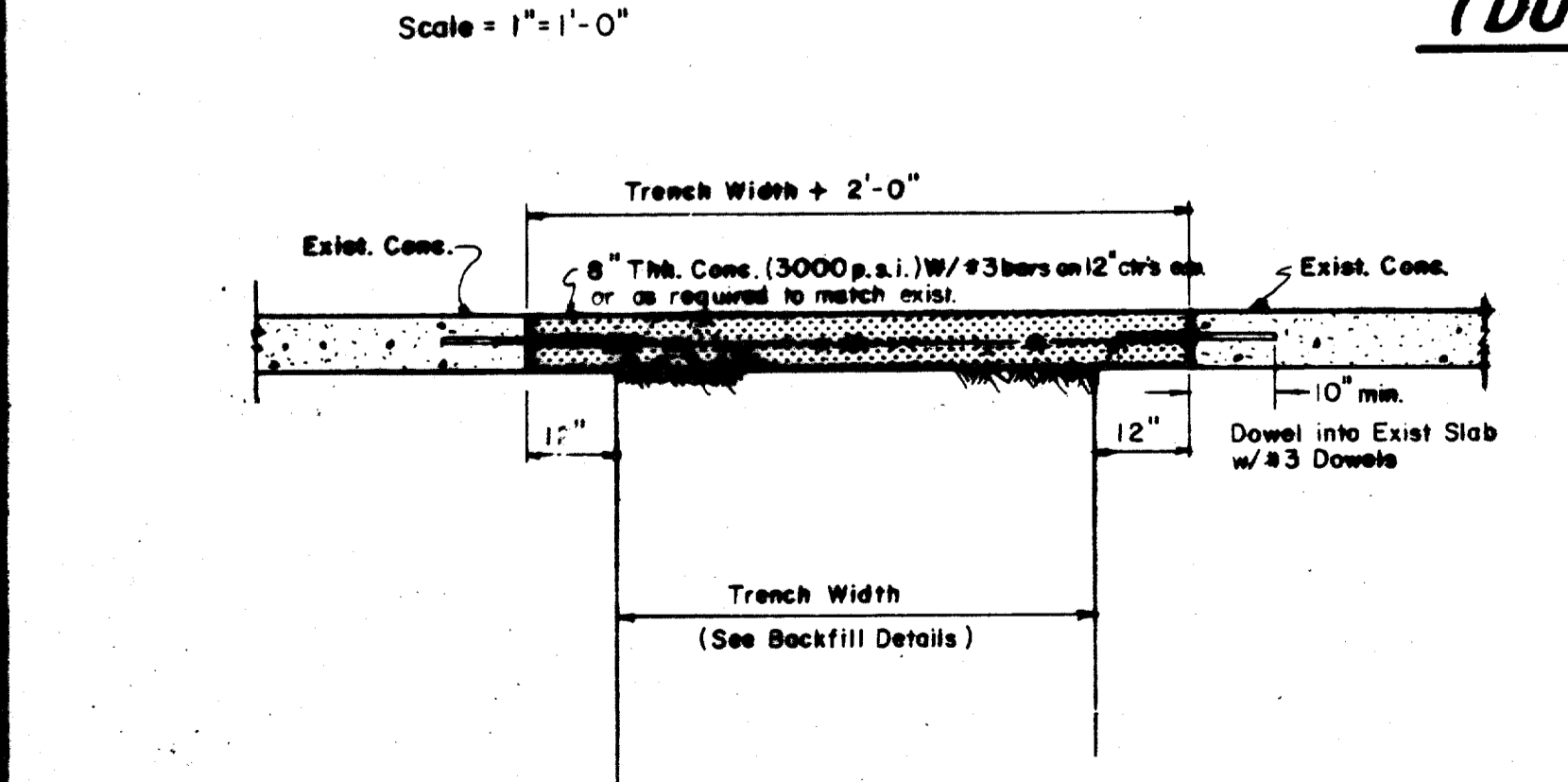
**TYP. BACKFILL DETAIL (DUCTILE IRON PIPE)**



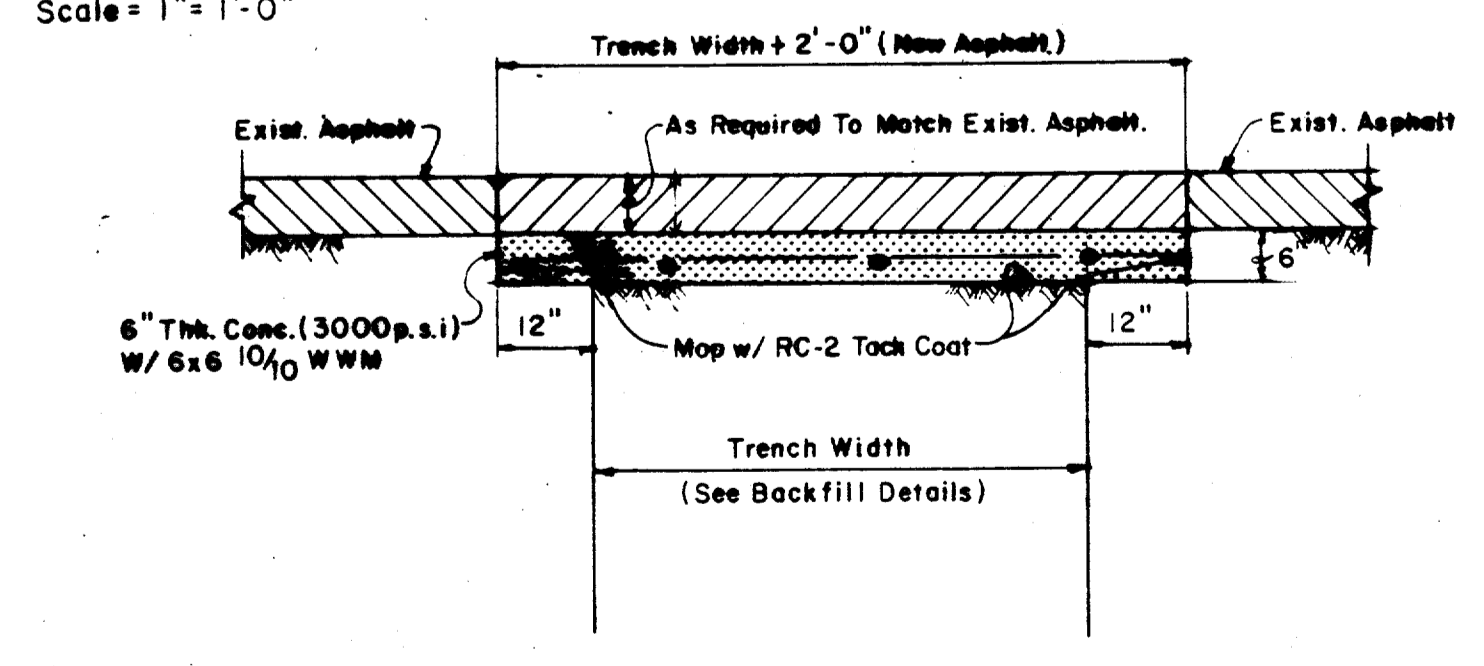
**TYP. CONC. ENCASEMENT**



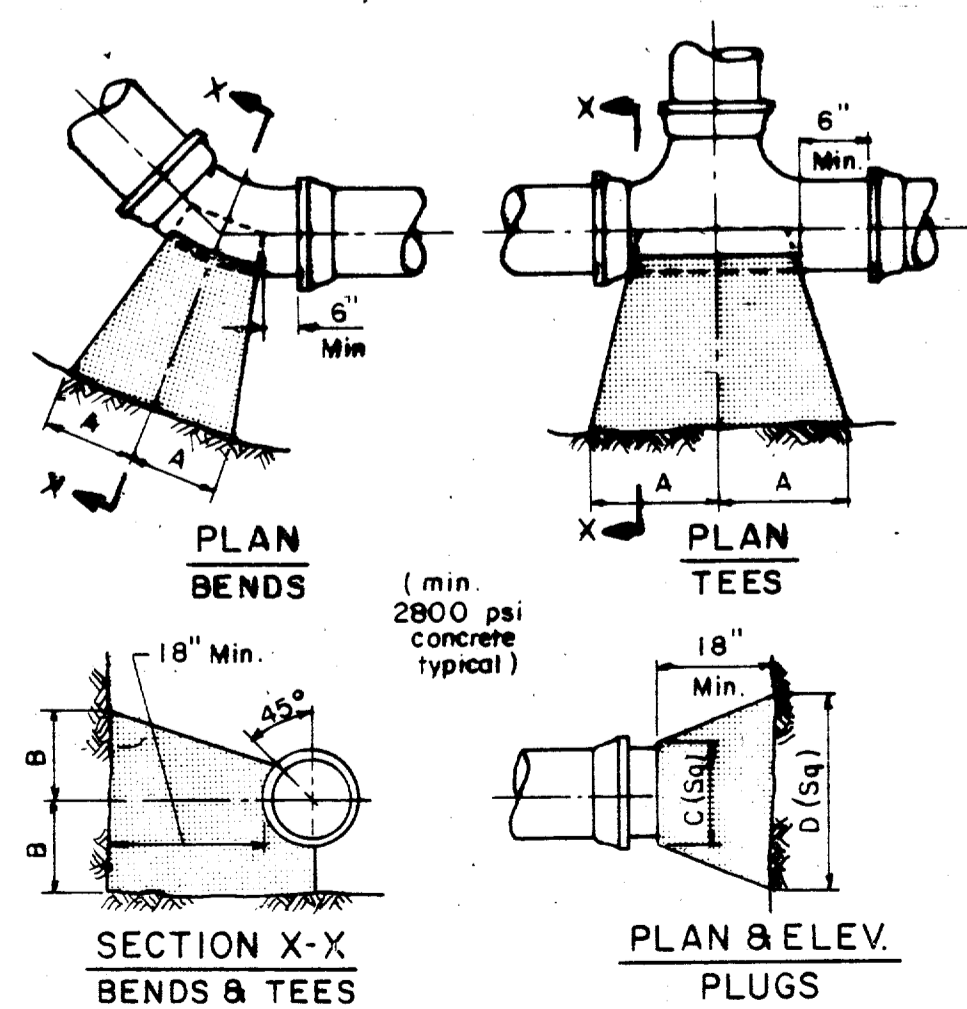
**TYPICAL "LOWERING" DETAIL**



**TYP. CONC. PAVEMENT REPLACEMENT DETAIL**

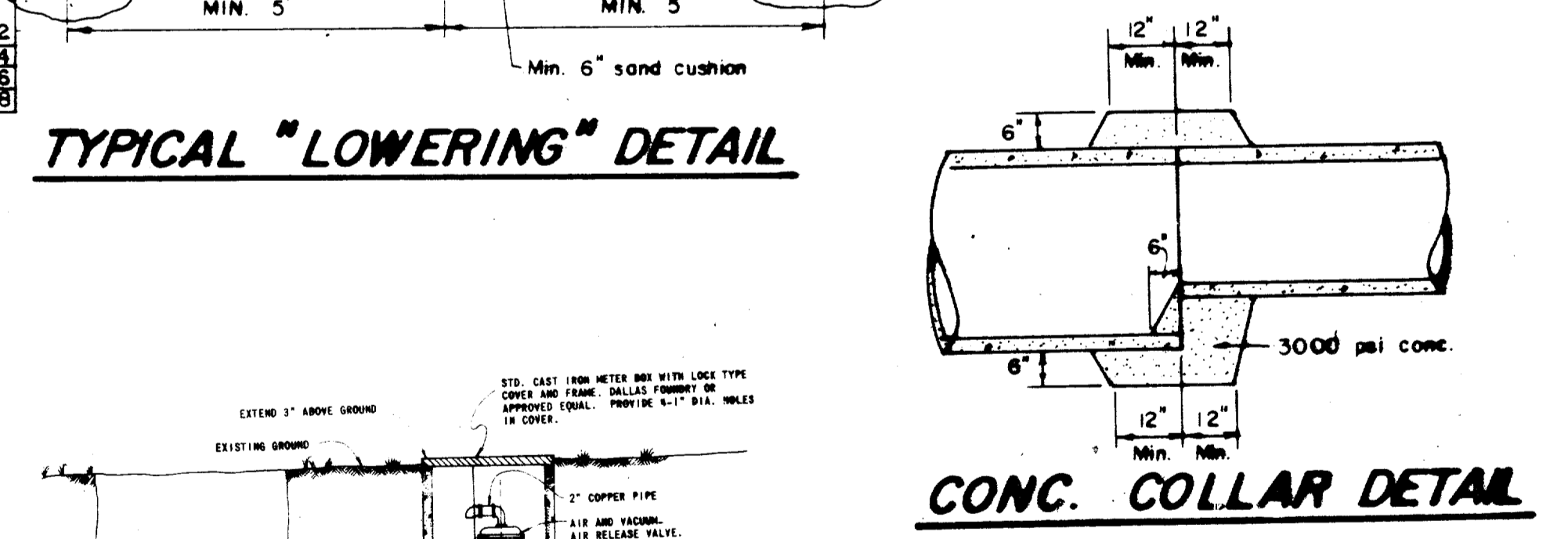


**TYP. ASPHALT PAVEMENT REPLACEMENT DETAIL**

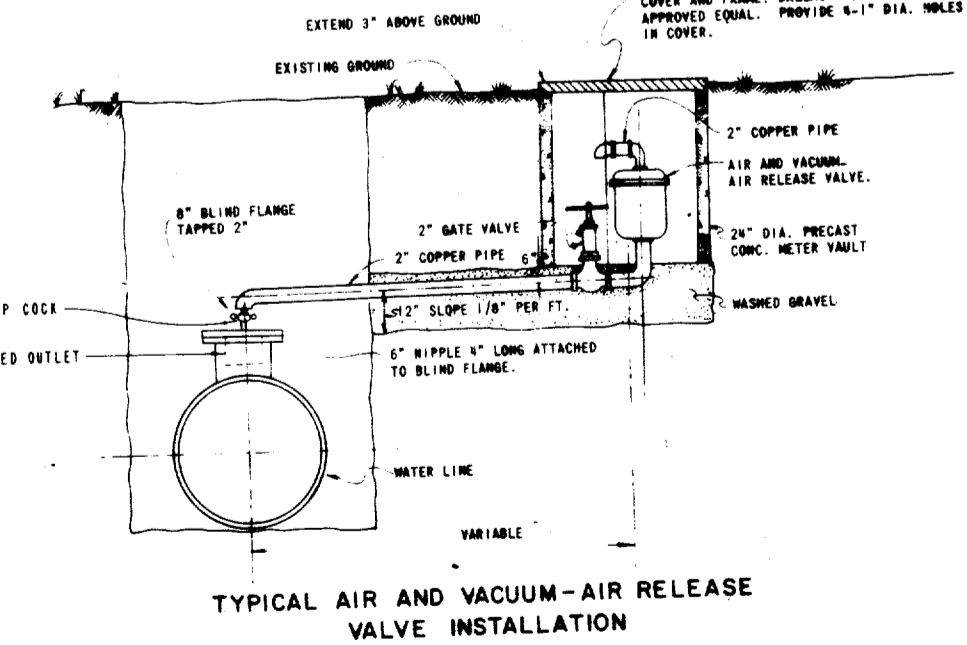


**PLAN & ELEV. PLUGS**

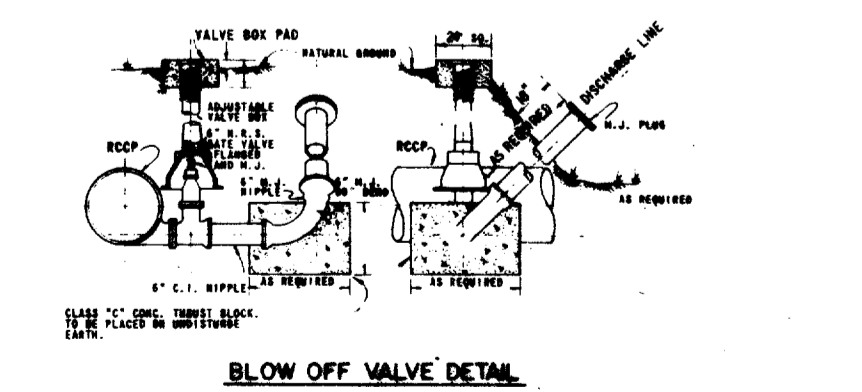
SOIL SIZE	1/2 BEND		1/4 BEND		TEE		PLUG		
	A	B	A	B	A	B	C	D	
4000 PSF	8"	12"	8"	10"	5"	9"	9"	12"	20"
2000 PSF	8"	22"	13"	13"	8"	10"	13"	16"	29"



**CONC. COLLAR DETAIL**



**"AS BUILT"**



**BLOW OFF VALVE DETAIL**

CITY OF ADDISON  
DALLAS COUNTY, TEXAS  
QUORUM DRIVE

MISC. DETAILS

GINN, INC.  
Consulting Engineers - Dallas, Texas

DESIGNED-W.K. DRAWN-S.M.M. DATE- MAY, 1984 JOB NO. J-203  
APPROVED-H.W.G. CHECKED-G.F. SCALE- AS SHOWN SHEET 37 OF 38