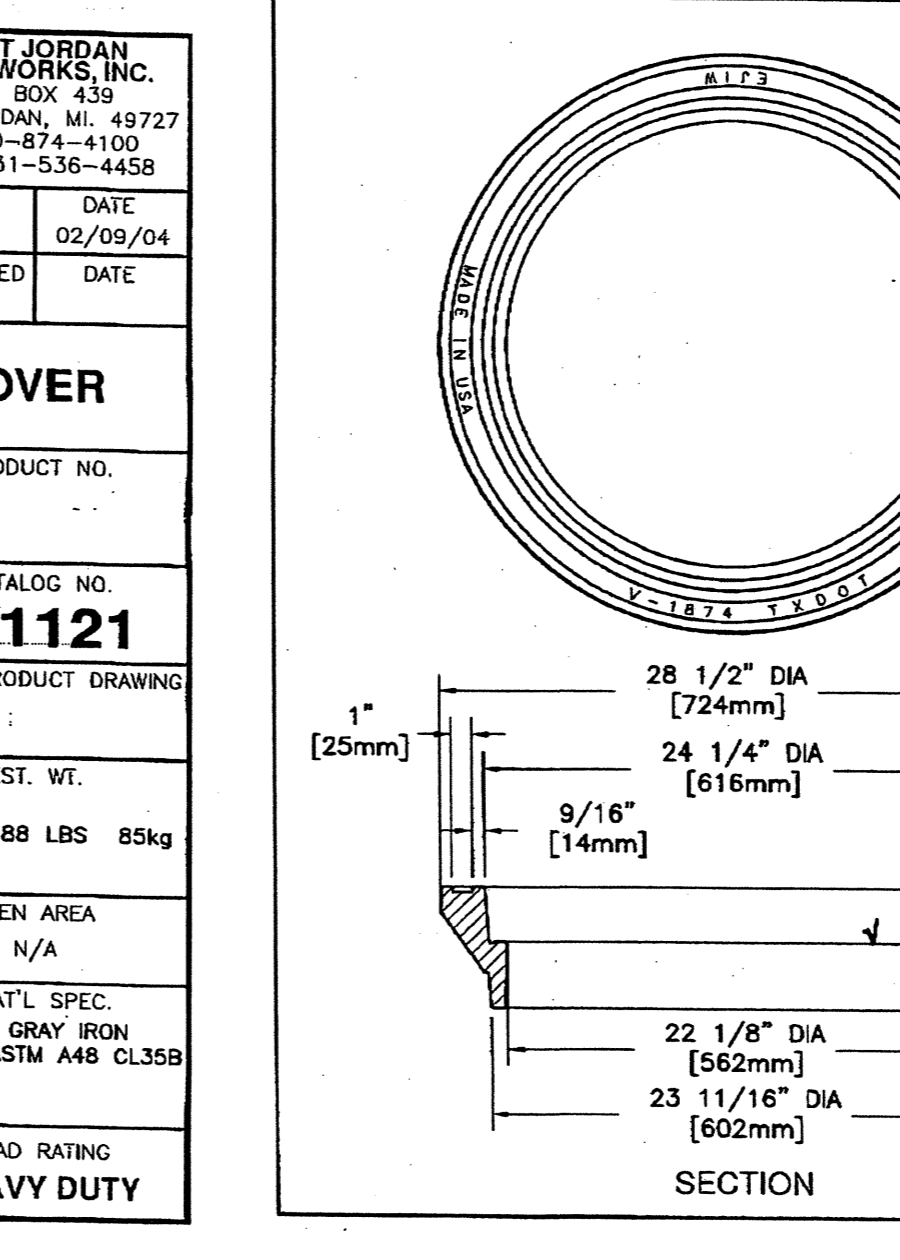
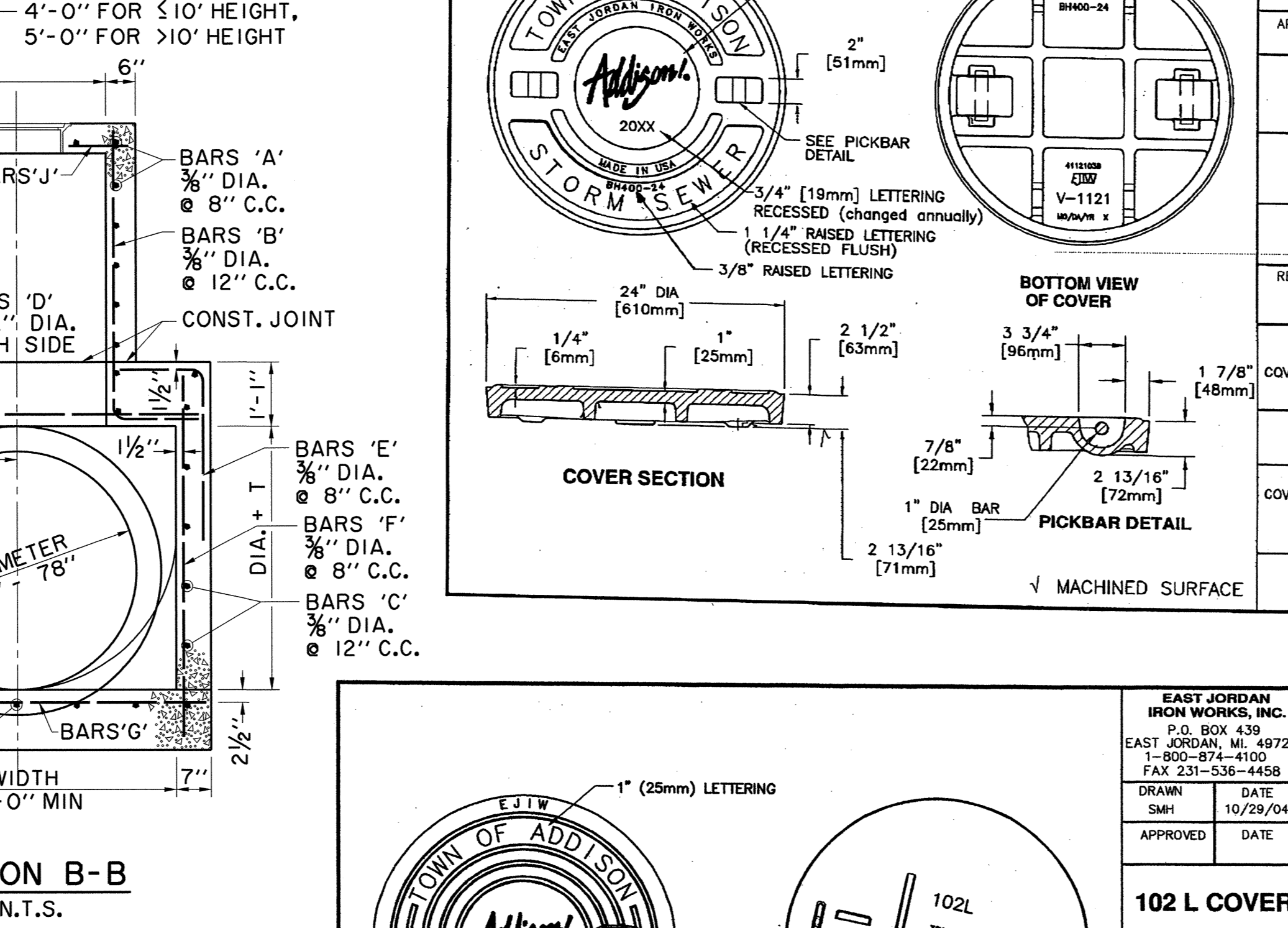
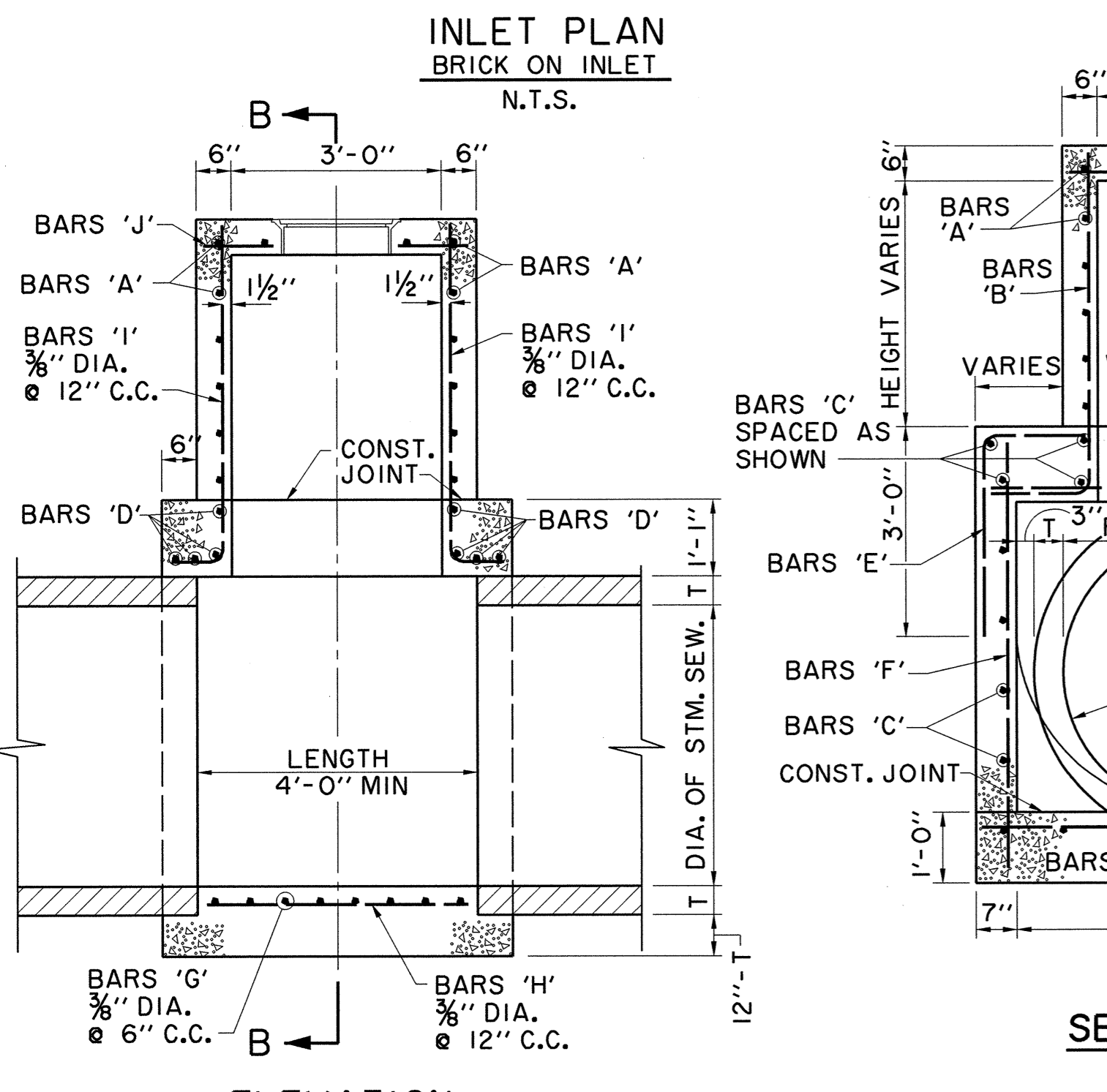
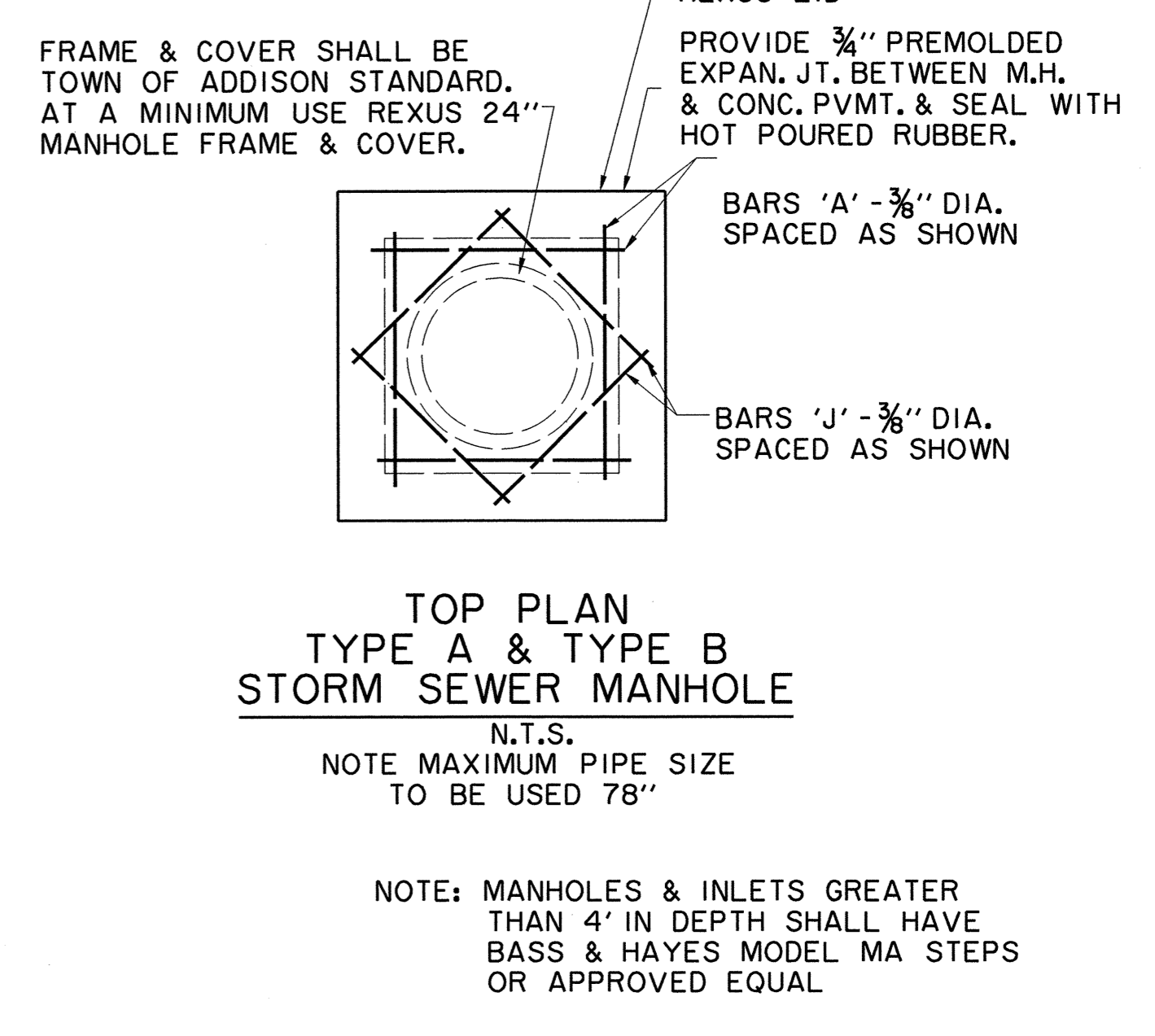
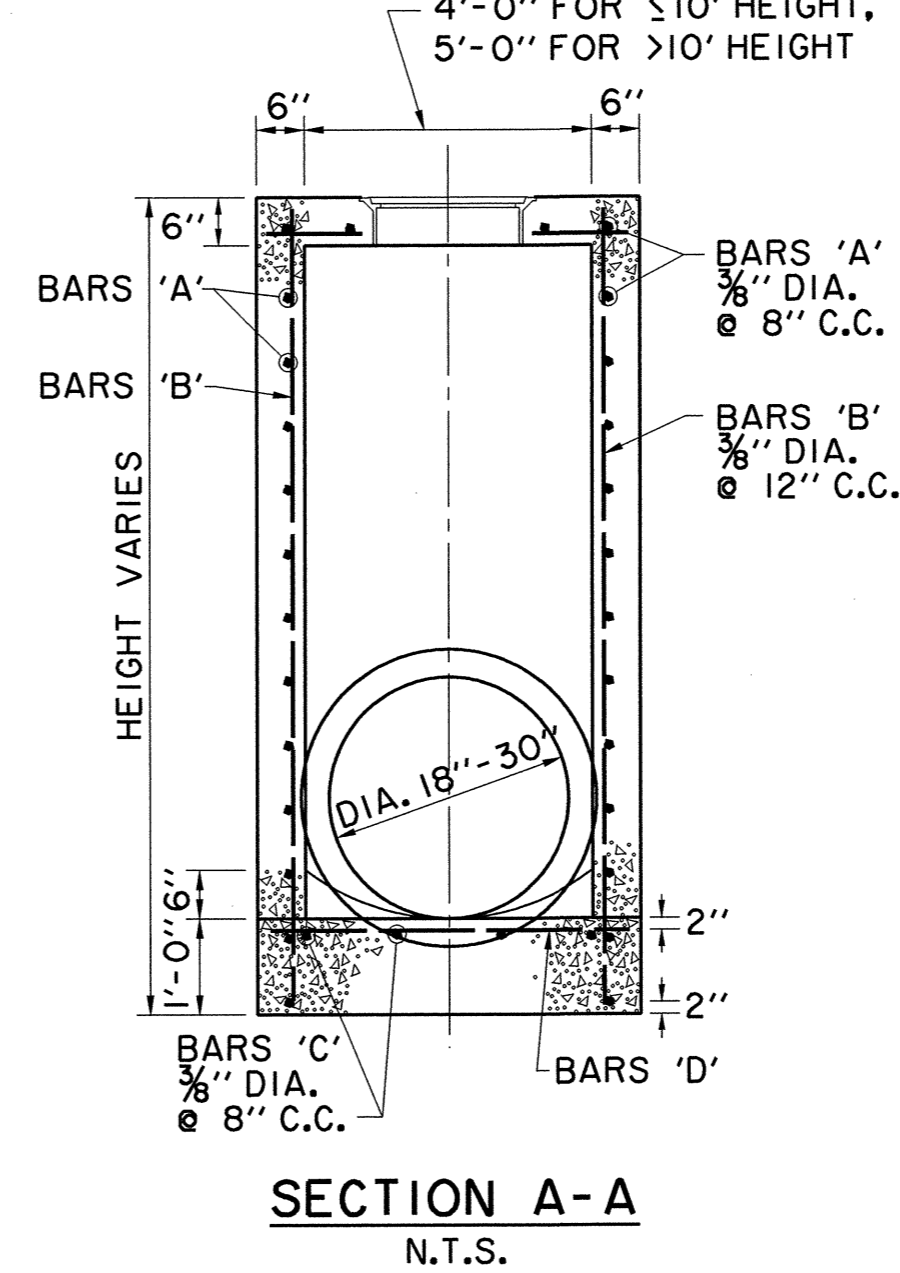
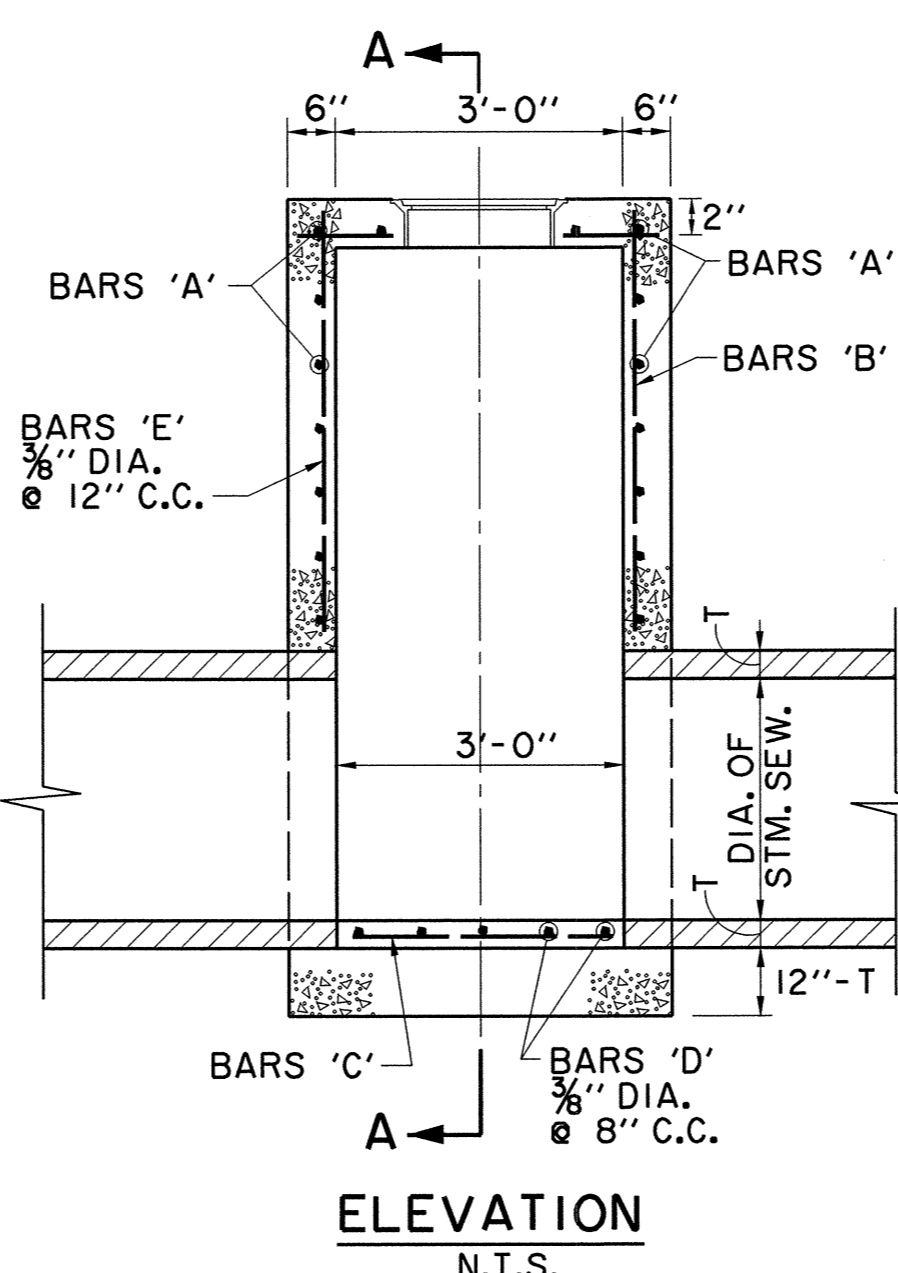
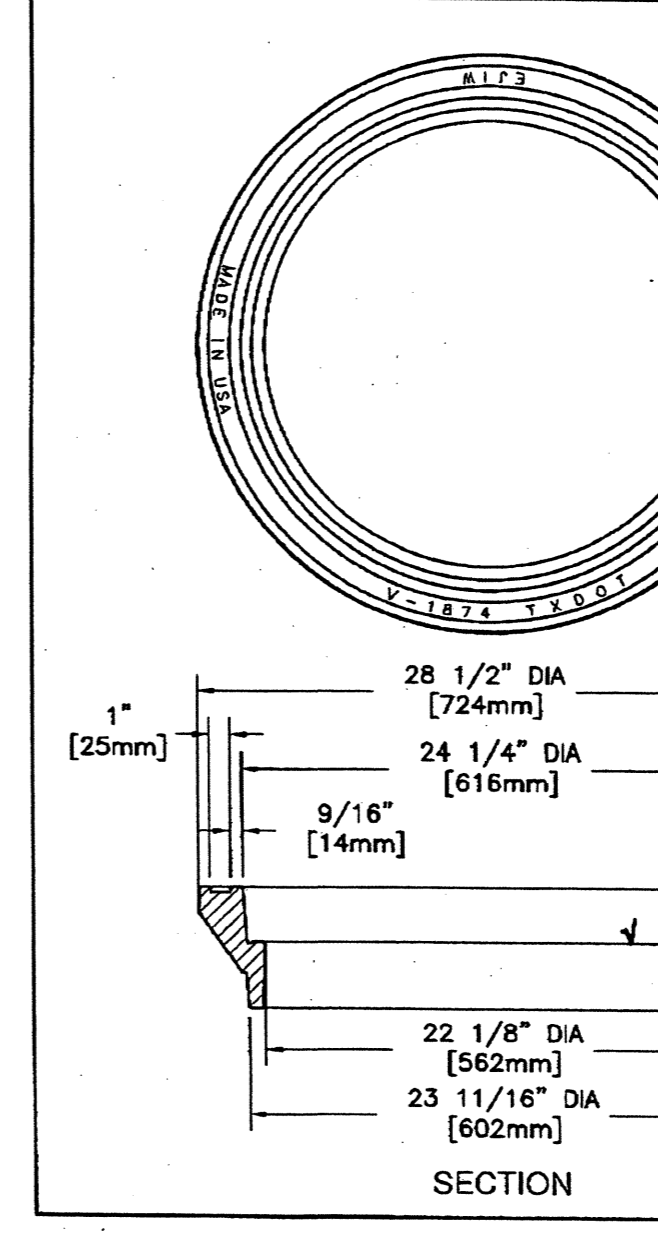


NOTE: BAR DESIGNATIONS AND DIMENSIONS ARE DIFFERENT FROM STEEL SCHEDULE FOR REGULAR INLETS.



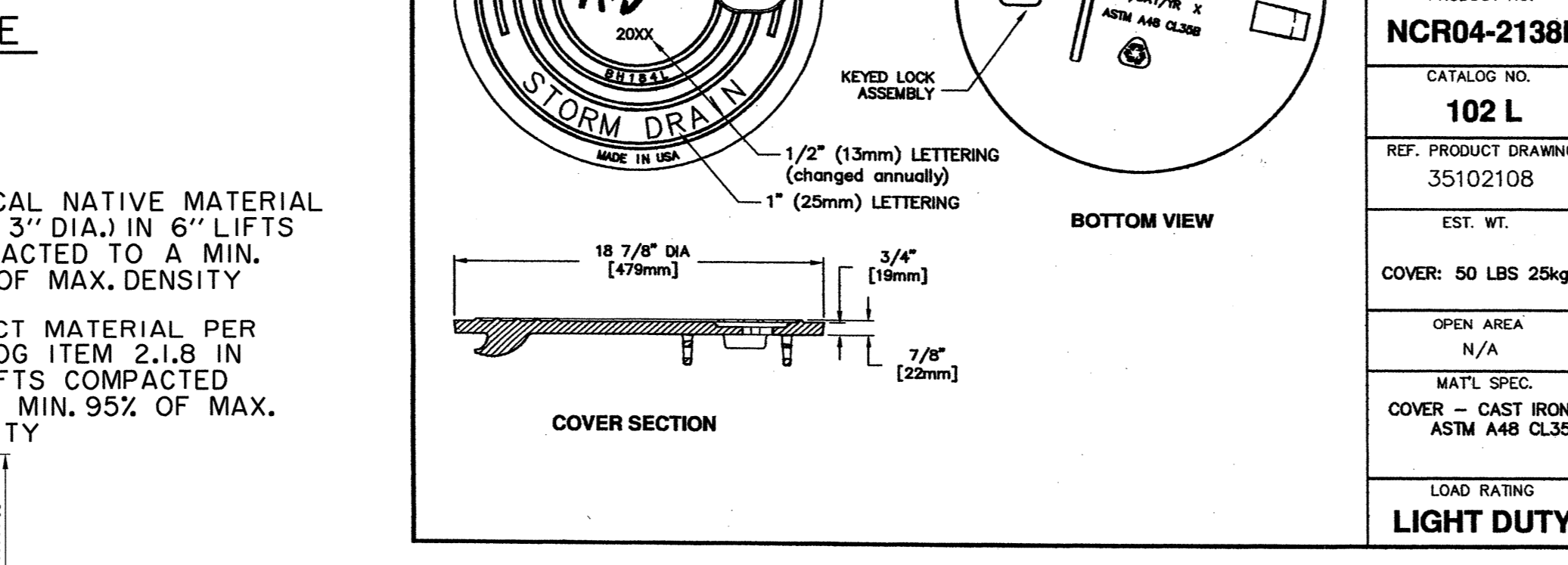
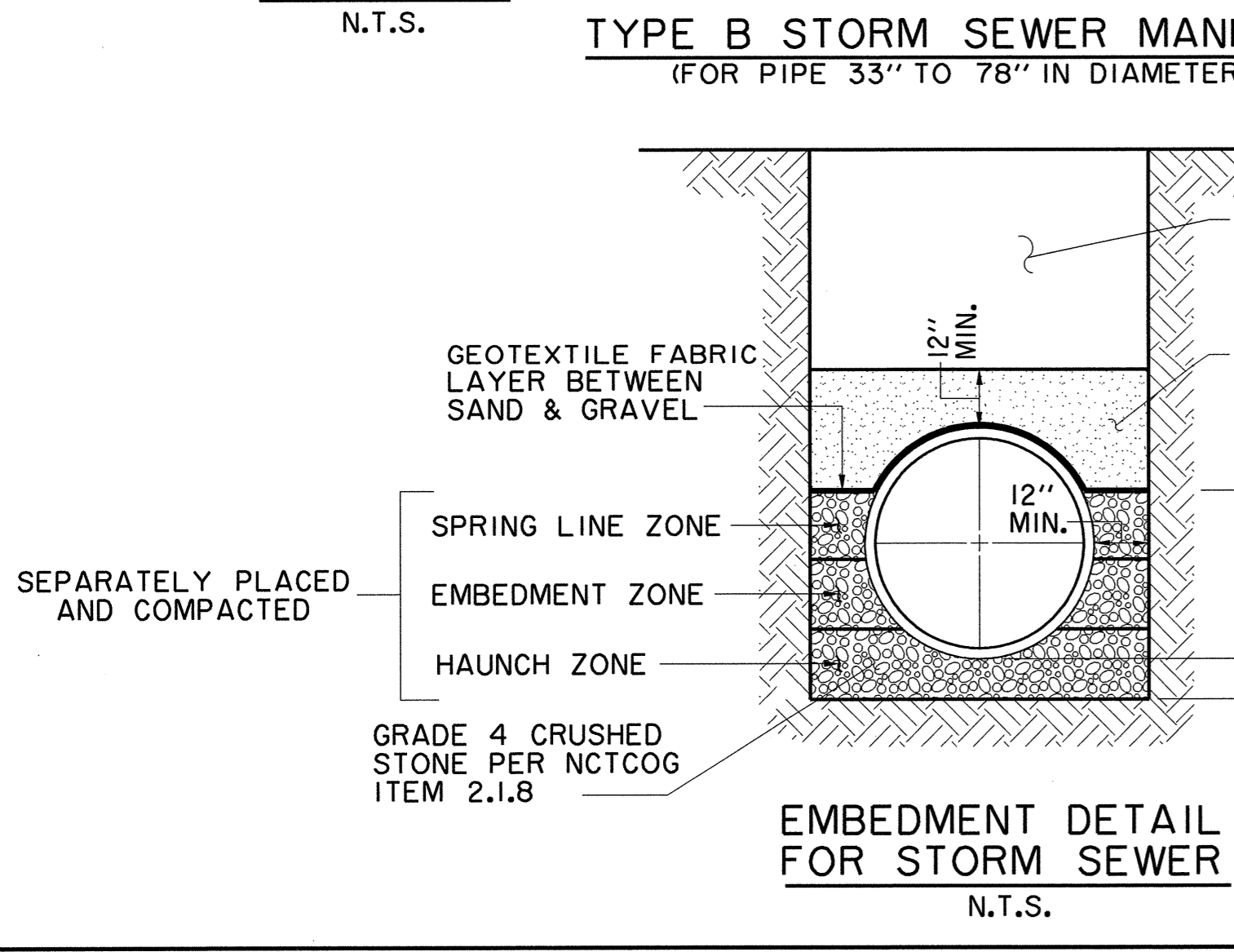
EAST JORDAN IRON WORKS, INC.
P.O. BOX 439
EAST JORDAN, MI. 49727
1-800-874-4100
FAX: 231-536-4458

COVER
PRODUCT NO. V-1121
CATALOG NO. V-1121
REF. PRODUCT DRAWING V-1121
EST. WT. COVER: 188 LBS 85kg
OPEN AREA N/A
MAT'L SPEC. COVER - GRAY IRON ASTM A48 CL35B
LOAD RATING HEAVY DUTY



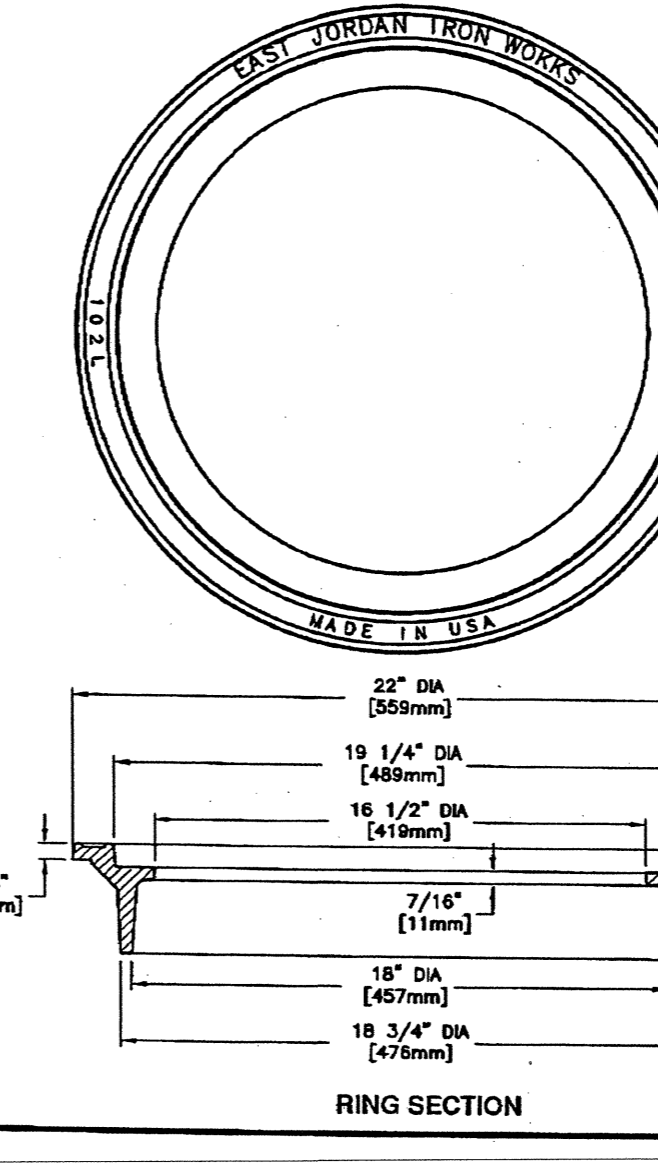
EAST JORDAN IRON WORKS, INC.
P.O. BOX 439
EAST JORDAN, MI. 49727
1-800-874-4100
FAX: 231-536-4458

MANHOLE FRAME
PRODUCT NO. 41874010
CATALOG NO. V-1874
REF. PRODUCT DRAWING 41874010
EST. WT. RING: 185 LBS 84kg
OPEN AREA N/A
MAT'L SPEC. RING - GRAY IRON ASTM A48 CL35
LOAD RATING HEAVY DUTY



EAST JORDAN IRON WORKS, INC.
P.O. BOX 439
EAST JORDAN, MI. 49727
1-800-874-4100
FAX: 231-536-4458

102 L COVER
PRODUCT NO. NCR04-2138B
CATALOG NO. 102 L
REF. PRODUCT DRAWING 35102108
EST. WT. COVER: 50 LBS 25kg
OPEN AREA N/A
MAT'L SPEC. COVER - CAST IRON ASTM A48 CL35B
LOAD RATING LIGHT DUTY



EAST JORDAN IRON WORKS, INC.
P.O. BOX 439
EAST JORDAN, MI. 49727
1-800-874-4100
FAX: 231-536-4458

102 L INLET RING
PRODUCT NO. 35202000
CATALOG NO. 102 L
REF. PRODUCT DRAWING 35202000
EST. WT. FRAME: 50 LBS 23kg
OPEN AREA N/A
MAT'L SPEC. RING - GRAY IRON ASTM A48 CL35
LOAD RATING HEAVY DUTY

RECORD DRAWING
THIS DRAWING HAS BEEN MODIFIED FROM THE ORIGINAL TO SHOW ONLY THE FIELD CHANGES AND ADJUSTMENTS MADE DURING CONSTRUCTION BY THE CONTRACTOR WHICH WERE DOCUMENTED AND FURNISHED TO THE ENGINEER FOR THE PURPOSE OF PREPARING THESE RECORD DRAWINGS. FIELD INSPECTION OF CONSTRUCTION WAS PERFORMED BY OTHERS. TO THE BEST OF OUR KNOWLEDGE AND UNDERSTANDING THESE RECORD DRAWINGS REPRESENT THE 'AS-BUILT' CONDITIONS.



STORM WATER DETAILS		QUORUM DRIVE		TOWN OF ADDISON, TEXAS	
DESIGN	CHECKED	APPR.	SCALE	DATE	PROJECT NO.
HZI	HZI		N.T.S.	01/15/09	
					NO.
					C13

NOTE:
ALL INLET & MANHOLE WALLS SHALL BE FORMED. POURING AGAINST EXPOSED EARTH WILL NOT BE PERMITTED.

NO. OF REVISIONS, NO. OF REVISED SHEETS, NO. OF REVISED DETAIL SHEETS, NO. OF REVISED SECTION SHEETS, NO. OF REVISED COVER SHEETS, NO. OF REVISED TITLES, NO. OF REVISED INDEXES, NO. OF REVISED NOTES, NO. OF REVISED DIMENSIONS, NO. OF REVISED DIMENSION LINES, NO. OF REVISED DIMENSION VALUES, NO. OF REVISED DIMENSION TOLERANCES, NO. OF REVISED DIMENSION SURFACES, NO. OF REVISED DIMENSION SURFACE FINISHES, NO. OF REVISED DIMENSION SURFACE TEXTURES, NO. OF REVISED DIMENSION SURFACE PATTERNS, NO. OF REVISED DIMENSION SURFACE SHADINGS, NO. OF REVISED DIMENSION SURFACE COLORS, NO. OF REVISED DIMENSION SURFACE MATERIALS, NO. OF REVISED DIMENSION SURFACE FINISHES, NO. OF REVISED DIMENSION SURFACE TEXTURES, NO. OF REVISED DIMENSION SURFACE PATTERNS, NO. OF REVISED DIMENSION SURFACE SHADINGS, NO. OF REVISED DIMENSION SURFACE COLORS, NO. OF REVISED DIMENSION SURFACE MATERIALS.