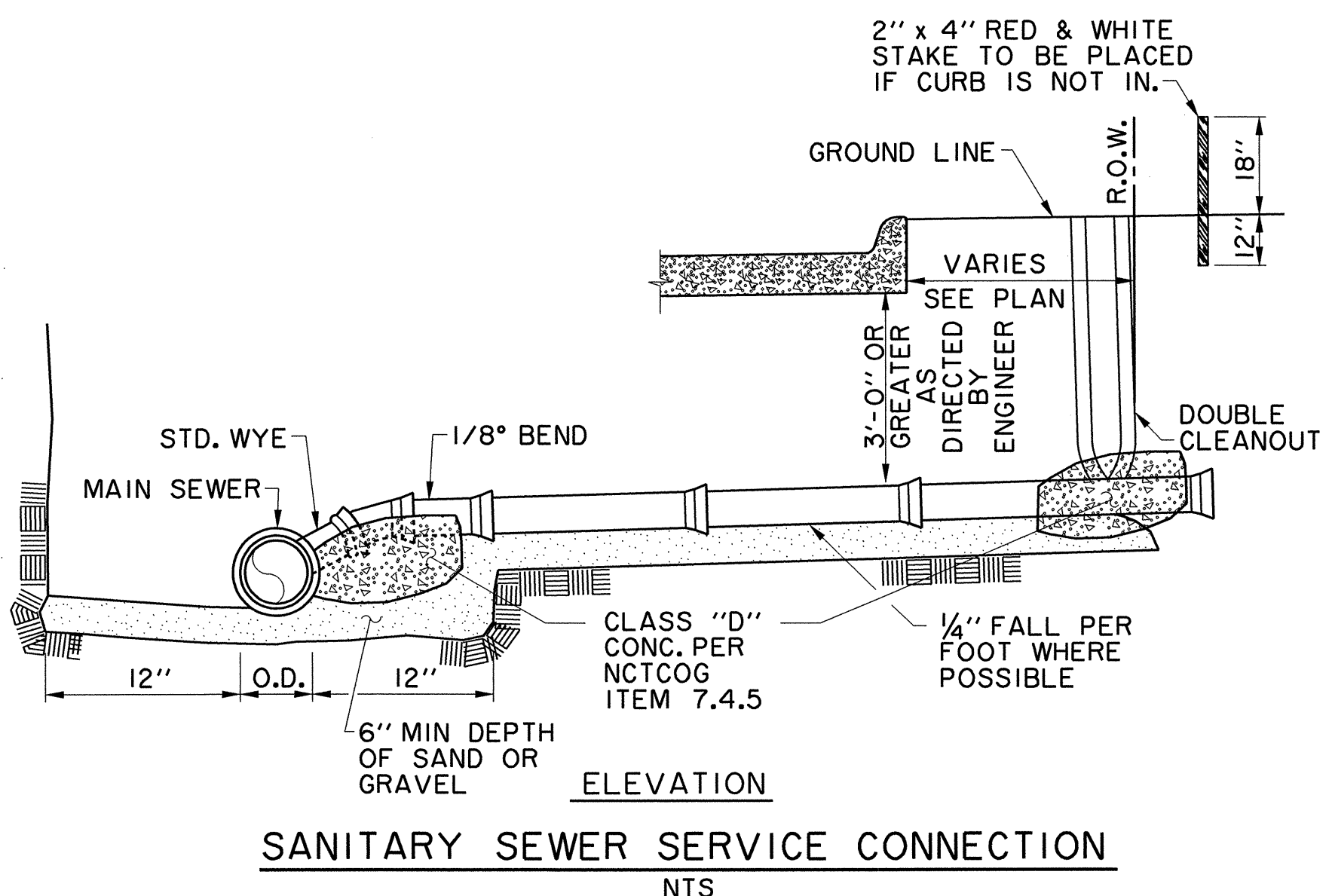
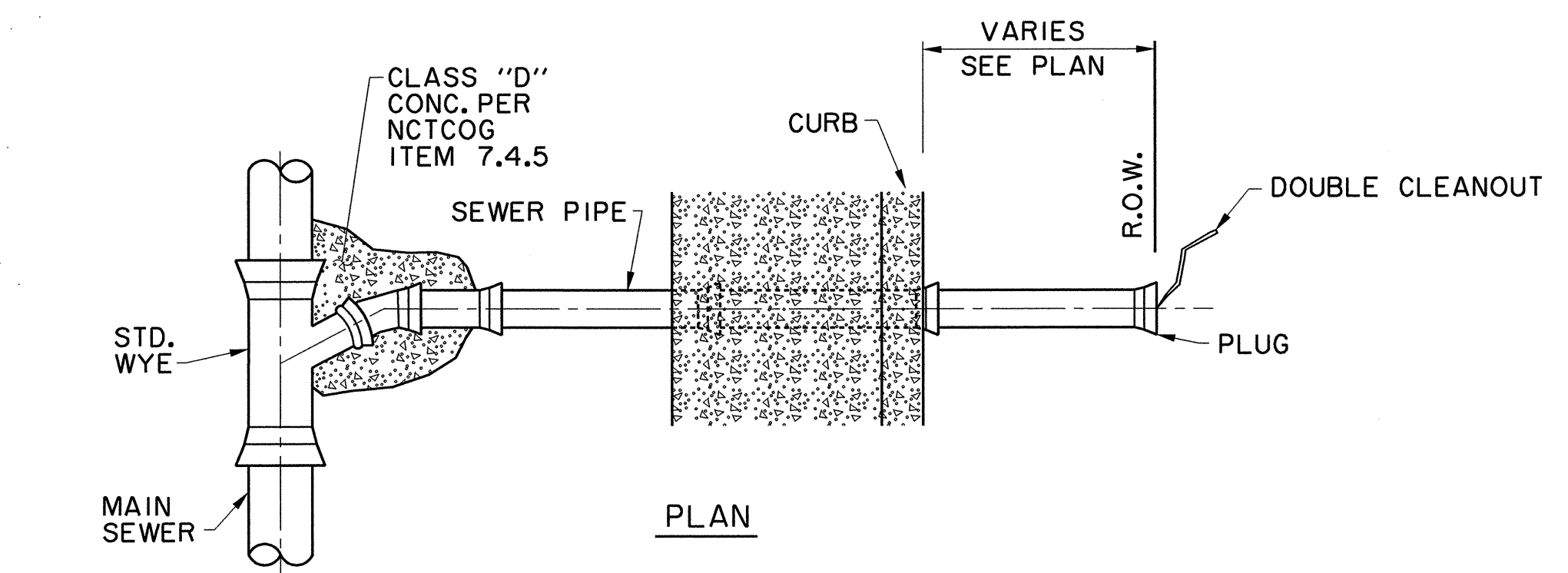
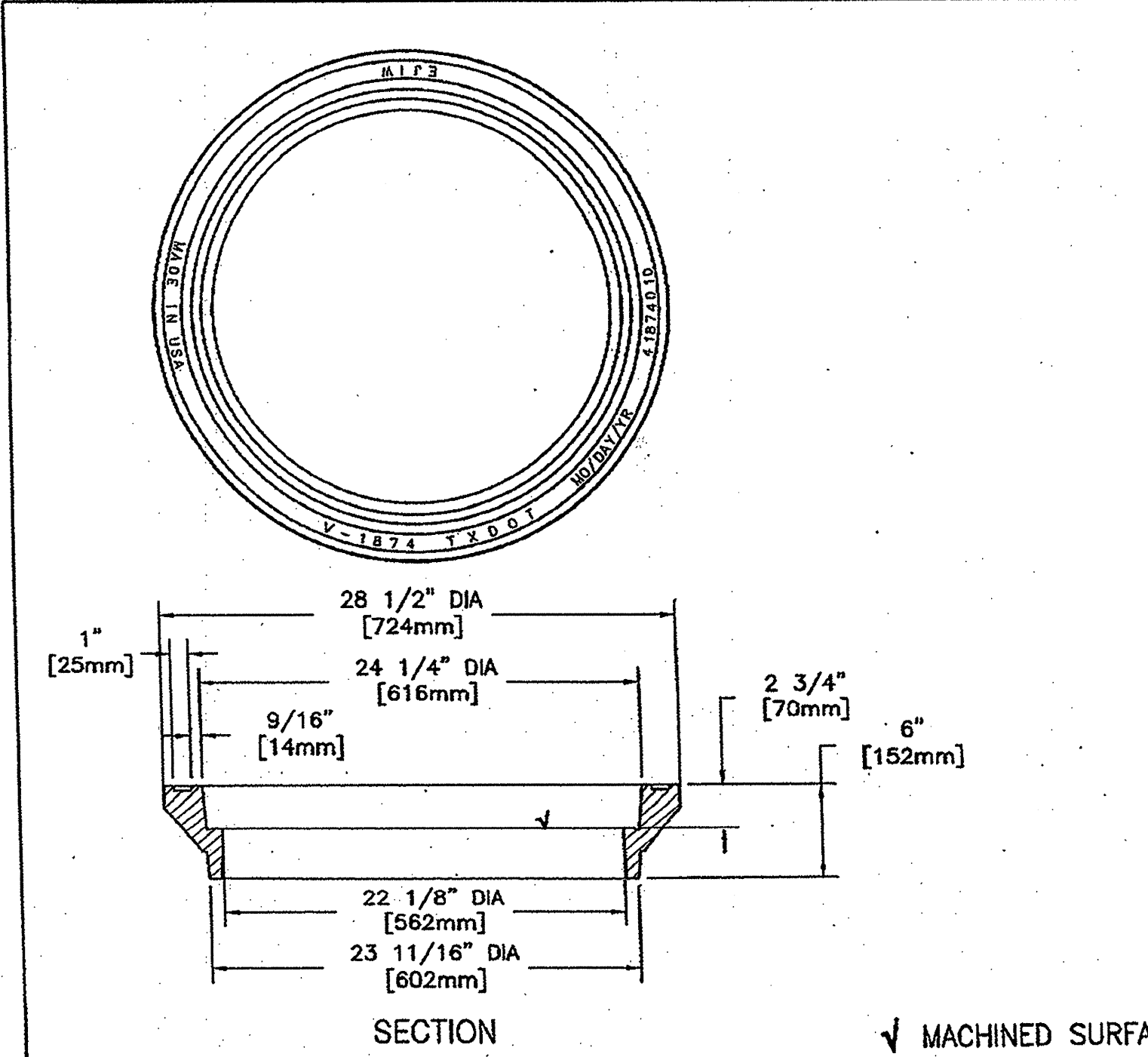
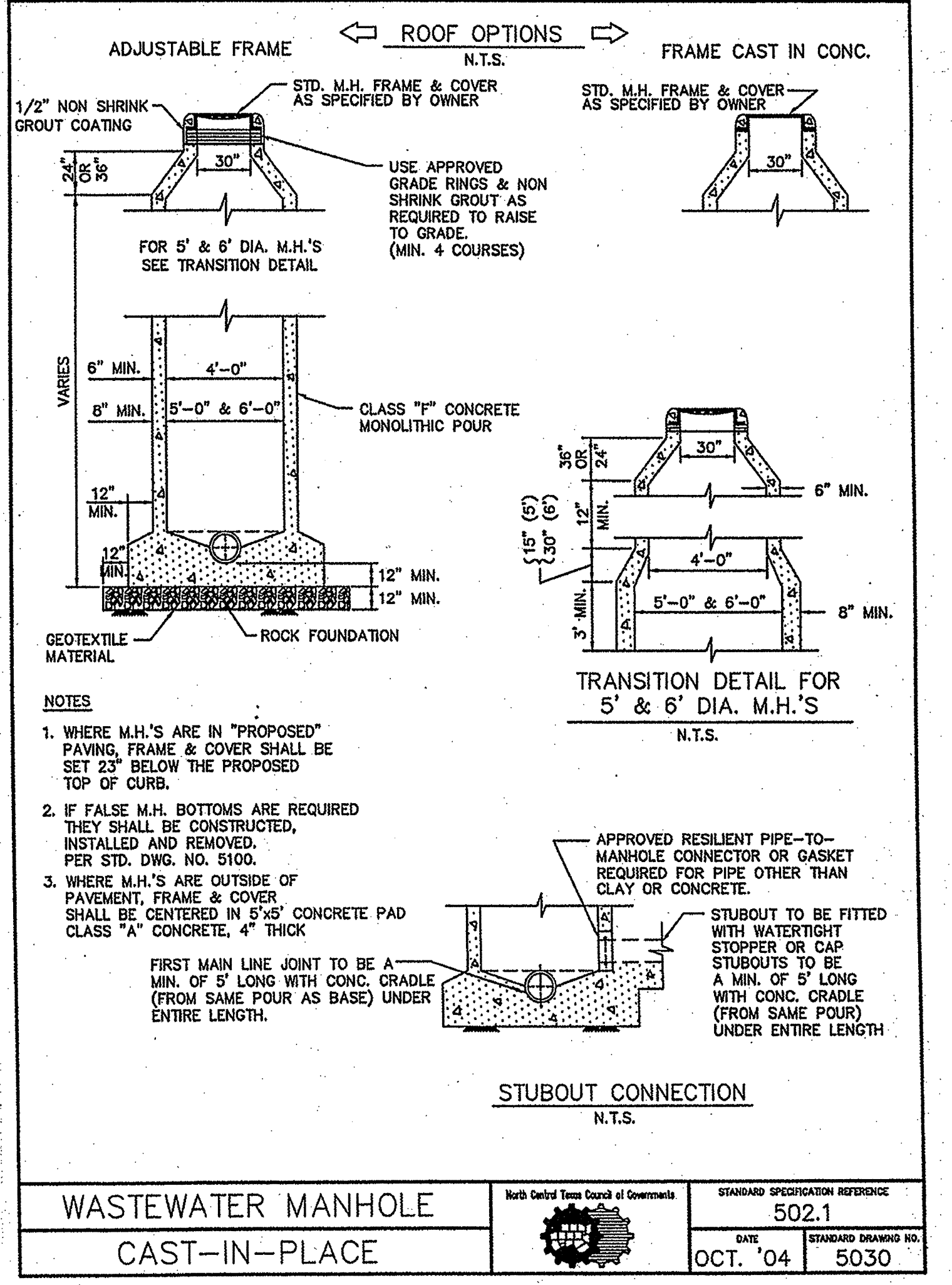
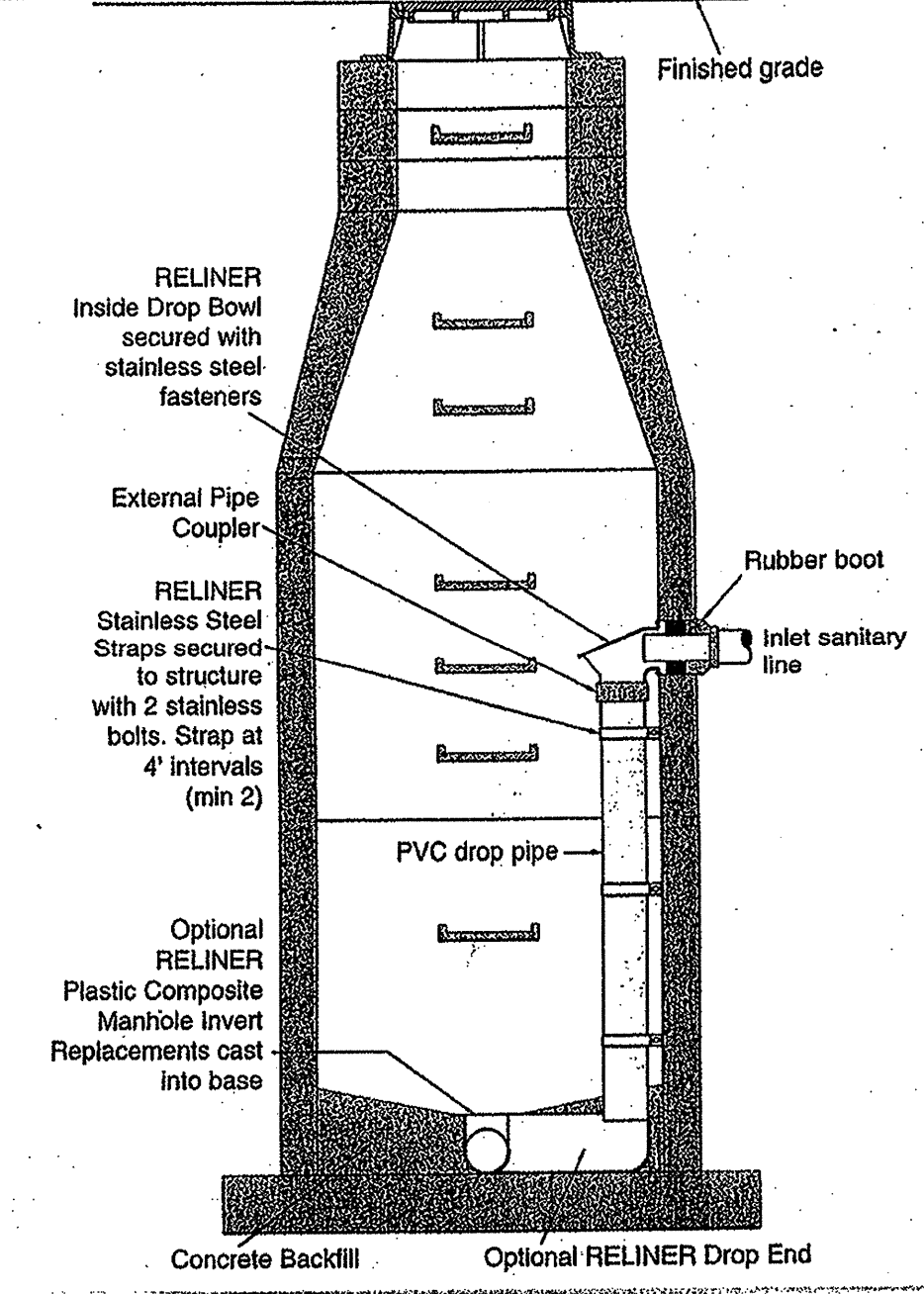


EAST JORDAN IRON WORKS, INC. P.O. BOX 439 EAST JORDAN, MI. 49727 1-800-874-4100 FAX: 231-536-4458	
DRAWN SMH	DATE 02/09/04
APPROVED	DATE
COVER	
PRODUCT NO.	41121038
CATALOG NO.	V-1121
REF. PRODUCT DRAWING	41121038
EST. WT.	COVER: 188 LBS 85kg
OPEN AREA	N/A
MAT'L SPEC.	COVER - GRAY IRON ASTM A48 CL35B
LOAD RATING	HEAVY DUTY

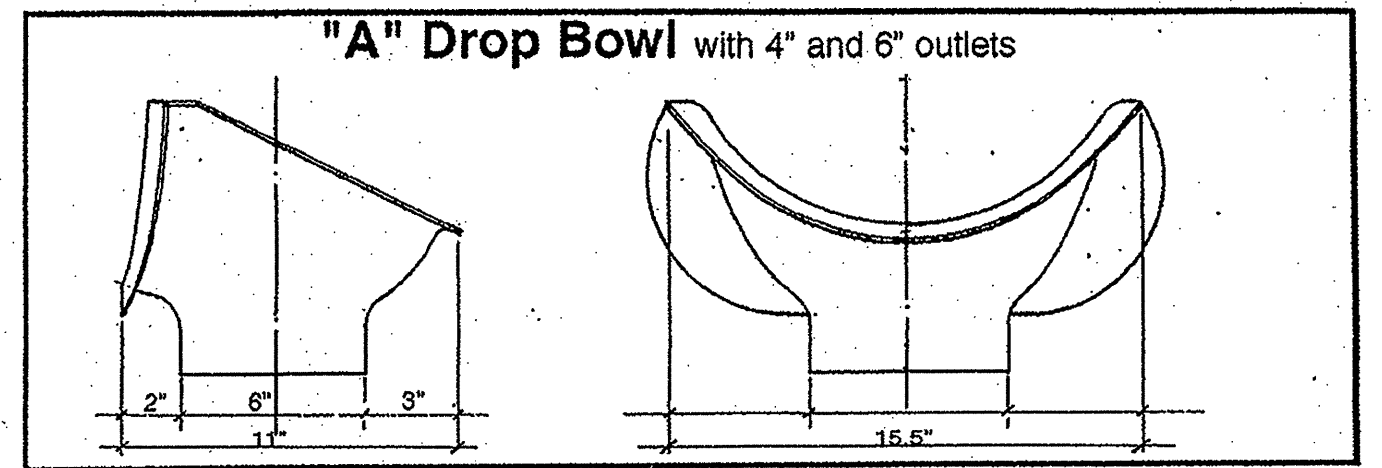


INSIDE DROP SYSTEM by RELINER® / Duran Inc.
U.S. Patents # 6074130 and 5553973. Add. Patents Pending
STOP ENTERING YOUR MANHOLES FOR ROUTINE INSPECTION & CLEANING OF INSIDE DROPS

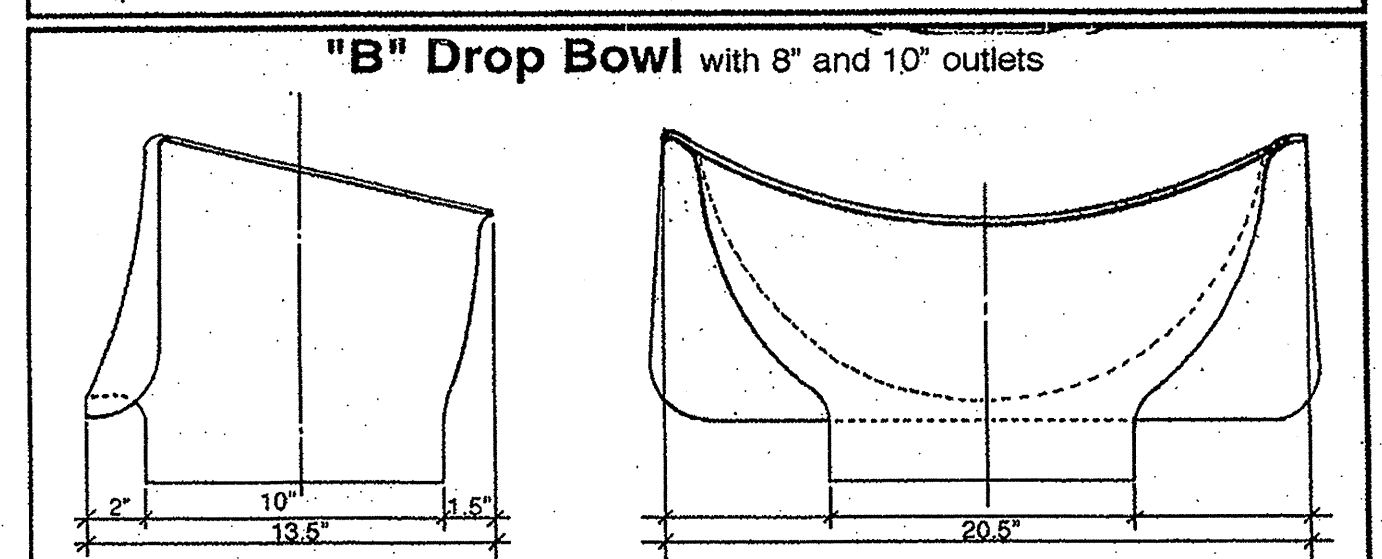
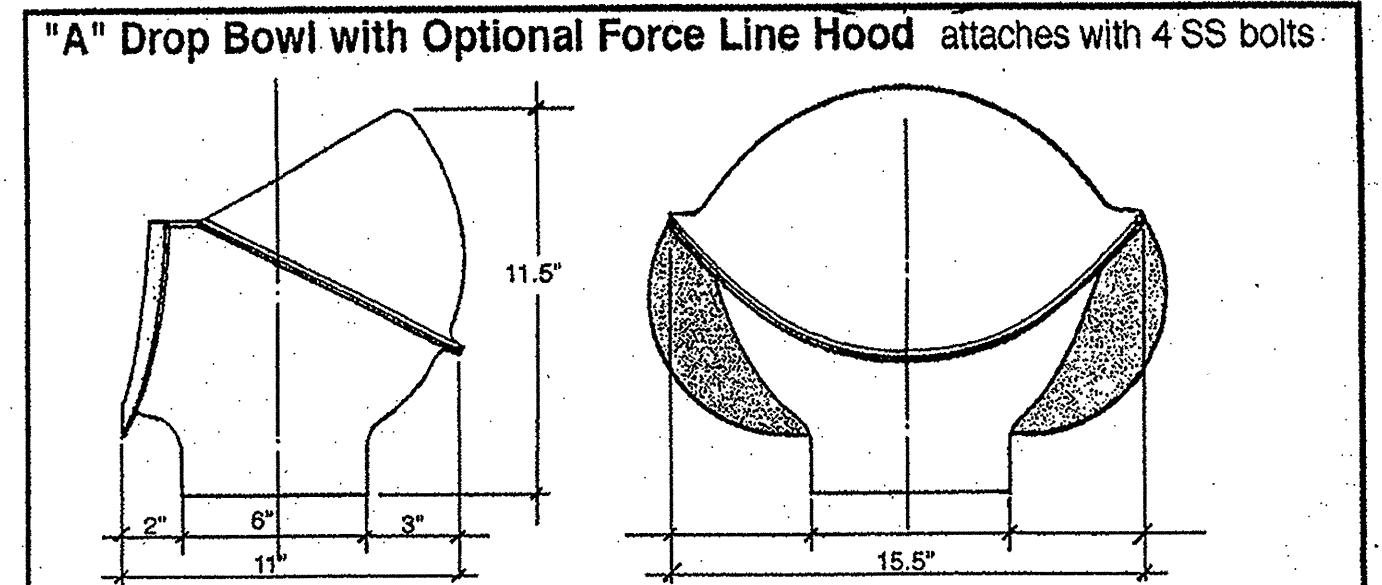


EAST JORDAN IRON WORKS, INC. P.O. BOX 439 EAST JORDAN, MI. 49727 1-800-874-4100 FAX 231-536-4458	
DRAWN SBB	DATE 08/21/01
APPROVED	DATE
MANHOLE FRAME	
PRODUCT NO.	41874010
CATALOG NO.	V-1874
REF. PRODUCT DRAWING	41874010
EST. WT.	RING: 185 LBS 84kg
OPEN AREA	N/A
MAT'L SPEC.	RING - GRAY IRON ASTM A48 CL35
LOAD RATING	HEAVY DUTY

DROP BOWLS
Sanitary Manhole Inside Drop Bowl
U.S. Patent # 6074130, Add. Patents Pending
Manufactured by:
Reliner - Duran Inc.
53 Mt. Archer Rd. Lyme CT 06371
800-504-8008, 860-434-3195(fax)

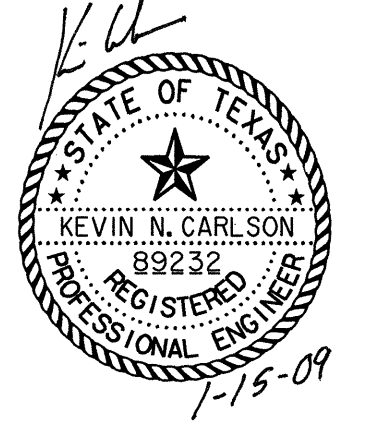


The "A-4" bowl will service up through full 6" inlets. The "A-6" bowl will service up through full 8" inlets. Can be used for 10" and 12" inlet moderate flows. All sizes are for retrofit or new construction--fabricated in marine grade fiberglass and finished in bright white gel coat. Larger sizes and flat wall configurations also available.



The "B-8" bowl will service up through full 10" inlets. The "B-10" bowl will service up through full 12" inlets. Can be used for 15" and 16" inlet moderate flows. Hood avail.

RECORD DRAWING
THIS DRAWING HAS BEEN MODIFIED FROM THE ORIGINAL TO SHOW ONLY THE FIELD CHANGES AND ADJUSTMENTS MADE DURING CONSTRUCTION BY THE CONTRACTOR WHICH WERE DOCUMENTED AND FURNISHED TO THE ENGINEER FOR THE PURPOSE OF PREPARING THESE RECORD DRAWINGS. FIELD INSPECTION OF CONSTRUCTION WAS PERFORMED BY OTHERS. TO THE BEST OF OUR KNOWLEDGE AND UNDERSTANDING THESE RECORD DRAWINGS REPRESENT THE "AS-BUILT" CONDITIONS.



WASTEWATER DETAILS						
QUORUM DRIVE						
TOWN OF ADDISON, TEXAS						
<small>HUTII - Zolfors, Inc. 3131 McKinney Ave., Suite 600, Dallas, TX 75204 Phone (214) 871-3311/Fax (214) 871-0757</small>						
DESIGN	CHECKED	APPR.	SCALE	DATE	PROJECT NO.	NO.
HZI	HZI		N.T.S.	01/15/09		C17

NO. OF REVISIONS
 1. REVISED FOR FIELD CHANGES AND ADJUSTMENTS MADE DURING CONSTRUCTION BY THE CONTRACTOR WHICH WERE DOCUMENTED AND FURNISHED TO THE ENGINEER FOR THE PURPOSE OF PREPARING THESE RECORD DRAWINGS. FIELD INSPECTION OF CONSTRUCTION WAS PERFORMED BY OTHERS. TO THE BEST OF OUR KNOWLEDGE AND UNDERSTANDING THESE RECORD DRAWINGS REPRESENT THE "AS-BUILT" CONDITIONS.
 2. REVISED FOR FIELD CHANGES AND ADJUSTMENTS MADE DURING CONSTRUCTION BY THE CONTRACTOR WHICH WERE DOCUMENTED AND FURNISHED TO THE ENGINEER FOR THE PURPOSE OF PREPARING THESE RECORD DRAWINGS. FIELD INSPECTION OF CONSTRUCTION WAS PERFORMED BY OTHERS. TO THE BEST OF OUR KNOWLEDGE AND UNDERSTANDING THESE RECORD DRAWINGS REPRESENT THE "AS-BUILT" CONDITIONS.
 3. REVISED FOR FIELD CHANGES AND ADJUSTMENTS MADE DURING CONSTRUCTION BY THE CONTRACTOR WHICH WERE DOCUMENTED AND FURNISHED TO THE ENGINEER FOR THE PURPOSE OF PREPARING THESE RECORD DRAWINGS. FIELD INSPECTION OF CONSTRUCTION WAS PERFORMED BY OTHERS. TO THE BEST OF OUR KNOWLEDGE AND UNDERSTANDING THESE RECORD DRAWINGS REPRESENT THE "AS-BUILT" CONDITIONS.
 4. REVISED FOR FIELD CHANGES AND ADJUSTMENTS MADE DURING CONSTRUCTION BY THE CONTRACTOR WHICH WERE DOCUMENTED AND FURNISHED TO THE ENGINEER FOR THE PURPOSE OF PREPARING THESE RECORD DRAWINGS. FIELD INSPECTION OF CONSTRUCTION WAS PERFORMED BY OTHERS. TO THE BEST OF OUR KNOWLEDGE AND UNDERSTANDING THESE RECORD DRAWINGS REPRESENT THE "AS-BUILT" CONDITIONS.