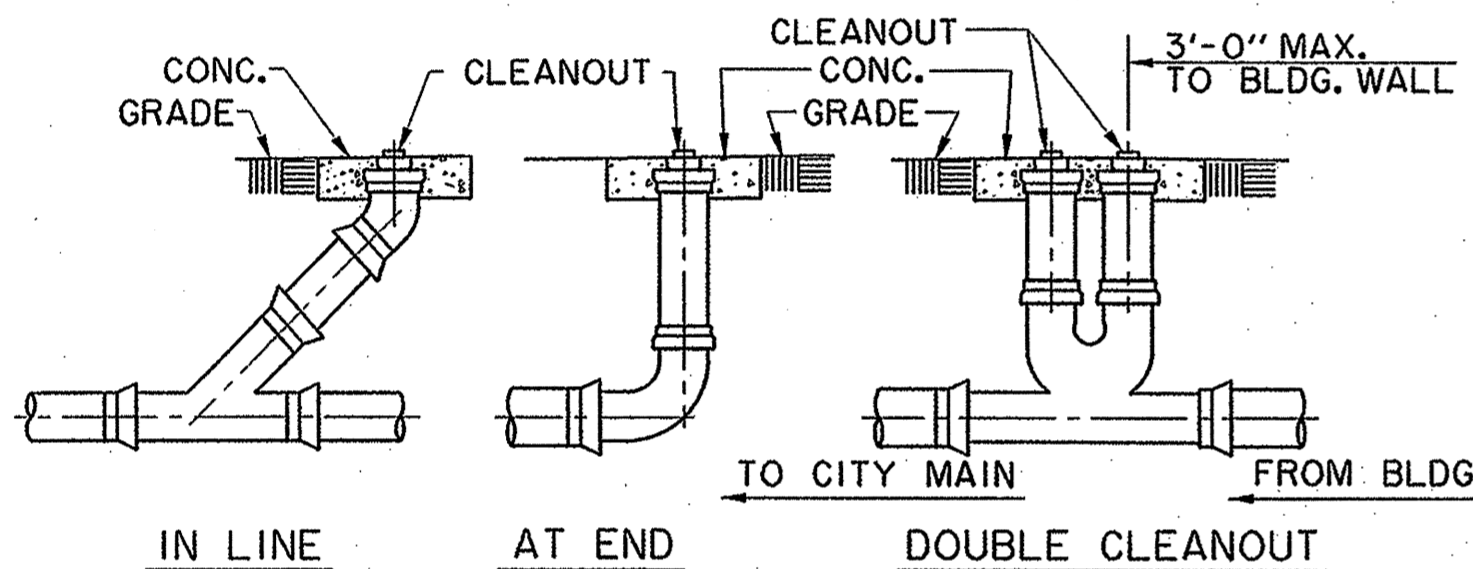


**SANITARY SEWER CLEANOUT DETAIL**  
NTS

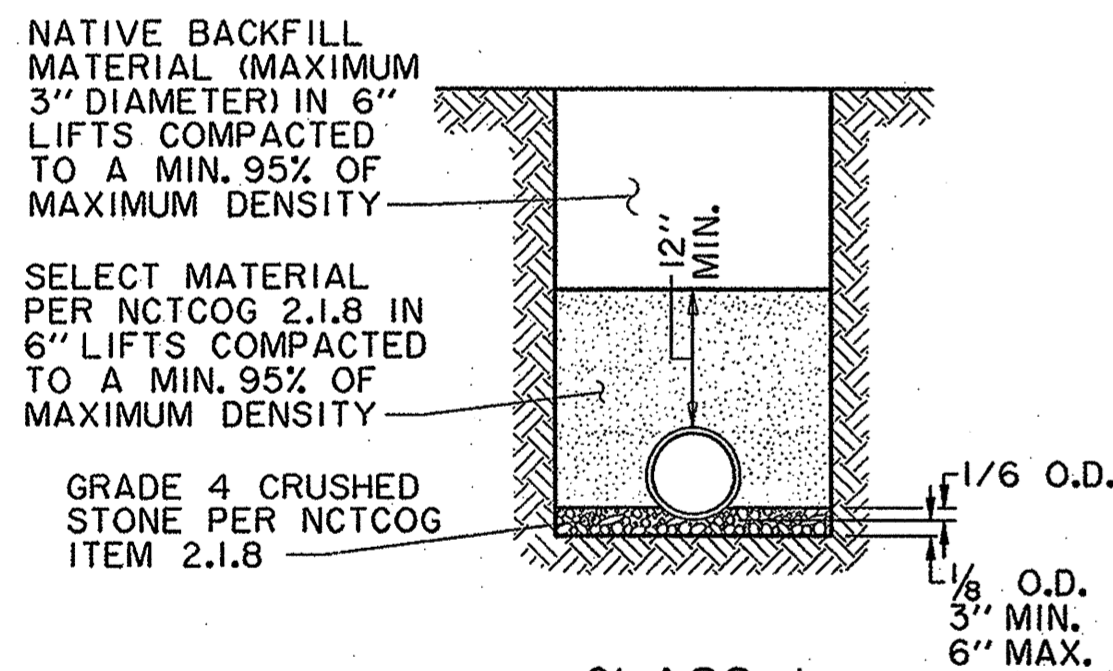
PVC SANITARY SEWER PIPE TO BE SDR 35 OR SDR 26 (AS NOTED ON PLANS) WITH INTEGRAL BELL. IT SHALL BE THE RESPONSIBILITY OF THE CONTRACTOR TO FIELD LOCATE HORIZONTALLY EACH SERVICE IN RELATION TO THE SANITARY SEWER STATIONING.

FIELD TIES ARE TO BE INCLUDED & RECORDED ON ALUMINIZED SANITARY SEWER TAPE. THIS TAPE, GREEN OR RED IN COLOR IS TO BE ATTACHED TO THE 6" SERVICE AT THE R.O.W. LINE AND BROUGHT TO THE SURFACE TO BE USED AS A PERMANENT MARKER.

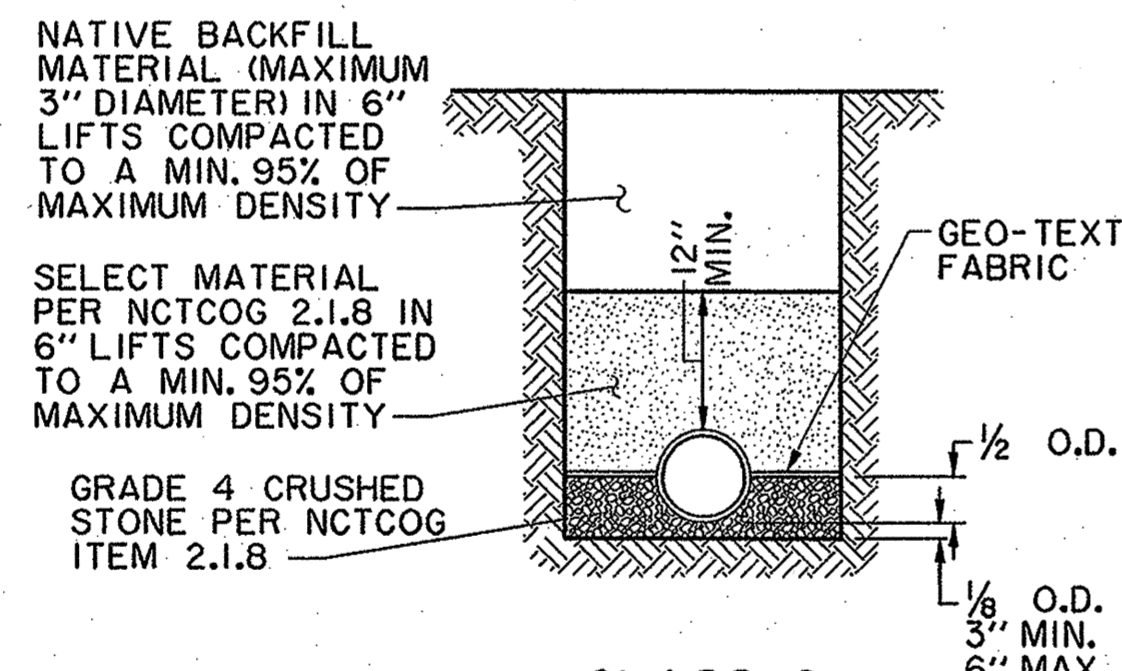


**TYPICAL CLEANOUTS**

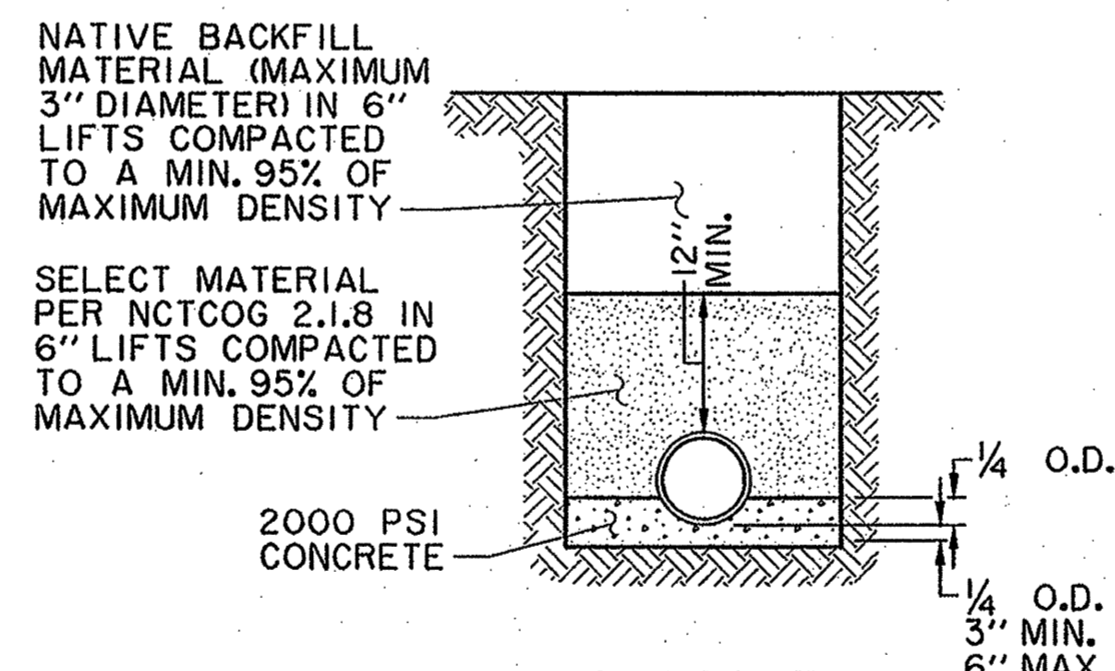
USE CLASS 2 EMBEDMENT UNLESS OTHERWISE NOTED



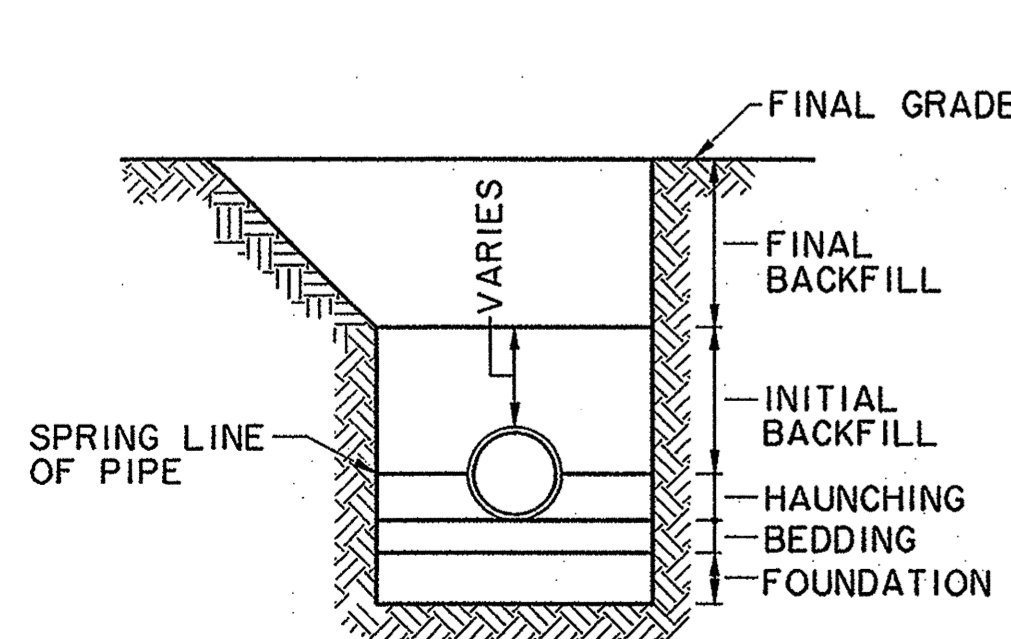
**CLASS 1 EMBEDMENT**  
LOAD FACTOR = 1.5  
NTS.



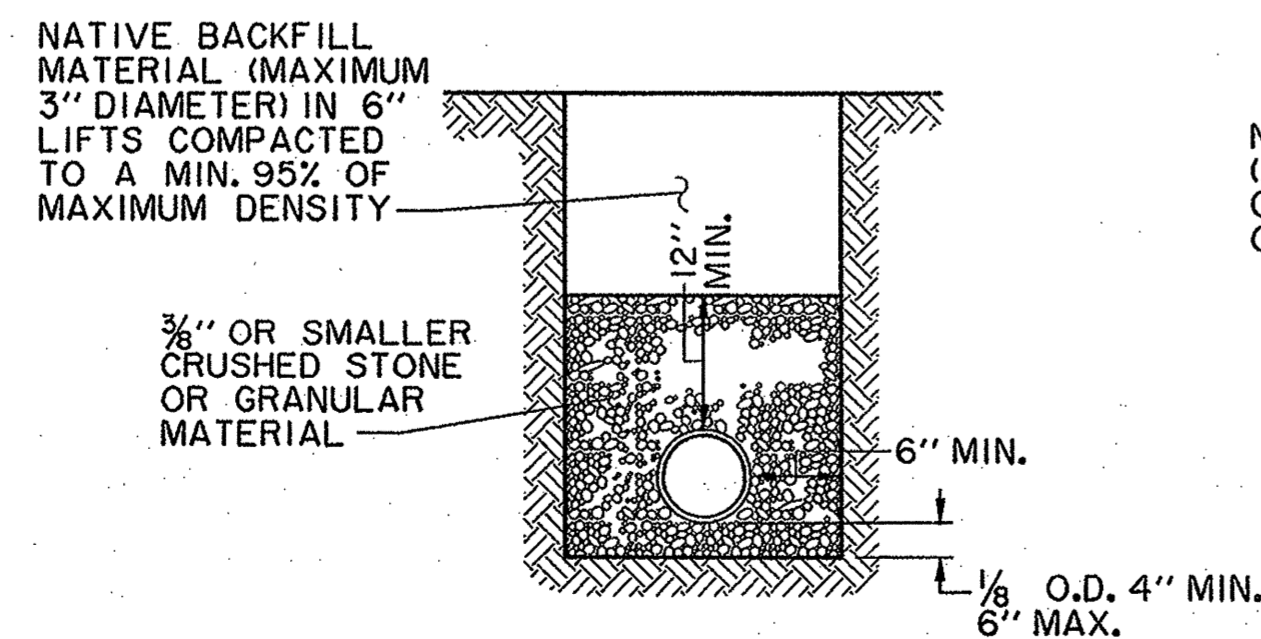
**CLASS 2 EMBEDMENT**  
LOAD FACTOR = 1.9  
NTS.



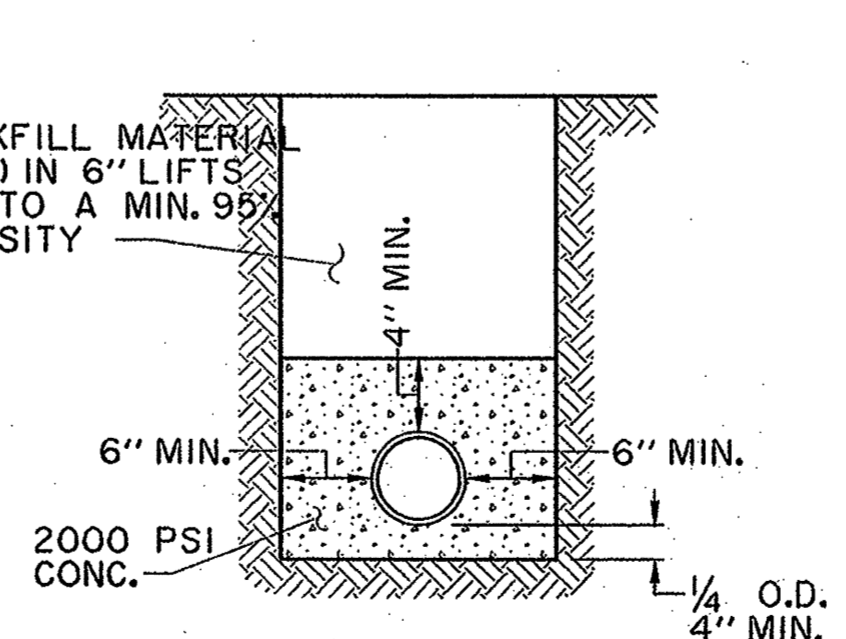
**CLASS 3 EMBEDMENT**  
LOAD FACTOR = 2.8  
NTS.



**EMBEDMENT ZONES**  
NTS

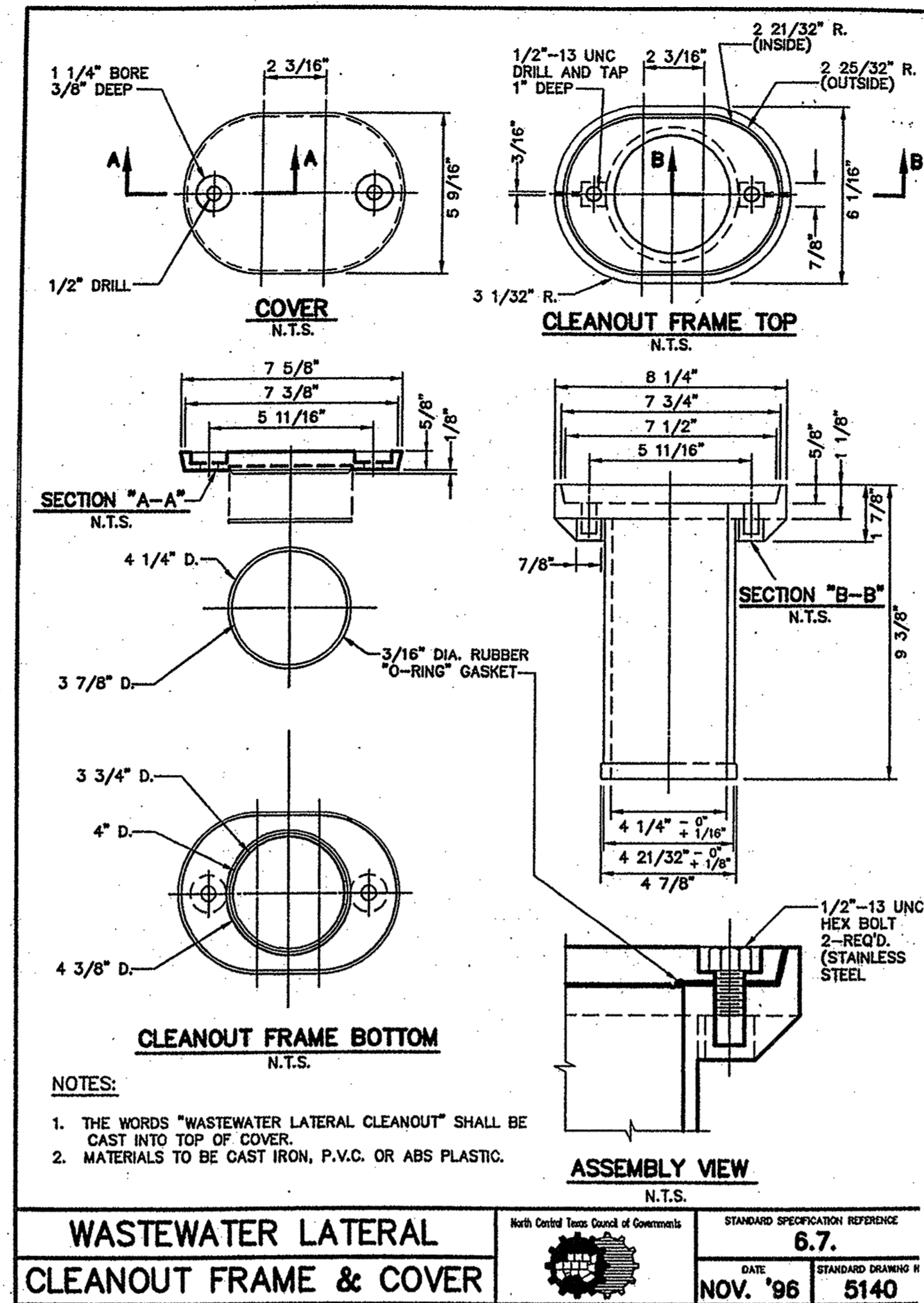


**CLASS 4 EMBEDMENT**  
(SDR35 AND SDR26 P.V.C. PIPE ONLY)  
LOAD FACTOR = 2.0  
NTS



**CONCRETE ENCASEMENT**  
LOAD FACTOR = 4.2  
NTS.

TYPICAL NATIVE MATERIAL COMPACTED TO:  
95% OF STANDARD PROCTOR DENSITY @ OPTIMUM MOISTURE 0 TO +3% UNDER PVMT.  
95% OF STANDARD PROCTOR DENSITY @ OPTIMUM MOISTURE 0 TO +3% OUTSIDE CURB LINES JETTING IS NOT ALLOWED BACKFILL TO BE COMPACTED IN 6"+/- LIFTS  
TYPICAL NATIVE MATERIAL (MAX. 3" DIA.)



**EMBEDMENT DETAILS FOR SANITARY SEWER**

TABLE OF QUANTITIES OF 2000 psi CONCRETE, GRAVEL OR CRUSHED STONE IN CUBIC YARDS PER 100 LINEAR FEET FOR EACH CLASS EMBEDMENT

TABLE OF QUANTITIES PER 100 LINEAR FEET REINFORCED CONCRETE PIPE							
SIZE OF PIPE IN INCHES I.D.	O.D. OF PIPE IN INCHES	TRENCH WIDTH IN INCHES	TRENCH WIDTH IN FEET	CLASS 1 EMBEDMENT CRUSHED STONE	CLASS 2 EMBEDMENT CONCRETE	CLASS 3 EMBEDMENT CONCRETE	CONCRETE ENCASEMENT
12	16.00	32	2.67	4.1	6.5	4.8	15.8
15	19.50	36	3.00	4.8	7.8	6.4	19.2
18	23.00	39	3.25	5.7	9.2	8.2	21.2
21	26.50	43	3.58	6.9	11.0	10.2	24.9
24	30.00	46	3.83	8.3	13.1	12.4	28.7
27	33.50	51	4.25	10.3	16.1	14.4	32.8
30	37.00	57	4.75	12.7	20.1	17.0	34.8
33	40.50	62	5.17	15.1	23.8	19.3	39.2
36	44.00	67	5.58	18.0	28.6	22.1	43.8

TABLE OF QUANTITIES PER 100 LINEAR FEET-PVC PIPE (IN CUBIC YARDS)					
SIZE OF PIPE IN INCHES I.D.	O.D. OF PIPE IN INCHES	TRENCH WIDTH IN INCHES	TRENCH WIDTH IN FEET	CLASS 4 EMBEDMENT CRUSHED STONE	CONCRETE ENCASEMENT
6	6.28	24	2.00	8.0	11.7
8	8.16	24	2.00	8.7	12.4
10	10.20	26	2.18	10.2	14.2
12	12.24	28	2.35	11.7	15.9
16	15.30	31	2.61	14.0	18.8
24		36	3.0		
30		42	3.5		



**RECORD DRAWING**  
THIS DRAWING HAS BEEN MODIFIED FROM THE ORIGINAL TO SHOW ONLY THE FIELD CHANGES AND ADJUSTMENTS MADE DURING CONSTRUCTION BY THE CONTRACTOR WHICH WERE DOCUMENTED AND FURNISHED TO THE ENGINEER FOR THE PURPOSE OF PREPARING THESE RECORD DRAWINGS. FIELD INSPECTION OF CONSTRUCTION WAS PERFORMED BY OTHERS. TO THE BEST OF OUR KNOWLEDGE AND UNDERSTANDING THESE RECORD DRAWINGS REPRESENT THE "AS-BUILT" CONDITIONS.

WASTEWATER DETAILS							
QUORUM DRIVE							
TOWN OF ADDISON, TEXAS							
Hull - Zellers, Inc. 3131 McKinney Ave., Suite 600, Dallas, TX 75204 Phone (214) 871-3311/Fax (214) 871-0757							
DESIGN	CHECKED	APPR.	SCALE	DATE	PROJECT NO.	NO.	
HZ1	HZ1		N.T.S.	01/15/09		C170	