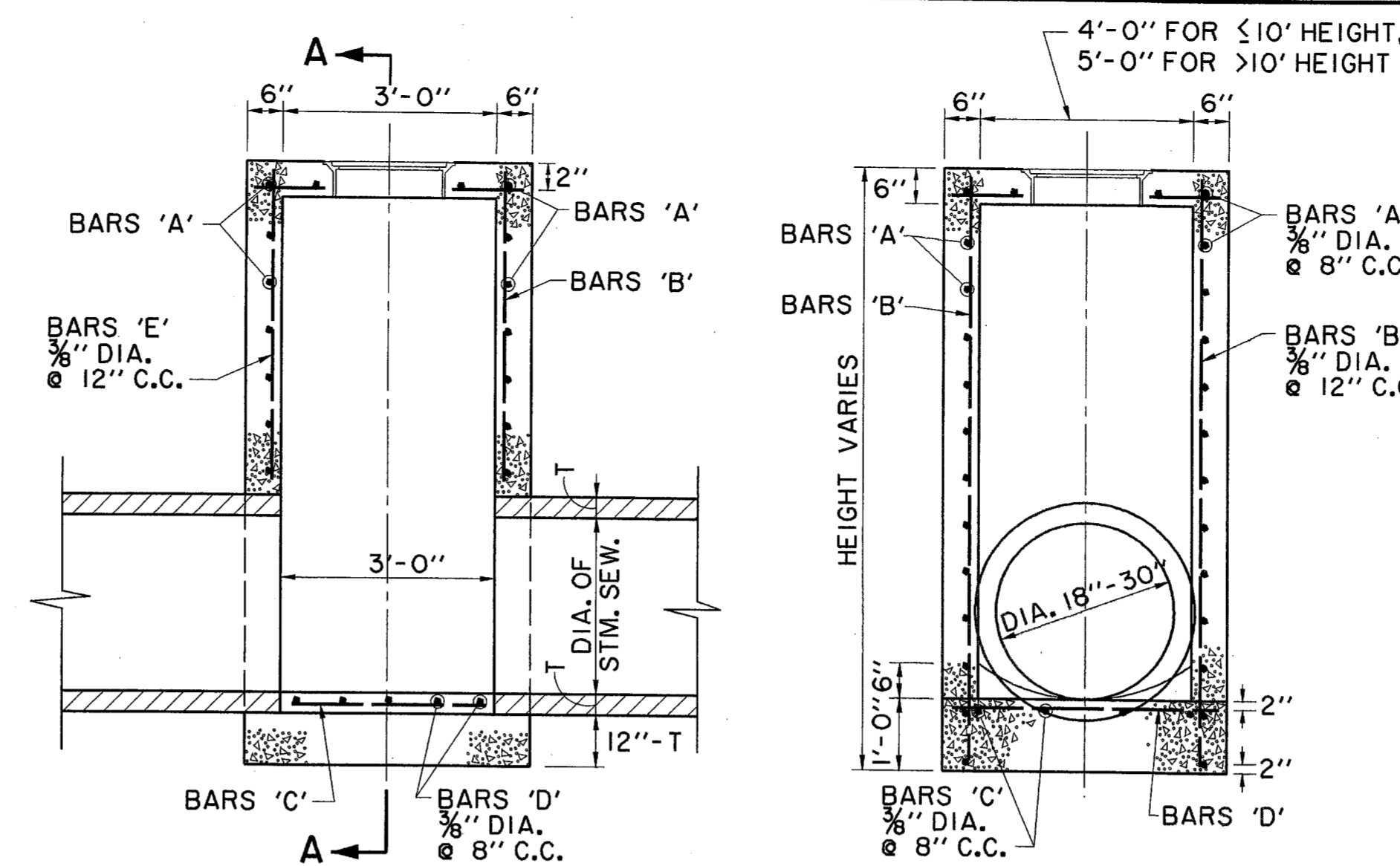


NOTE: BAR DESIGNATIONS AND DIMENSIONS ARE DIFFERENT FROM STEEL SCHEDULE FOR REGULAR INLETS.



TYPE A STORM SEWER MANHOLE
(FOR PIPE 18" TO 30" IN DIAMETER)

NOTE: STRUCTURAL CONCRETE TO BE MIN. 4200 PSI UNLESS NOTED OTHERWISE

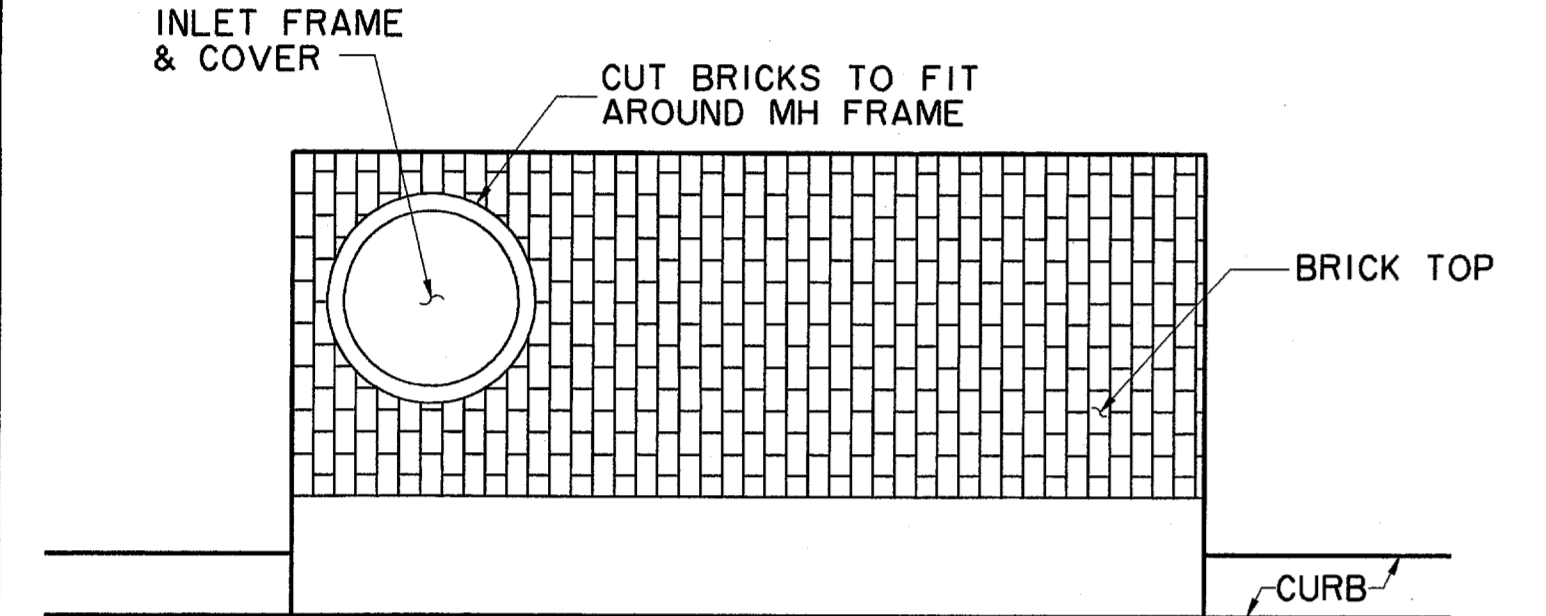
FRAME & COVER SHALL BE TO W/ ADDISON STANDARD, AT A MINIMUM USE REXUS 24" MANHOLE FRAME & COVER.

REXUS LID
PROVIDE 3/4" PREMOLDED EXPAN. JT. BETWEEN M.H. & CONC. PVMT. & SEAL WITH HOT POURED RUBBER.

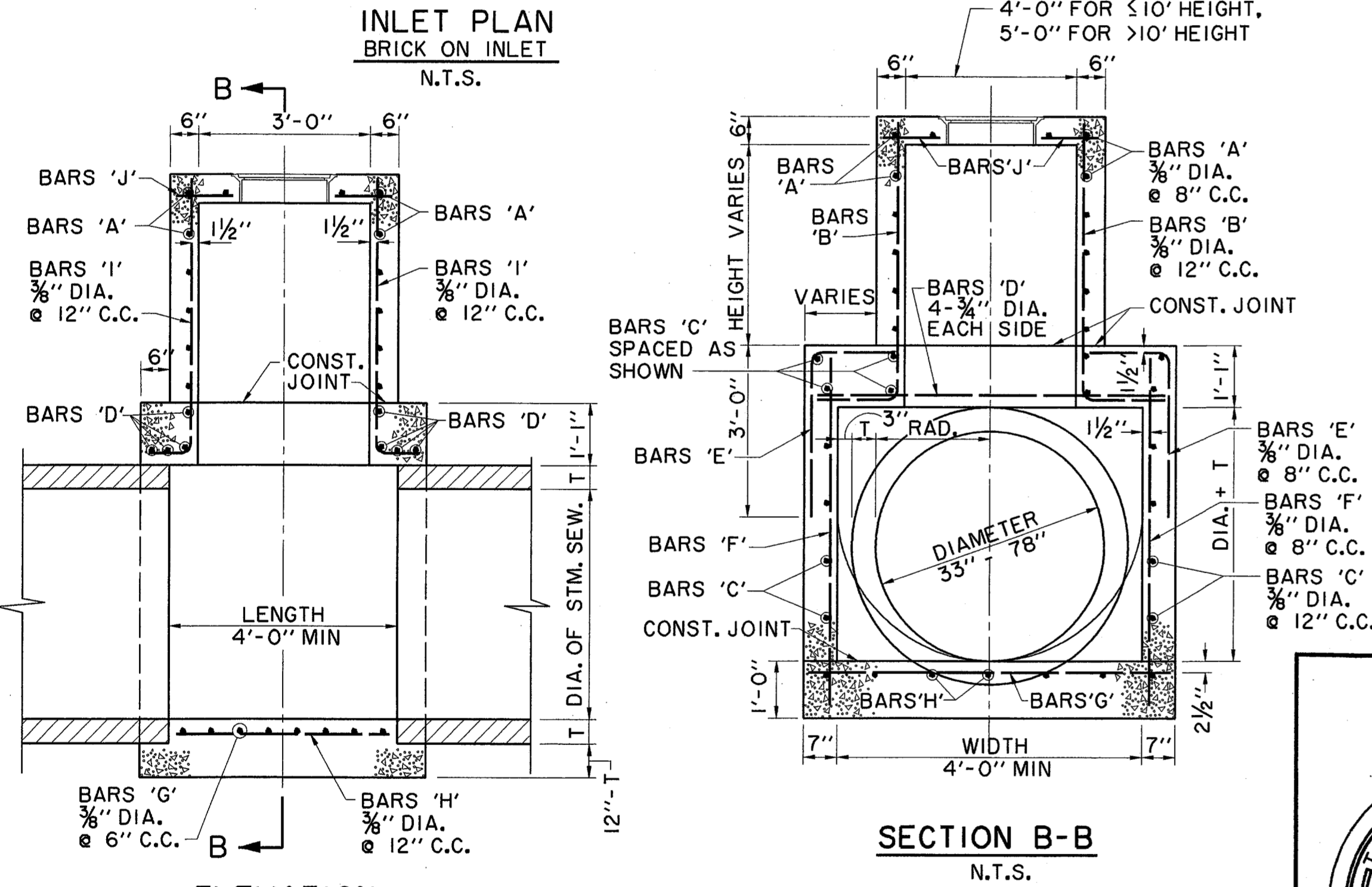
TOP PLAN TYPE A & TYPE B STORM SEWER MANHOLE

N.T.S.
NOTE MAXIMUM PIPE SIZE TO BE USED 78"

NOTE: MANHOLES & INLETS GREATER THAN 4' IN DEPTH SHALL HAVE BASS & HAYES MODEL MA STEPS OR APPROVED EQUAL

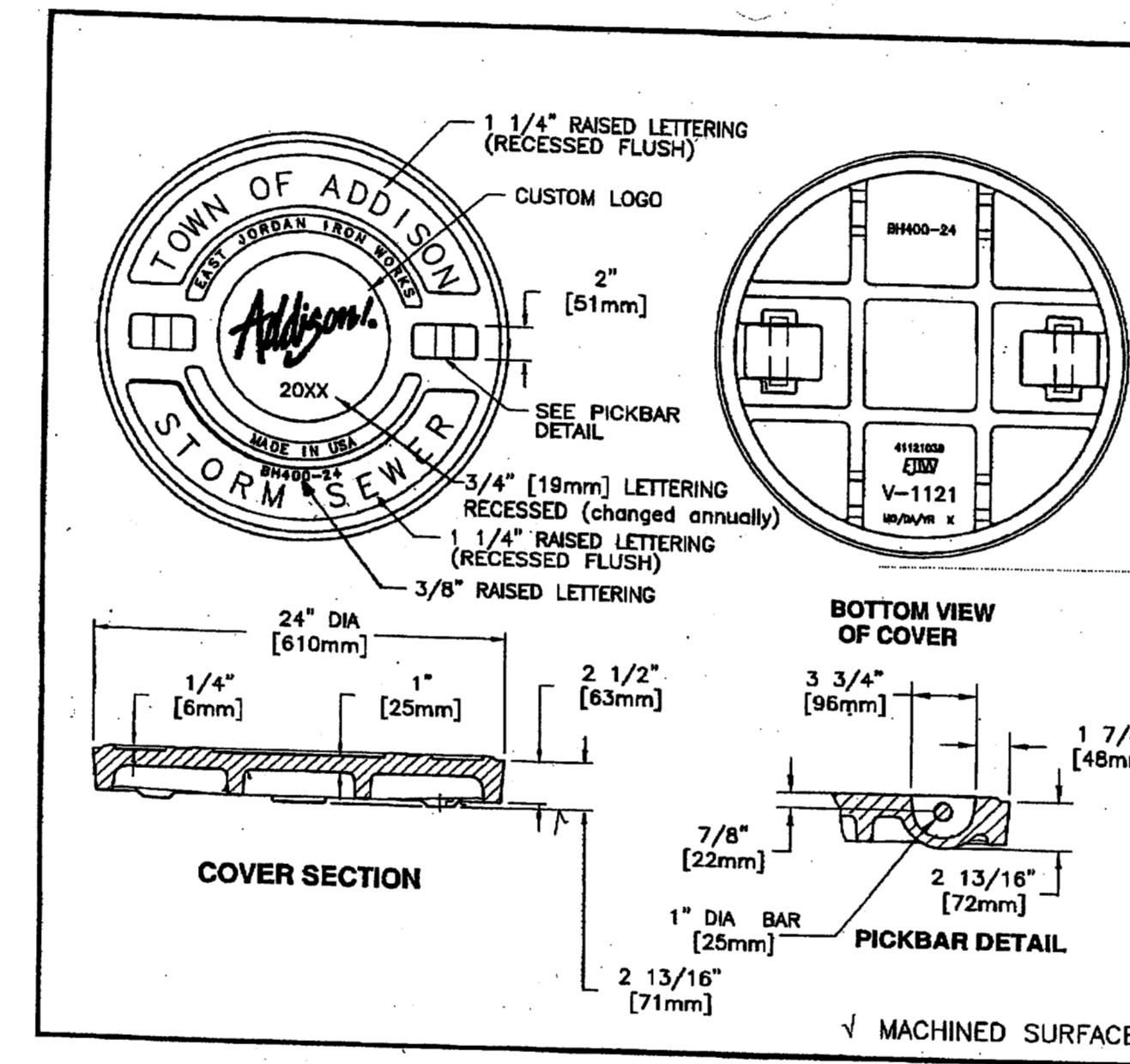
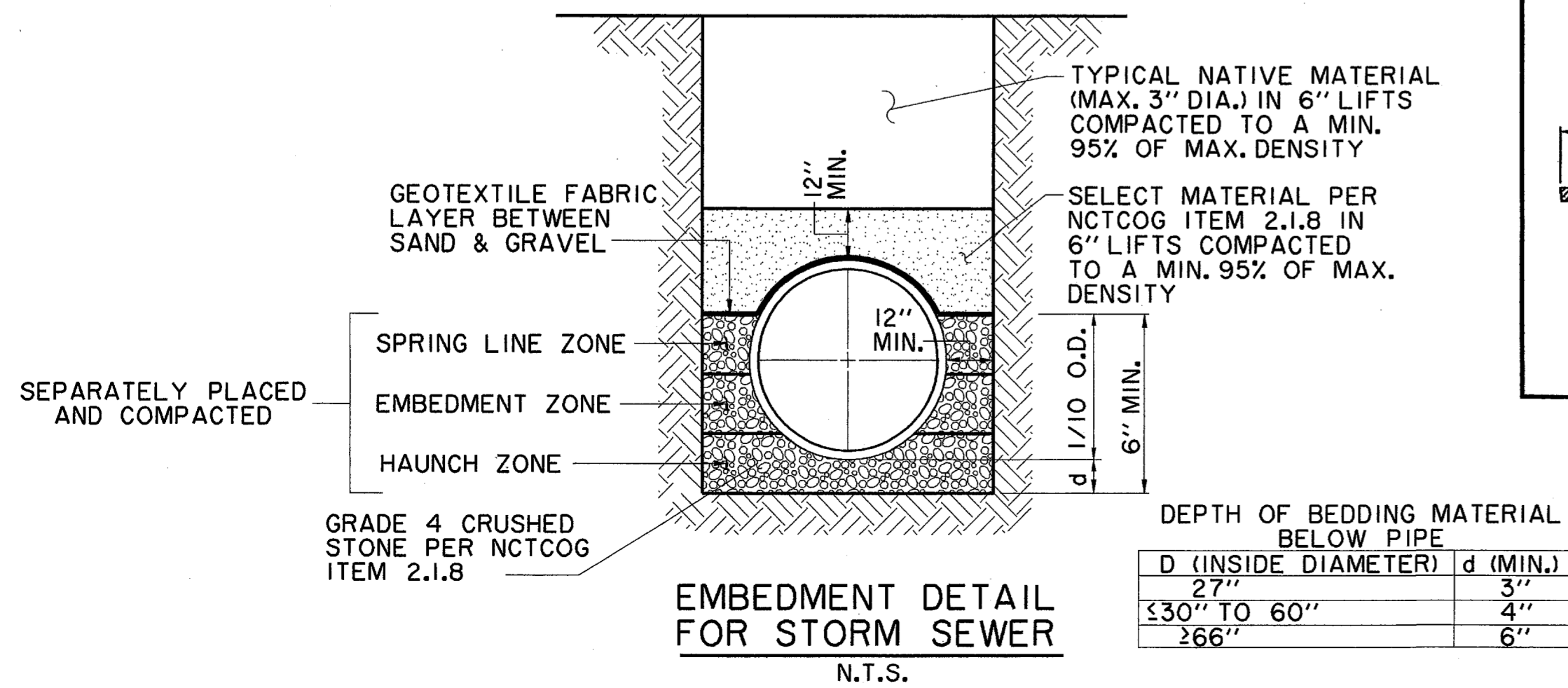


INLET PLAN BRICK ON INLET
N.T.S.

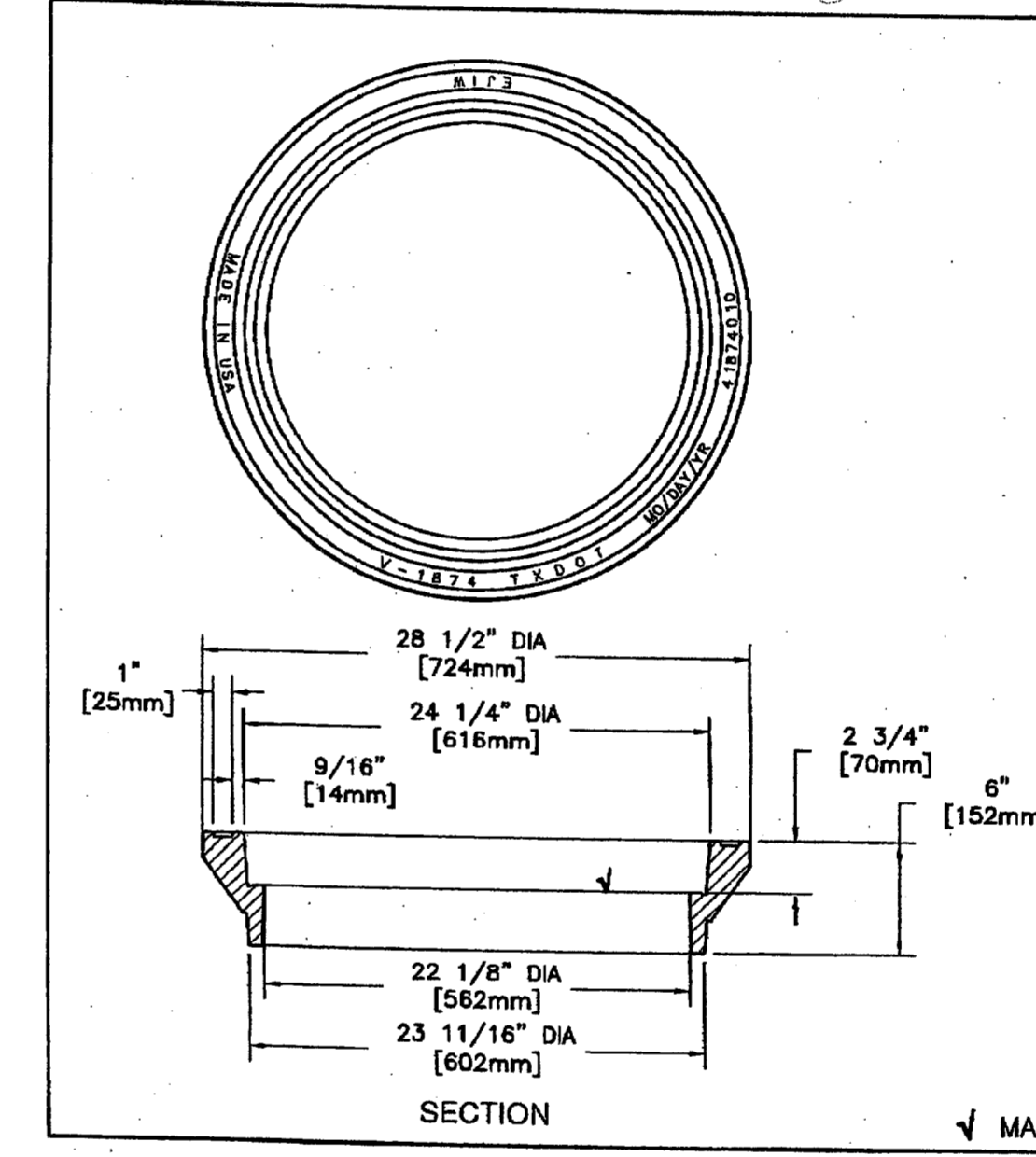


TYPE B STORM SEWER MANHOLE
(FOR PIPE 33" TO 78" IN DIAMETER)

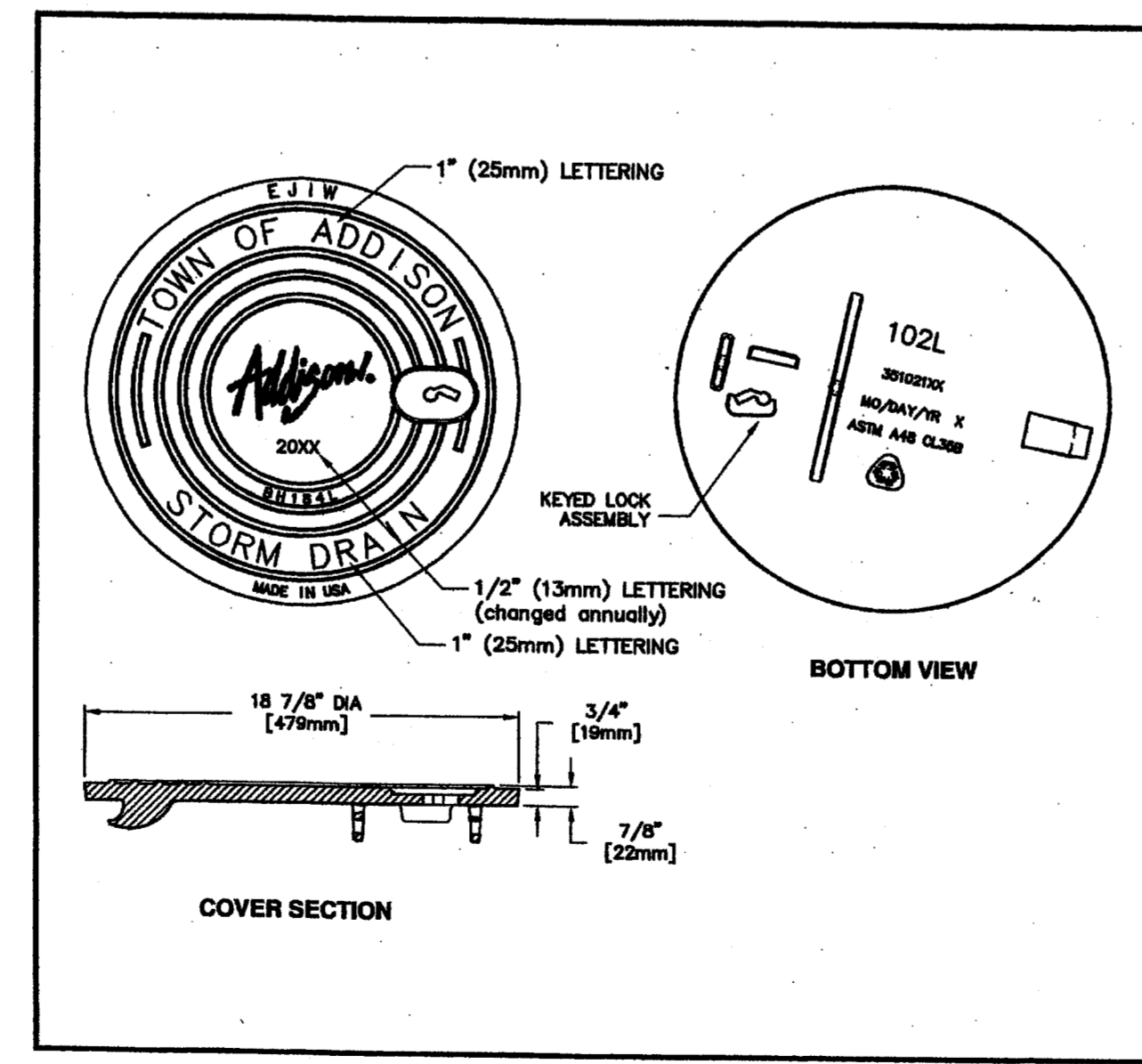
ELEVATION
N.T.S.



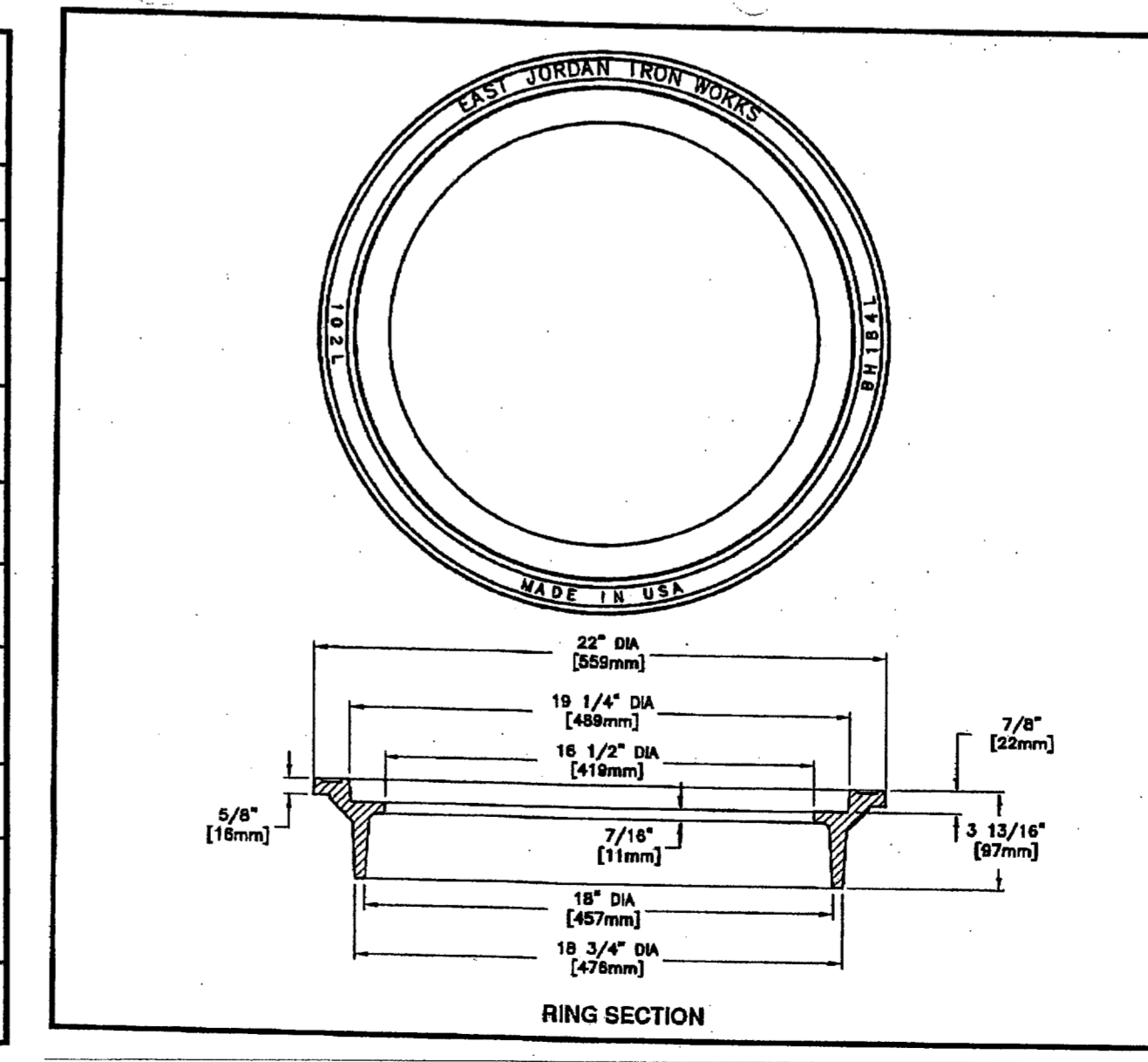
EAST JORDAN IRON WORKS, INC. P.O. BOX 439 EAST JORDAN, MI. 48727 1-800-874-4100 FAX: 231-536-4458	
DRAWN SMH	DATE 02/09/04
APPROVED	DATE
COVER	
PRODUCT NO.	
CATALOG NO.	V-1121
REF. PRODUCT DRAWING	
EST. WT.	COVER: 188 LBS 85kg
OPEN AREA	N/A
MATL. SPEC.	COVER - GRAY IRON ASTM A48 CL35B
LOAD RATING	HEAVY DUTY



EAST JORDAN IRON WORKS, INC. P.O. BOX 439 EAST JORDAN, MI. 48727 1-800-874-4100 FAX 231-536-4458	
DRAWN SBB	DATE 08/21/01
APPROVED	DATE
MANHOLE FRAME	
PRODUCT NO.	41874010
CATALOG NO.	V-1874
REF. PRODUCT DRAWING	41874010
EST. WT.	RING: 185 LBS 84kg
OPEN AREA	N/A
MATL. SPEC.	RING - GRAY IRON ASTM A48 CL35
LOAD RATING	HEAVY DUTY

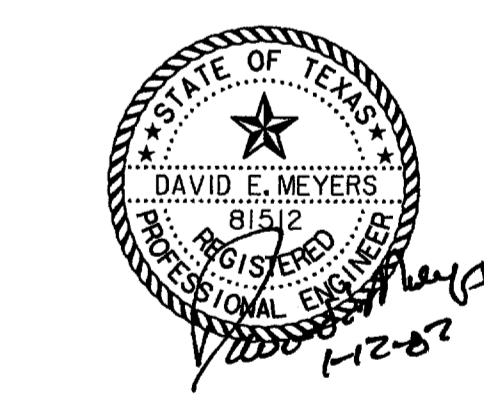


EAST JORDAN IRON WORKS, INC. P.O. BOX 439 EAST JORDAN, MI. 48727 1-800-874-4100 FAX 231-536-4458	
DRAWN SMH	DATE 10/29/04
APPROVED	DATE
102 L COVER	
PRODUCT NO.	NCR04-2138B
CATALOG NO.	102 L
REF. PRODUCT DRAWING	35102108
EST. WT.	COVER: 50 LBS 25kg
OPEN AREA	N/A
MATL. SPEC.	COVER - CAST IRON ASTM A48 CL35B
LOAD RATING	LIGHT DUTY



EAST JORDAN IRON WORKS, INC. P.O. BOX 439 EAST JORDAN, MI. 48727 1-800-874-4100 FAX 231-536-4458	
DRAWN SMH	DATE 10/04/01
APPROVED	DATE
102L INLET RING	
PRODUCT NO.	35202000
CATALOG NO.	102L
REF. PRODUCT DRAWING	35202000
EST. WT.	FRAME: 50 LBS 23kg
OPEN AREA	N/A
MATL. SPEC.	RING - GRAY IRON ASTM A48 CL35
LOAD RATING	HEAVY DUTY

NOTE:
ALL INLET & MANHOLE WALLS SHALL BE FORMED. POURING AGAINST EXPOSED EARTH WILL NOT BE PERMITTED.



DATE	DESCRIPTION	REF. NO.
STORM WATER DETAILS		
QUORUM DRIVE		
TOWN OF ADDISON, TEXAS		
<small>HUFF - Zoltors, Inc. 3131 McKinney Ave., Suite 600, Dallas, TX 75204 Phone (214) 871-3311 / Fax (214) 871-0757</small>		
DESIGN	CHECKED	APPR.
SCALE	DATE	PROJECT NO.
HZI	HZI	N.T.S. 01/12/07
NO.		C13

REF. ROTATION: 90 DEGREES
 REF. ROTATION: 180 DEGREES
 REF. ROTATION: 270 DEGREES
 REF. ROTATION: 0 DEGREES
 REF. ROTATION: 45 DEGREES
 REF. ROTATION: 135 DEGREES
 REF. ROTATION: 225 DEGREES
 REF. ROTATION: 315 DEGREES