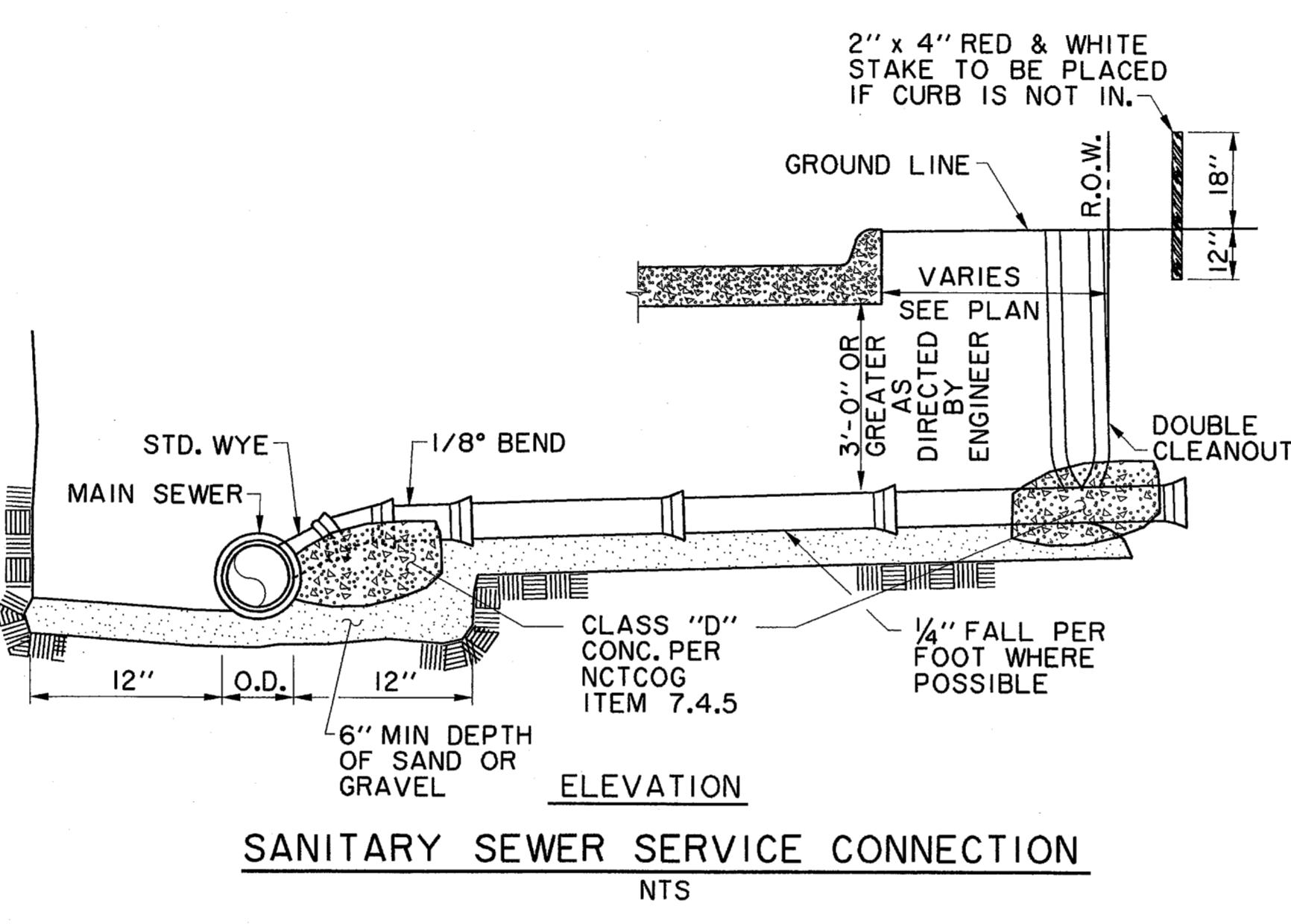
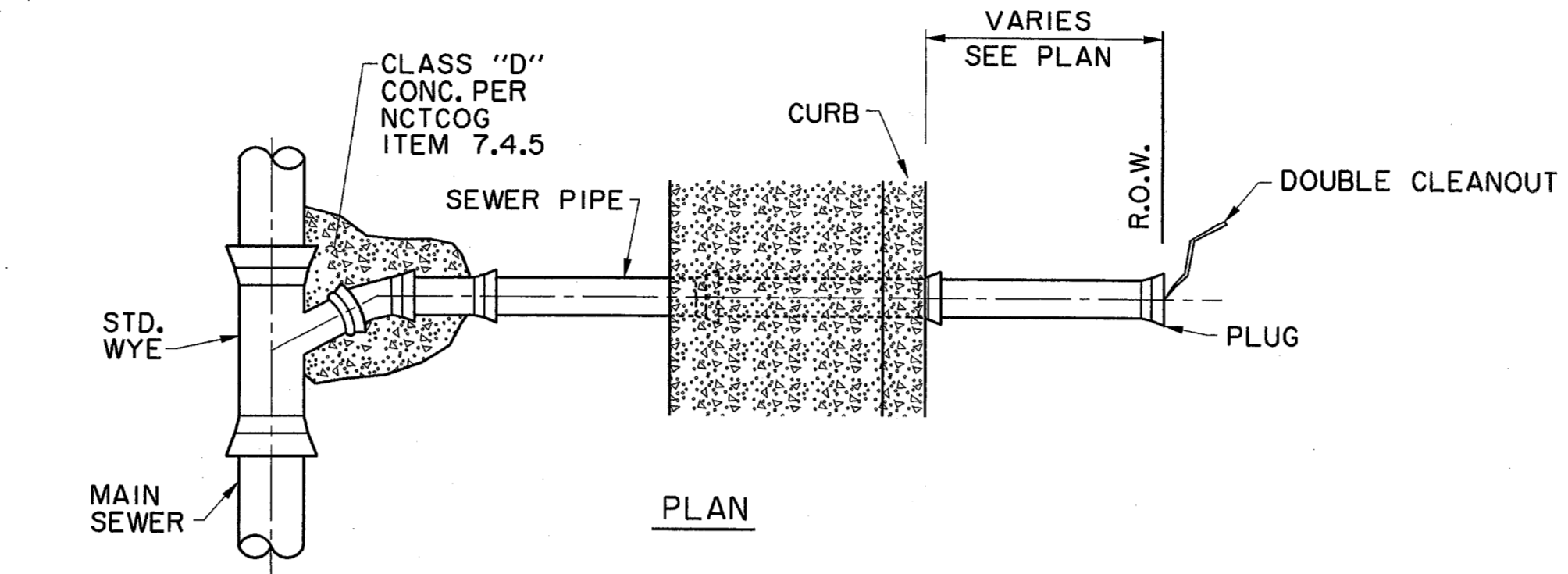
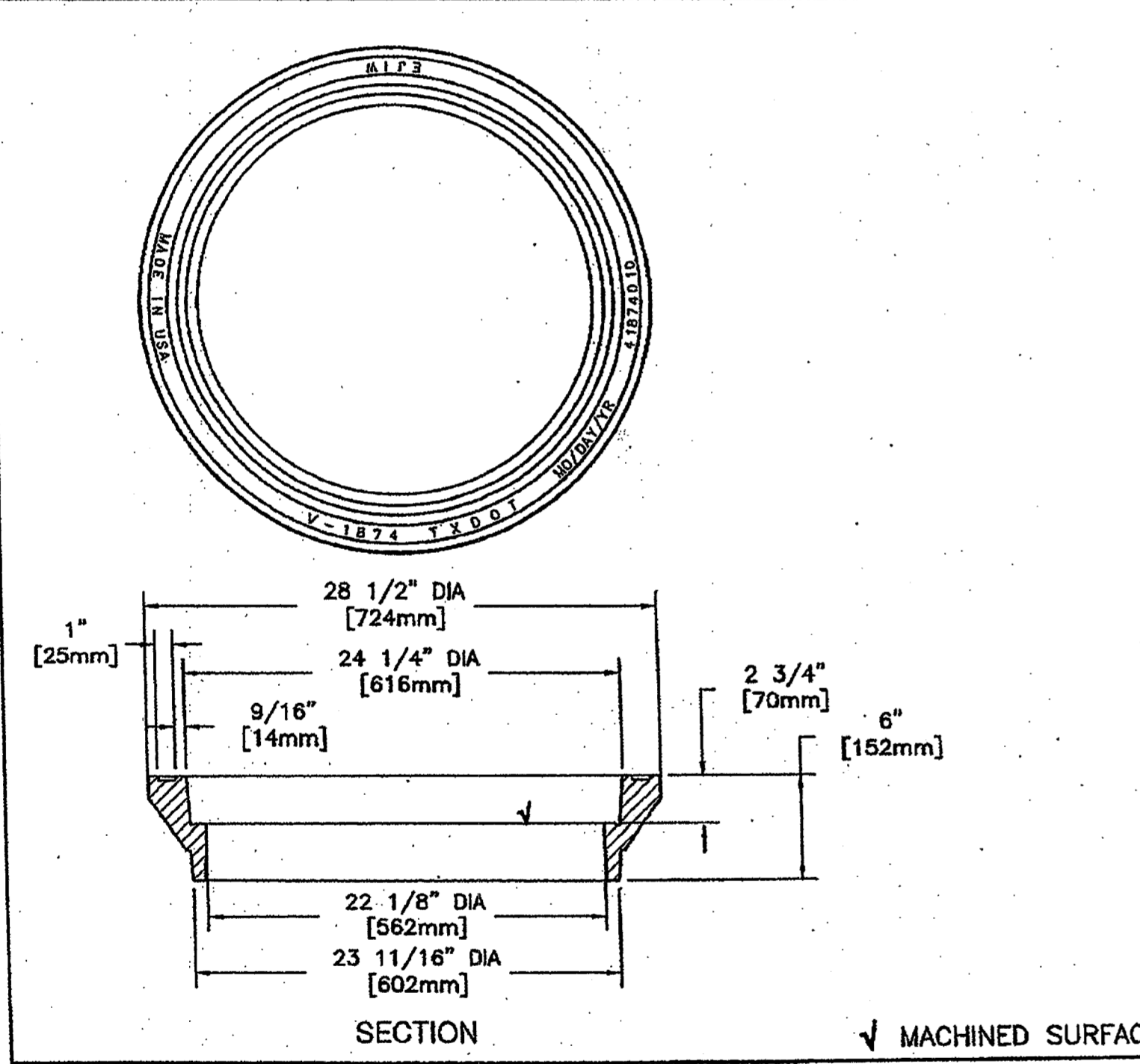
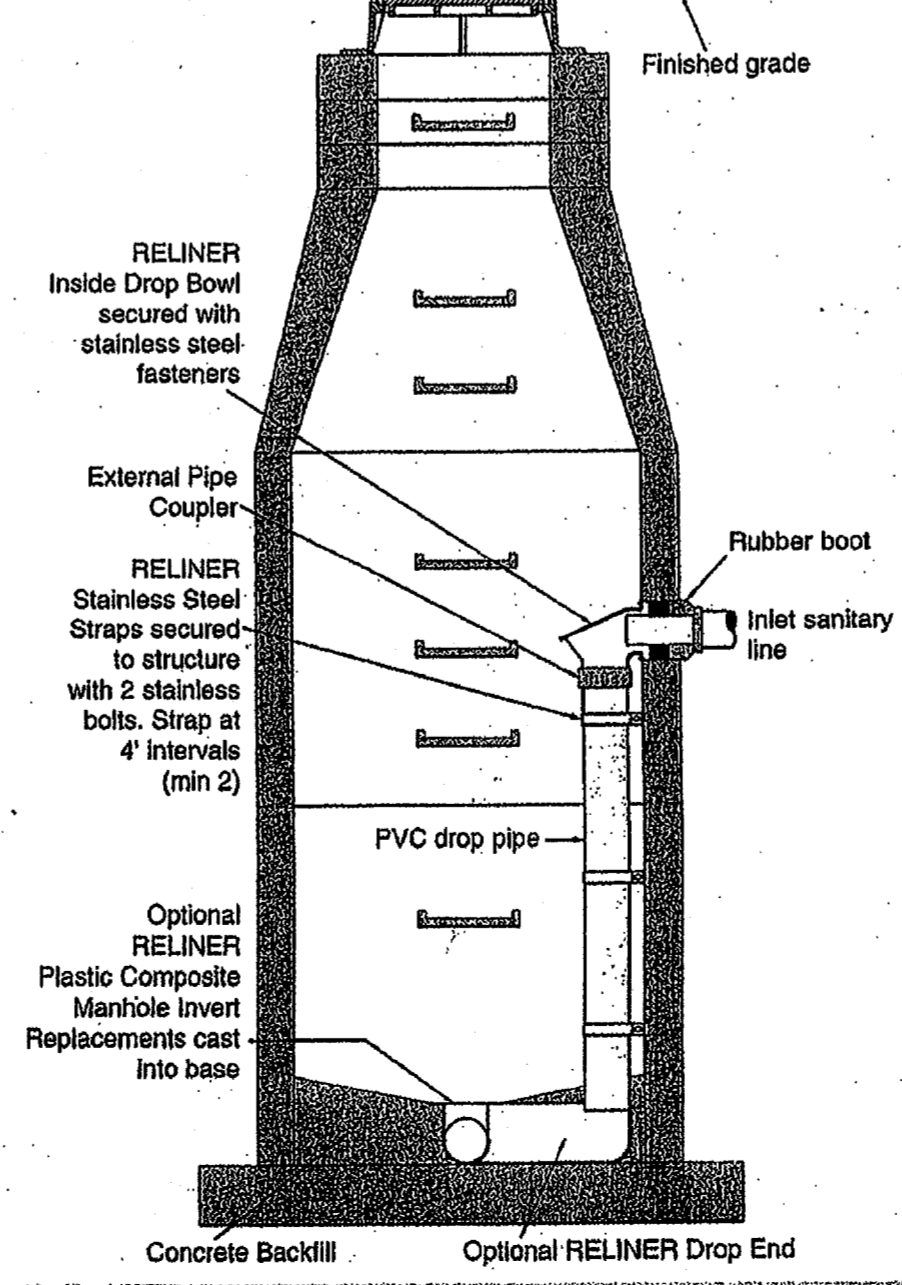


EAST JORDAN IRON WORKS, INC. P.O. BOX 439 EAST JORDAN, MI. 48727 1-800-874-4100 FAX: 231-536-4458	
DRAWN SMH	DATE 02/09/04
APPROVED	DATE
COVER	
PRODUCT NO. 41121038	
CATALOG NO. V-1121	
REF. PRODUCT DRAWING 41121038	
EST. WT. COVER: 188 LBS 85kg	
OPEN AREA N/A	
MAT'L SPEC. COVER - GRAY IRON ASTM A48 CL35B	
LOAD RATING HEAVY DUTY	

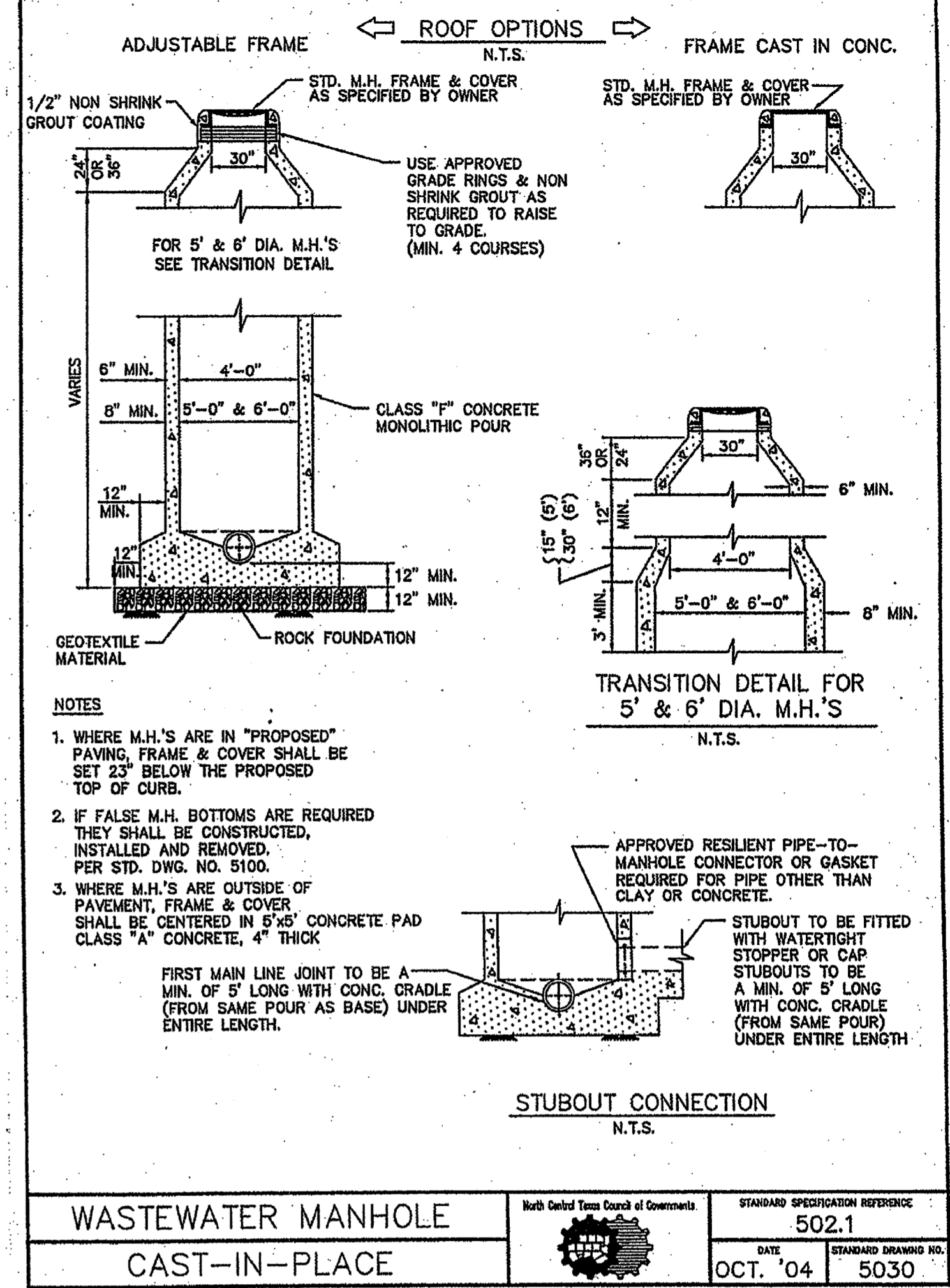


INSIDE DROP SYSTEM by RELINER® / Duran Inc.

U.S. Patents # 6074130 and 5953973. Add. Patents Pending
 STOP ENTERING YOUR MANHOLES FOR ROUTINE INSPECTION & CLEANING OF INSIDE DROPS



EAST JORDAN IRON WORKS, INC. P.O. BOX 439 EAST JORDAN, MI. 48727 1-800-874-4100 FAX: 231-536-4458	
DRAWN SBB	DATE 08/21/01
APPROVED	DATE
MANHOLE FRAME	
PRODUCT NO. 41874010	
CATALOG NO. V-1874	
REF. PRODUCT DRAWING 41874010	
EST. WT. RING: 185 LBS 84kg	
OPEN AREA N/A	
MAT'L SPEC. RING - GRAY IRON ASTM A48 CL35	
LOAD RATING HEAVY DUTY	

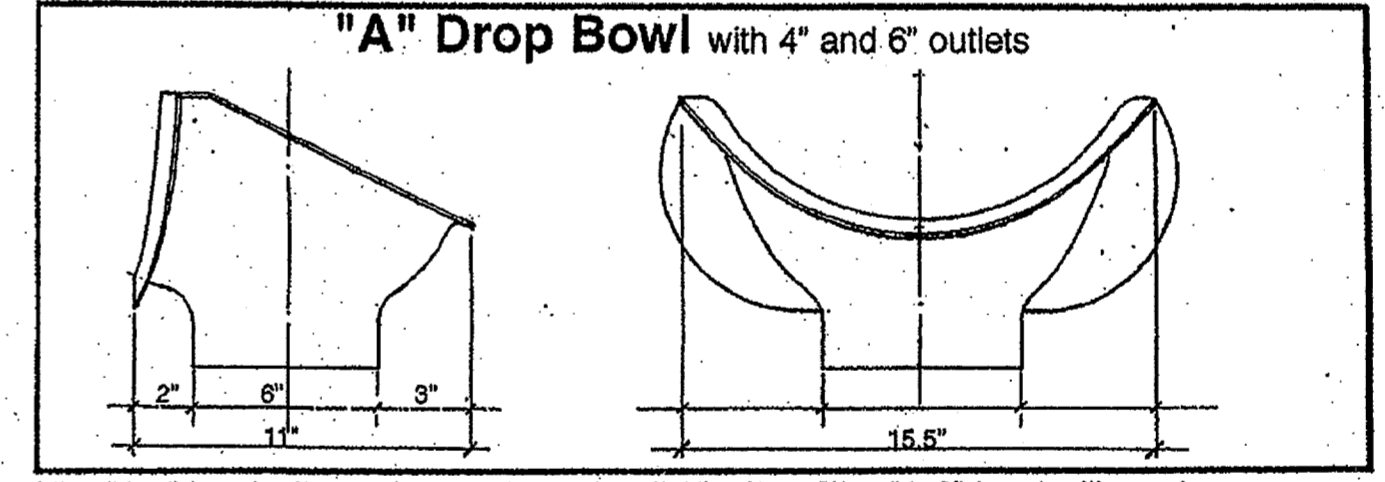


WASTEWATER MANHOLE		North Central Texas Council of Governments 	STANDARD SPECIFICATION REFERENCE 502.1
CAST-IN-PLACE			DATE OCT. '04
		STANDARD DRAWING NO. 5030	

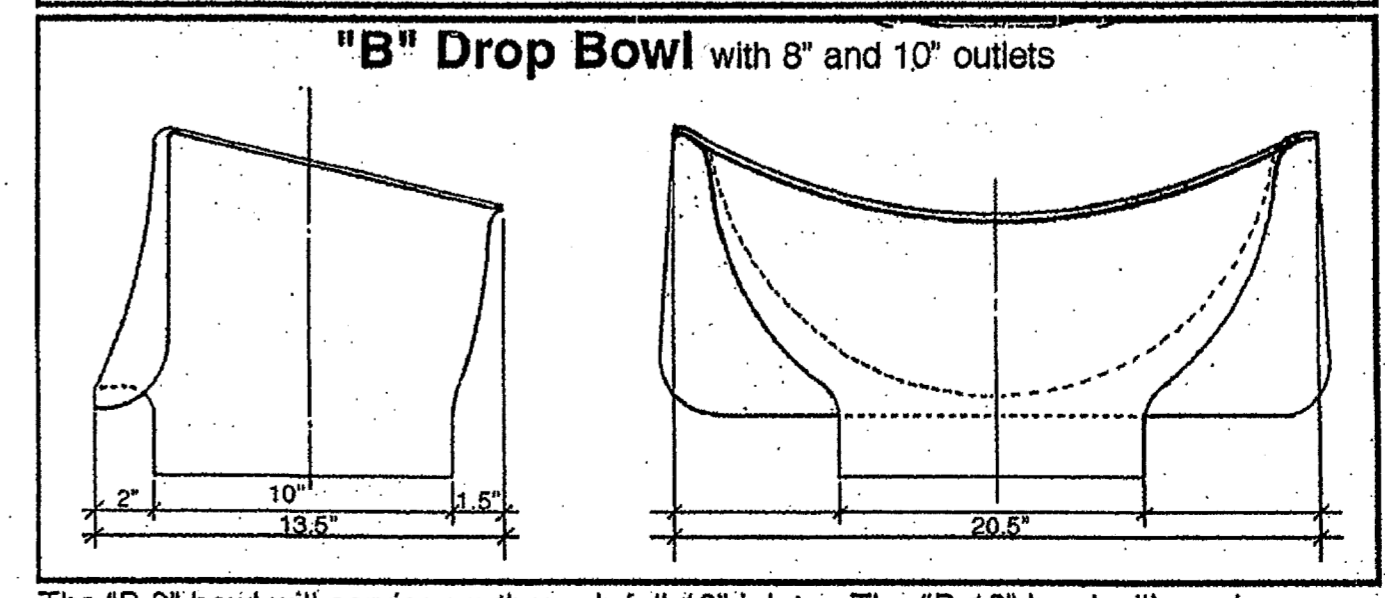
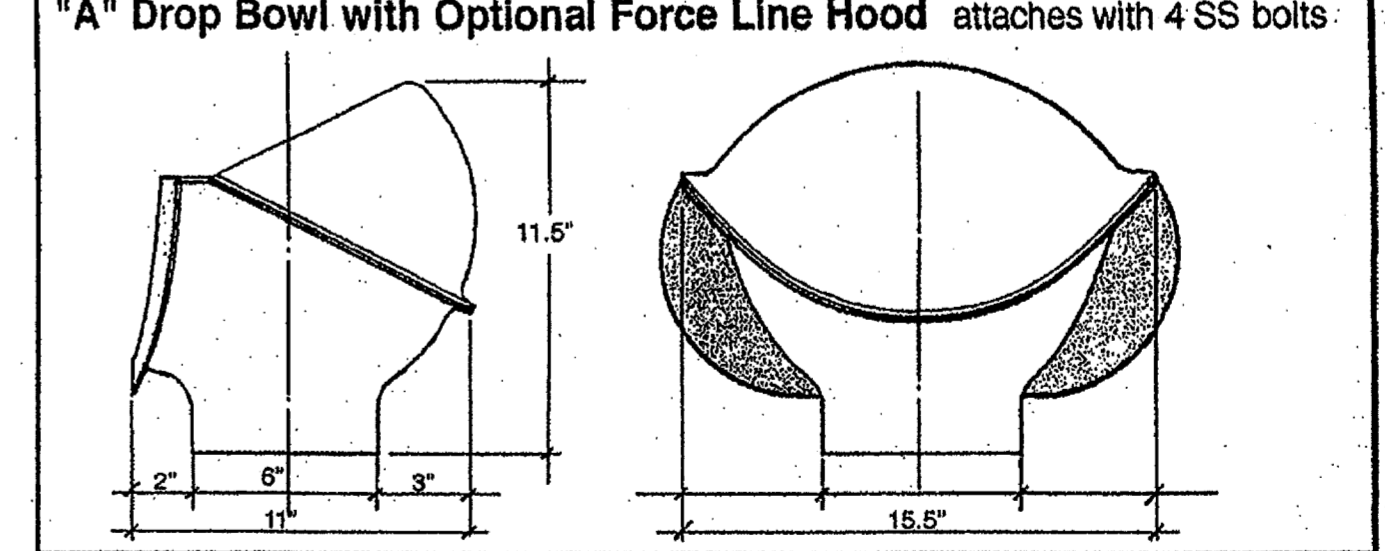
DROP BOWLS

Sanitary Manhole Inside Drop Bowl
 U.S. Patent # 6074130, Add. Patents Pending

Manufactured by:
Reliner - Duran Inc.
 53 Mt. Archer Rd. Lyme CT 06371
 800-504-8008, 860-434-3195(fax)



The "A-4" bowl will service up through full 6" inlets. The "A-6" bowl will service up through full 8" inlets. Can be used for 10" and 12" inlet moderate flows. All sizes are for retrofit or new construction-fabricated in marine grade fiberglass and finished in bright white gel coat. Larger sizes and flat wall configurations also available.



The "B-8" bowl will service up through full 10" inlets. The "B-10" bowl will service up through full 12" inlets. Can be used for 15" and 16" inlet moderate flows. Hood avail.



DATE	DESCRIPTION	REF. NO.				
WASTEWATER DETAILS						
QUORUM DRIVE						
TOWN OF ADDISON, TEXAS						
Huitt - Zottlers, Inc. 3131 McKinney Ave., Suite 600, Dallas, TX 75204 Phone (214) 871-3311/Fax (214) 871-0757						
DESIGN	CHECKED	APPR.	SCALE	DATE	PROJECT NO.	NO.
HZI	HZI		N.T.S.	01/12/07		C17