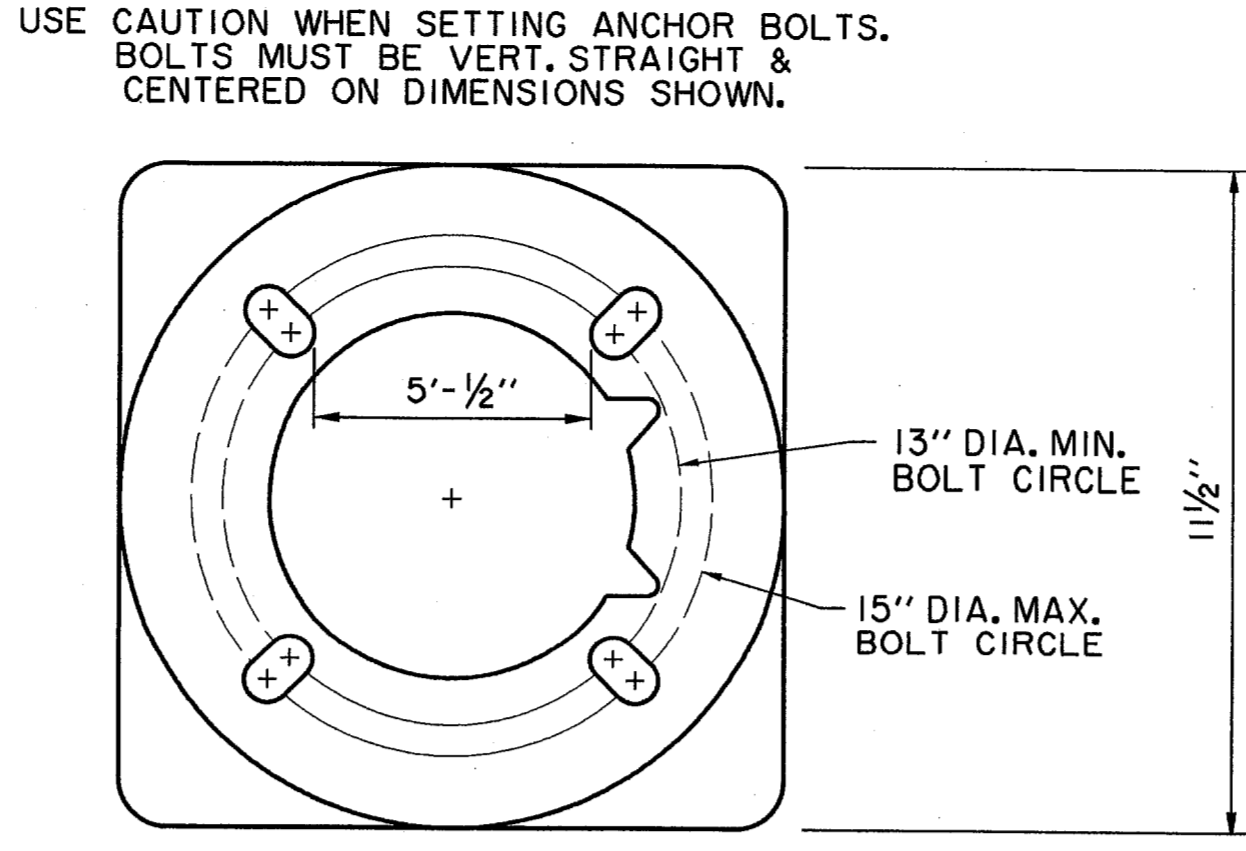
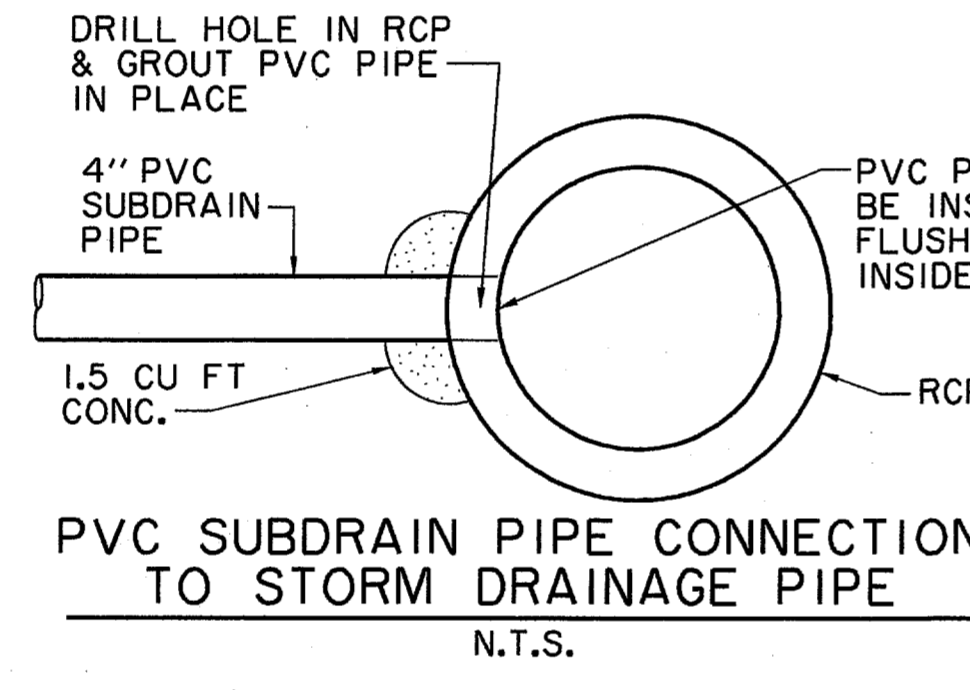
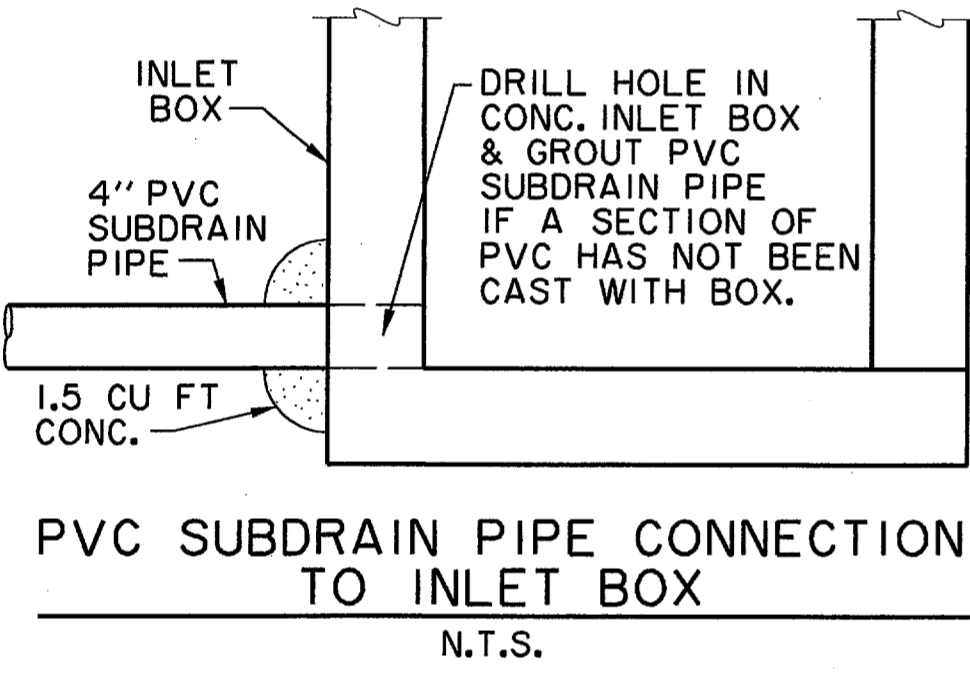
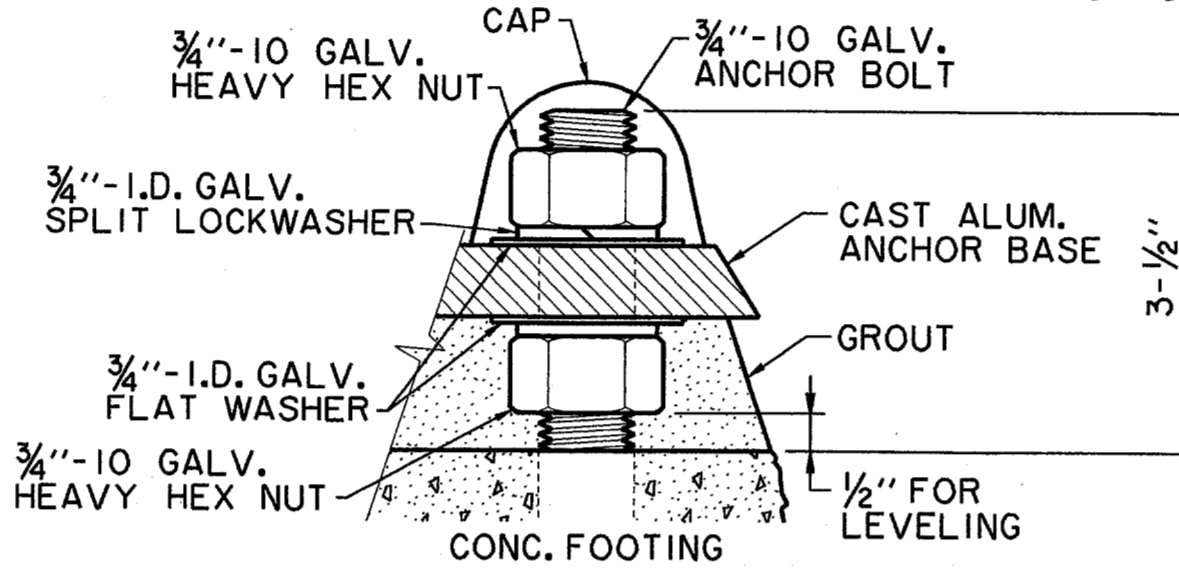


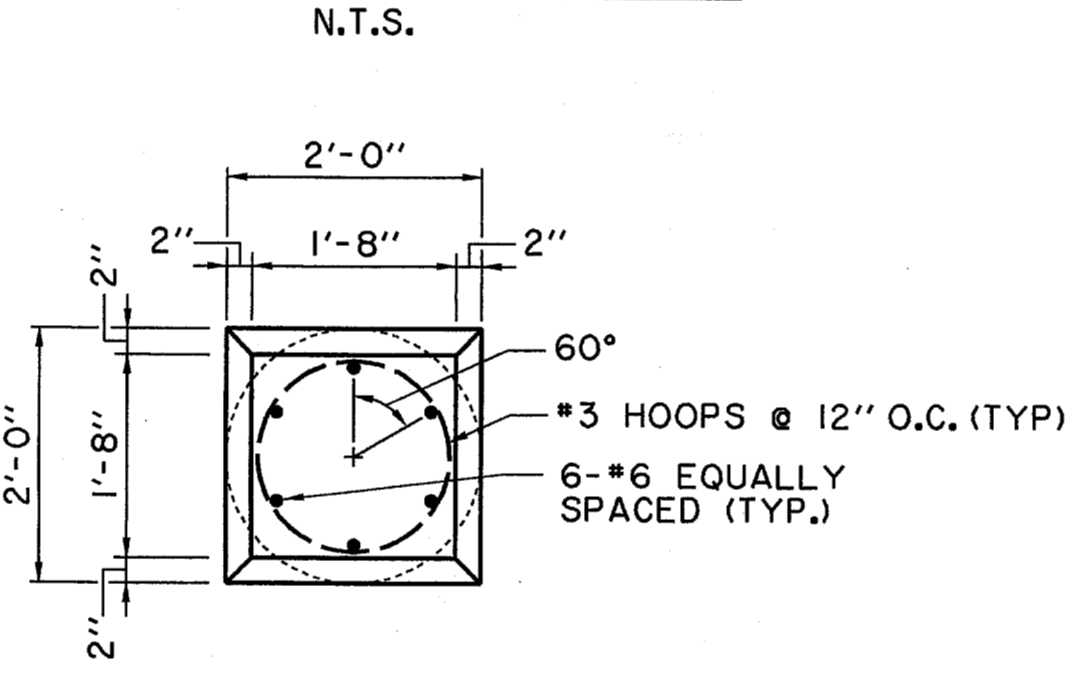
**SUBSURFACE DRAIN SYSTEM DETAIL  
(SECTION PERPENDICULAR TO CURB)**  
N.T.S.  
(TO BE USED ON ALL TREES UNLESS OTHERWISE NOTED)



**BASE ANCHOR PLATE  
(PEDESTRIAN POLE)**  
N.T.S.



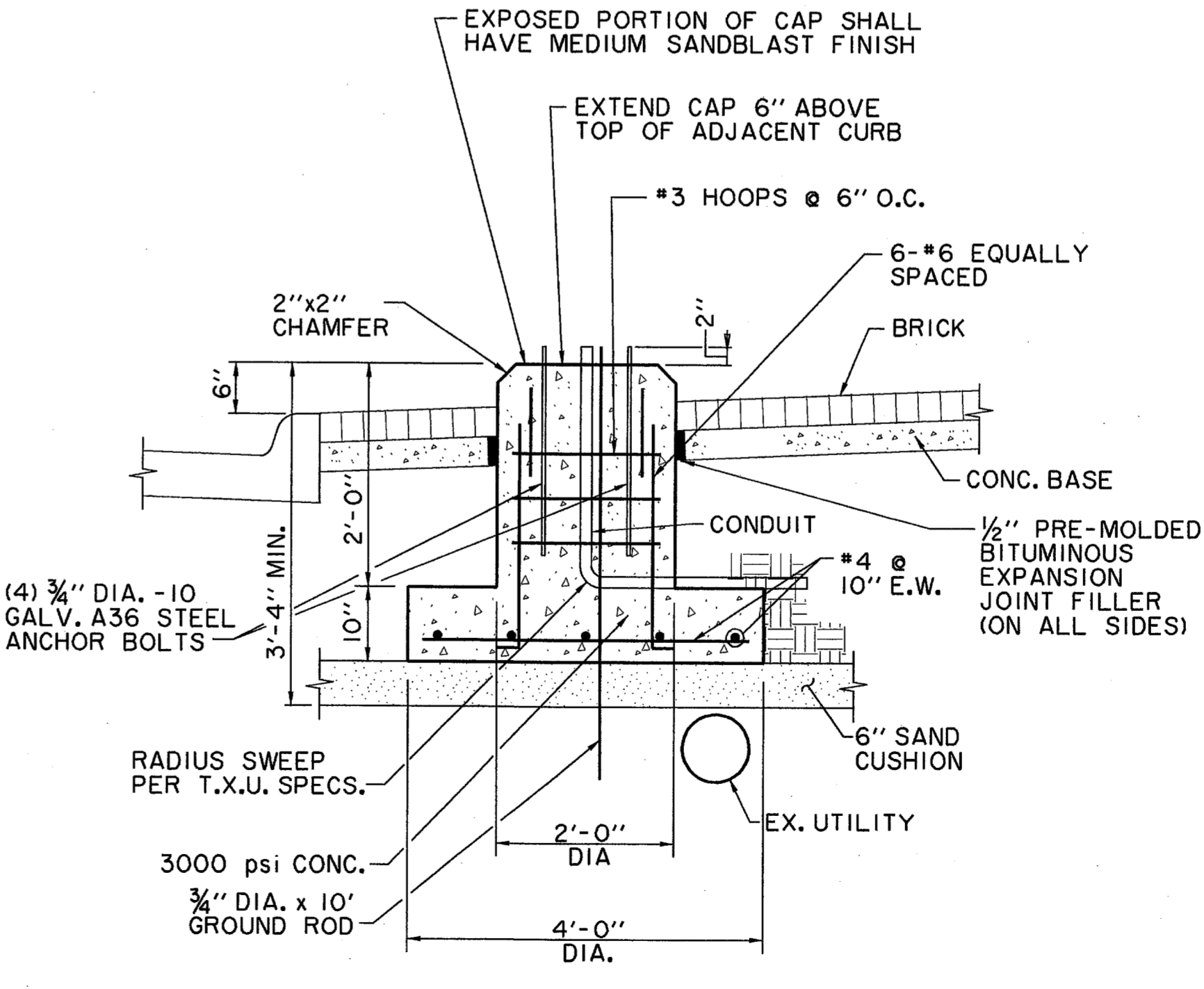
**BOLT PROJECTION DETAIL  
(PEDESTRIAN)**  
N.T.S.



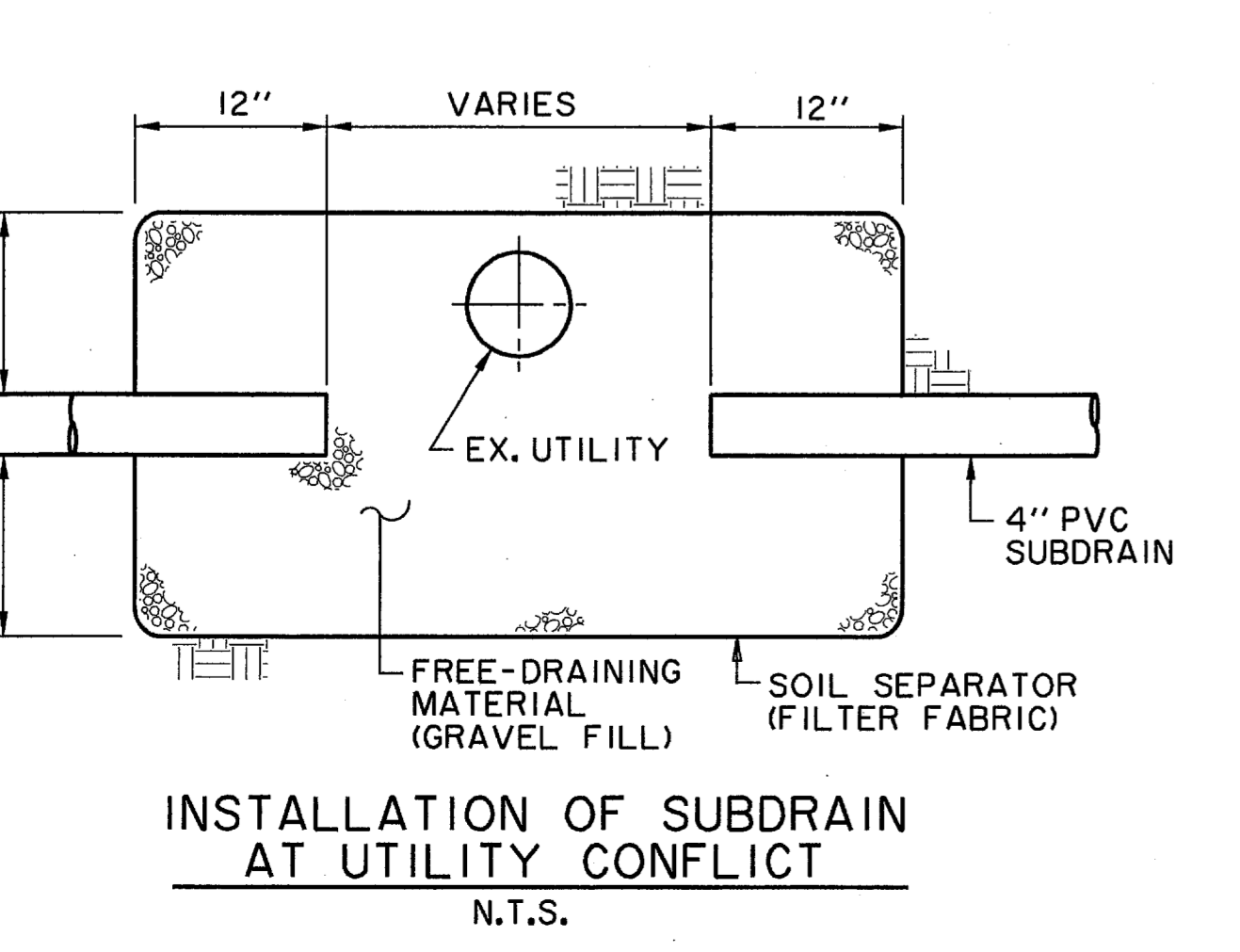
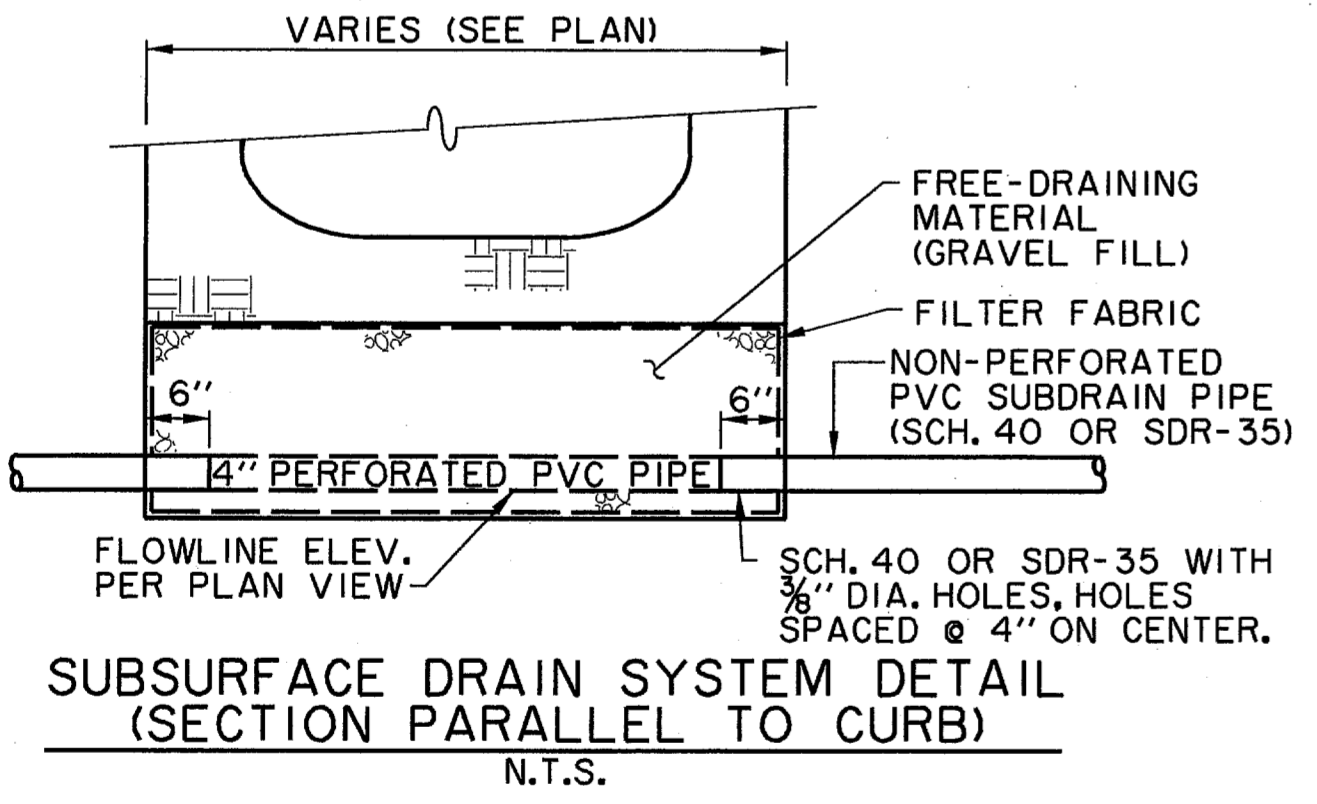
**LIGHT FIXTURE FOUNDATION AND CAP PLAN  
(PEDESTRIAN AND VEHICULAR POLE)**  
N.T.S.

**STREET LIGHTING NOTES**

1. THE PEDESTRIAN STREET LIGHTING FOR THIS PROJECT WILL CONSIST OF INSTALLATION OF 2" PVC CONDUIT, LIGHT POLE BASES, PULL BOXES (HANDHOLES) LIGHT POLES, LUMINAIRES, WIRING & CONNECTION TO POWER SOURCE AS A COMPLETE SYSTEM PER DETAILED SPECIFICATIONS.
2. ALL STREET LIGHTING CONDUIT IS TO BE INSTALLED WITH A MIN. OF 24 INCHES OF COVER TO THE TOP OF THE PIPE FROM FINISHED PVMT. TO AVOID CONFLICT WITH IRRIGATION LINES WHICH WILL BE @ 12" & 18" DEPTH. CONDUIT SHOULD BE NO DEEPER THAN 36" TO AVOID CONFLICT WITH OTHER UTILITIES.
3. FOR THE PURPOSES OF COORDINATION, PEDESTRIAN LIGHTS TO BE INTALLED PER THE STREETScape PLANS FOR THIS PROJECT WILL BE THE FOLLOWING:  
**SEE SHEET C200 FOR POLE TYPES.**  
THIS POLE WILL BE INSTALLED WITH A 175 WATT METAL HALIDE BEGA 9801 ED-17MH/120V FIXTURE AND LUMINAIRE.  
POLES WILL BE PRIMED AND PAINTED AT THE FACTORY.
4. LOCATIONS OF ANY STREET LIGHTS MAY NOT BE ALTERED WITHOUT PERMISSION FROM THE ENGINEER.
5. THE LETTER "C" SHALL BE STAMPED OR CHISELED ON CURB AT ALL LOCATIONS OF CONDUIT UNDER STREETS, DRIVES AND INTERSECTIONS.



**ALTERNATE PEDESTRIAN LIGHT FIXTURE FOOTING  
AT UTILITY CONFLICT**  
N.T.S.



**INSTALLATION OF SUBDRAIN  
AT UTILITY CONFLICT**  
N.T.S.



DATE	DESCRIPTION	REF. NO.				
<b>STREETScape DETAILS</b>						
<b>QUORUM DRIVE</b>						
<b>TOWN OF ADDISON, TEXAS</b>						
<small>HUNT - Zoltors, Inc. 3131 McKinney Ave., Suite 500, Dallas, TX 75204 Phone (214) 871-3311 / Fax (214) 871-0757</small>						
DESIGN	CHECKED	APPR.	SCALE	DATE	PROJECT NO.	NO.
HZI	HZI		N.T.S.	02/21/07		<b>C9</b>